



US00D807570S

(12) **United States Design Patent** (10) **Patent No.:** **US D807,570 S**
Klus (45) **Date of Patent:** **** Jan. 9, 2018**

(54) **HOUSING FOR AN LED-BASED LIGHTING APPARATUS**

(71) Applicant: **Sylwester Klus**, Kamionka (PL)

(72) Inventor: **Sylwester Klus**, Kamionka (PL)

(**) Term: **15 Years**

(21) Appl. No.: **29/566,267**

(22) Filed: **May 27, 2016**

(51) **LOC (11) Cl.** **26-05**

(52) **U.S. Cl.**
USPC **D26/138**

(58) **Field of Classification Search**
USPC D26/76, 78, 79, 80, 81, 82, 83, 85, 86,
D26/88, 90, 113, 118, 119, 120, 121, 122,
D26/138, 139, 140, 141, 142, 152
CPC F21S 2/00; F21S 4/00; F21S 4/003; F21S
4/005; F21S 4/006; F21S 4/007; F21S
4/008; F21S 6/00; F21S 8/00; F21S
8/024; F21S 8/026; F21S 8/031; F21S
8/033; F21S 8/035–8/037; F21S 8/04;
F21S 8/043; F21S 8/063
See application file for complete search history.

(56) **References Cited**

U.S. PATENT DOCUMENTS

- 3,302,350 A * 2/1967 Brown E04F 19/0436
174/101
D246,929 S * 1/1978 Win D26/152
D246,930 S * 1/1978 Win D26/152
D393,083 S * 3/1998 Caltrider D25/124

- D522,297 S * 6/2006 Miller D6/580
D546,104 S * 7/2007 Miller D6/580
D616,946 S * 6/2010 Garfinkle D20/43
D649,690 S * 11/2011 Trzesniowski D26/138
D683,893 S * 6/2013 Ransvi D26/138
D698,076 S * 1/2014 Klus D26/138
D757,993 S * 5/2016 Klus D26/138

* cited by examiner

Primary Examiner — George D. Kirschbaum

Assistant Examiner — Natasha Vujcic

(74) *Attorney, Agent, or Firm* — Mark Terry

(57) **CLAIM**

The ornamental design for housing for an LED-based lighting apparatus, as shown and described.

DESCRIPTION

FIG. 1 is a front perspective view of a housing for an LED-based lighting apparatus, showing the new design; FIG. 2 is a rear perspective view thereof; FIG. 3 is a left side view thereof; FIG. 4 is a bottom view thereof; FIG. 5 is right side view thereof; FIG. 6 is a top view thereof; FIG. 7 is another left side view thereof; FIG. 8 is another top view thereof; FIG. 9 is a front view thereof; and, FIG. 10 is a rear view thereof.

The uniformly dashed lines shown in the drawings illustrate portions of the housing for an LED-based lighting apparatus which form no part of the claimed design.

1 Claim, 3 Drawing Sheets

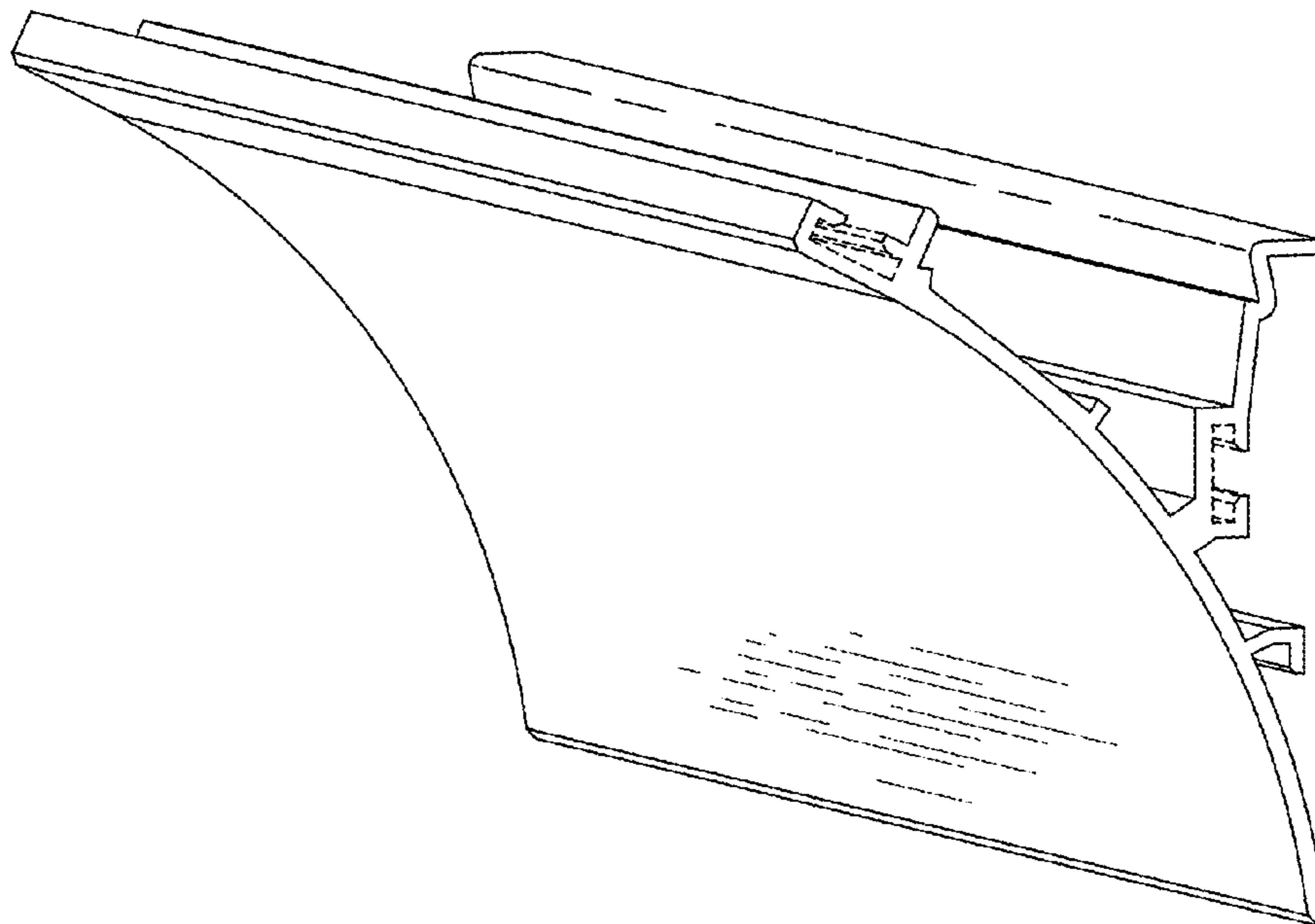


Fig. 1

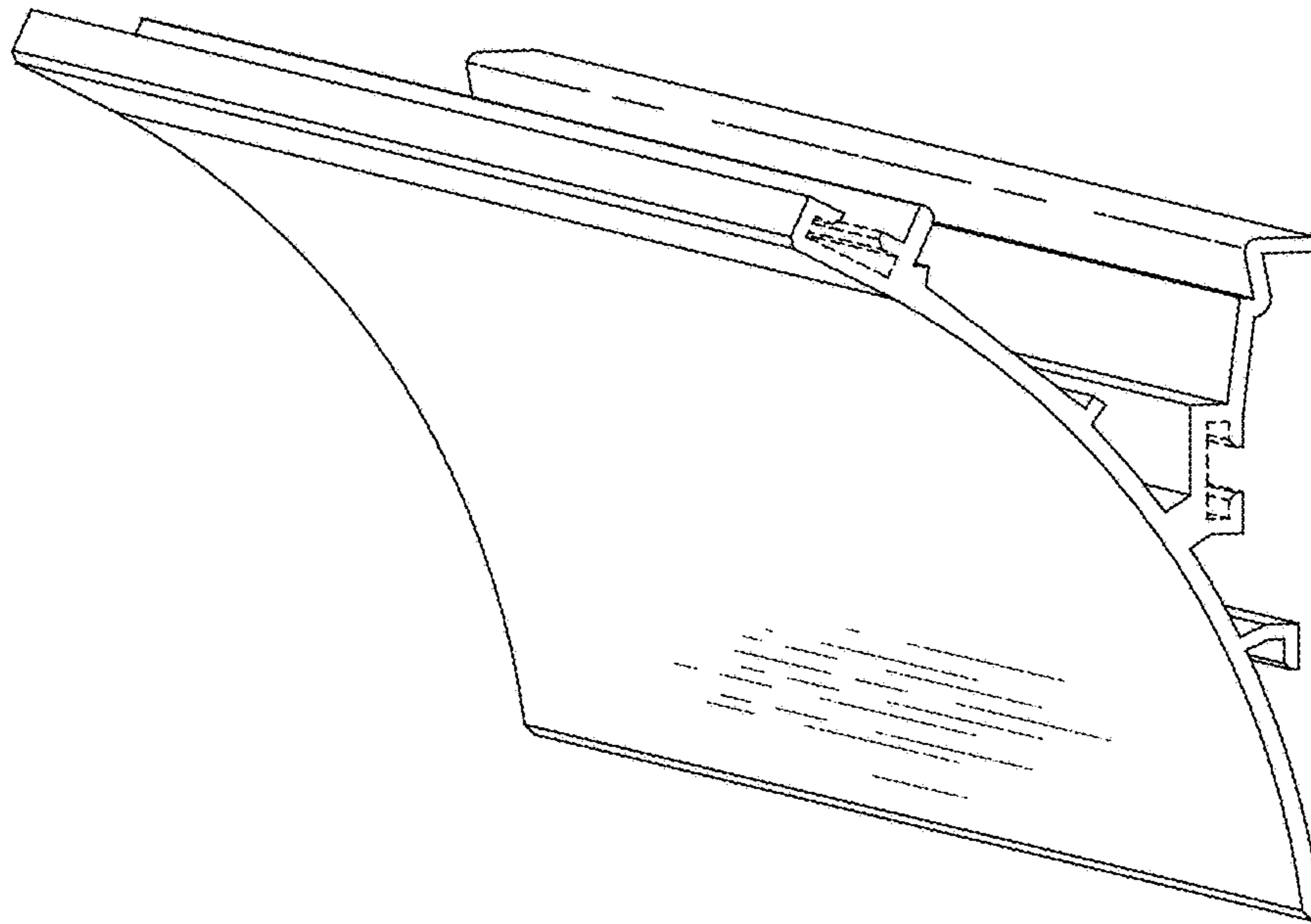


Fig. 2

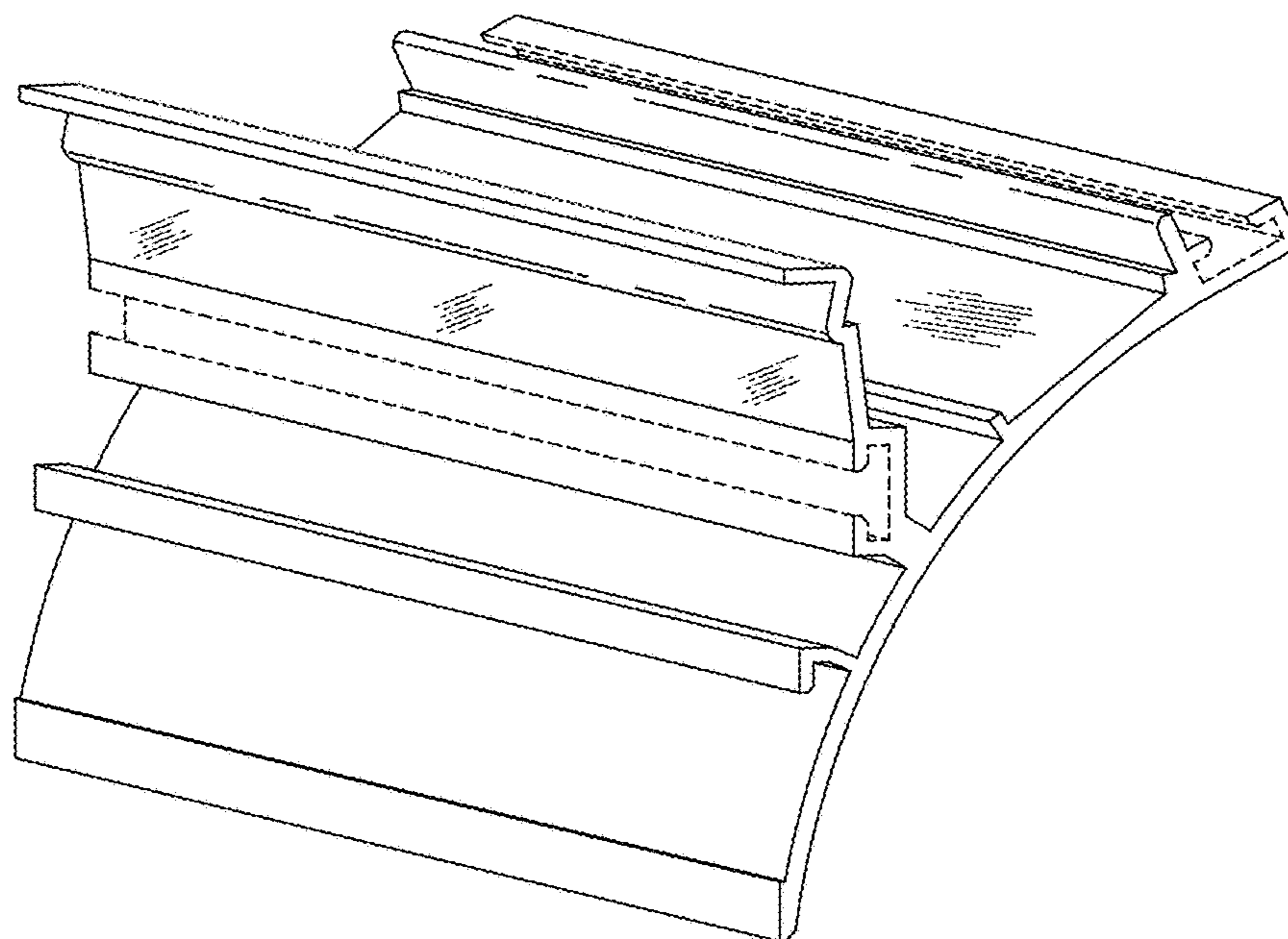


Fig. 3

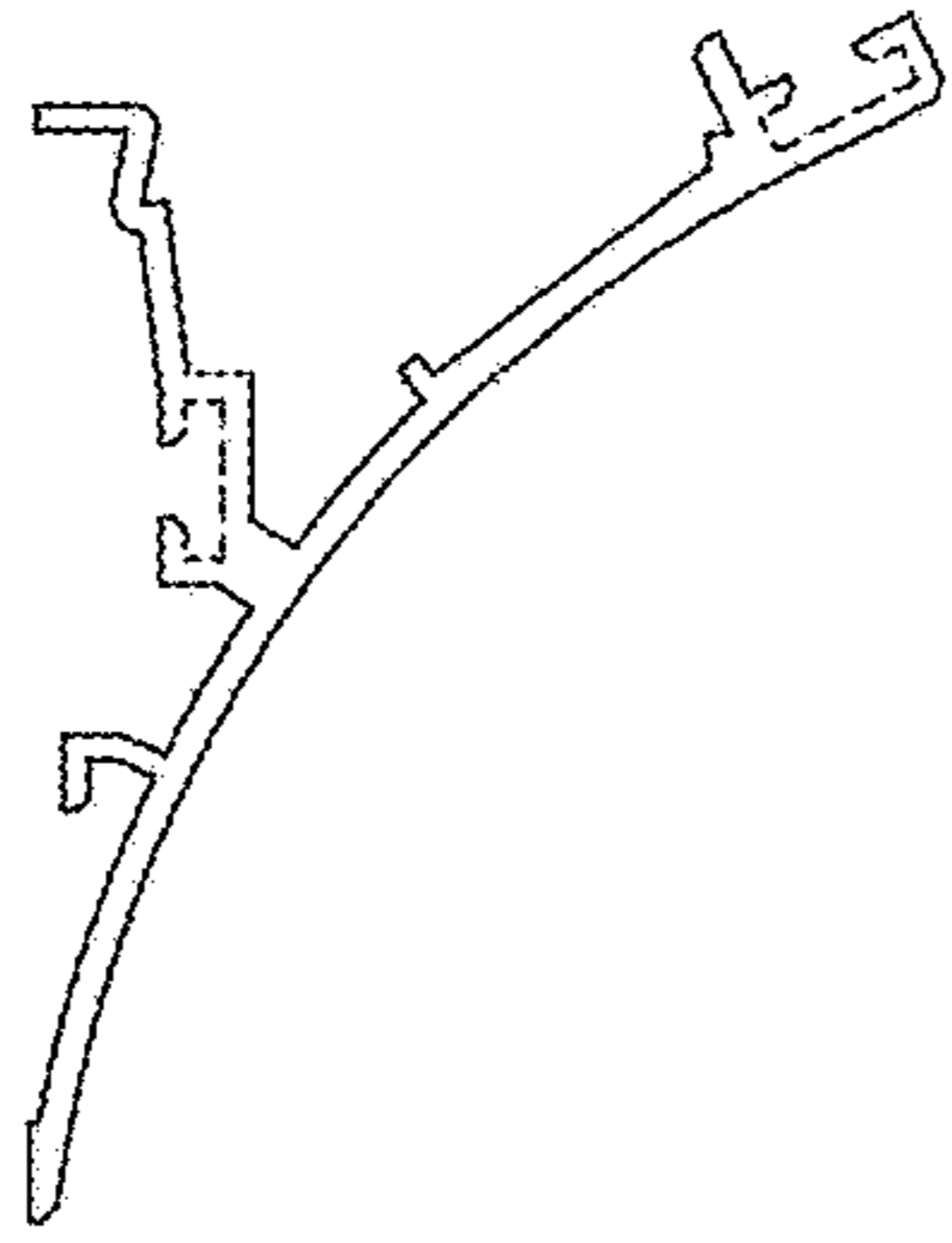


Fig. 5

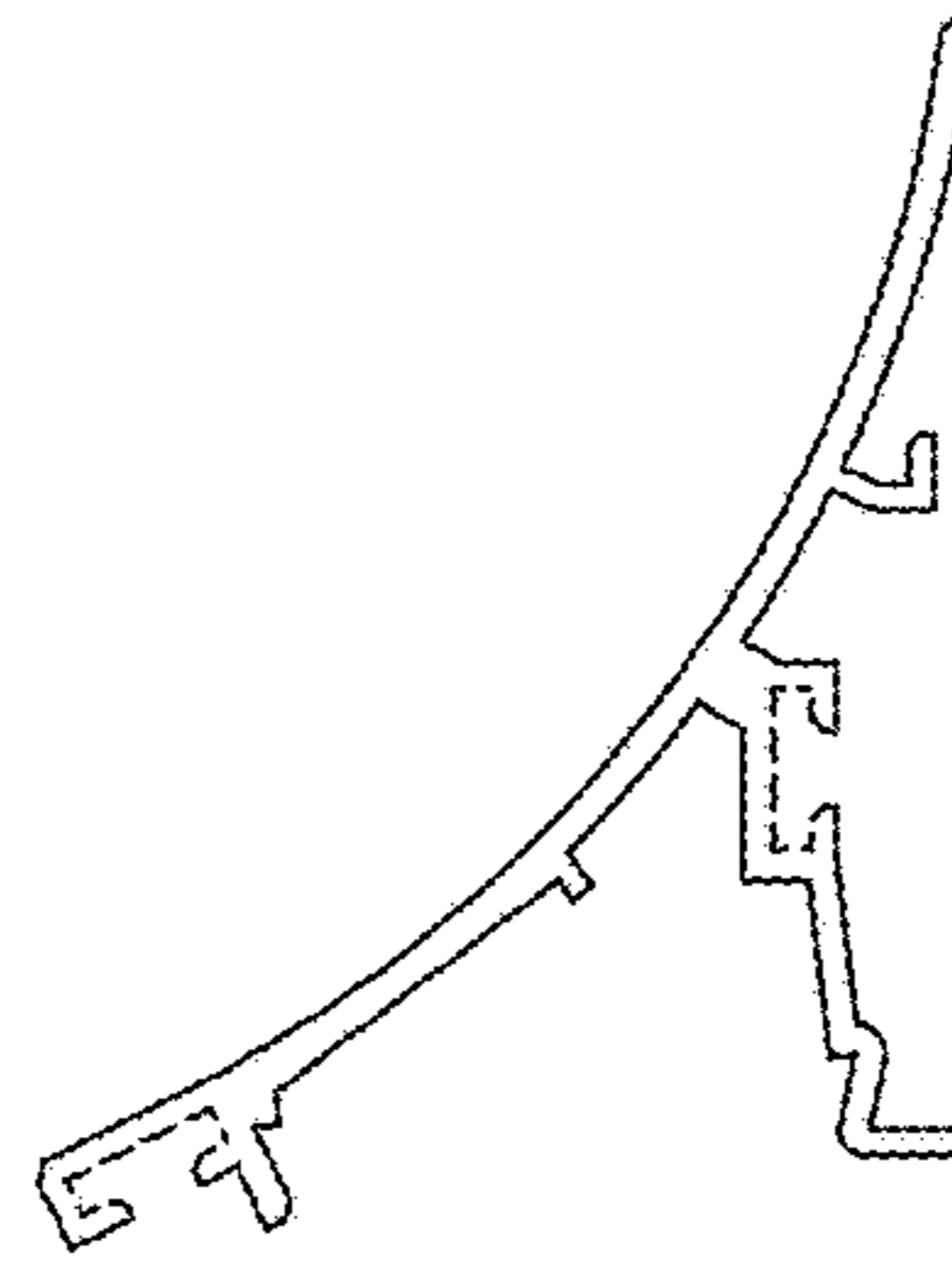


Fig. 4

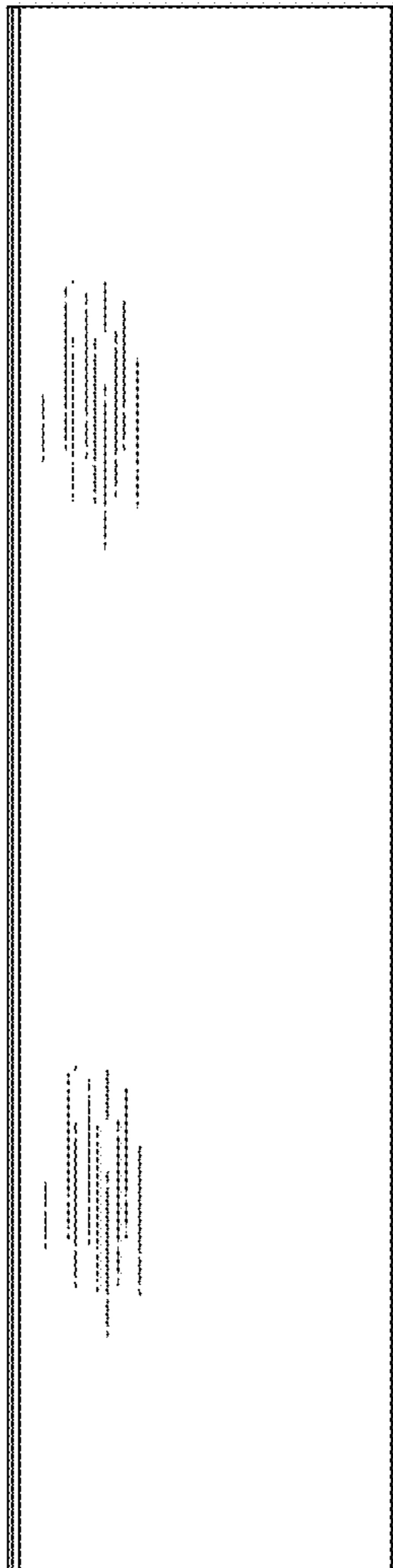


Fig. 6

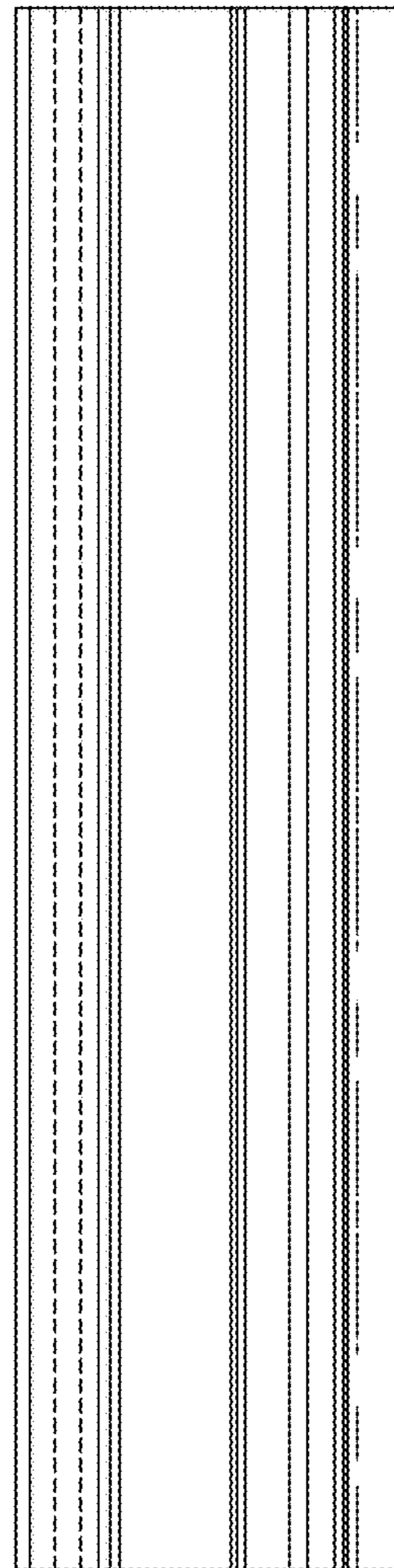


Fig. 7

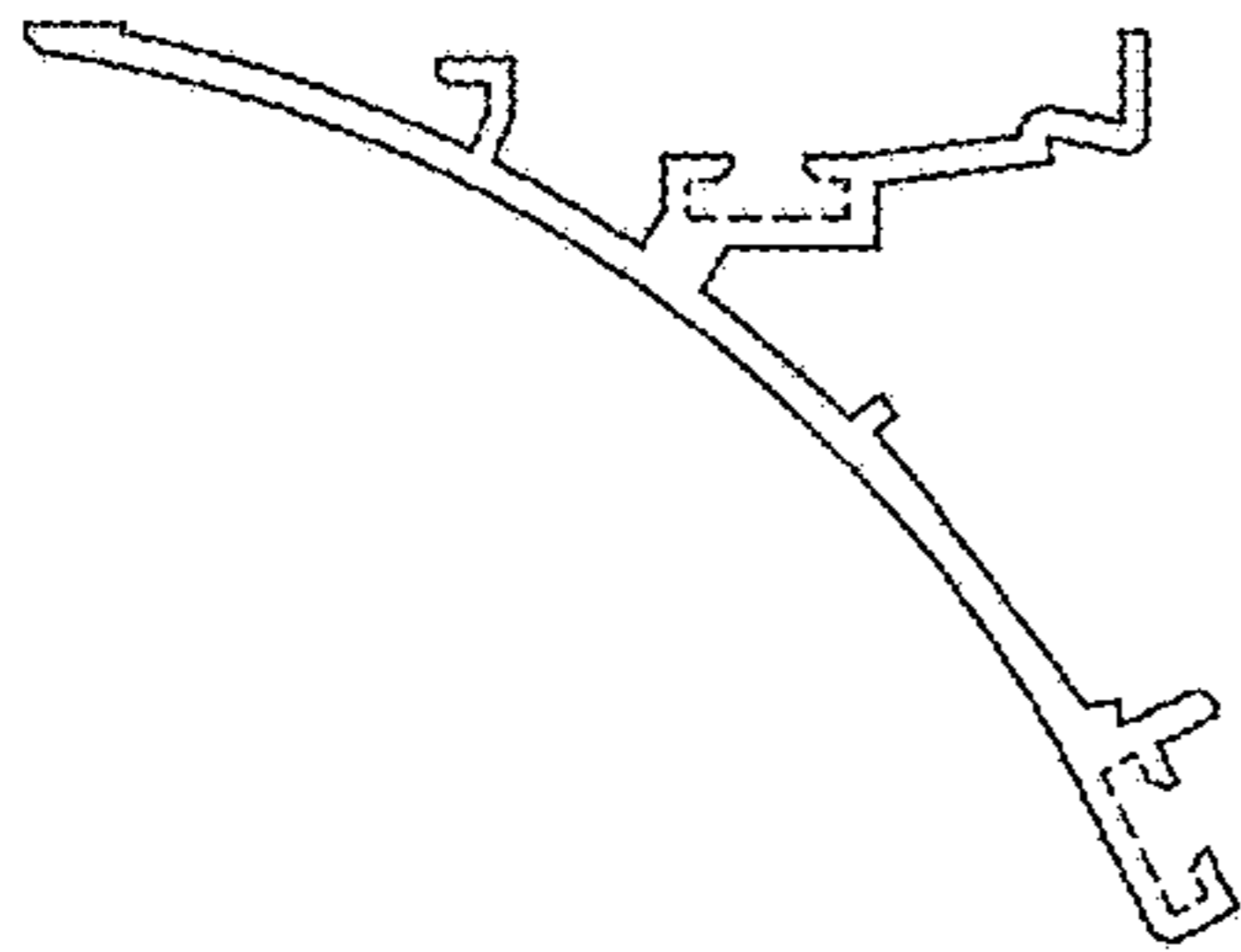


Fig. 9

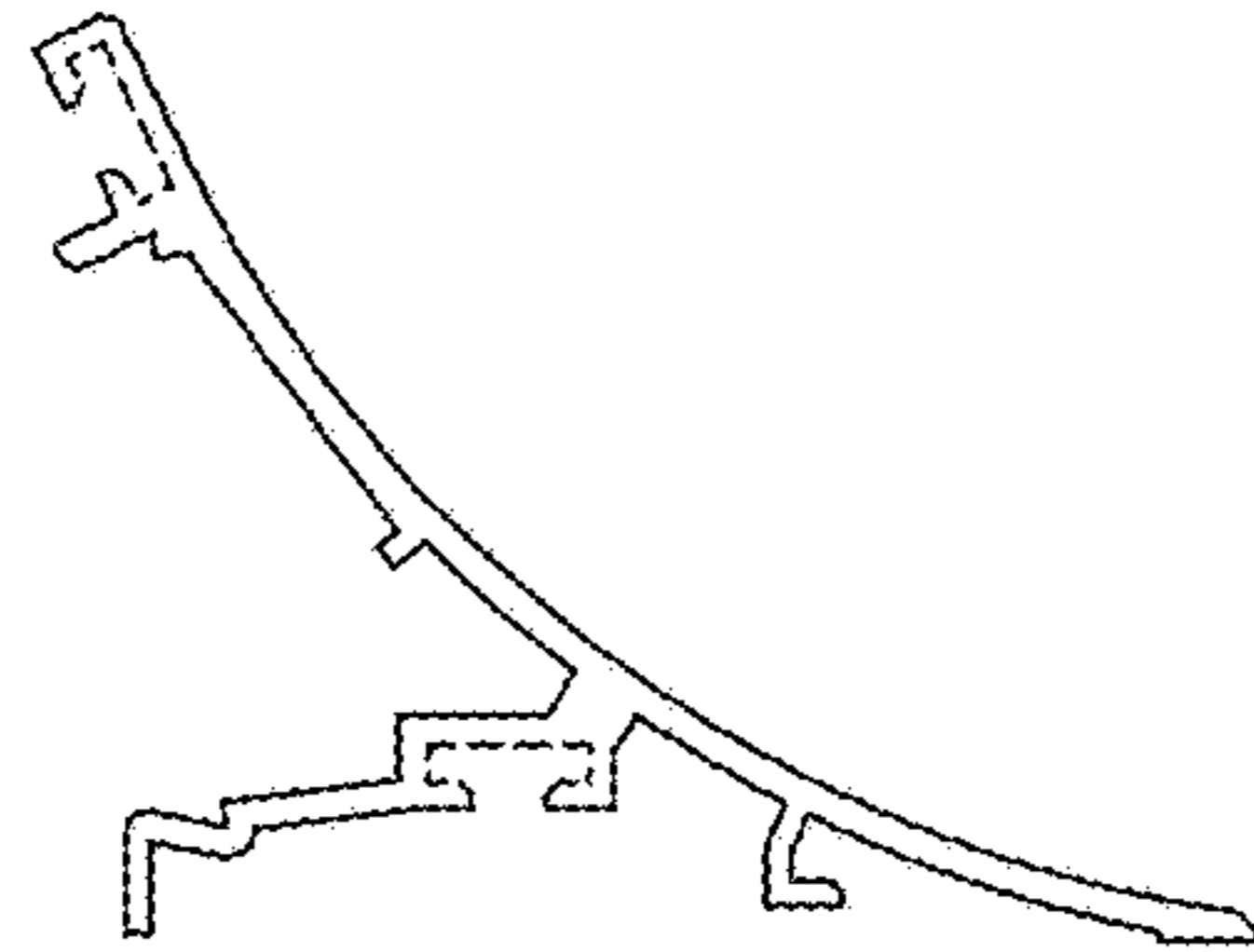


Fig. 8

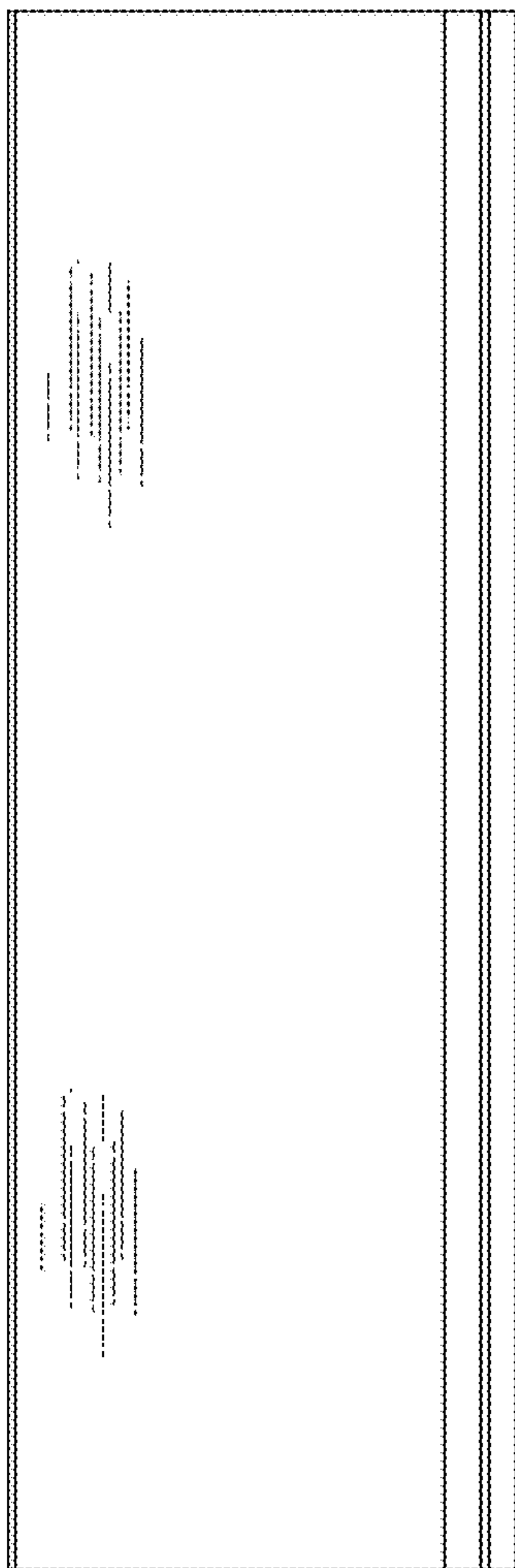


Fig. 10

