



US00D807569S

(12) **United States Design Patent**
Marcoux et al.

(10) **Patent No.:** **US D807,569 S**

(45) **Date of Patent:** **** Jan. 9, 2018**

(54) **LENS FOR A LIGHT EMITTING DIODE**

D753,334 S * 4/2016 Wei D26/120
D789,594 S * 6/2017 Goltche D26/120
D792,639 S * 7/2017 Deyaf D26/120

(71) Applicant: **US LED Ltd.**, Houston, TX (US)

* cited by examiner

(72) Inventors: **Eric Marcoux**, Laval (CA); **Gabriel Corbeil**, Sainte Sophie (CA)

Primary Examiner — Brian N. Vinson

(73) Assignee: **US LED, Ltd.**, Houston, TX (US)

(74) *Attorney, Agent, or Firm* — Blank Rome LLP

(**) Term: **15 Years**

(57) **CLAIM**

We claim the ornamental design for a lens for a light emitting diode, as shown and described.

(21) Appl. No.: **29/562,022**

DESCRIPTION

(22) Filed: **Apr. 21, 2016**

(51) **LOC (11) Cl.** **26-99**

(52) **U.S. Cl.**

USPC **D26/120**

(58) **Field of Classification Search**

USPC D26/1, 24, 61, 63, 65, 85, 92, 118, 120, D26/124

CPC F21V 21/14; F21V 15/01; F21V 14/02; F21V 21/30; F21V 21/00; F21V 14/00; F21S 8/00; F21S 8/003; F21S 8/043; F21Y 2105/001; H01K 9/00; H01K 7/04

See application file for complete search history.

FIG. 1 is an upper perspective view of a first embodiment of a lens for a light emitting diode, showing our new design; FIG. 2 is a lower perspective view thereof; FIG. 3 is a front elevational view thereof; FIG. 4 is a rear elevational view thereof; FIG. 5 is a right side elevational view thereof; FIG. 6 is a left side elevational view thereof; FIG. 7 is a top plan view thereof; FIG. 8 is a bottom plan view thereof; and, FIG. 9 is a cross-sectional view thereof, (taken along axis 9-9).

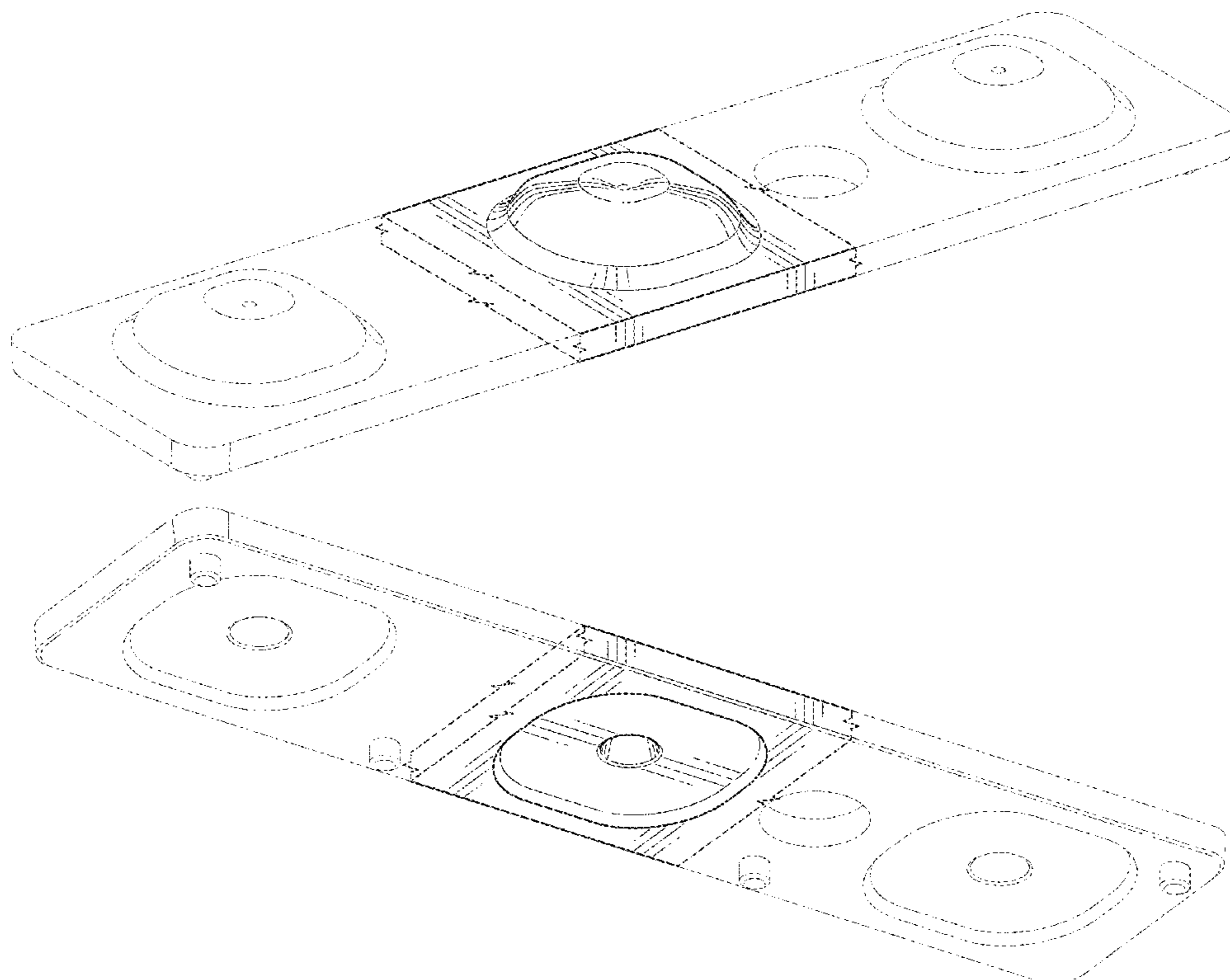
The broken lines are for illustrating unclaimed portions of the lens for a light emitting diode and for illustrating an environment related to the claimed design; the broken lines form no part of the claimed design; the cross-sectional view of FIG. 9 is included to illustrate surface shape; interior structure forms no part of the claimed design.

(56) **References Cited**

U.S. PATENT DOCUMENTS

5,084,806 A * 1/1992 Nagai H01K 9/00 313/272
D696,801 S * 12/2013 He D26/24
D727,558 S * 4/2015 Tang D26/120

1 Claim, 6 Drawing Sheets



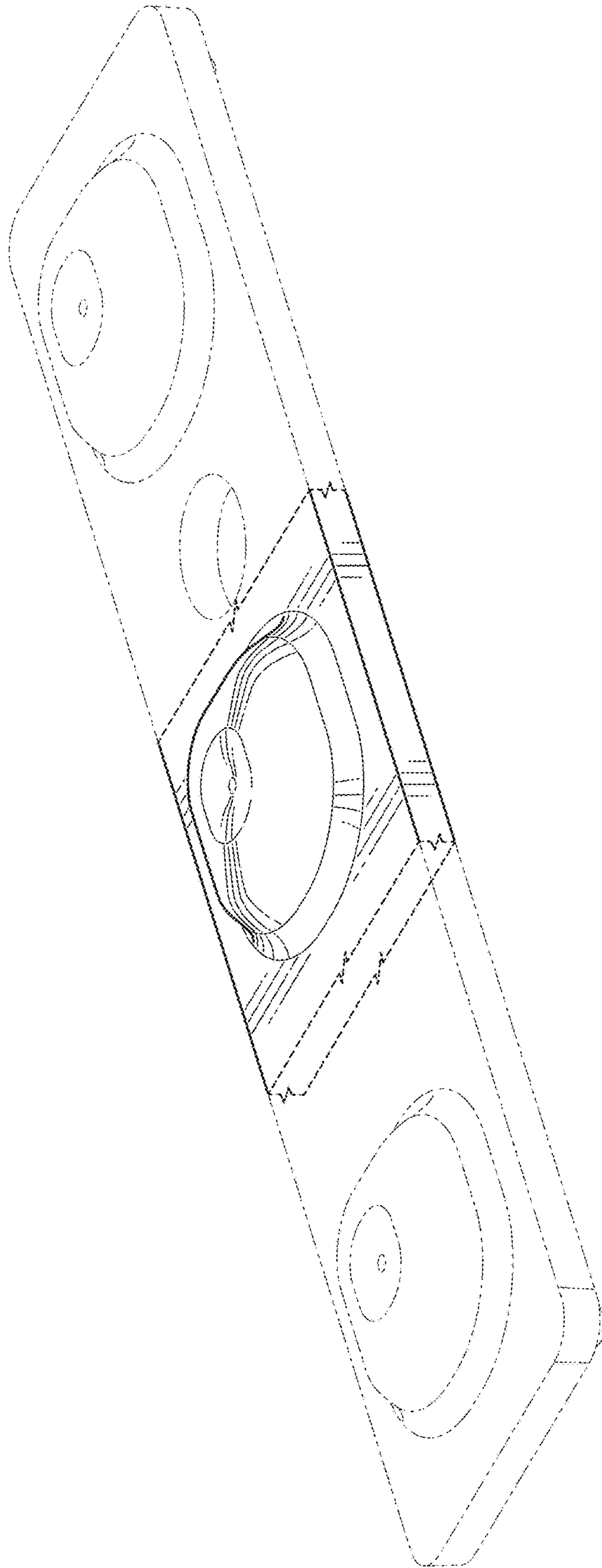


FIG. 1

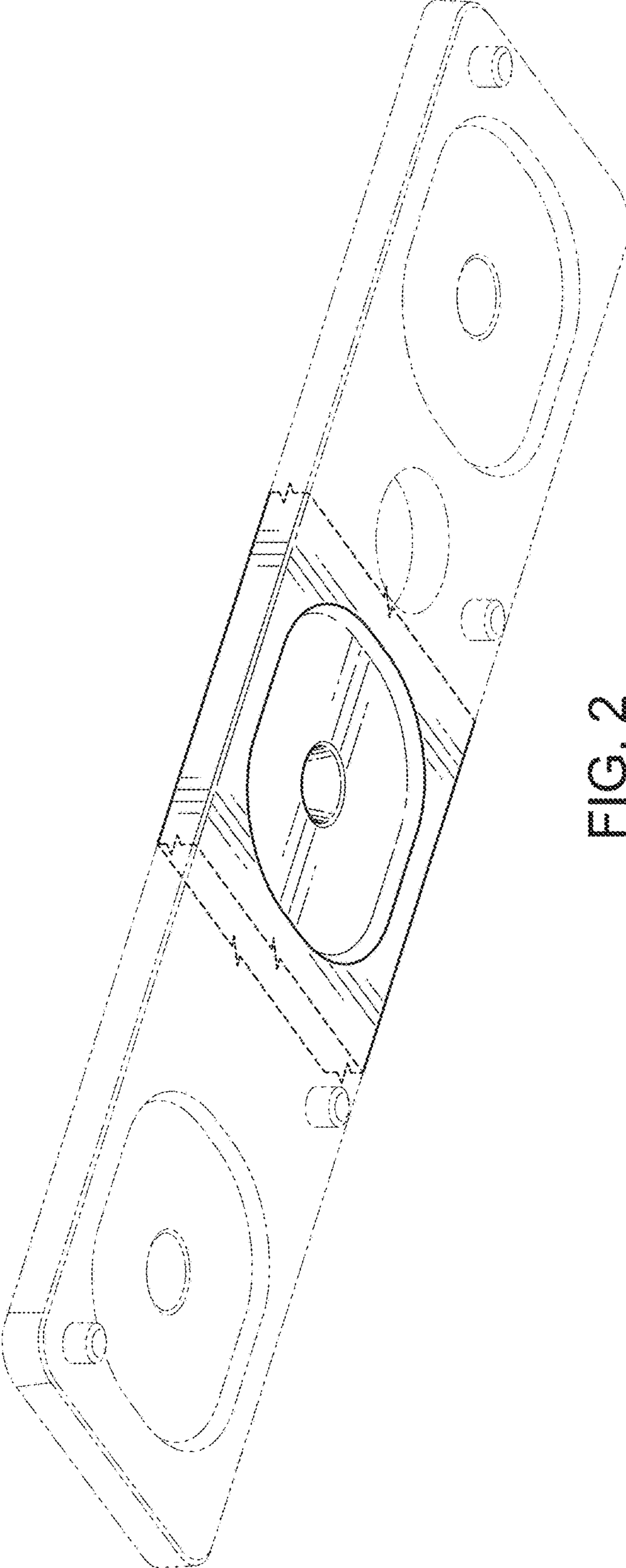


FIG. 2

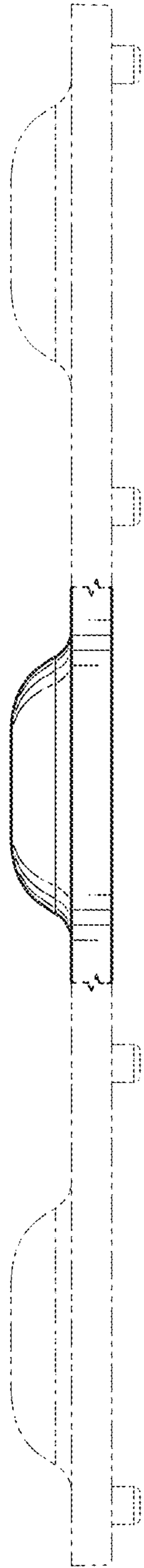


FIG. 3

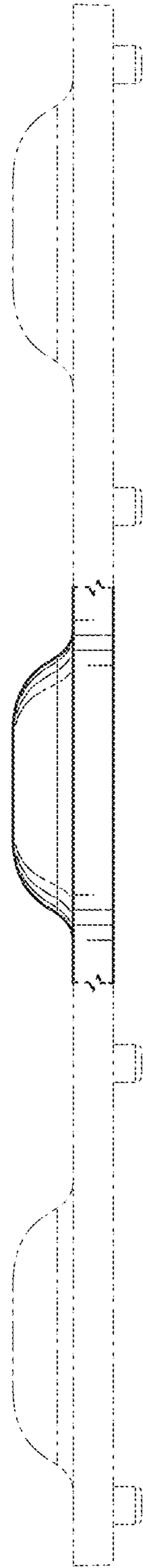


FIG. 4

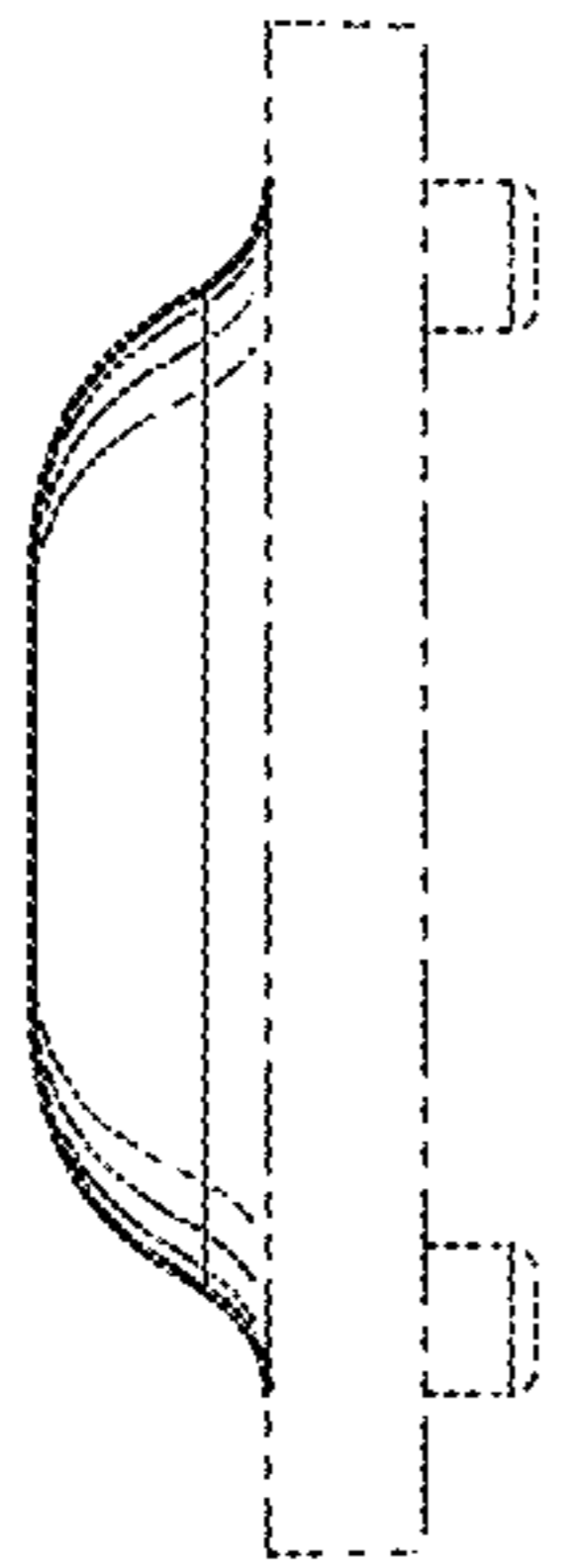


FIG. 5

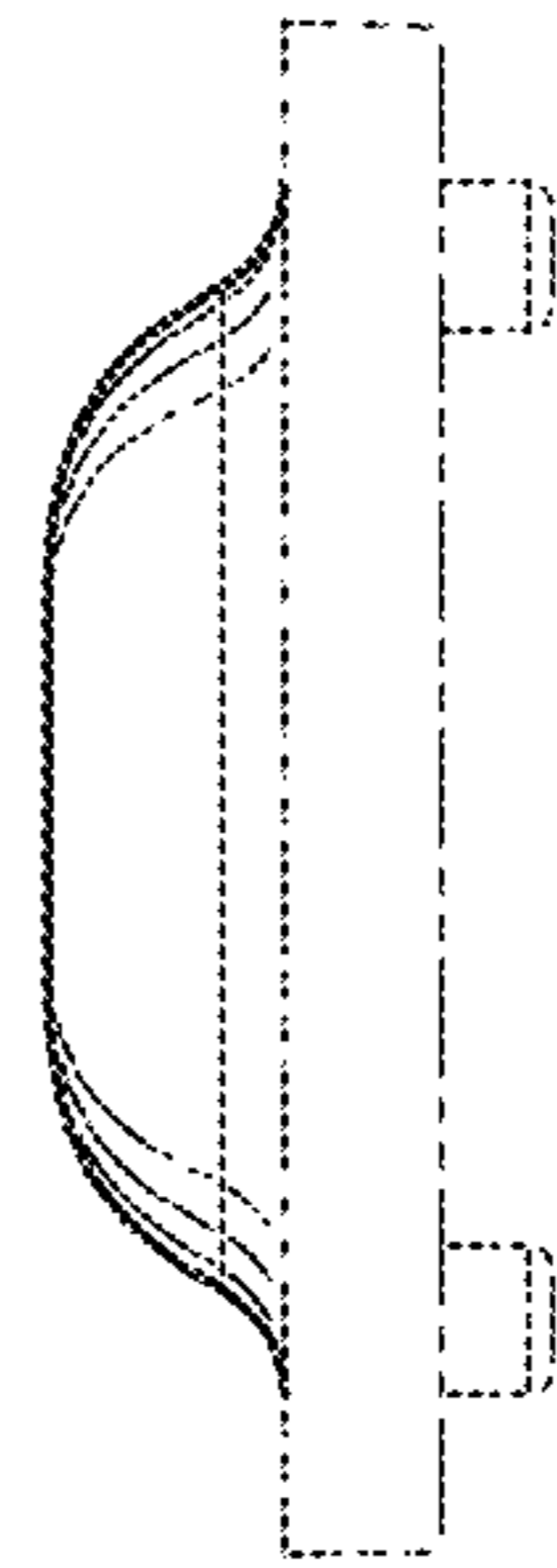


FIG. 6

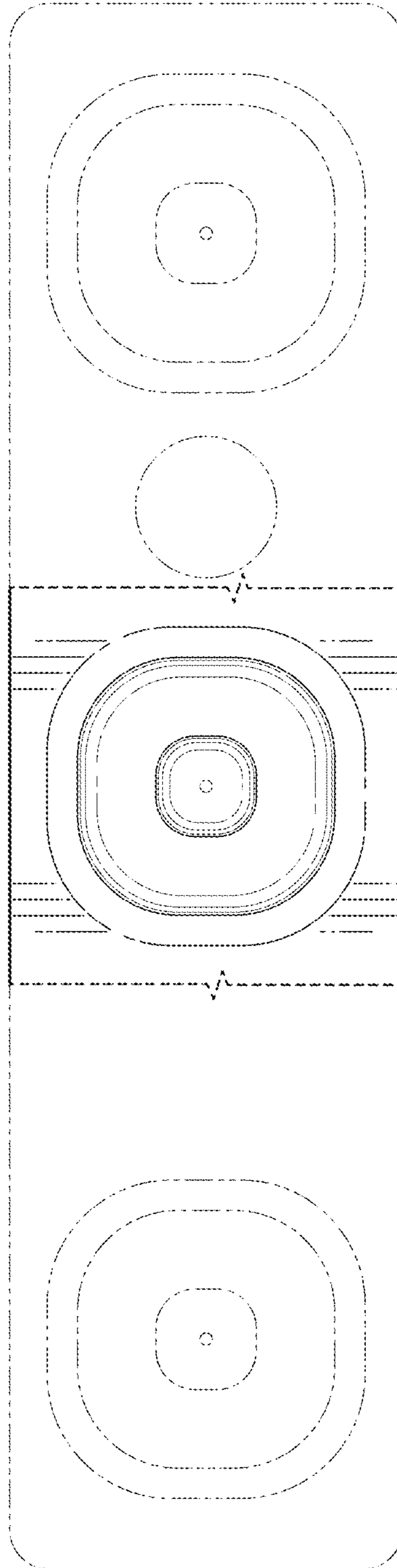


FIG. 7

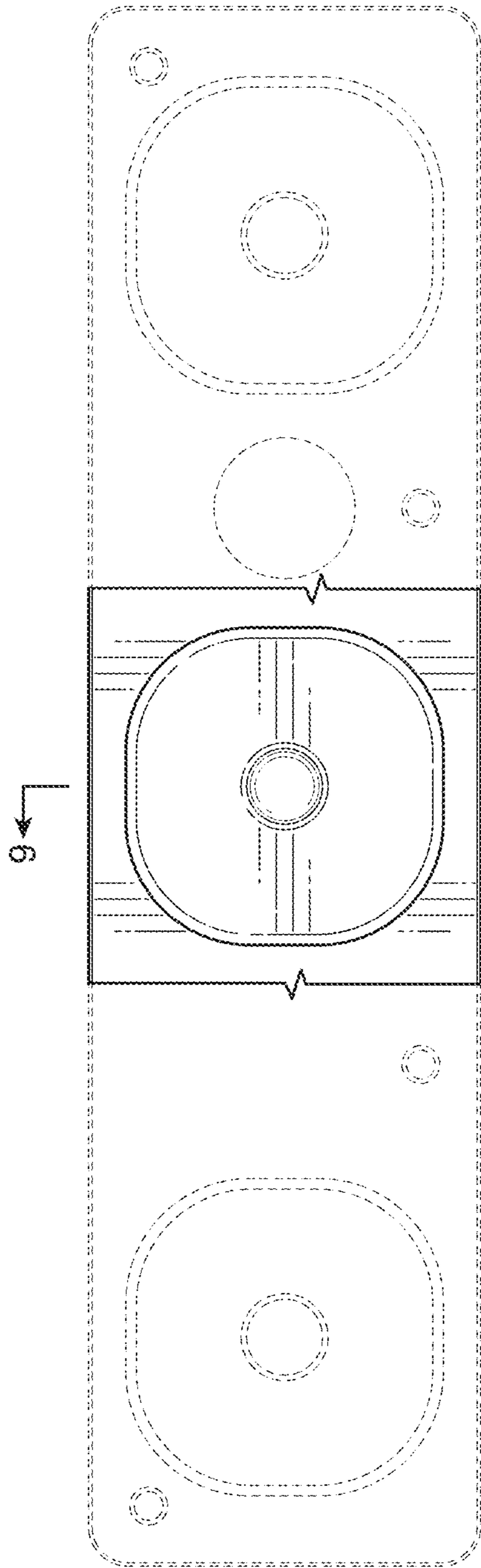


FIG. 8

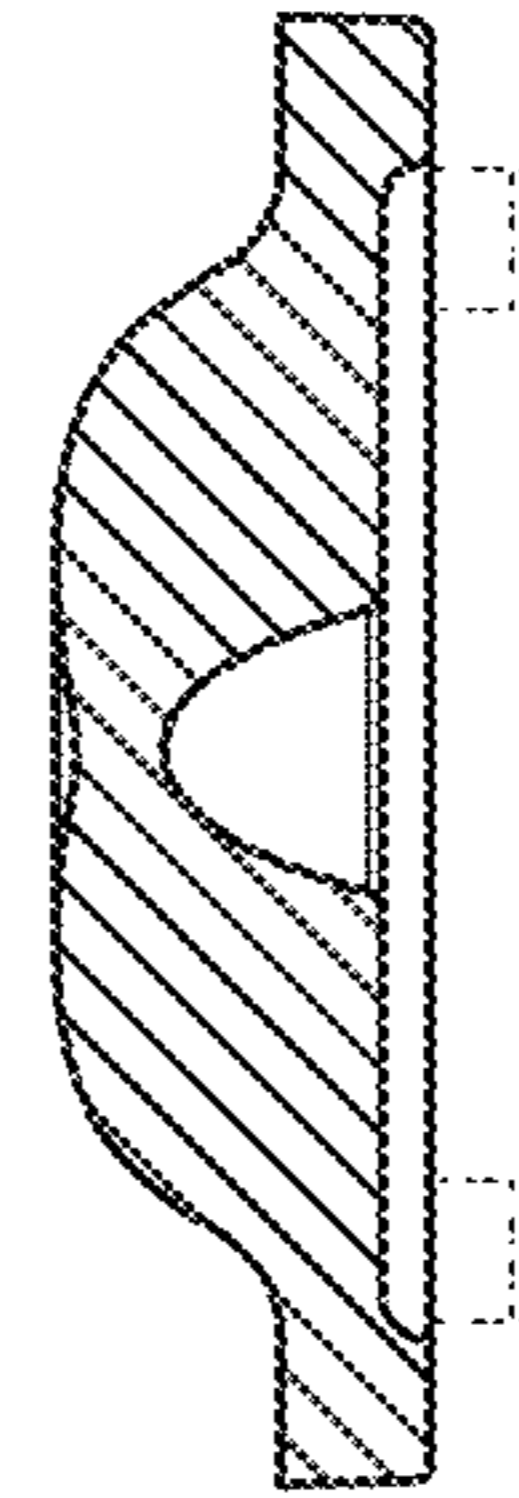


FIG. 9