



US00D807566S

(12) **United States Design Patent**
Duarte et al.

(10) **Patent No.:** **US D807,566 S**
(45) **Date of Patent:** **** Jan. 9, 2018**

(54) **ROTATABLE LIGHT**

D590,097 S * 4/2009 Tam D26/104
D757,988 S * 5/2016 Chang D26/104
D786,485 S * 5/2017 Amato D26/106

(71) Applicant: **DELK, INC.**, Nashville, TN (US)

* cited by examiner

(72) Inventors: **Eugenio Jose Duarte**, Mount Juliet, TN (US); **Luke William Michas**, Nashville, TN (US); **James Matthew Finney**, Nashville, TN (US)

Primary Examiner — Brian N. Vinson
(74) *Attorney, Agent, or Firm* — Kevin Schraven; Lindsey Auerbach; Hankin Patent Law, APC

(73) Assignee: **DELK, INC.**, Nashville, TN (US)

(**) Term: **15 Years**

(57) **CLAIM**

(21) Appl. No.: **29/584,487**

The ornamental design for the rotatable light, as shown and described.

(22) Filed: **Nov. 15, 2016**

(51) **LOC (11) Cl.** **26-03**

(52) **U.S. Cl.**
USPC **D26/106**

DESCRIPTION

(58) **Field of Classification Search**
USPC D26/1, 4, 24, 27, 51, 93, 94, 104, 106;
D11/131, 157, 184, 121, 125
CPC .. A63H 13/00; F21S 6/00; F21S 6/002; F21S 10/00; F21V 3/00; F21V 3/0418; F21V 15/00; F21V 21/02; F21V 31/00; F21W 2121/00; F21W 2131/30
See application file for complete search history.

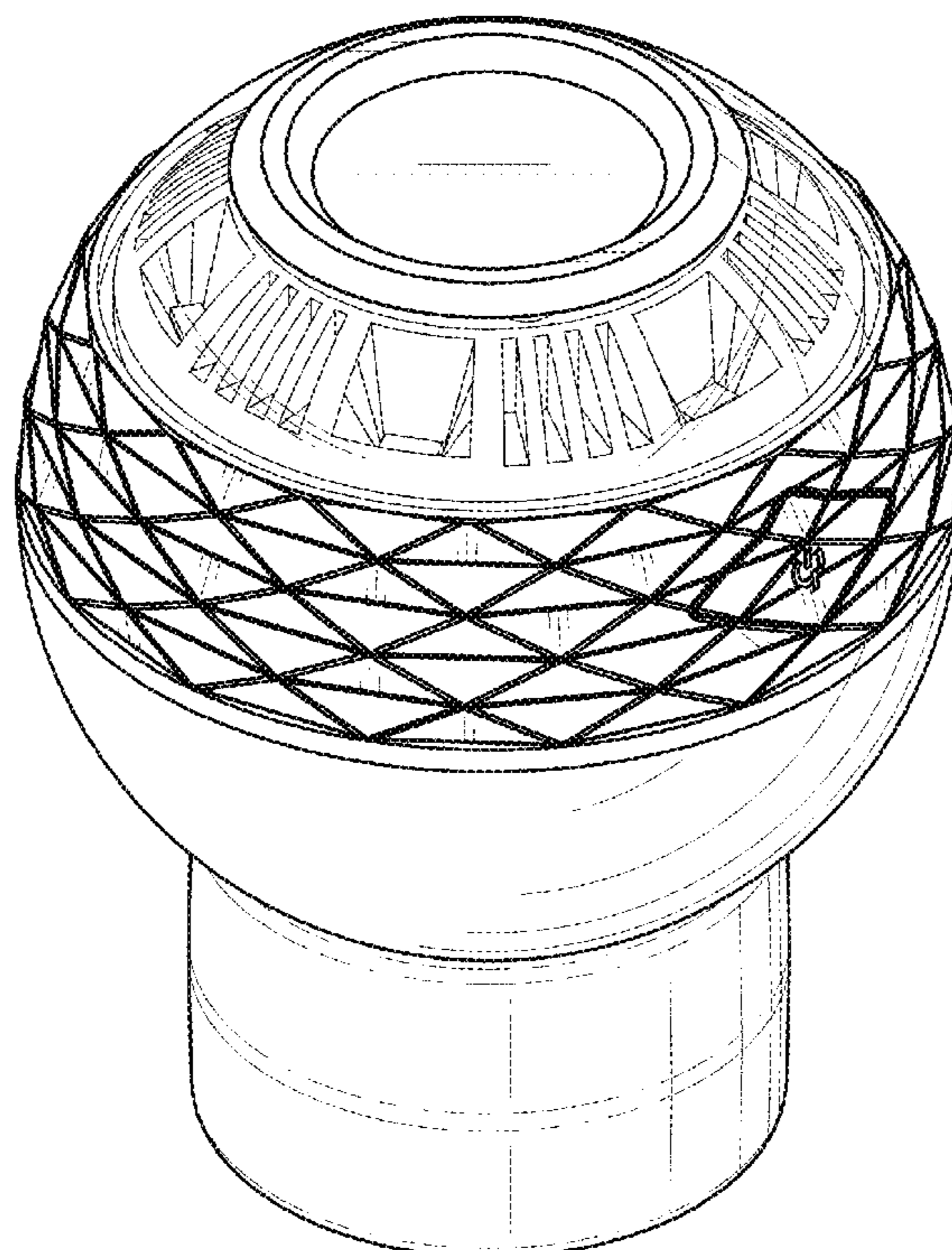
FIG. 1 is a top perspective view of a one embodiment of the rotatable light showing our new design.
FIG. 2 is a front elevational view thereof.
FIG. 3 is a rear elevational view thereof
FIG. 4 is a side elevational view thereof.
FIG. 5 is a top plan view thereof.
FIG. 6 is a bottom plan view thereof; and,
FIG. 7 is a top perspective exploded view showing the light separated from the base.
The broken lines showing the top of the base are for the purpose of illustrating environmental structure and unclaimed subject matter and form no part of the claimed design.

(56) **References Cited**

U.S. PATENT DOCUMENTS

4,961,276 A * 10/1990 Lin A63H 13/00
40/410
D393,016 S * 3/1998 Young D11/131

1 Claim, 7 Drawing Sheets



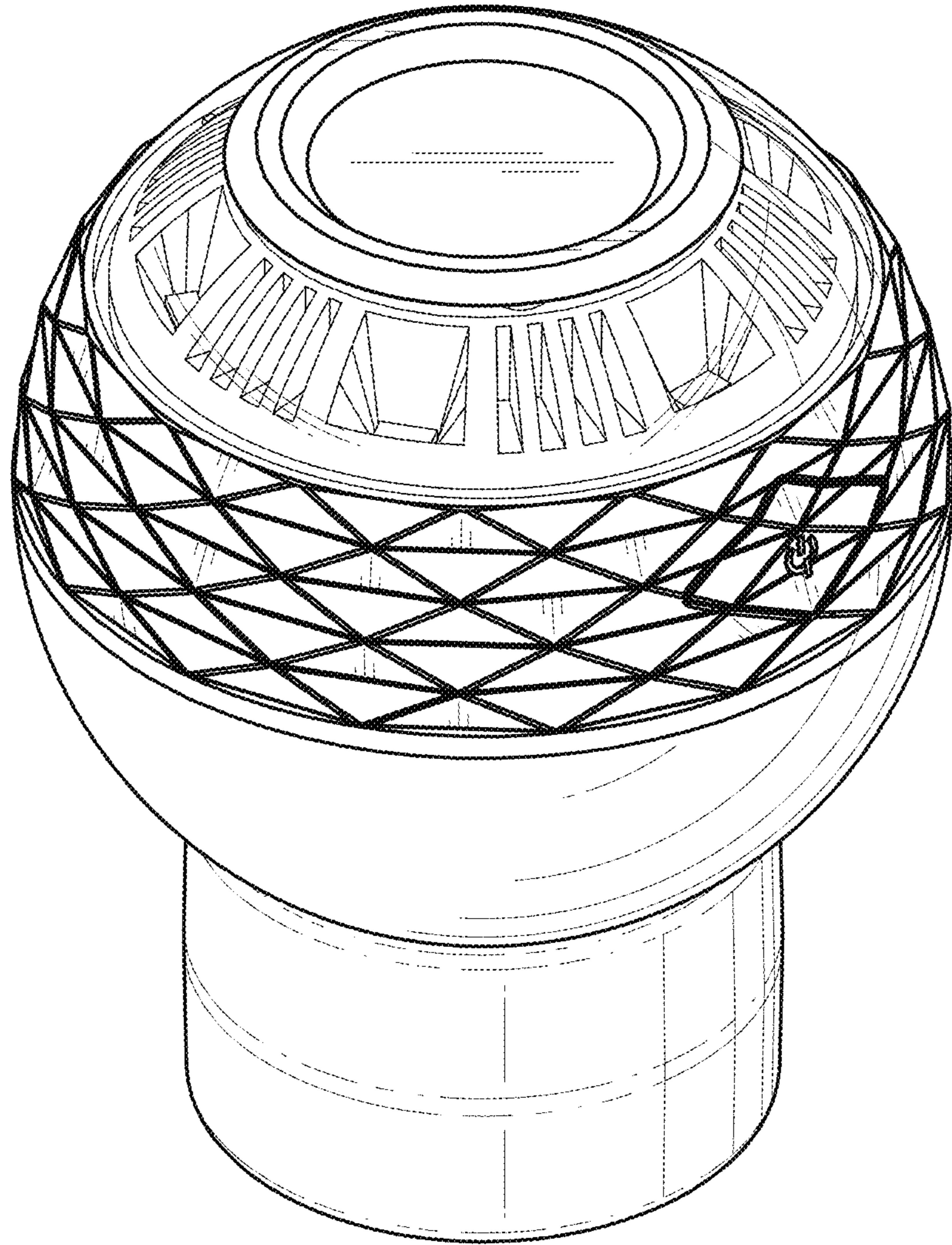


FIG. 1

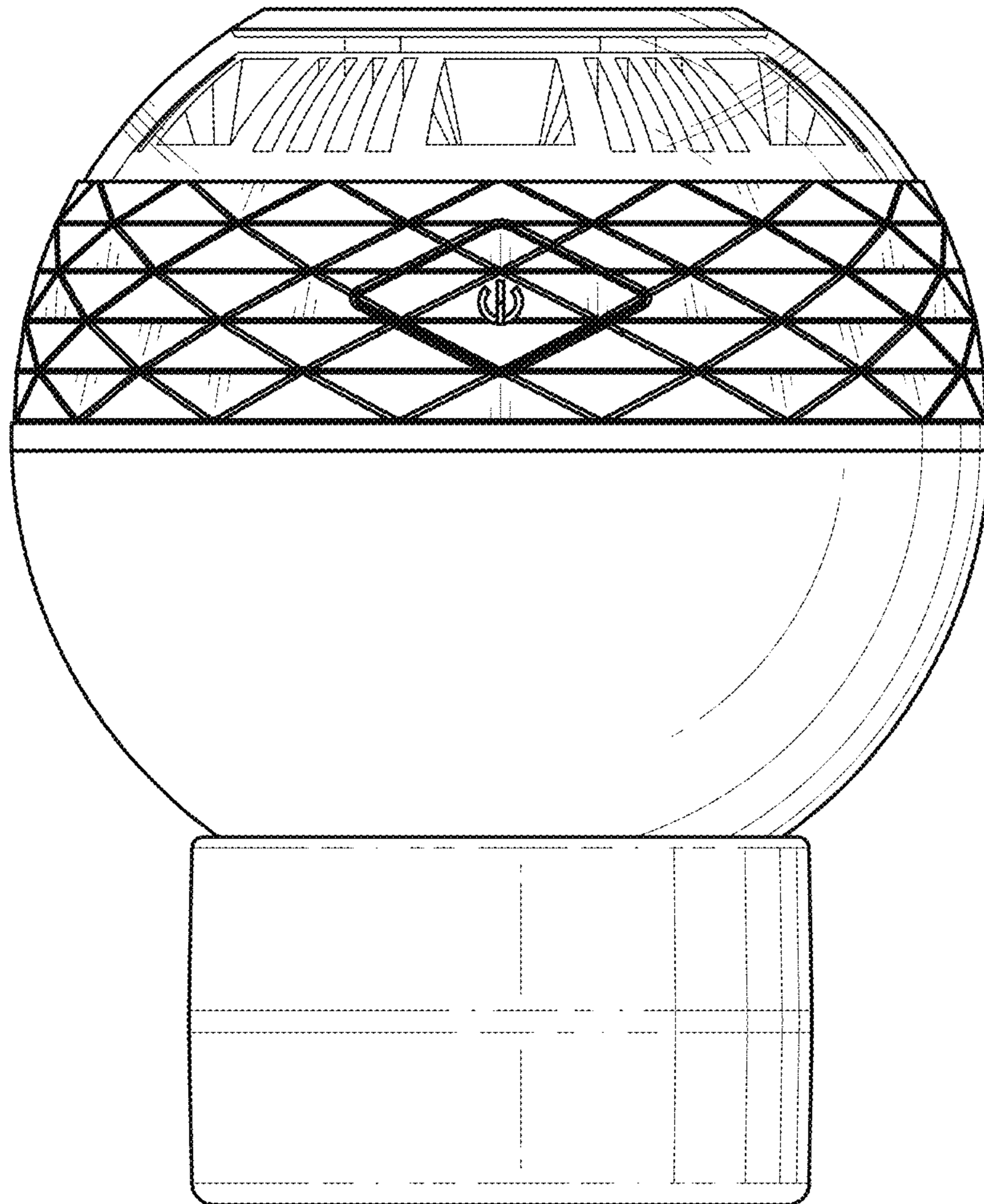


FIG. 2

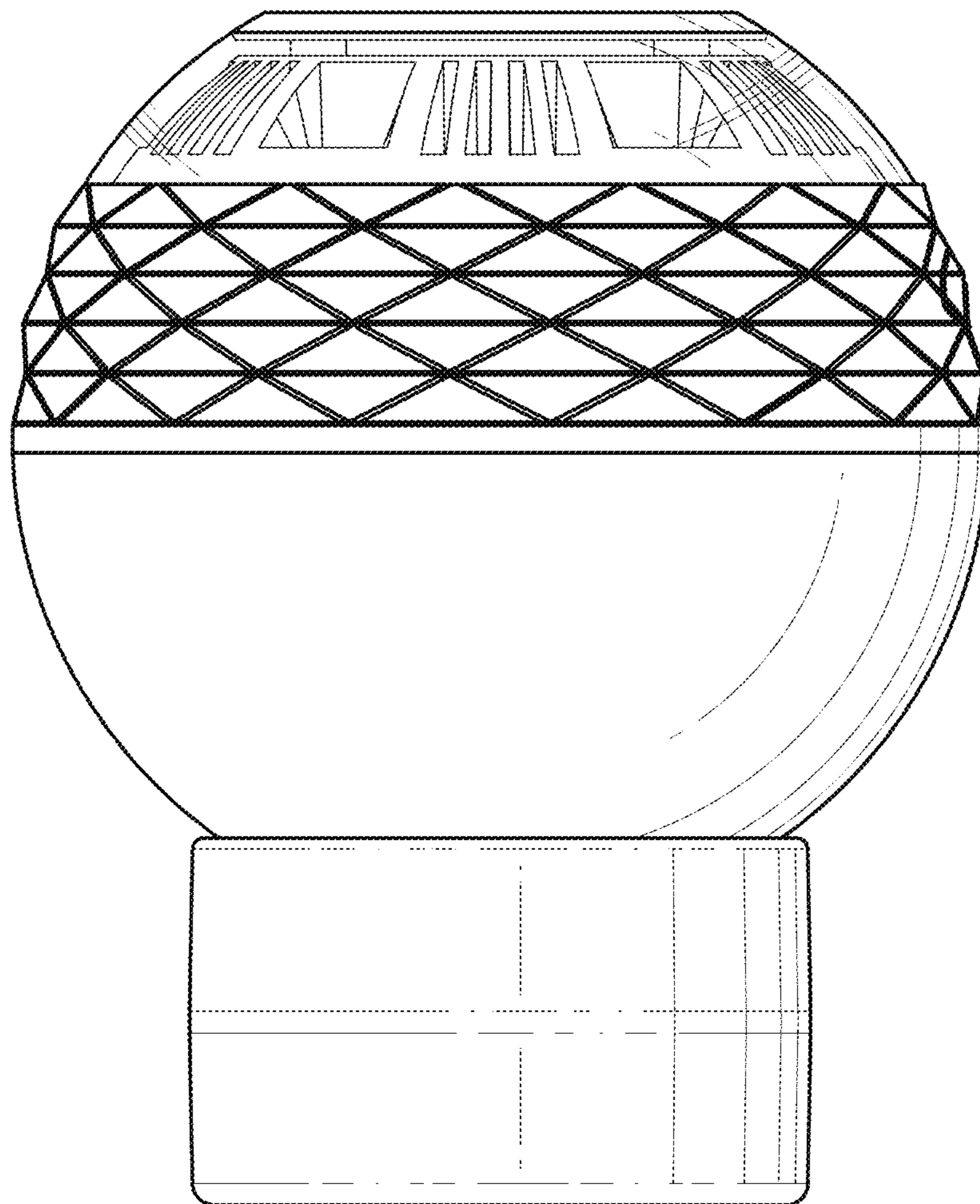


FIG. 3

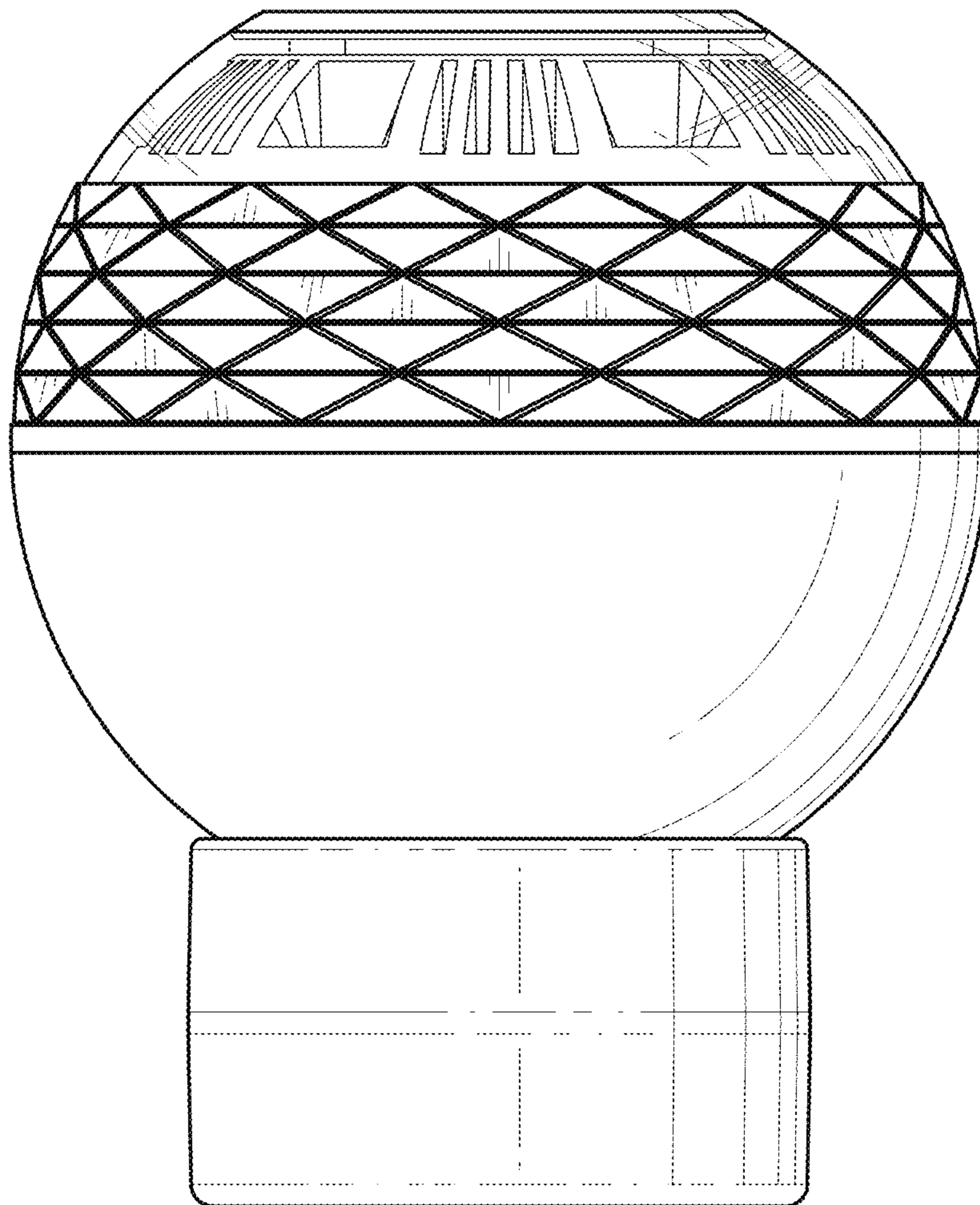


FIG. 4

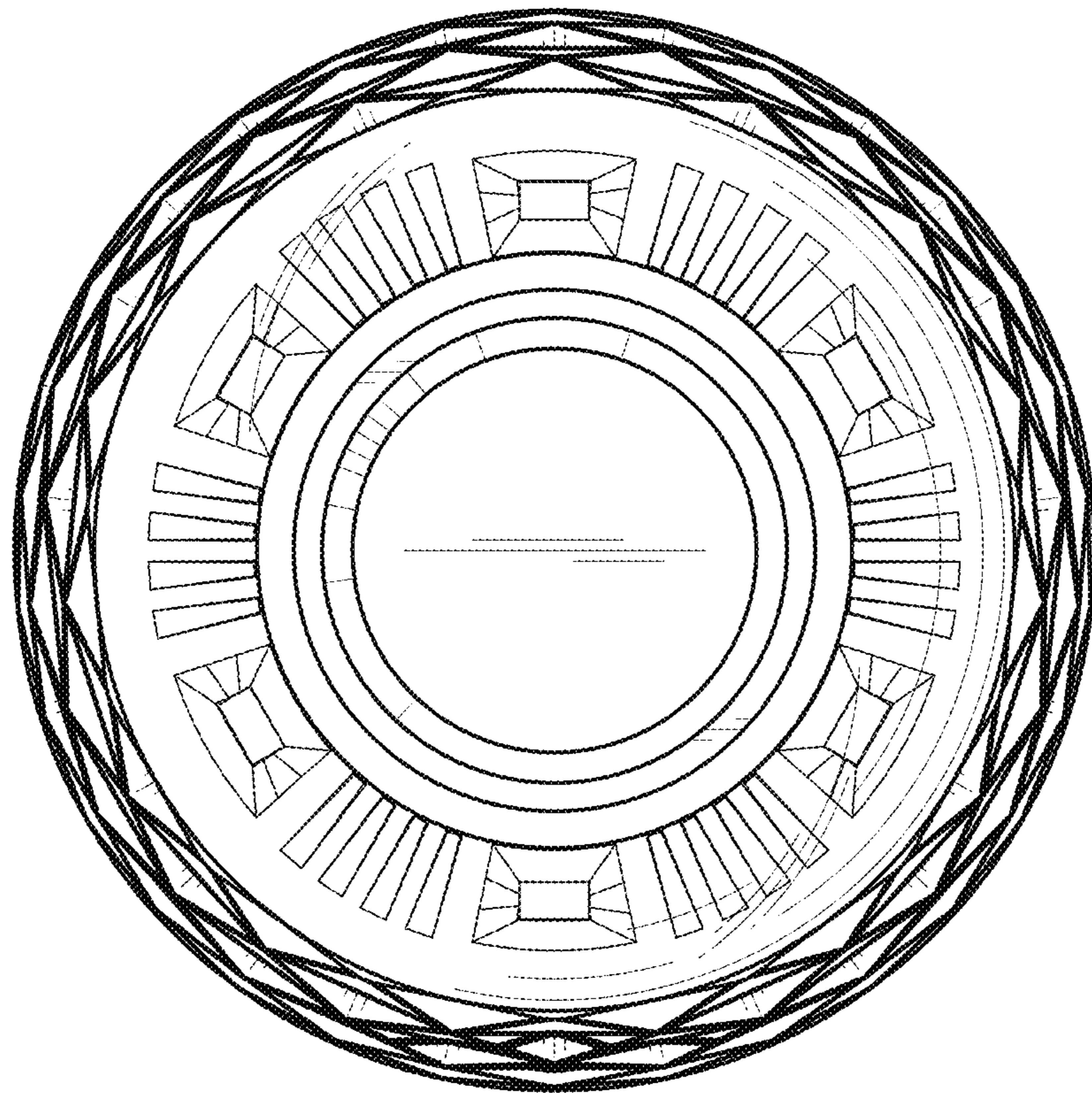


FIG. 5

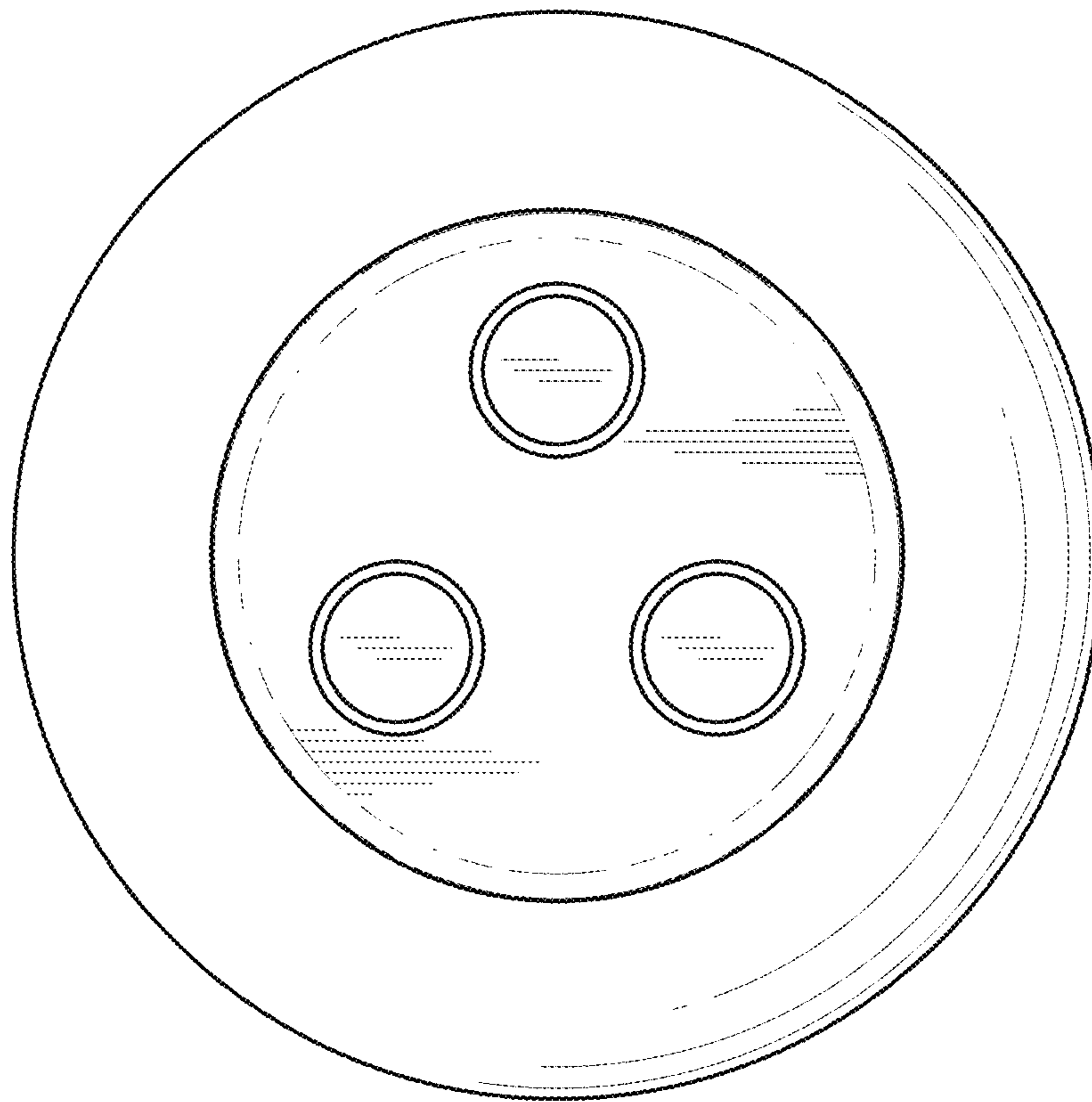


FIG. 6

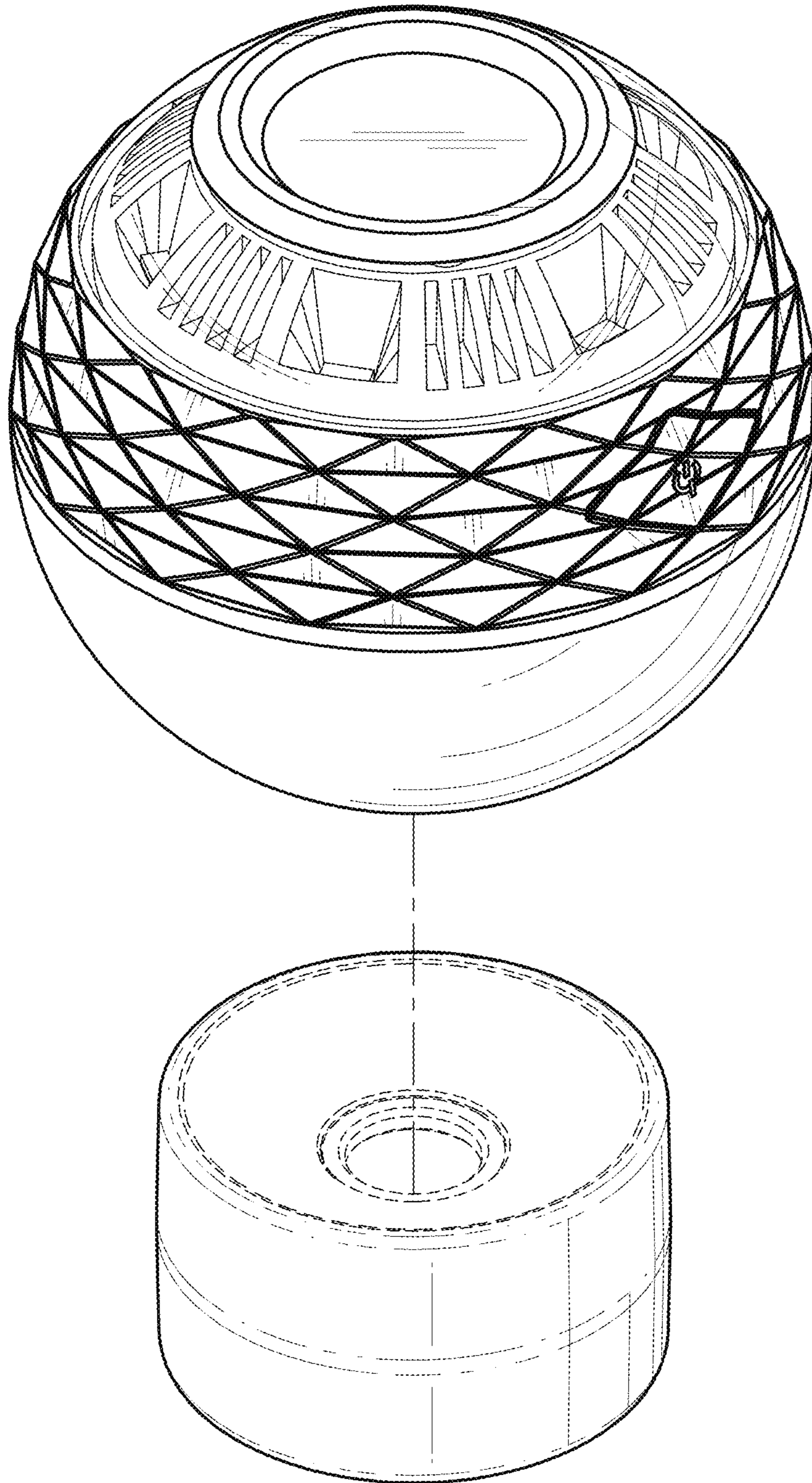


FIG. 7