



US00D807564S

(12) **United States Design Patent**
Amato et al.

(10) **Patent No.:** **US D807,564 S**

(45) **Date of Patent:** **** Jan. 9, 2018**

(54) **LIGHTING FIXTURE**

(71) Applicant: **The Urban Electric Company**, North Charleston, SC (US)

(72) Inventors: **Michael Amato**, Johns Island, SC (US); **David Dawson**, Charleston, SC (US); **Jonathan Charpia**, Summerville, SC (US); **Christopher Roof**, Charleston, SC (US); **Joeangel Casanova**, North Charleston, SC (US); **Courteney Salisbury**, Mount Pleasant, SC (US); **Brianna Magagnoli**, Charleston, SC (US)

(73) Assignee: **The Urban Electric Company**, North Charleston, SC (US)

(**) Term: **15 Years**

(21) Appl. No.: **29/580,999**

(22) Filed: **Oct. 14, 2016**

(51) **LOC (11) Cl.** **26-03**

(52) **U.S. Cl.**
USPC **D26/88; D26/89**

(58) **Field of Classification Search**
USPC D26/80-91, 118, 128, 135
CPC F21S 8/03; F21S 8/033; F21S 8/036; F21S 8/04; F21S 8/043; F21S 8/046; F21S 8/06; F21S 8/061; F21S 8/063; F21S 8/065; F21S 8/068

See application file for complete search history.

(56) **References Cited**

U.S. PATENT DOCUMENTS

D60,561 S * 3/1922 Mohrmann D26/91
1,440,301 A * 12/1922 Klein F21S 8/04
362/355

1,707,556 A * 4/1929 Kaden F21S 8/04
362/433
D80,088 S * 12/1929 Plaut D26/91
1,868,692 A * 7/1932 Bruckmann F21V 1/00
362/357
D206,178 S * 11/1966 Eckert D26/81
D427,713 S * 7/2000 Dolan D26/135
D465,297 S * 11/2002 Thomas D26/83
D548,874 S * 8/2007 Curtin D26/89
D551,382 S * 9/2007 Curtin D26/89
D557,854 S * 12/2007 Lewis D26/81
D666,354 S * 8/2012 Bracher D26/143
D775,758 S * 1/2017 Amato D26/89

* cited by examiner

Primary Examiner — Clare E Heflin

(74) *Attorney, Agent, or Firm* — Jeffrey T. Stover;
Haynsworth Sinkler Boyd, P.A.

(57) **CLAIM**

The ornamental design for a lighting fixture, as shown and described.

DESCRIPTION

FIG. 1 is a top perspective view of a lighting fixture showing the new design;

FIG. 2 is a front elevational view thereof;

FIG. 3 is a back elevational view thereof.

FIG. 4 is a right side elevational view thereof;

FIG. 5 is a left side elevational view thereof;

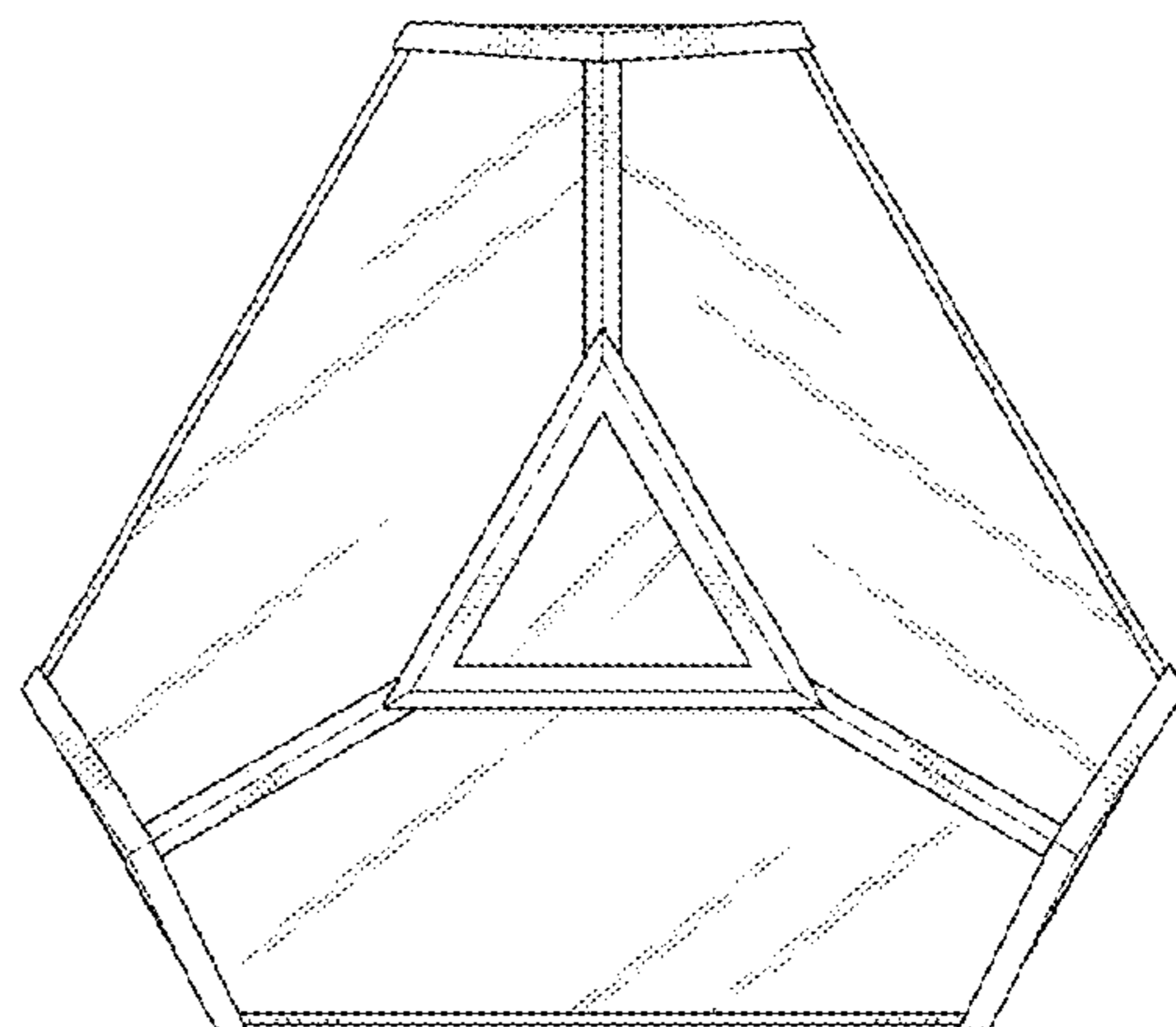
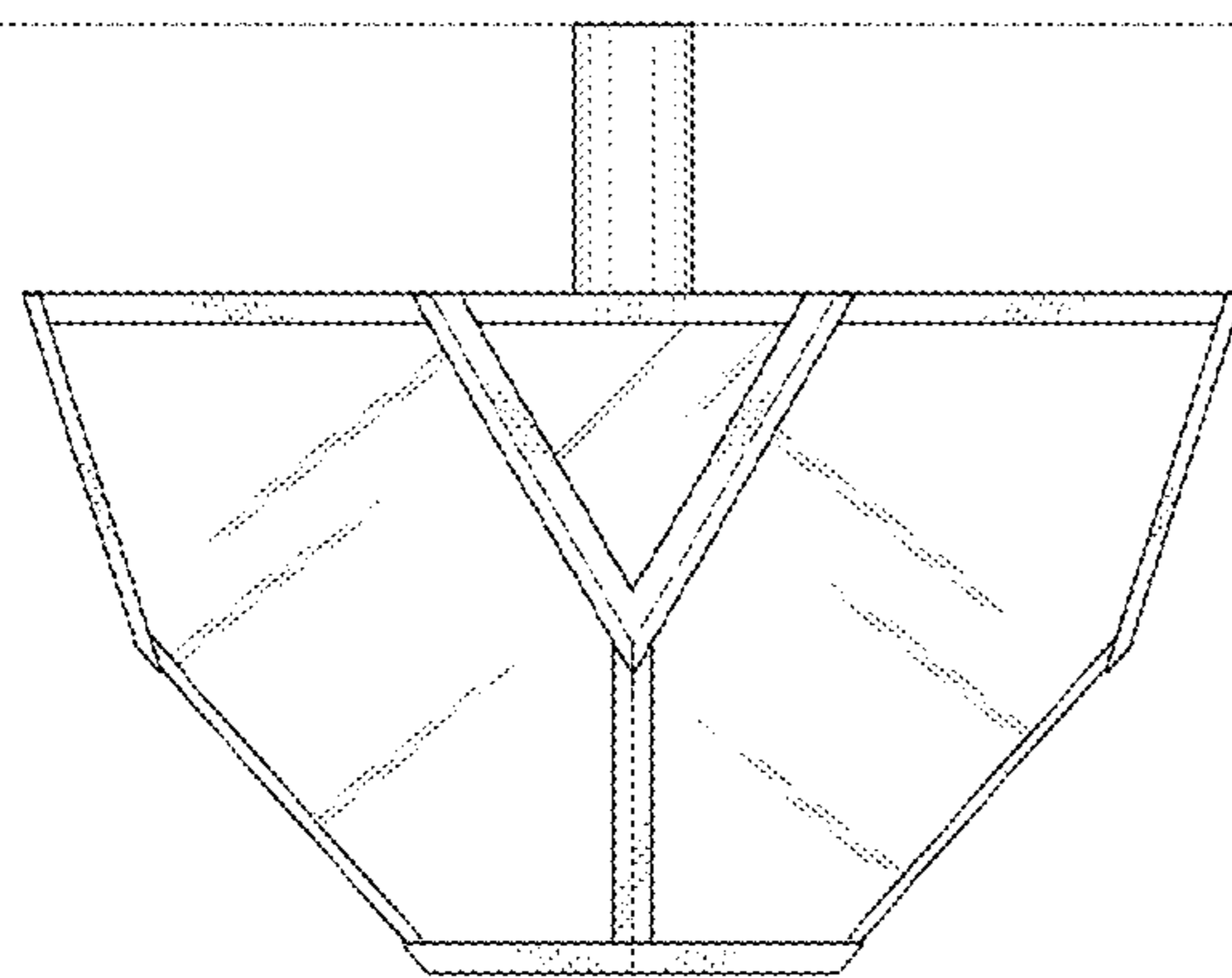
FIG. 6 is a top plan view thereof;

FIG. 7 is a bottom plan view thereof; and,

FIG. 8 is a bottom perspective view thereof.

The broken lines shown on the drawings are understood to represent environmental structure that is not considered part of the claimed design.

1 Claim, 8 Drawing Sheets



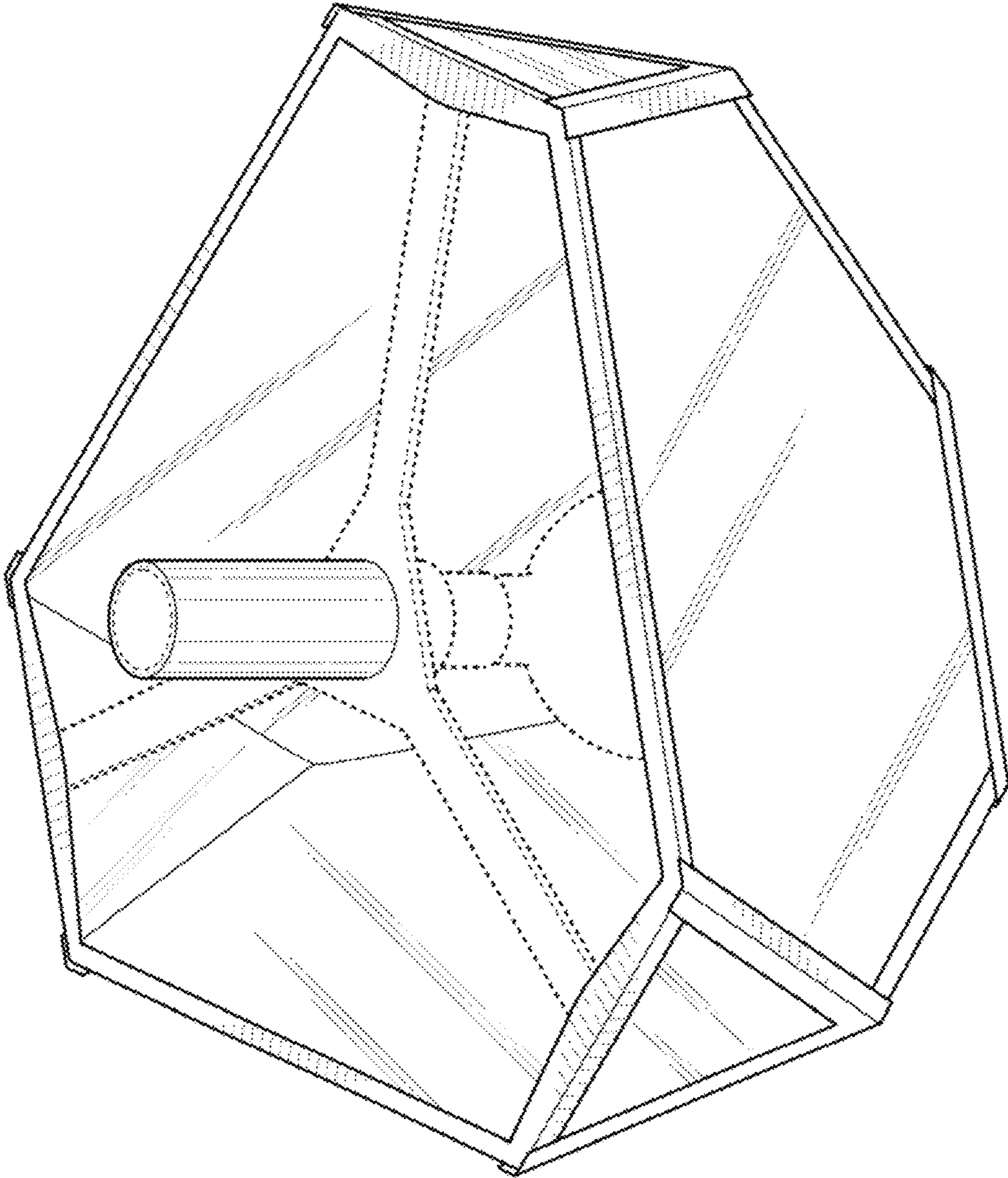


FIG. 1

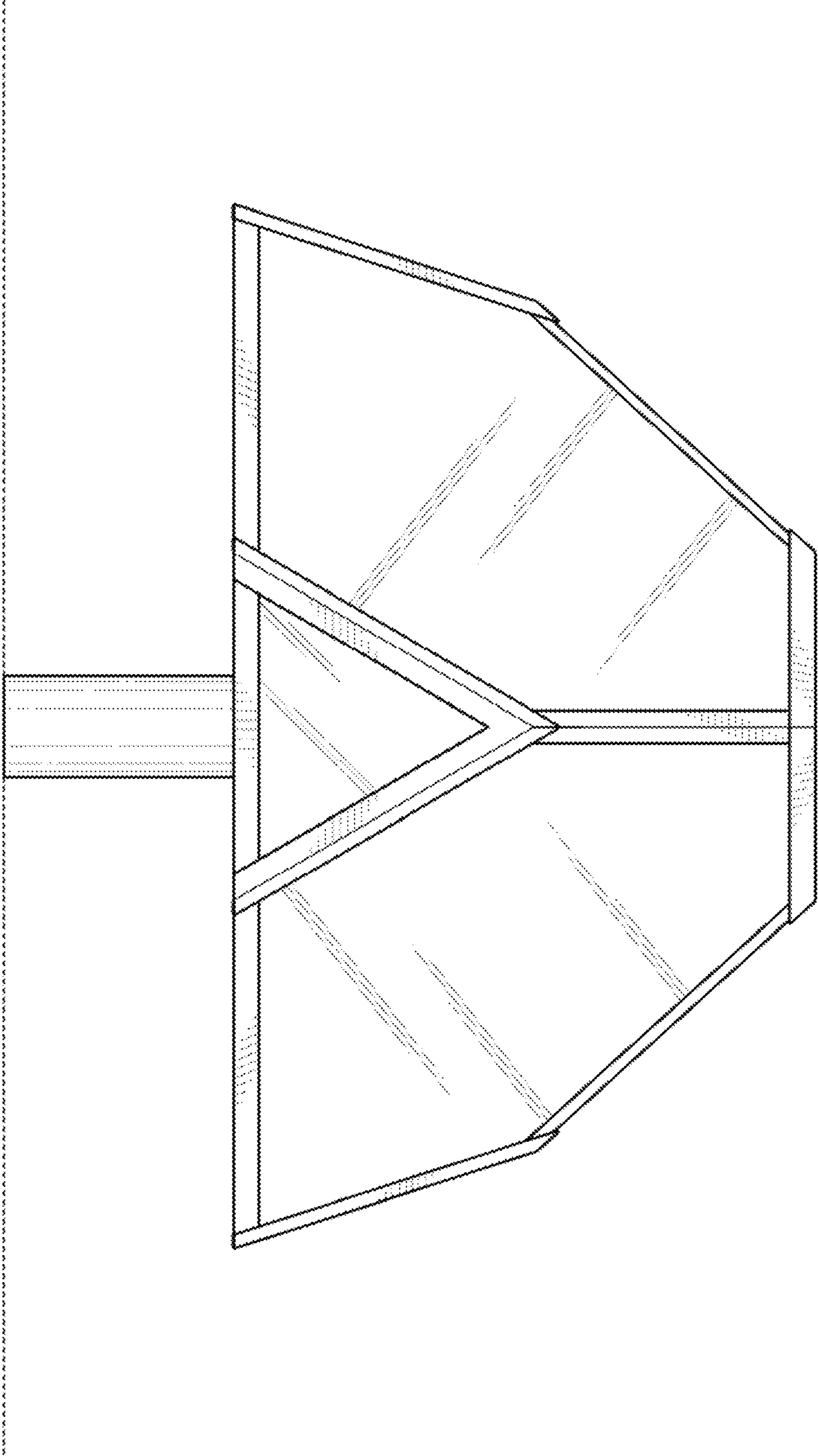


FIG. 2

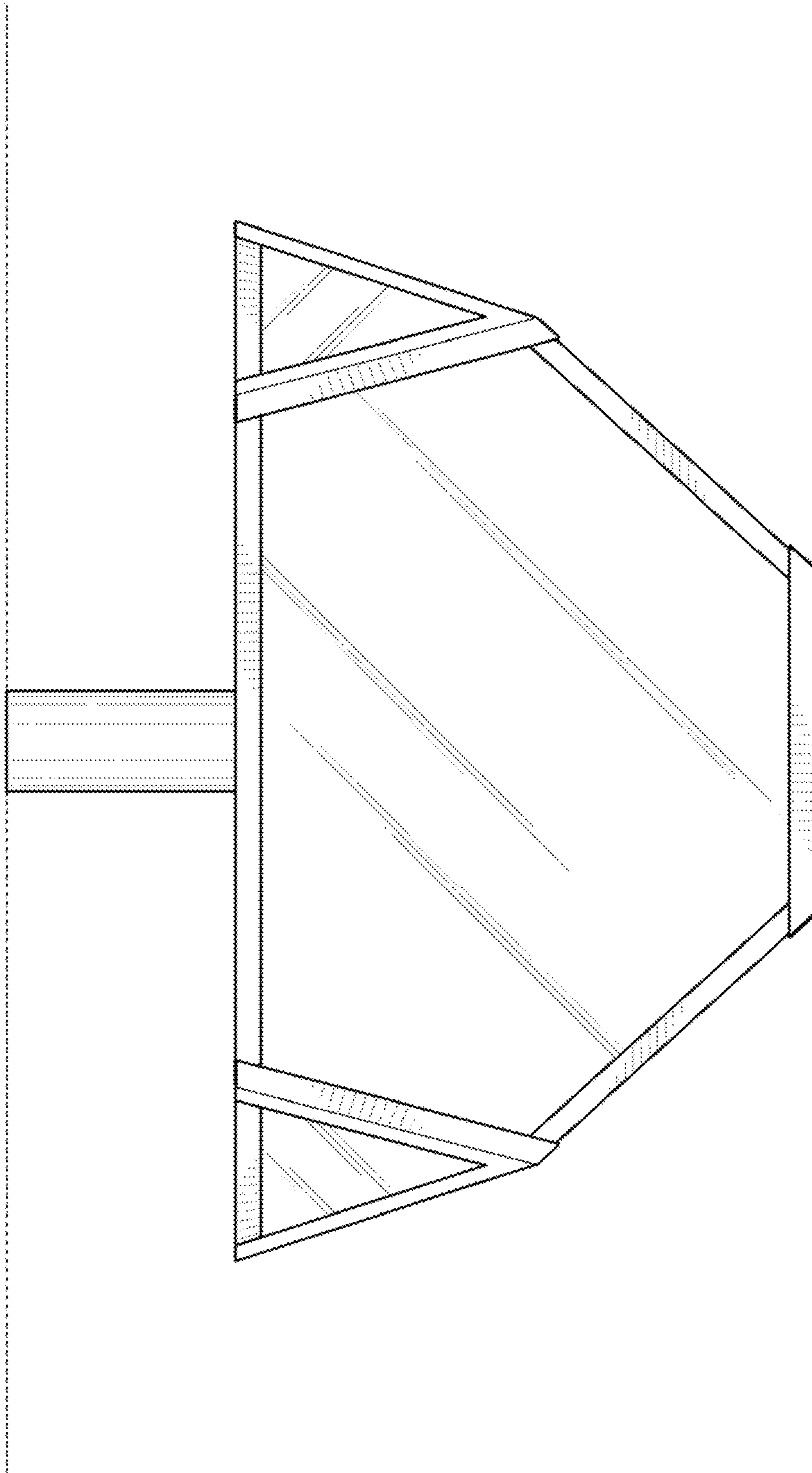


FIG. 3

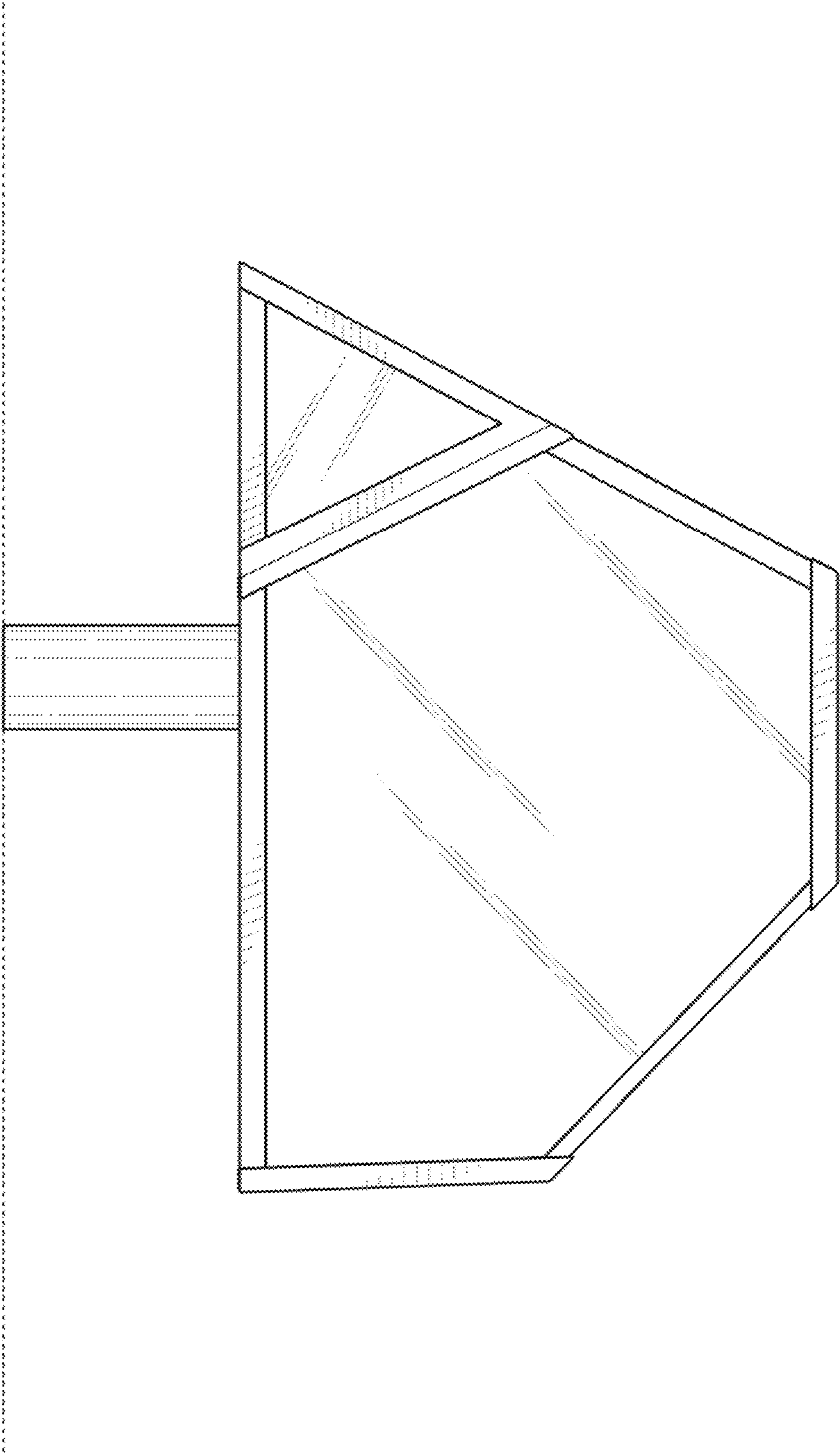


FIG. 4

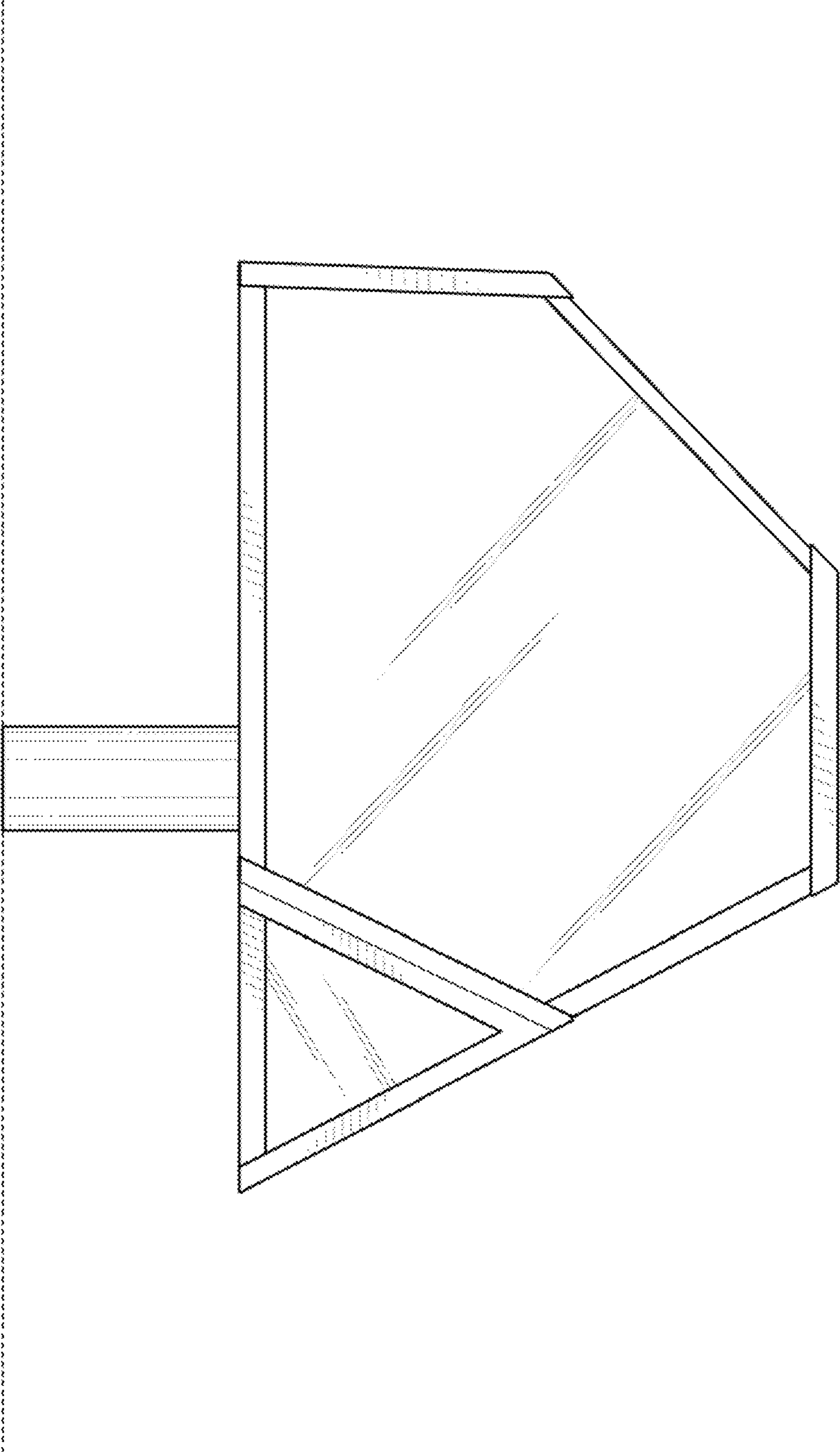


FIG. 5

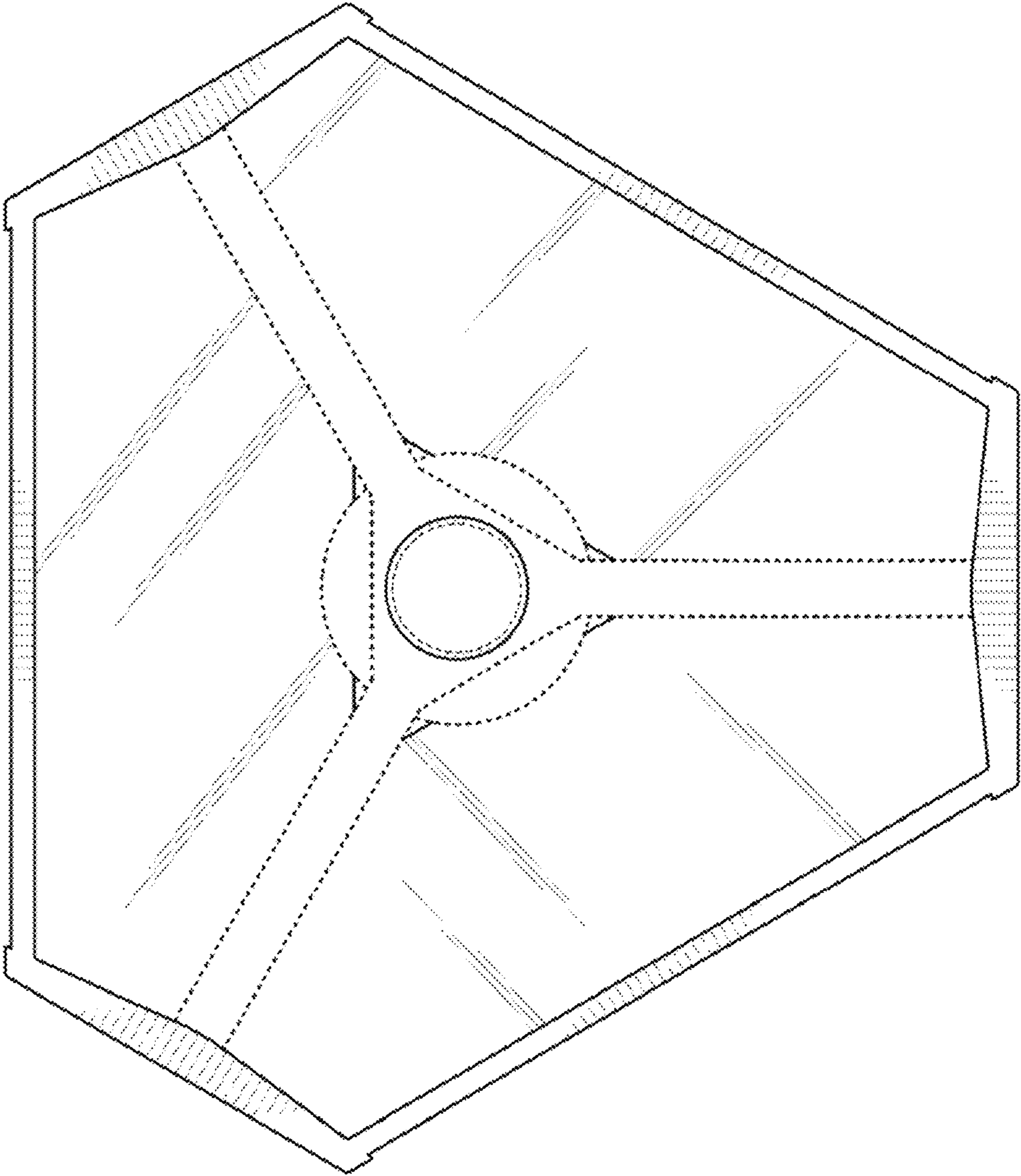


FIG. 6

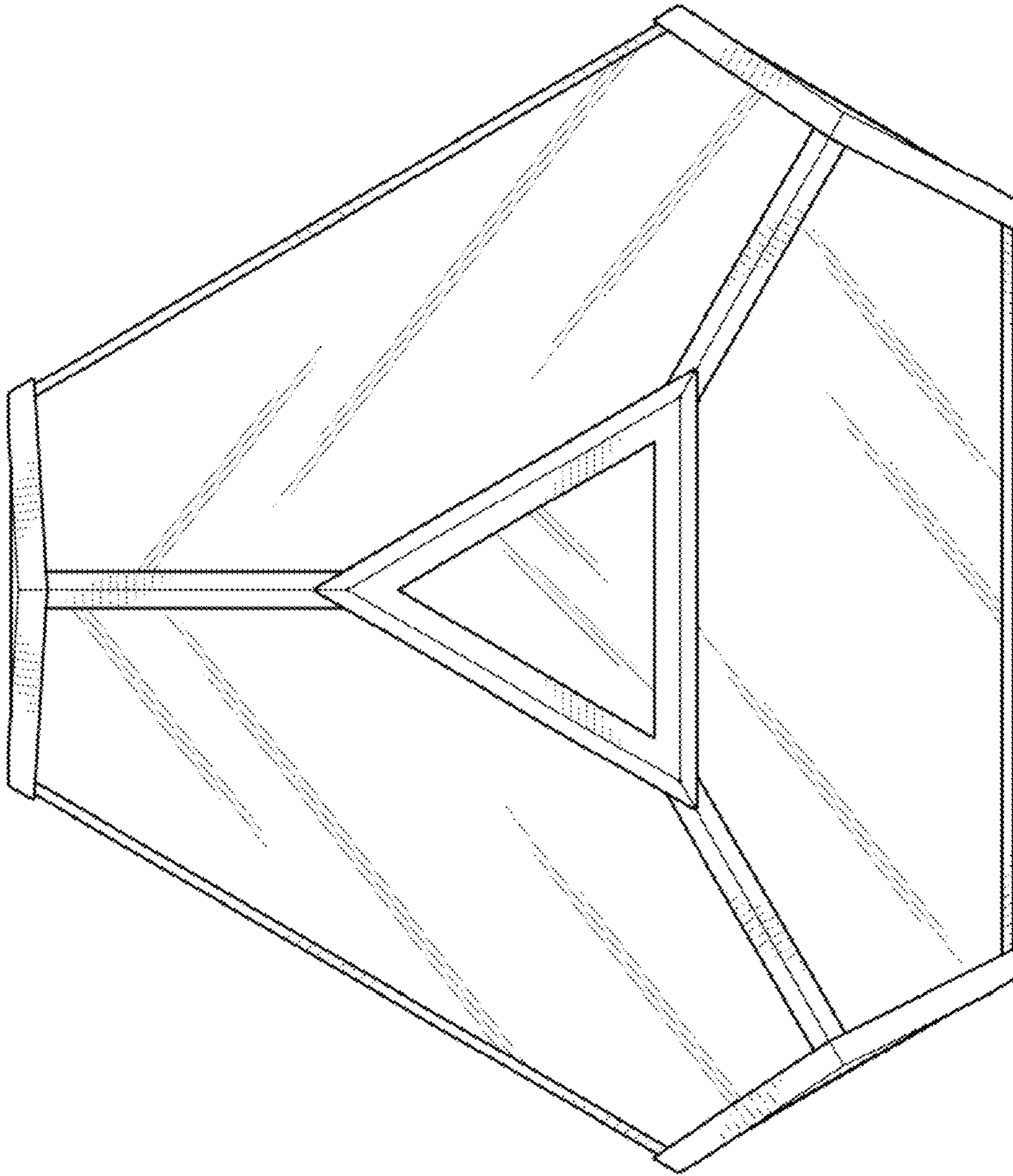


FIG. 7

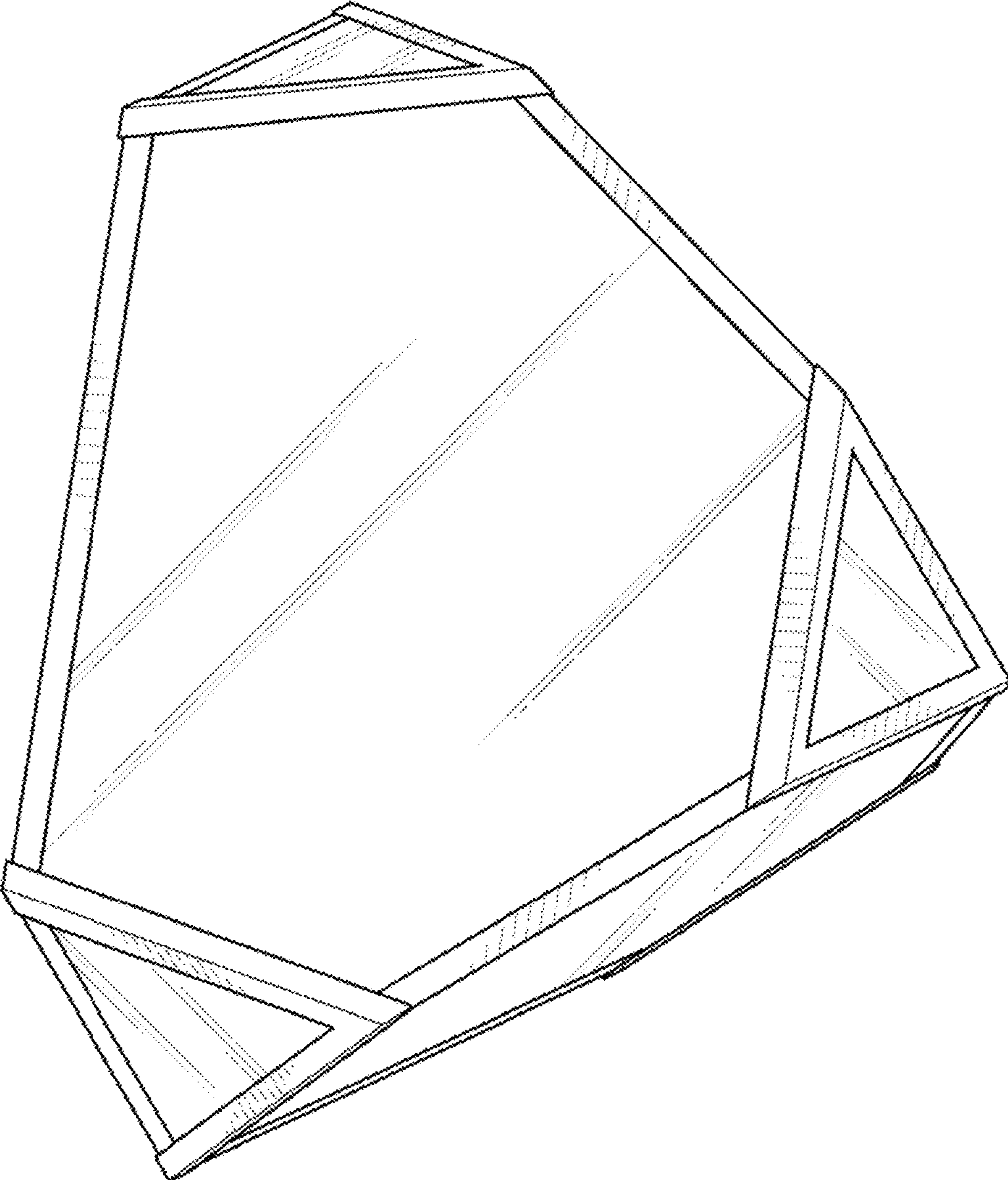


FIG. 8