



US00D807563S

(12) **United States Design Patent**  
**Amato et al.**

(10) **Patent No.:** **US D807,563 S**  
(45) **Date of Patent:** **\*\* Jan. 9, 2018**

(54) **LIGHTING FIXTURE**

(71) Applicant: **The Urban Electric Company**, North Charleston, SC (US)

(72) Inventors: **Michael Amato**, Johns Island, SC (US); **David Dawson**, Charleston, SC (US); **Jonathan Charpia**, Summerville, SC (US); **Christopher Roof**, Charleston, SC (US); **Joeangel Casanova**, North Charleston, SC (US); **Courteney Salisbury**, Mount Pleasant, SC (US); **Brianna Magagnoli**, Charleston, SC (US)

(73) Assignee: **The Urban Electric Company**, North Charleston, SC (US)

(\*\*) Term: **15 Years**

(21) Appl. No.: **29/580,993**

(22) Filed: **Oct. 14, 2016**

(51) **LOC (11) Cl.** ..... **26-03**

(52) **U.S. Cl.**  
USPC ..... **D26/88; D26/90**

(58) **Field of Classification Search**  
USPC ..... D26/80-91, 118, 128, 135  
CPC .... F21S 8/03; F21S 8/033; F21S 8/036; F21S 8/04; F21S 8/043; F21S 8/046; F21S 8/06; F21S 8/061; F21S 8/063; F21S 8/065; F21S 8/068  
See application file for complete search history.

(56) **References Cited**

**U.S. PATENT DOCUMENTS**

D60,561 S \* 3/1922 Mohrmann ..... D26/91  
1,440,301 A \* 12/1922 Klein ..... F21S 8/04  
362/355

1,707,556 A \* 4/1929 Kaden ..... F21S 8/04  
362/433  
D80,088 S \* 12/1929 Plaut ..... D26/91  
1,868,692 A \* 7/1932 Bruckmann ..... F21V 1/00  
362/357  
D206,178 S \* 11/1966 Eckert ..... D26/81  
D427,713 S \* 7/2000 Dolan ..... D26/135  
D465,297 S \* 11/2002 Thomas ..... D26/83  
D548,874 S \* 8/2007 Curtin ..... D26/89  
D551,382 S \* 9/2007 Curtin ..... D26/89  
D557,854 S \* 12/2007 Lewis ..... D26/81  
D666,354 S \* 8/2012 Bracher ..... D26/143  
D775,758 S \* 1/2017 Amato ..... D26/89

\* cited by examiner

*Primary Examiner* — Clare E Heflin

(74) *Attorney, Agent, or Firm* — Jeffrey T. Stover;  
Haynsworth Sinkler Boyd, P.A.

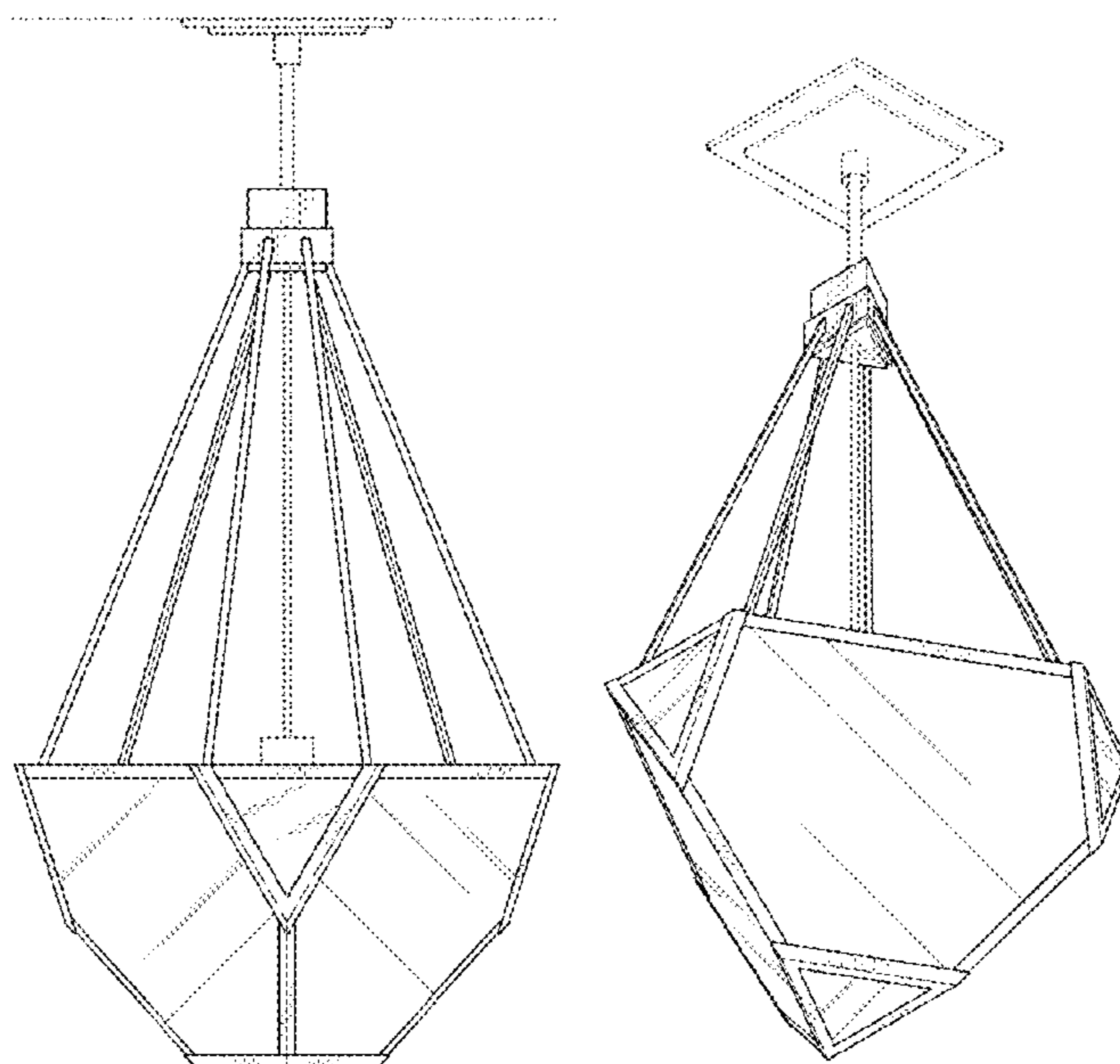
(57) **CLAIM**

The ornamental design for a lighting fixture, as shown and described.

**DESCRIPTION**

FIG. 1 is a top perspective view of a lighting fixture showing the new design;  
FIG. 2 is a front elevational view thereof;  
FIG. 3 is a back elevational view thereof.  
FIG. 4 is a right side elevational view thereof;  
FIG. 5 is a left side elevational view thereof;  
FIG. 6 is a top plan view thereof;  
FIG. 7 is a bottom plan view thereof; and,  
FIG. 8 is a bottom perspective view thereof.  
The broken lines shown on the drawings are understood to represent environmental structure that is not considered part of the claimed design.

**1 Claim, 8 Drawing Sheets**



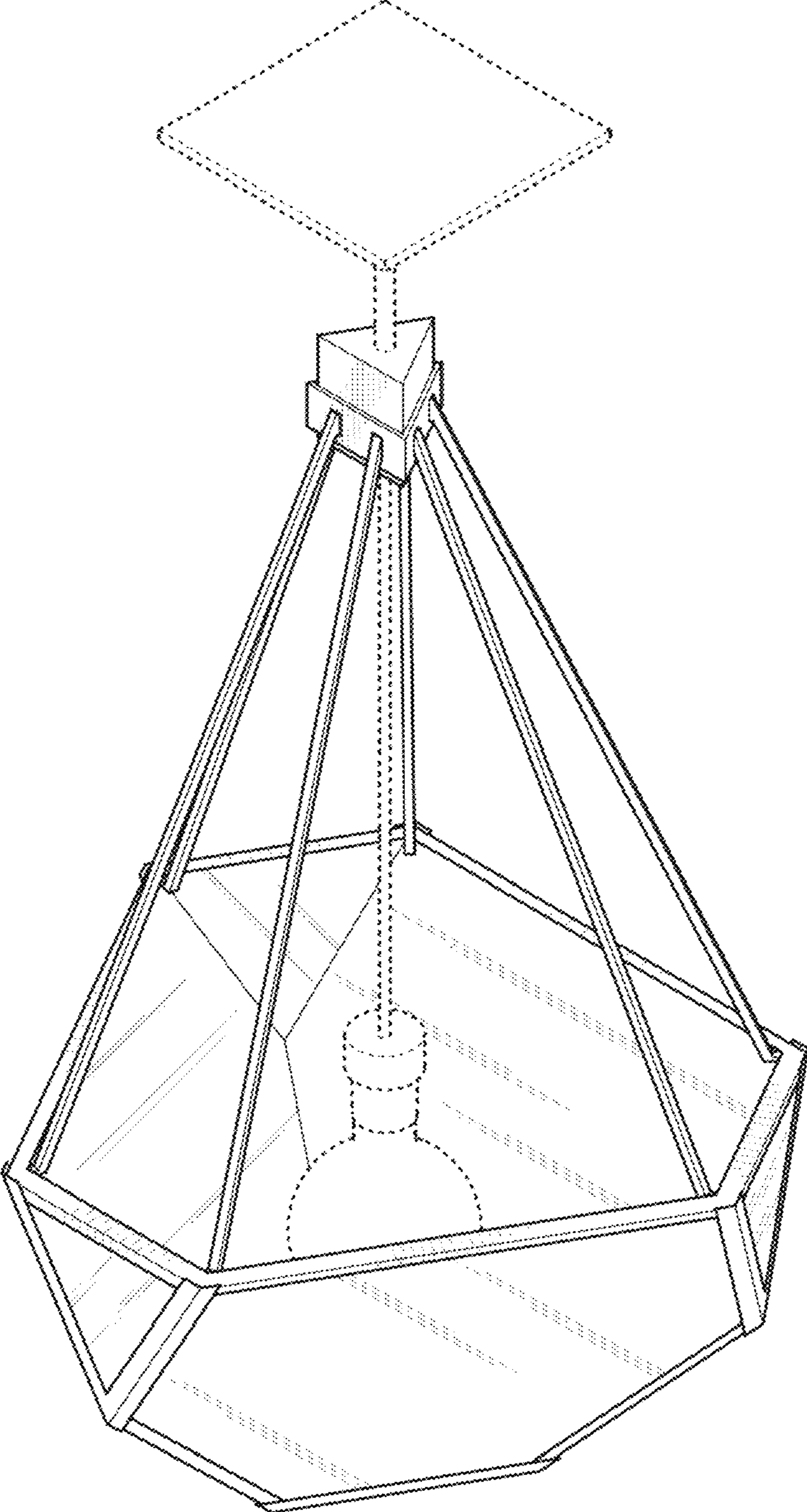


FIG. 1

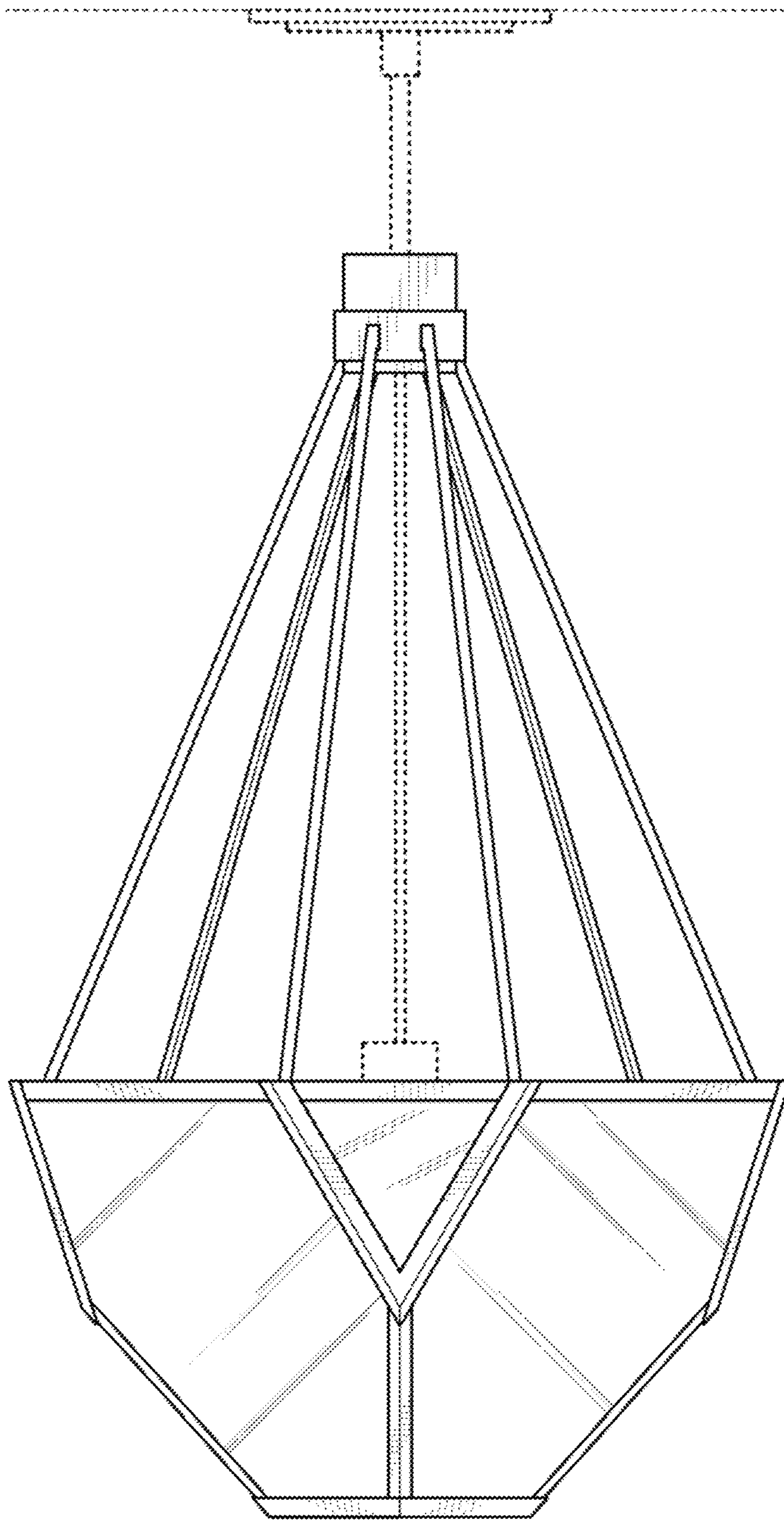


FIG. 2

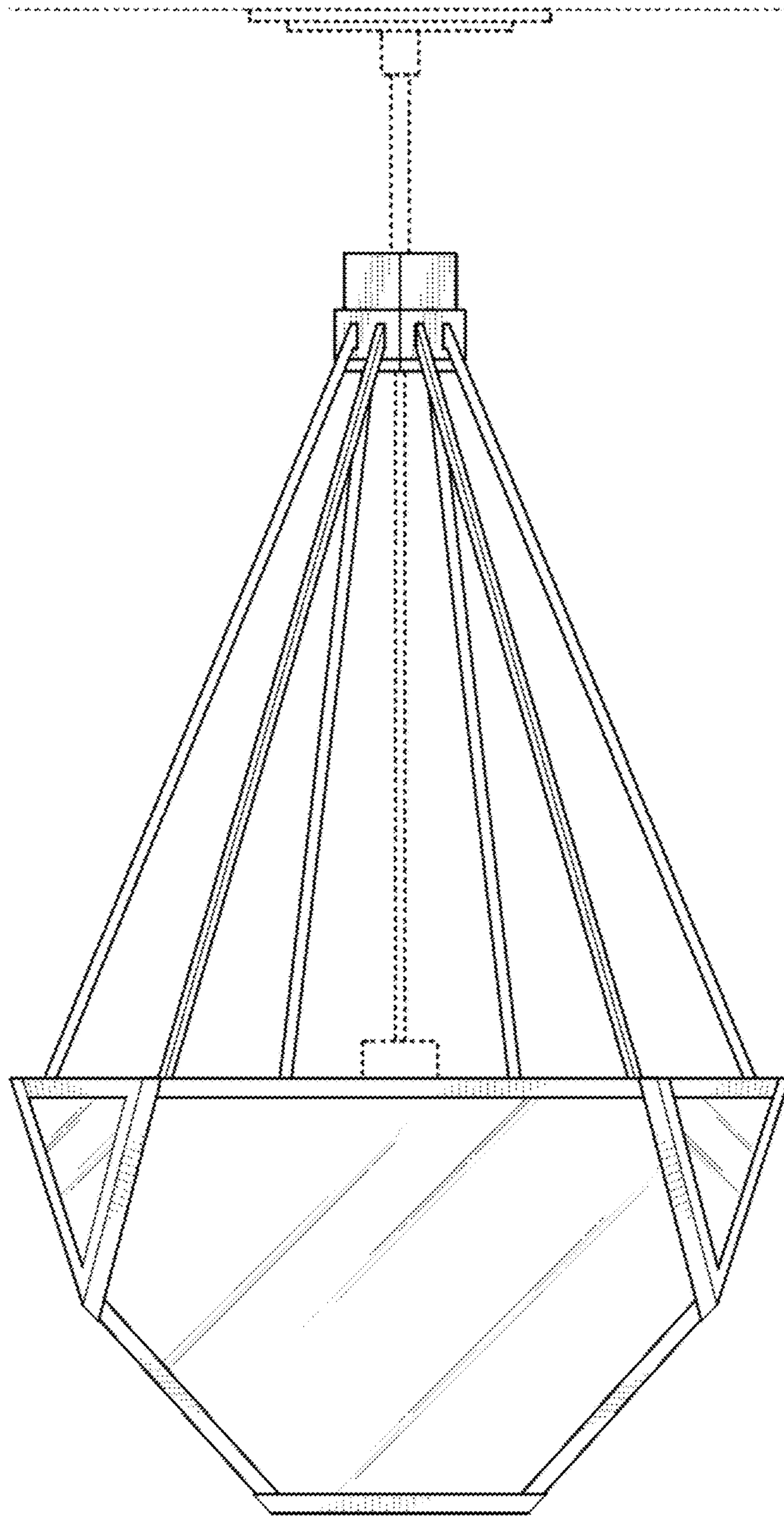


FIG. 3

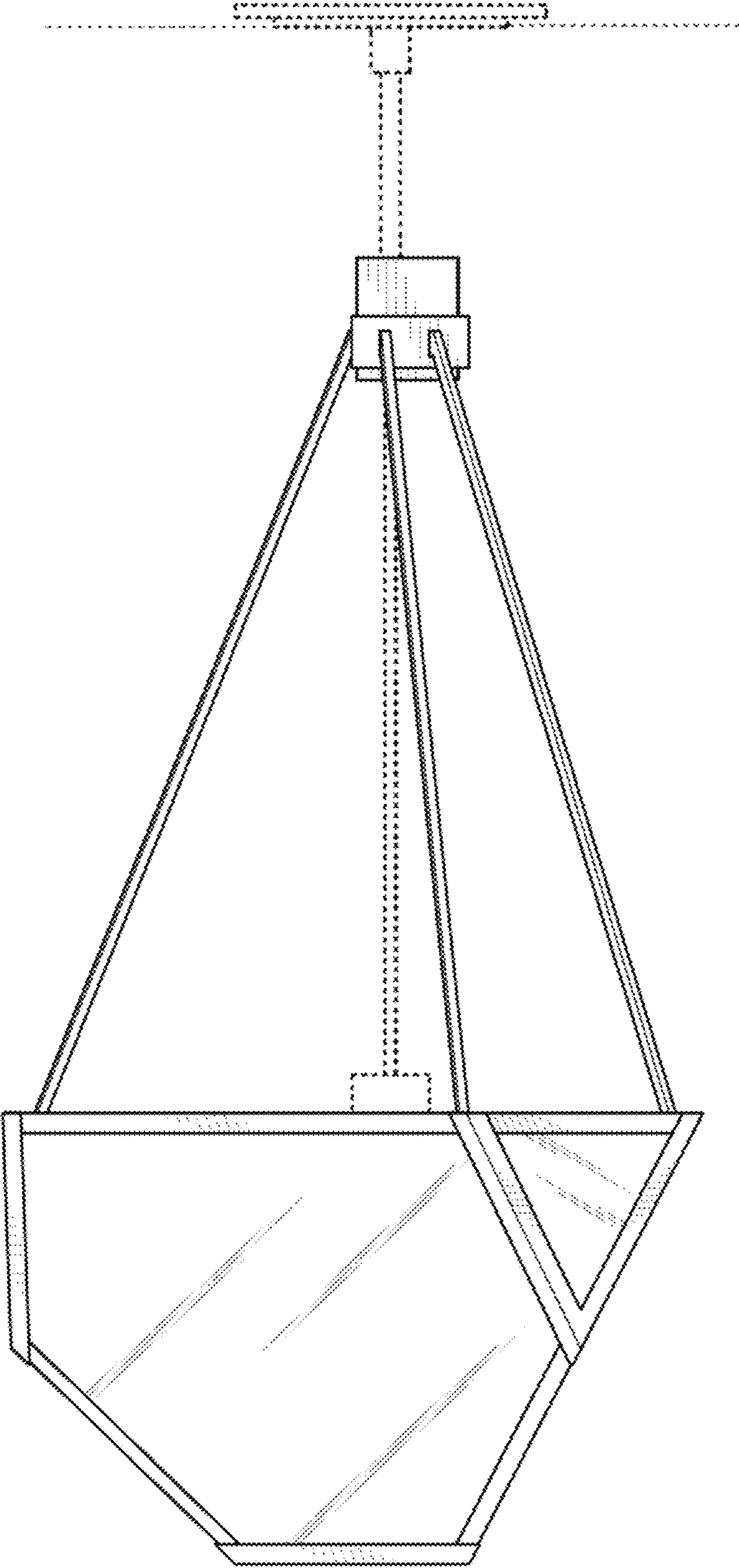


FIG. 4

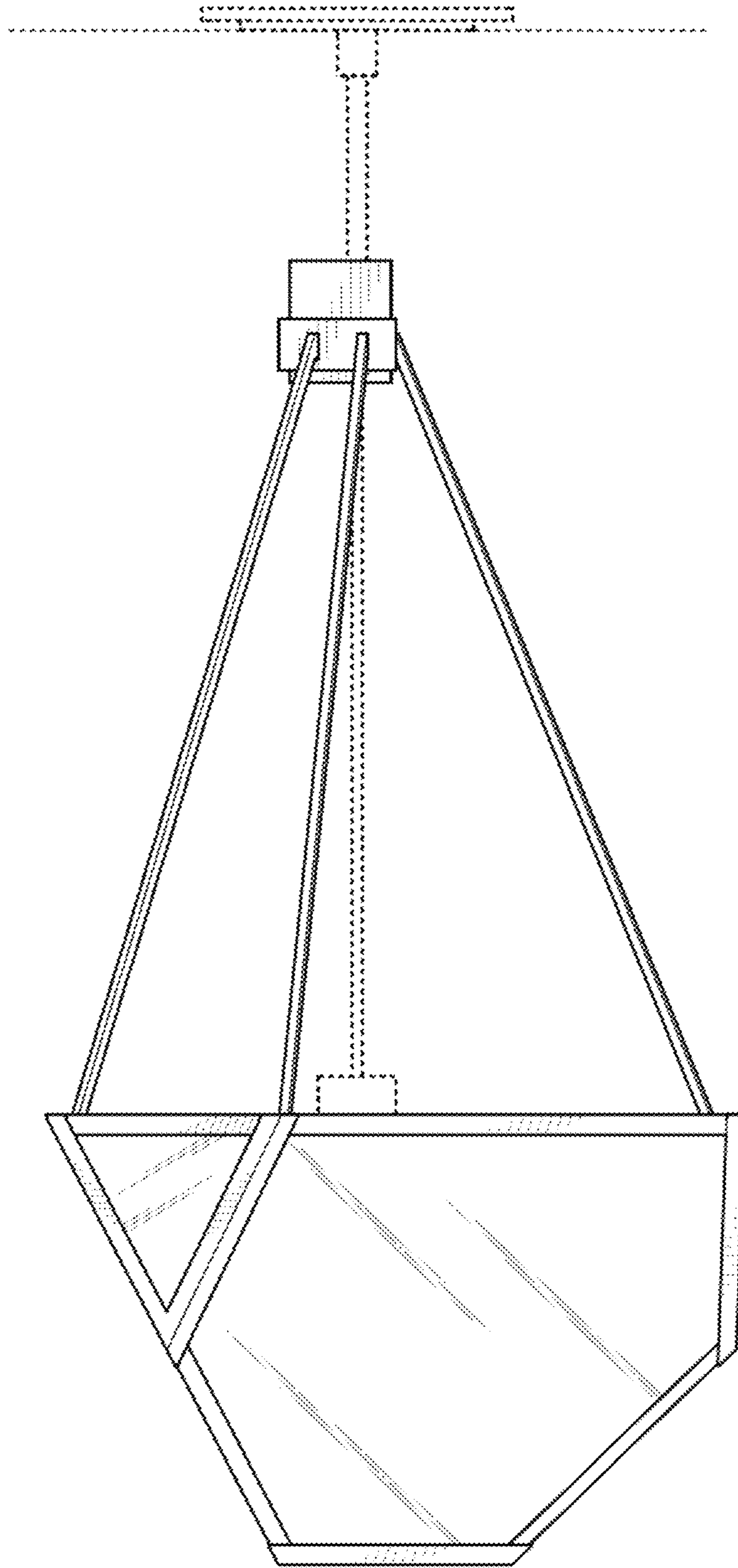


FIG. 5

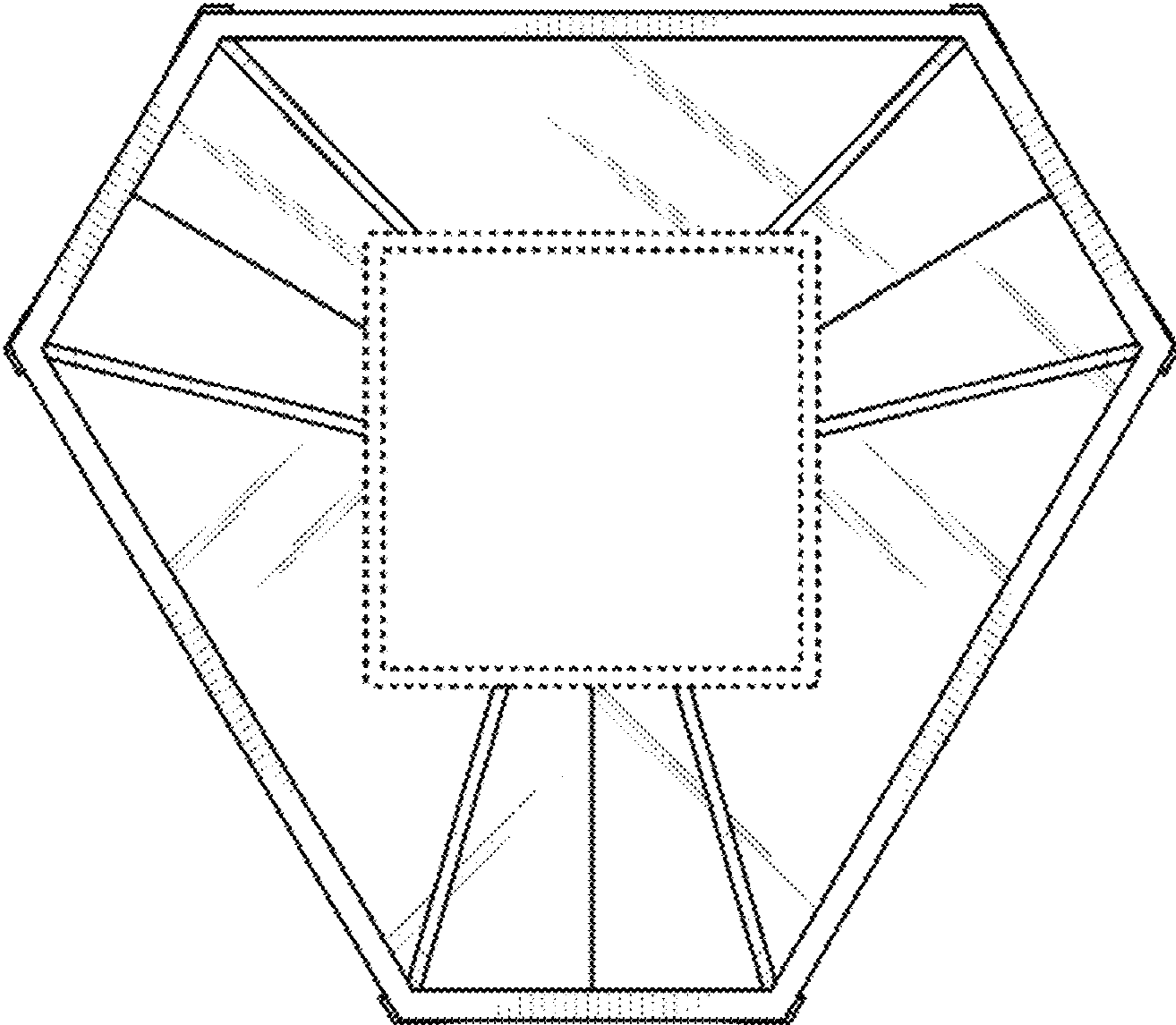


FIG. 6

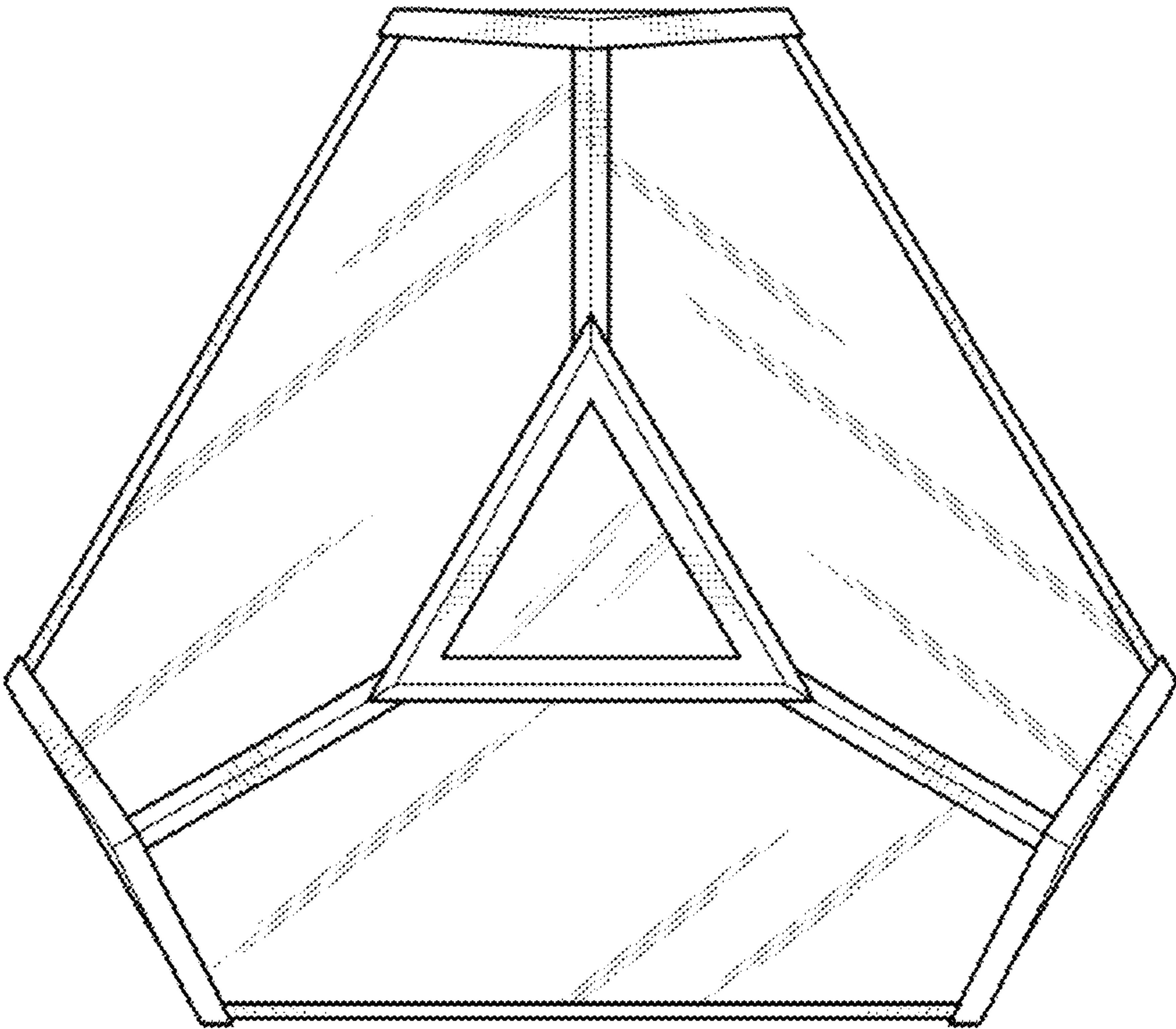


FIG. 7



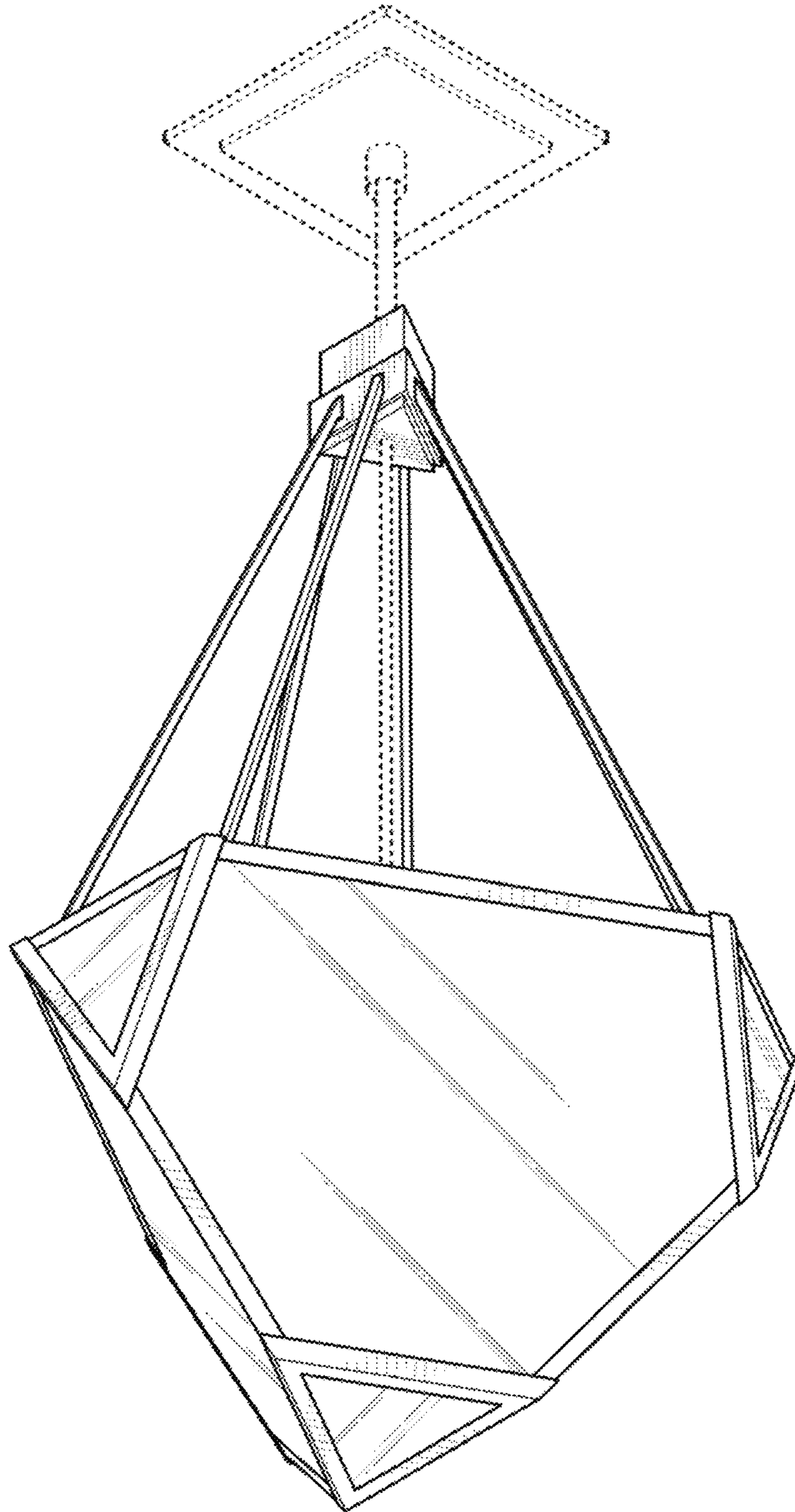


FIG. 8