



US00D807562S

(12) **United States Design Patent** (10) **Patent No.:** **US D807,562 S**
Amato et al. (45) **Date of Patent:** **** Jan. 9, 2018**

(54) **LIGHTING FIXTURE**

(71) Applicant: **The Urban Electric Company**, North Charleston, SC (US)

(72) Inventors: **Michael Amato**, Johns Island, SC (US); **David Dawson**, Charleston, SC (US); **Jonathan Charpia**, Summerville, SC (US); **Christopher Roof**, Charleston, SC (US); **Joeangel Casanova**, North Charleston, SC (US); **Courteney Salsbury**, Mount Pleasant, SC (US); **Brianna Magagnoli**, Charleston, SC (US)

(73) Assignee: **The Urban Electric Company**, North Charleston, SC (US)

(**) Term: **15 Years**

(21) Appl. No.: **29/558,529**

(22) Filed: **Mar. 18, 2016**

(51) **LOC (11) Cl.** **26-03**

(52) **U.S. Cl.**
USPC **D26/88; D26/89**

(58) **Field of Classification Search**
USPC D26/67, 72, 83, 85, 86, 88, 89
CPC F21S 8/06; F21S 8/061; F21S 8/063; F21S 8/065; F21S 8/068; F21V 3/0418; F21V 3/0427; F21V 3/0436; F21V 3/0445; F21V 21/008; F21V 21/104
See application file for complete search history.

(56) **References Cited**

U.S. PATENT DOCUMENTS

D37,825 S *	2/1906	Mygatt	D26/88
D41,377 S *	5/1911	Macbeth	D26/88
D51,865 S *	3/1918	McKinnie	D26/88
D86,420 S *	3/1932	Sutter	D26/88
D90,938 S *	10/1933	Beck	D26/88

D178,212 S *	7/1956	Schreckengost	D26/89
D409,789 S *	5/1999	Crosby	D26/85
D663,470 S *	7/2012	Ruiz	D26/88
D667,984 S *	9/2012	van den Akker	D26/89
D667,985 S *	9/2012	Gielen	D26/89
D758,637 S *	6/2016	Herzog	D26/136
D781,487 S *	3/2017	Starck	D26/89
2014/0056026 A1 *	2/2014	Boomgaarden	F21S 8/026 362/609

OTHER PUBLICATIONS

Coran single edison bulb metal semi-flush mount light. Found at homary.com visited Aug. 21, 2017.(4 pages).*

Coran single edison bulb metal suspended ceiling light. Found at houzz.com visited Aug. 21, 2017.*

Marin V.1 by the Urban Electric Co. © 2016. Found at urbanelectricco.com visited Aug. 21, 2017.(7 pages).*

Marin V.2 by the Urban Electric Co. © 2016. Found at urbanelectricco.com visited Aug. 21, 2017.(3 pages).*

* cited by examiner

Primary Examiner — Clare E Heflin

(74) *Attorney, Agent, or Firm* — Jeffrey T. Stover; Haynsworth Sinkler Boyd, P.A.

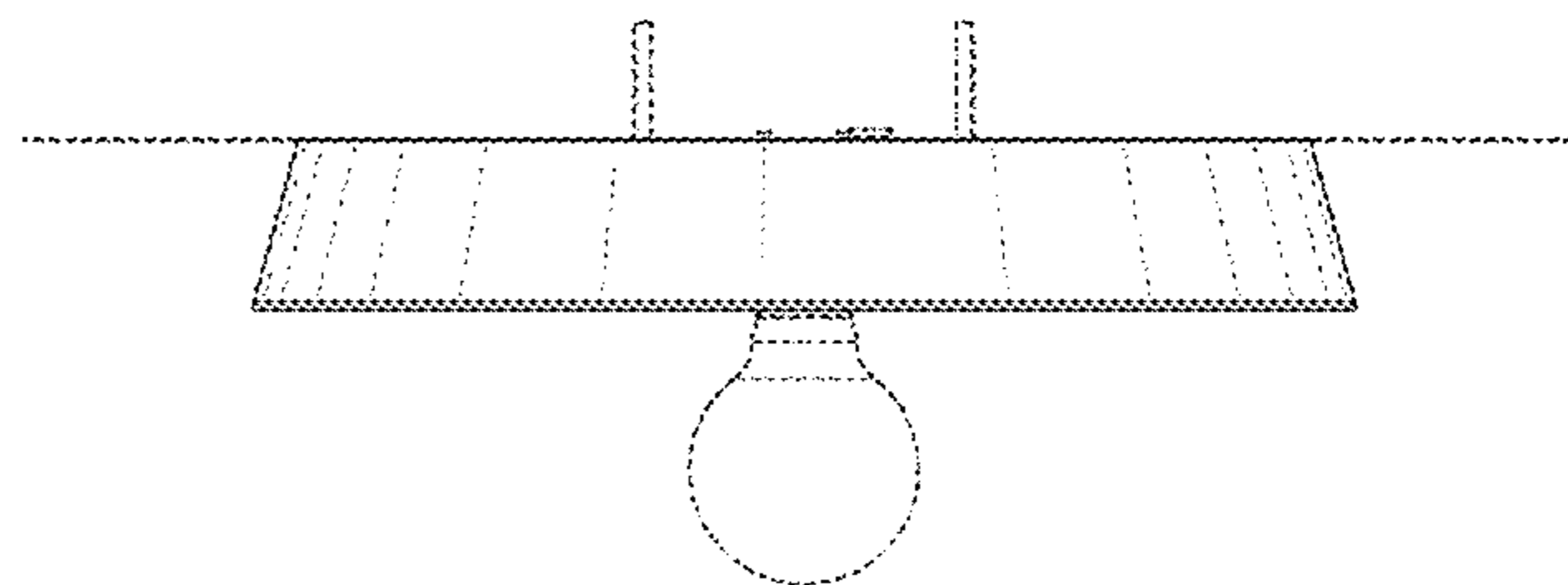
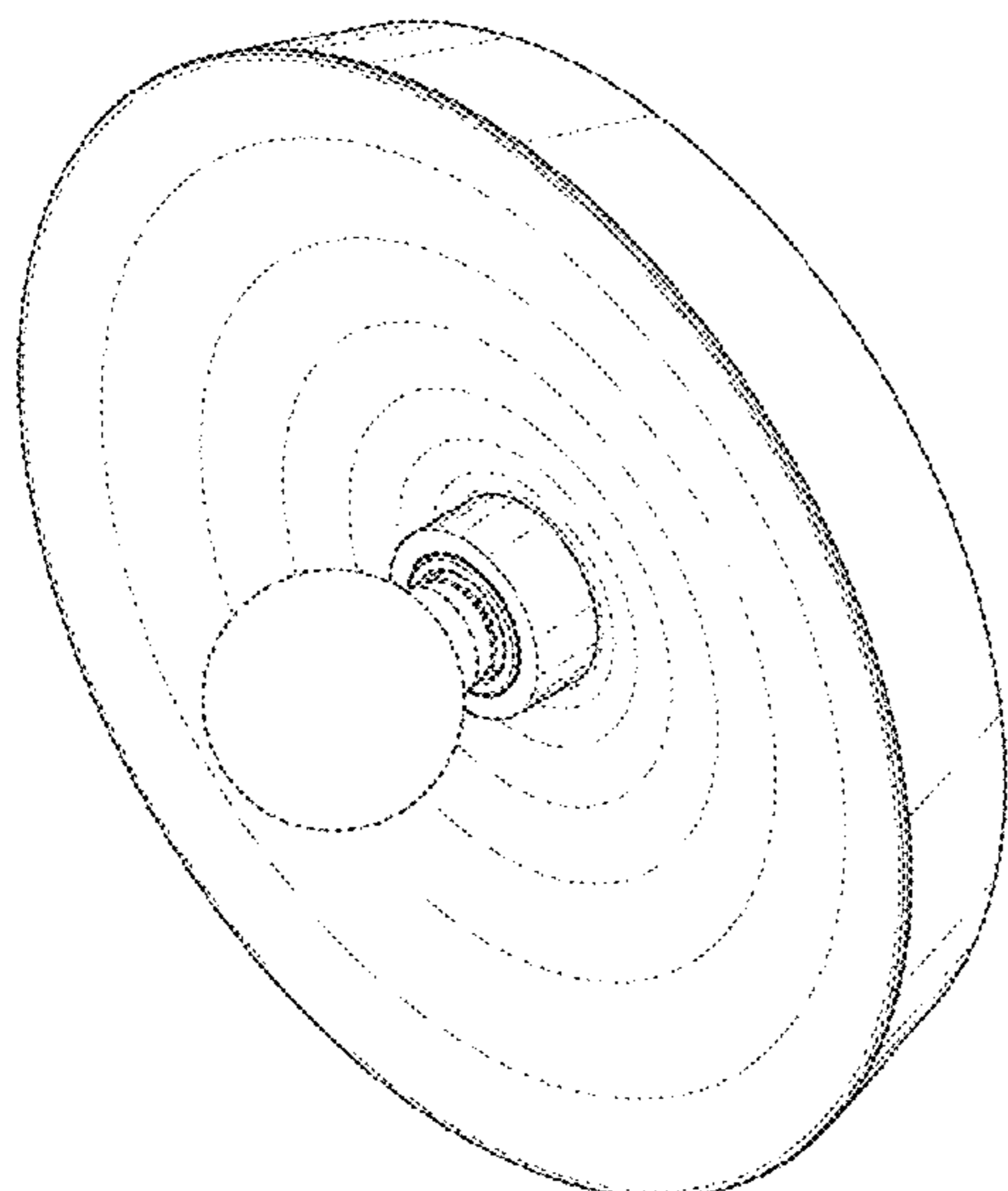
(57) **CLAIM**

The ornamental design for a lighting fixture, as shown and described.

DESCRIPTION

FIG. 1 is a perspective view of a new lighting fixture design; FIG. 2 is a bottom plan view thereof; FIG. 3 is a top plan view thereof; FIG. 4 is a right side elevation view thereof; FIG. 5 is a left side elevation view thereof; FIG. 6 is a front elevation view thereof; and, FIG. 7 is a back elevation view thereof. The broken line disclosure in the views represents environmental structure which forms no part of the claimed design.

1 Claim, 7 Drawing Sheets



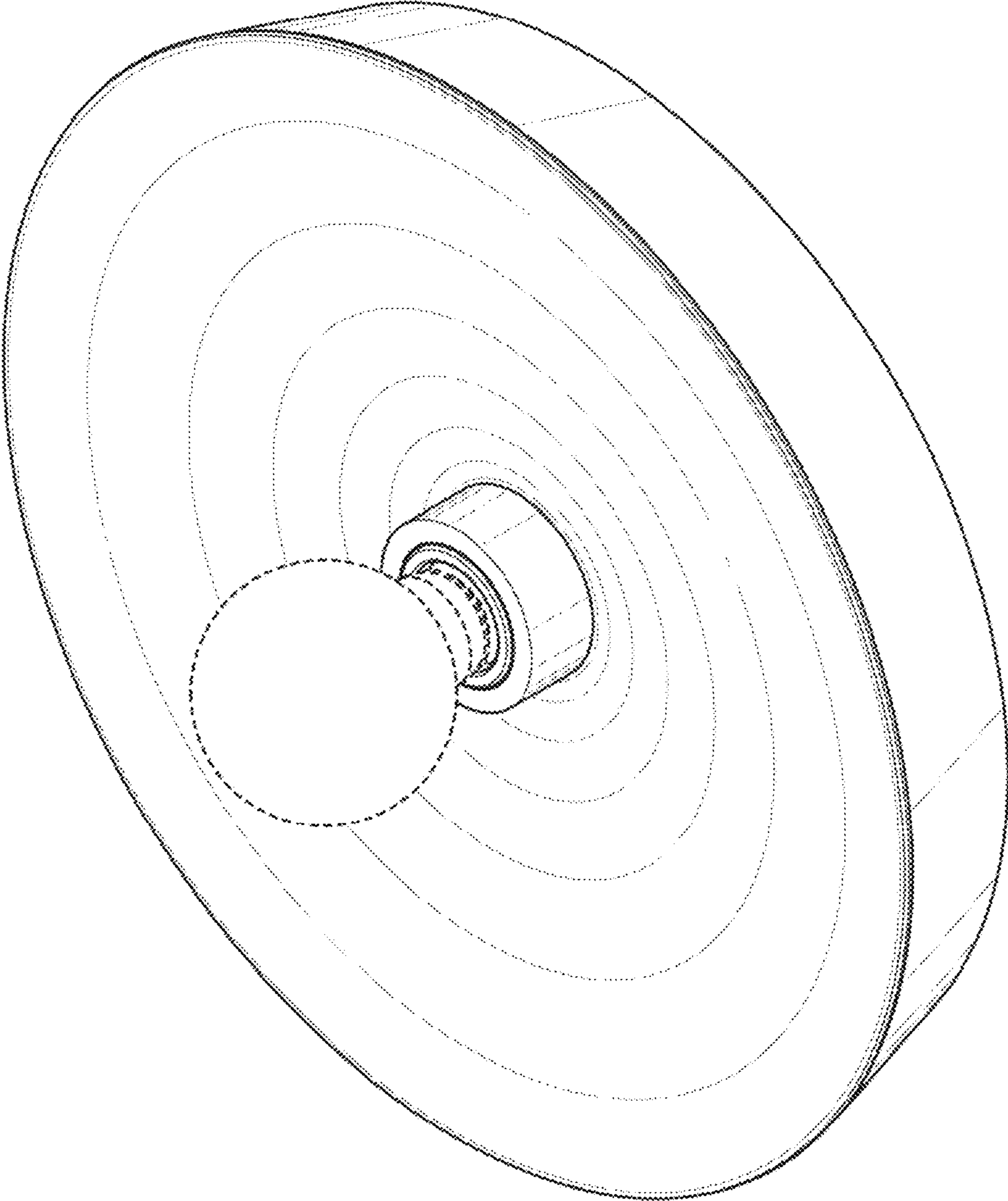


FIG. 1

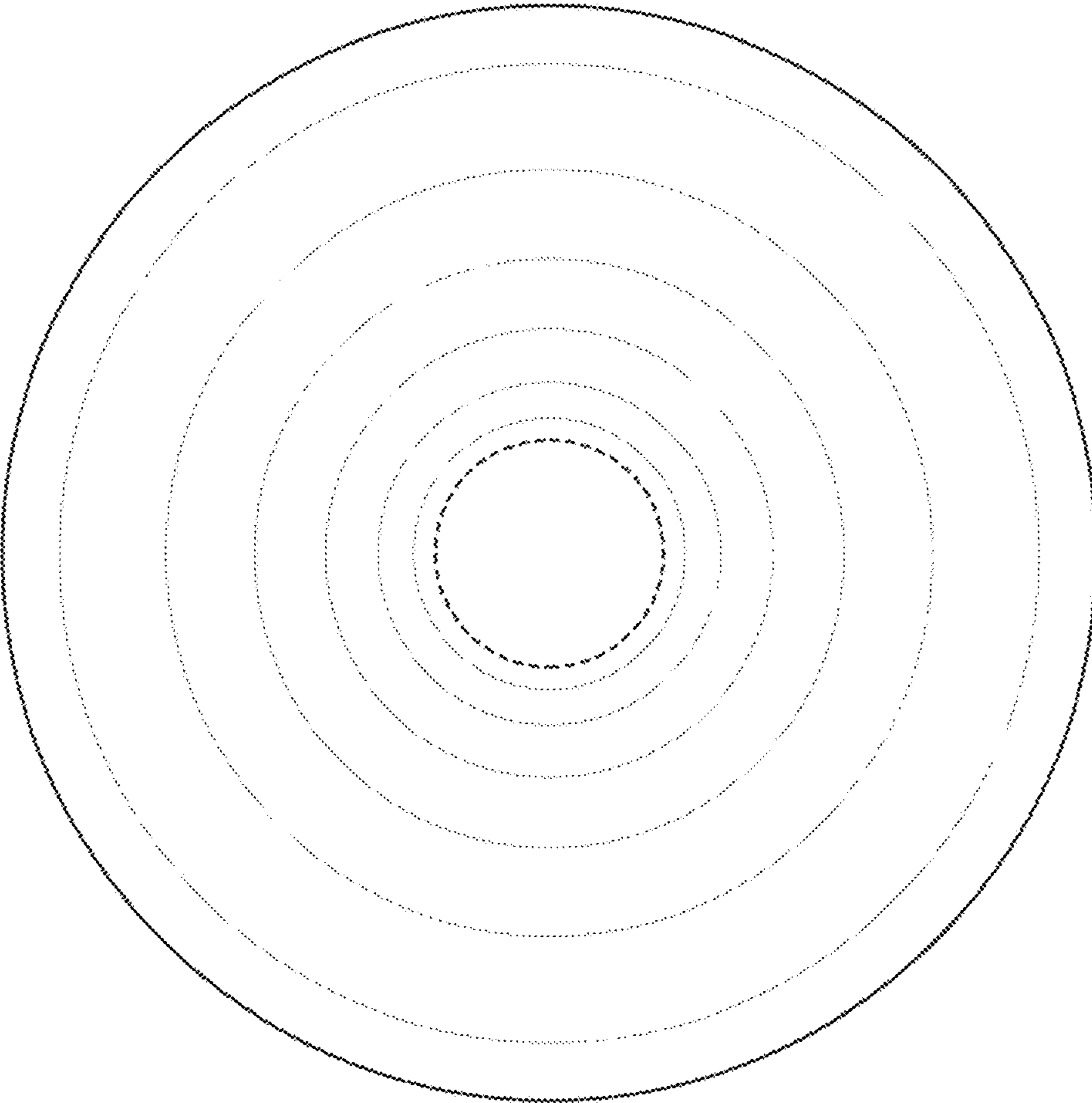


FIG. 2

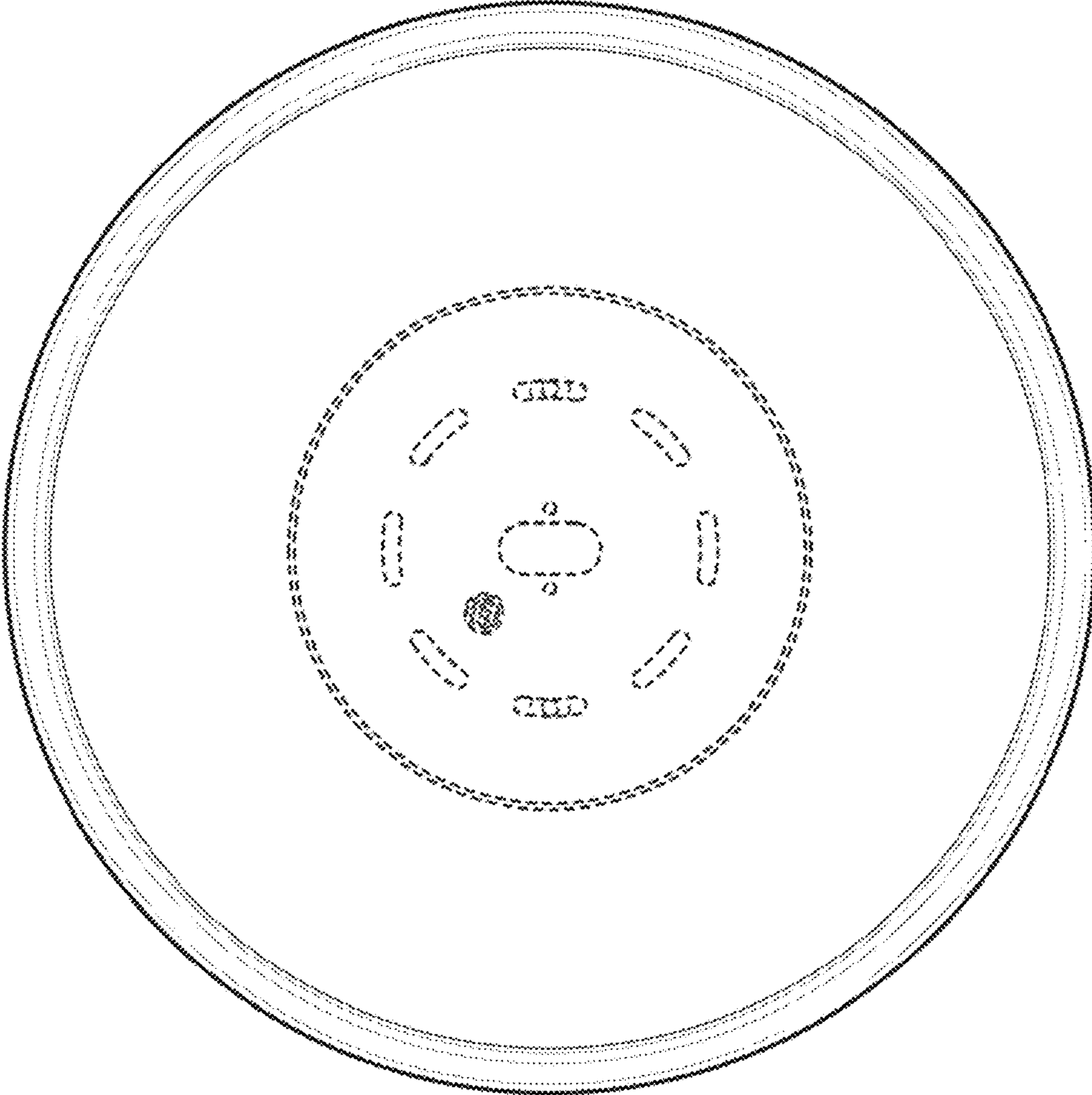


FIG. 3

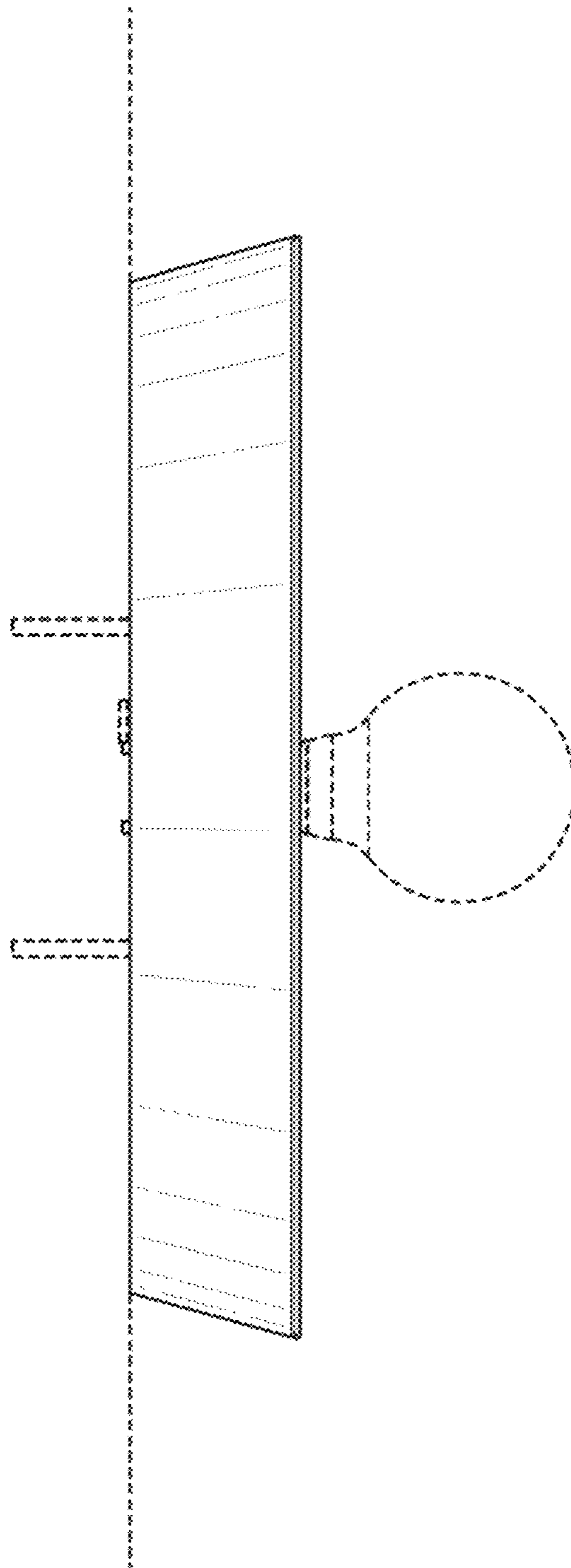


FIG. 4

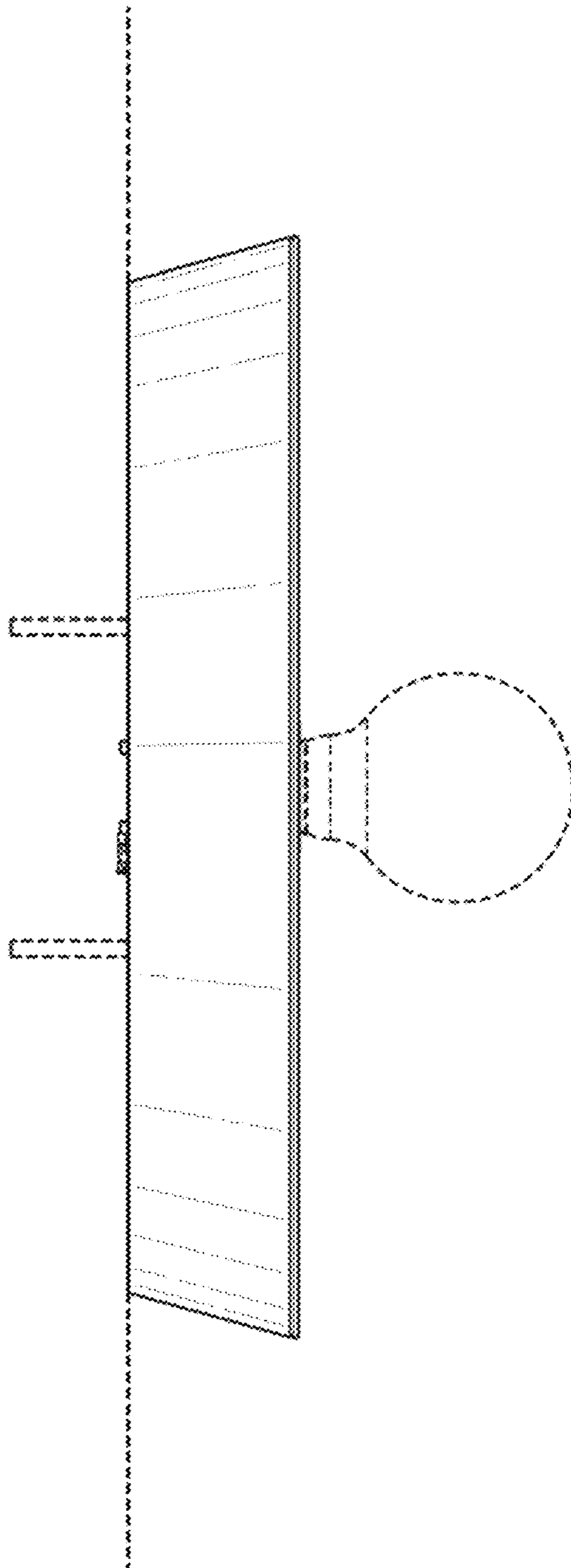


FIG. 5

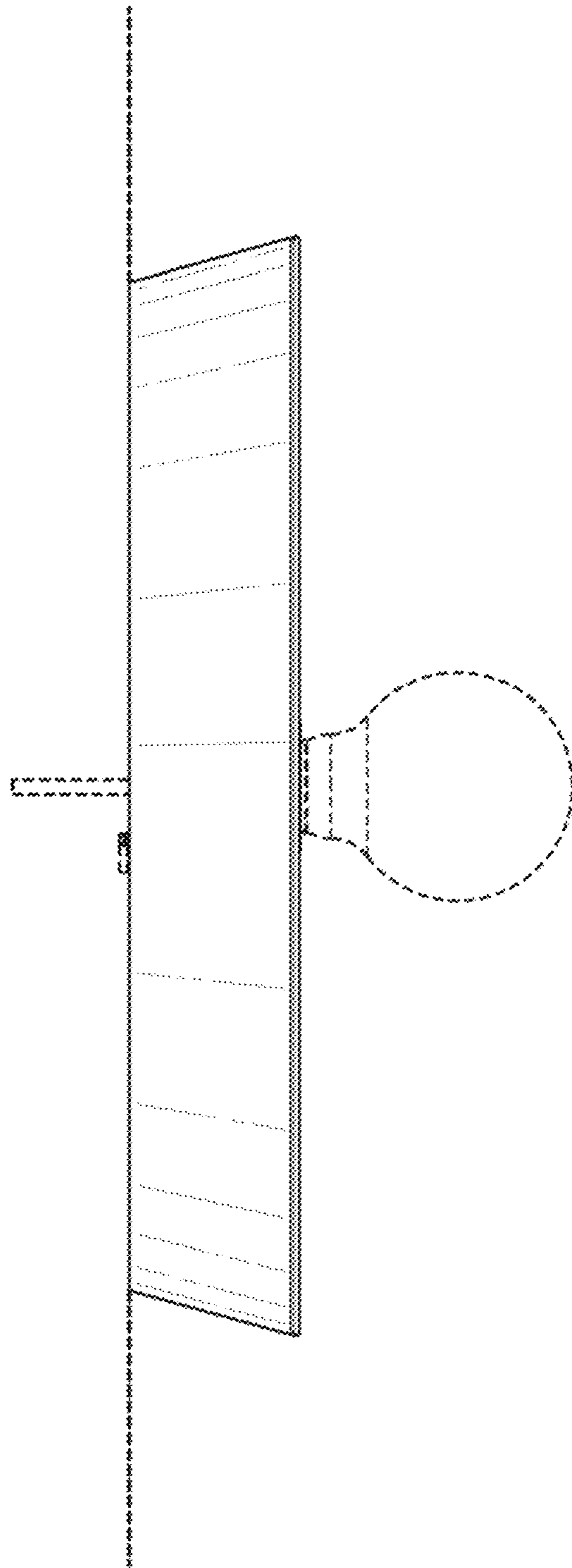


FIG. 6

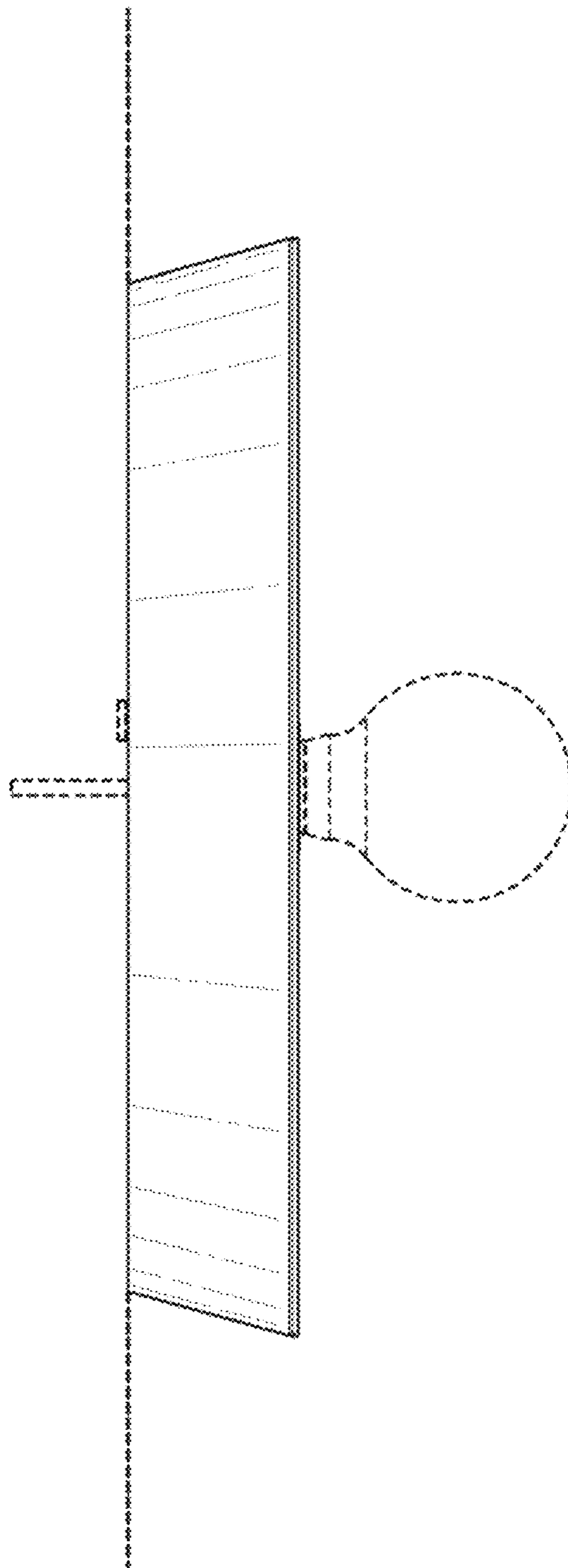


FIG. 7