



US00D807559S

(12) **United States Design Patent** (10) **Patent No.:** **US D807,559 S**
Zhang et al. (45) **Date of Patent:** **** Jan. 9, 2018**

(54) **LAMP**

(56) **References Cited**

(71) Applicant: **PHILIPS LIGHTING HOLDING B.V.**, Eindhoven (NL)
(72) Inventors: **Kevin Hy Zhang**, Shanghai (CN); **Nina Wang**, Shanghai (CN)

U.S. PATENT DOCUMENTS

D599,041 S *	8/2009	Yoo	D26/2
D624,691 S *	9/2010	Zhang	D26/138
D626,258 S *	10/2010	Mathew	D26/2
D626,259 S *	10/2010	Mathew	D26/2
D640,819 S *	6/2011	Pan	D26/74
D656,263 S *	3/2012	Ogawa	D26/74
D672,899 S *	12/2012	Van De Ven	D26/74
D683,882 S *	6/2013	Rashidi	D26/74
D684,288 S *	6/2013	Gielen	D26/74
D687,587 S *	8/2013	Rashidi	D26/74
D690,049 S *	9/2013	Rashidi	D26/74
D708,381 S *	7/2014	Rashidi	D26/74
D739,590 S *	9/2015	Redfern	D26/74
D774,216 S *	12/2016	Zhu	D26/2

(73) Assignee: **PHILIPS LIGHTING HOLDING B.V.**, Eindhoven (NL)

(**) Term: **15 Years**

(21) Appl. No.: **35/501,587**

(22) Filed: **Sep. 2, 2016**

(80) **Hague Agreement Data**

Int. Filing Date: **Sep. 2, 2016**
Int. Reg. No.: **DM/092384**
Int. Reg. Date: **Sep. 2, 2016**
Int. Reg. Pub. Date: **Sep. 16, 2016**

* cited by examiner

Primary Examiner — Richard E Chilcot

(51) **LOC (11) Cl.** **26-05**

(57) **CLAIM**

The ornamental design for a lamp, as shown and described.

(52) **U.S. Cl.**

USPC **D26/74**
CPC **F21V 21/047** (2013.01)

DESCRIPTION

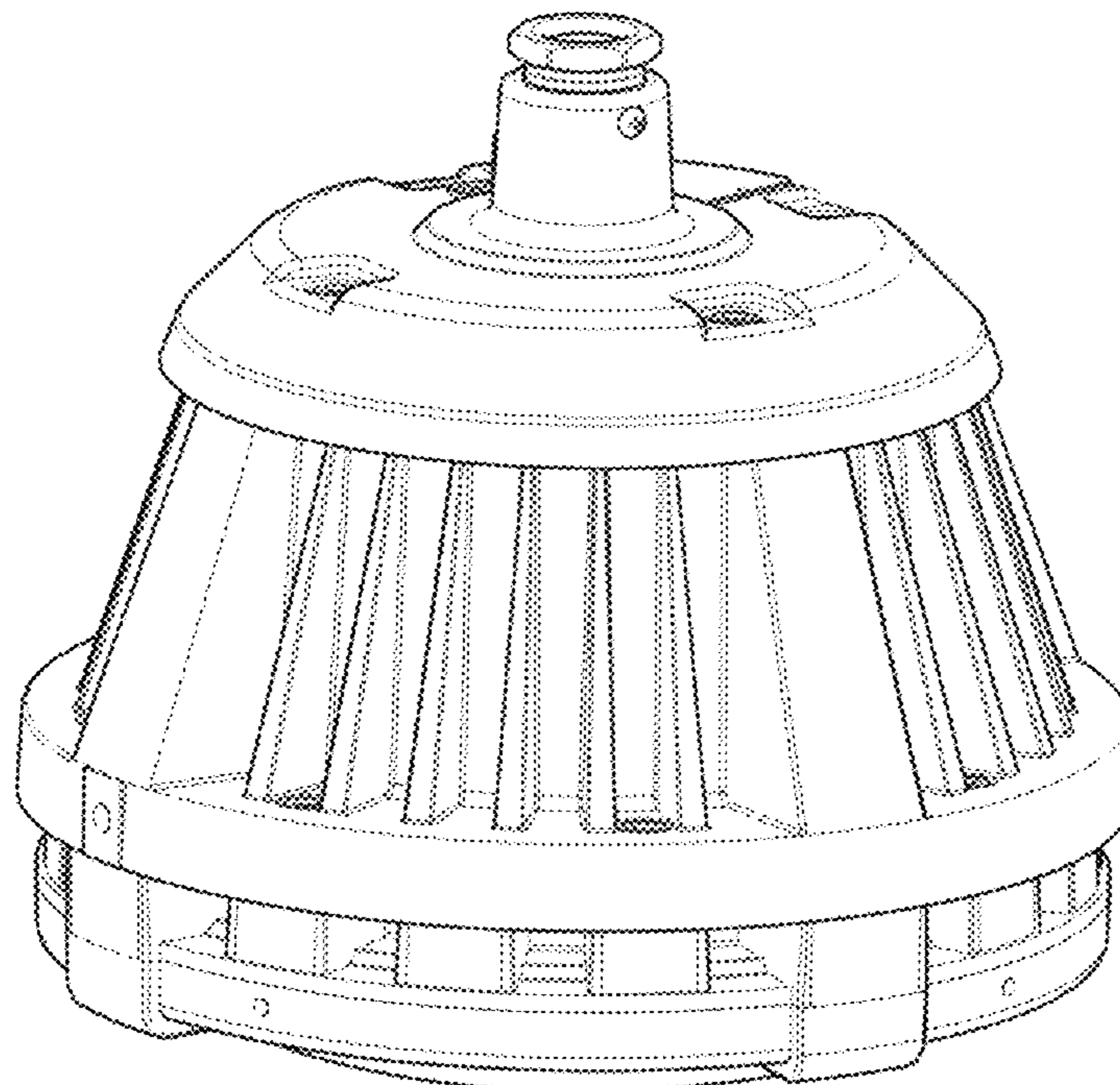
(58) **Field of Classification Search**

USPC D26/72-89, 118, 138, 141; 362/150, 362/153, 153.1, 294, 296.01, 365, 373, 362/296.08, 296.07
CPC F21V 29/2262; F21V 7/06; F21V 21/044; F21V 21/047; F21V 29/2212; F21V 29/2225; F21V 29/2256; F21V 29/225; F21V 29/2268; F21Y 2111/002; F21S 8/02; F21S 8/026

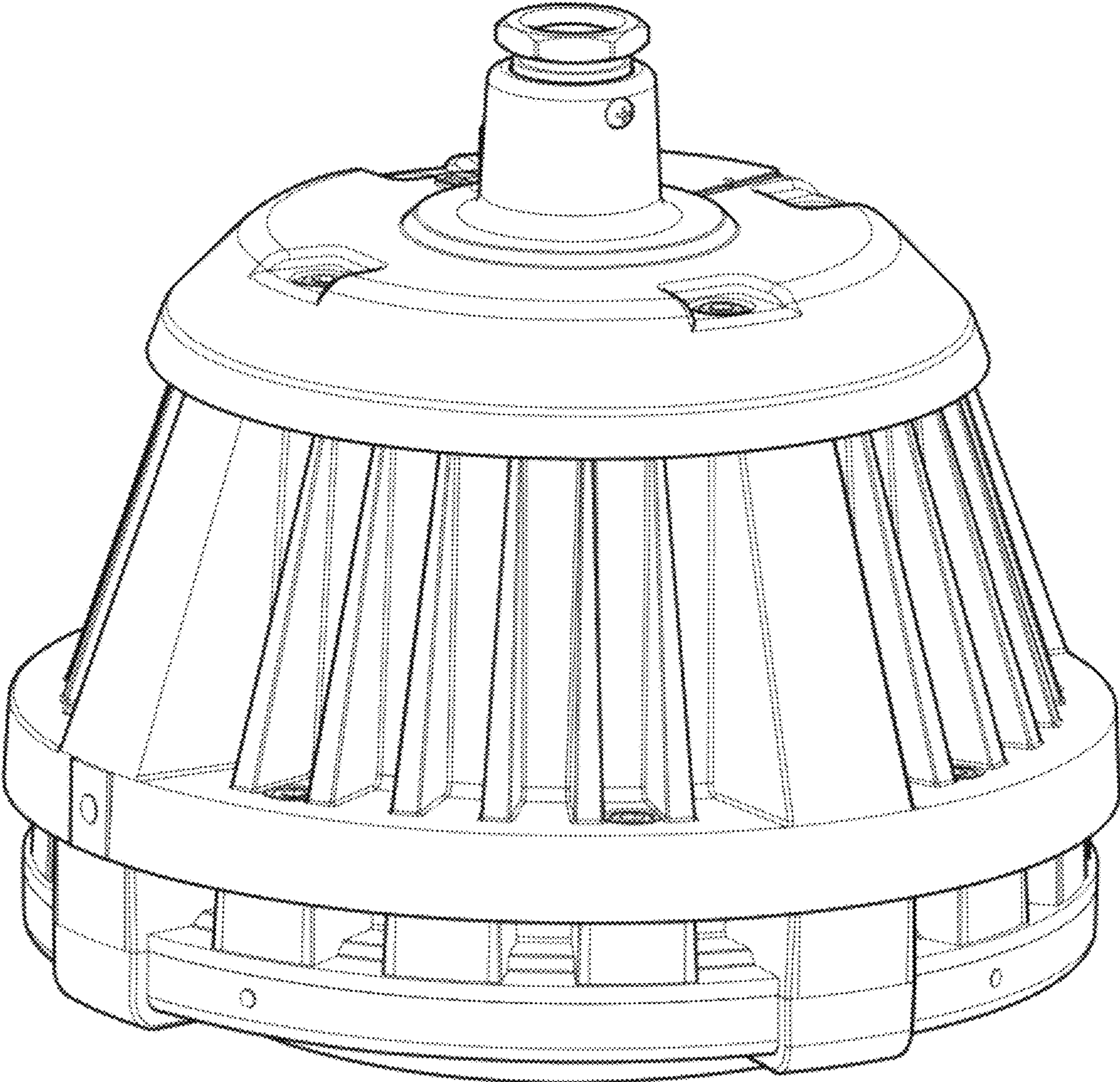
- 1. Lamp
- 1.1 : Perspective
- 1.2 : Front
- 1.3 : Back
- 1.4 : Right
- 1.5 : Left
- 1.6 : Top
- 1.7 : Bottom

See application file for complete search history.

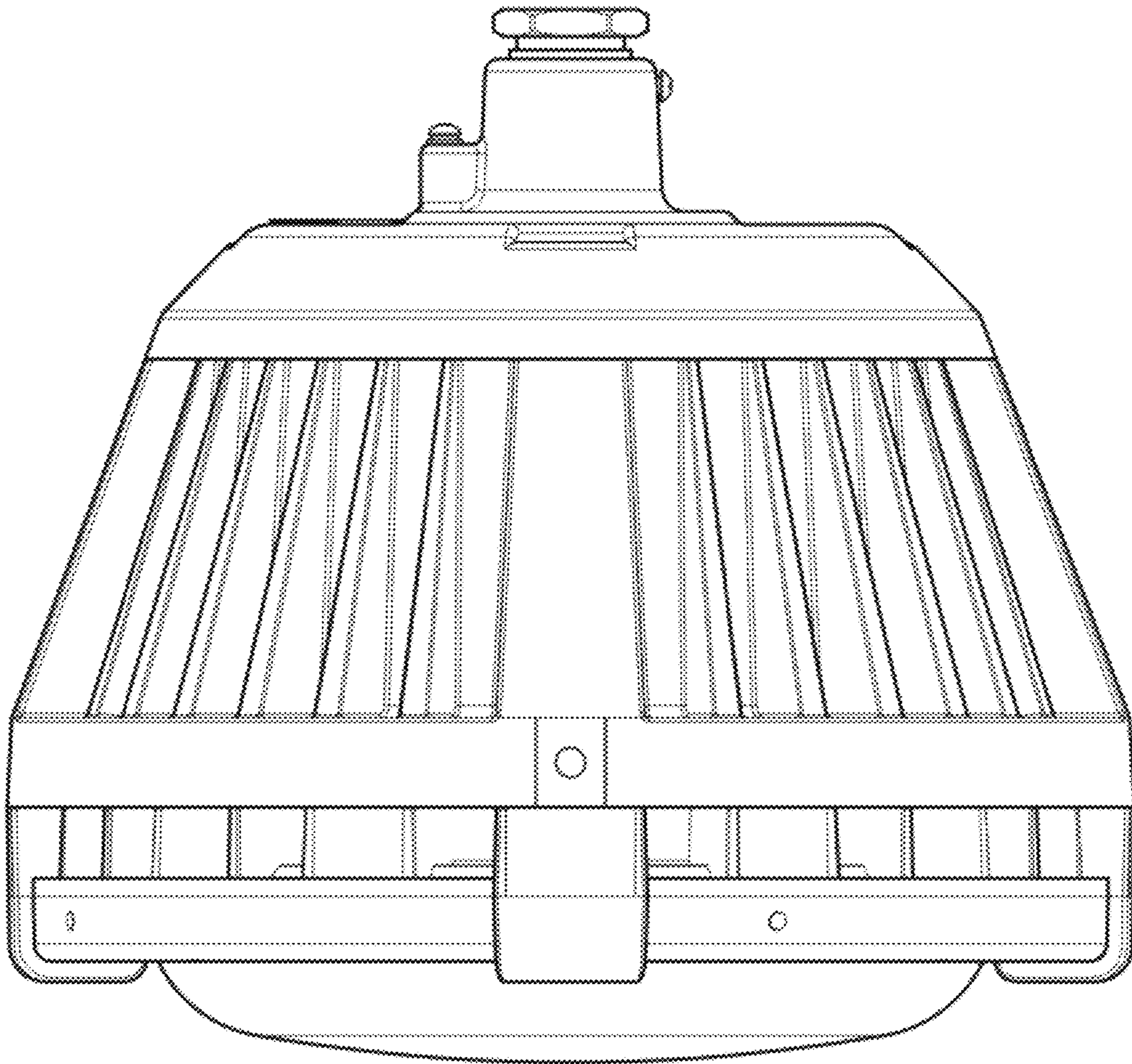
1 Claim, 7 Drawing Sheets



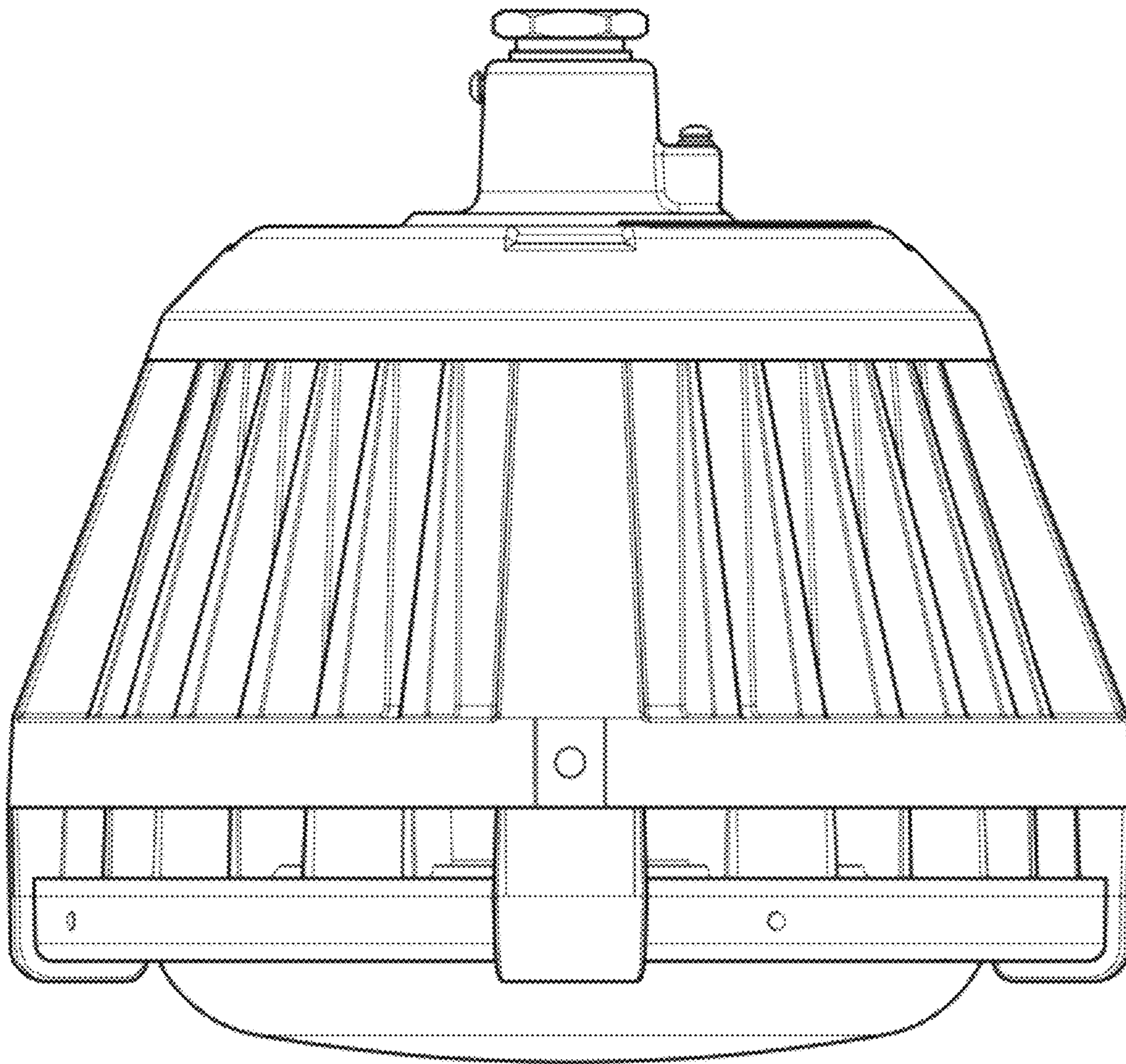
1.1



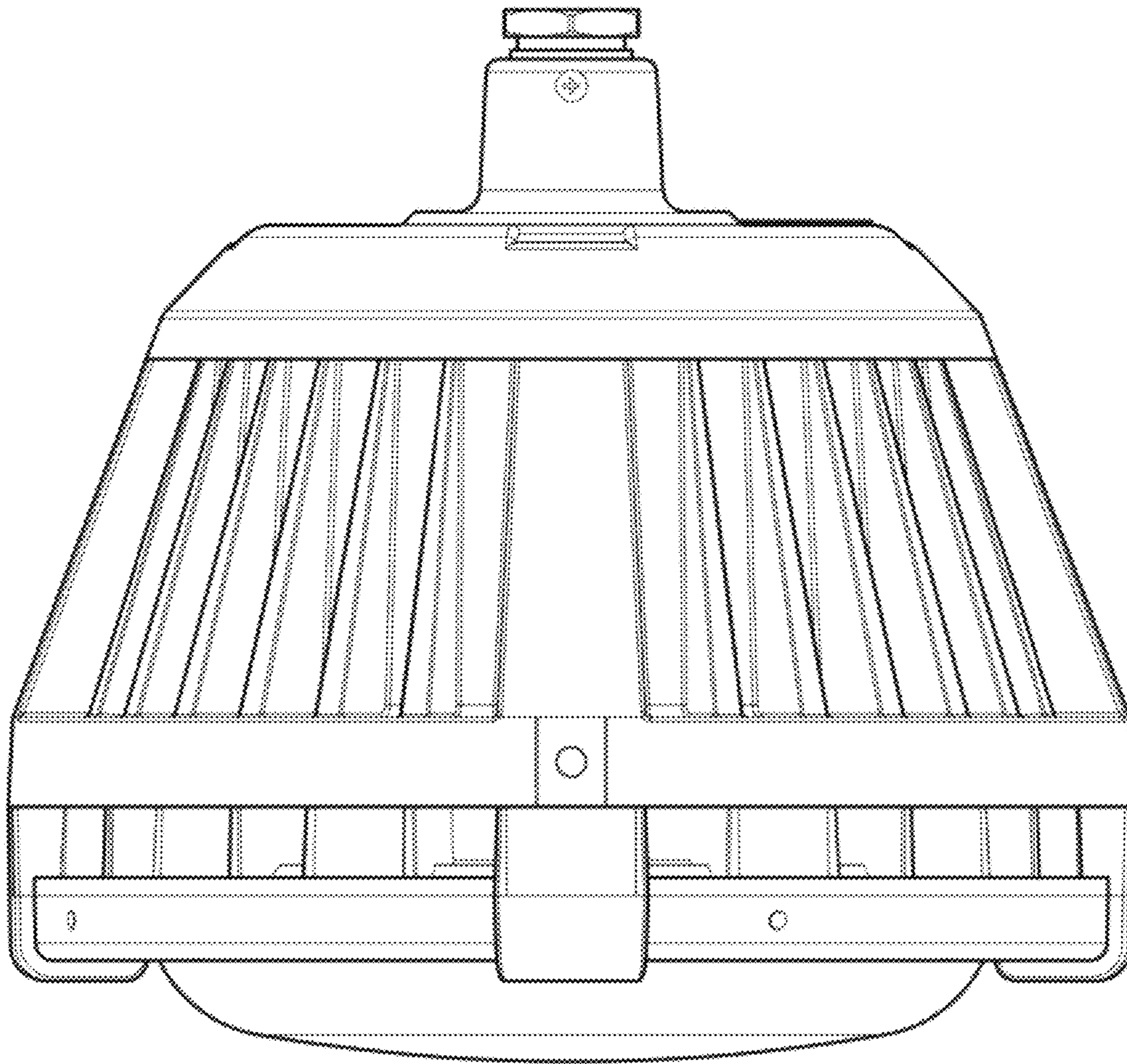
1.2



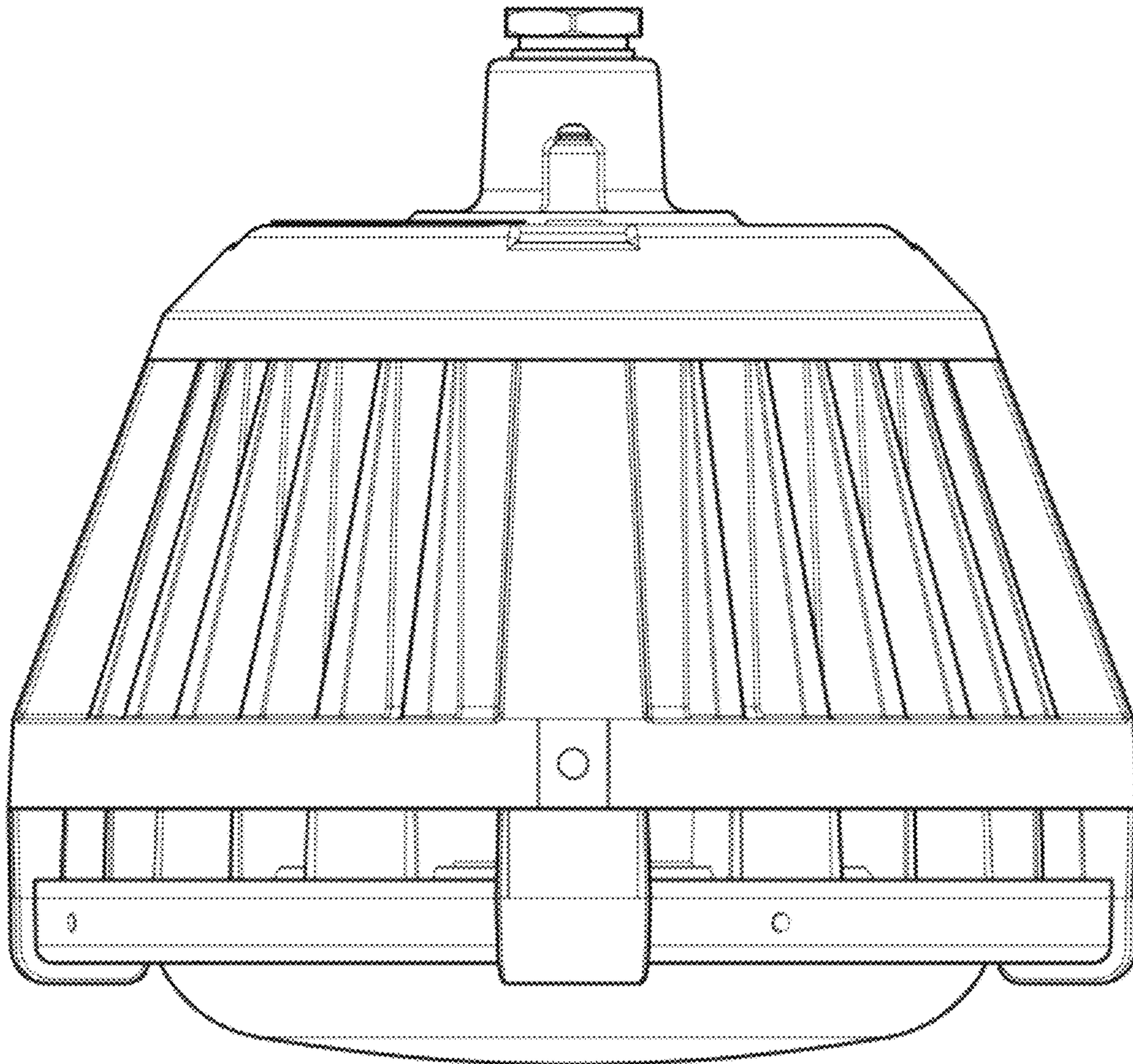
1.3



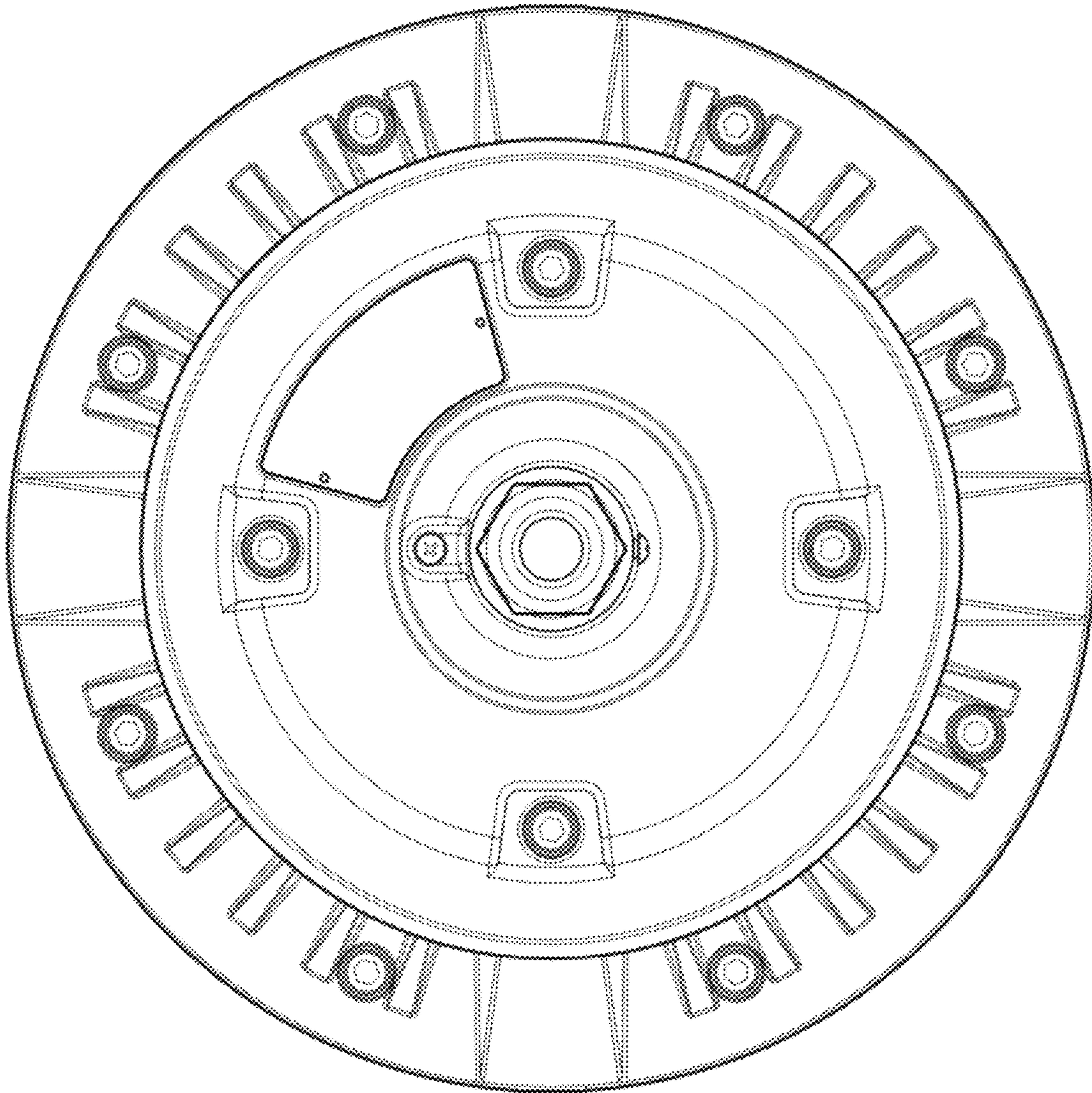
1.4



1.5



1.6



1.7

