



US00D807558S

(12) **United States Design Patent** (10) **Patent No.:** **US D807,558 S**
Guzzini (45) **Date of Patent:** **** Jan. 9, 2018**

- (54) **RECESSED DOWNLIGHT FOR INDOOR USE**
- (71) Applicant: **Iguzzini Illuminazione S.p.A.**, Recanati (IT)
- (72) Inventor: **Adolfo Guzzini**, Recanati (IT)
- (73) Assignee: **Iguzzini Illuminazione S.P.A.**, Recanati (IT)
- (**) Term: **15 Years**
- (21) Appl. No.: **29/576,409**
- (22) Filed: **Sep. 2, 2016**
- (51) **LOC (11) Cl.** **26-05**
- (52) **U.S. Cl.**
USPC **D26/74**
- (58) **Field of Classification Search**
USPC D26/74, 72, 75, 76, 77, 78, 85, 88, 89, D26/118, 138, 141; 362/364, 365, 373, 362/145, 146, 147, 148, 150, 153, 153.1, 362/294, 296.01, 296.07, 296.08
See application file for complete search history.

D613,445 S *	4/2010	Beghelli	D26/74
D615,236 S	5/2010	Beghelli		
D632,821 S *	2/2011	Culbert	D26/74
D633,243 S *	2/2011	Call	D26/72
D633,636 S *	3/2011	Gielen	D26/74
8,215,799 B2 *	7/2012	Vanden Eynden	F21V 15/01 362/218
D677,821 S *	3/2013	Jeon	D26/74
D679,849 S	4/2013	Ham		
D698,971 S	2/2014	Guzzini		
D740,991 S *	10/2015	Hill	D26/78
D785,227 S *	4/2017	Guzzini	D26/74
D789,587 S *	6/2017	Salomon	D26/74
2008/0239709 A1	10/2008	Rapeanu		
2011/0051410 A1	3/2011	Liang		
2013/0265751 A1 *	10/2013	Edmond	F21S 8/026 362/231

* cited by examiner

Primary Examiner — Angela J Lee
 (74) *Attorney, Agent, or Firm* — Stetina Brunda Garred & Brucker

(57) **CLAIM**

The ornamental design for a recessed downlight for indoor use, as shown and described.

DESCRIPTION

FIG. 1 is a front perspective view of the recessed downlight for indoor use of the present invention showing my new design, with the dotted lines forming no part of the claimed design;

FIG. 2 is a front elevational view thereof;

FIG. 3 is a bottom plan view thereof;

FIG. 4 is a left side elevational view thereof;

FIG. 5 is a right side elevational view thereof;

FIG. 6 is a rear elevational view thereof; and,

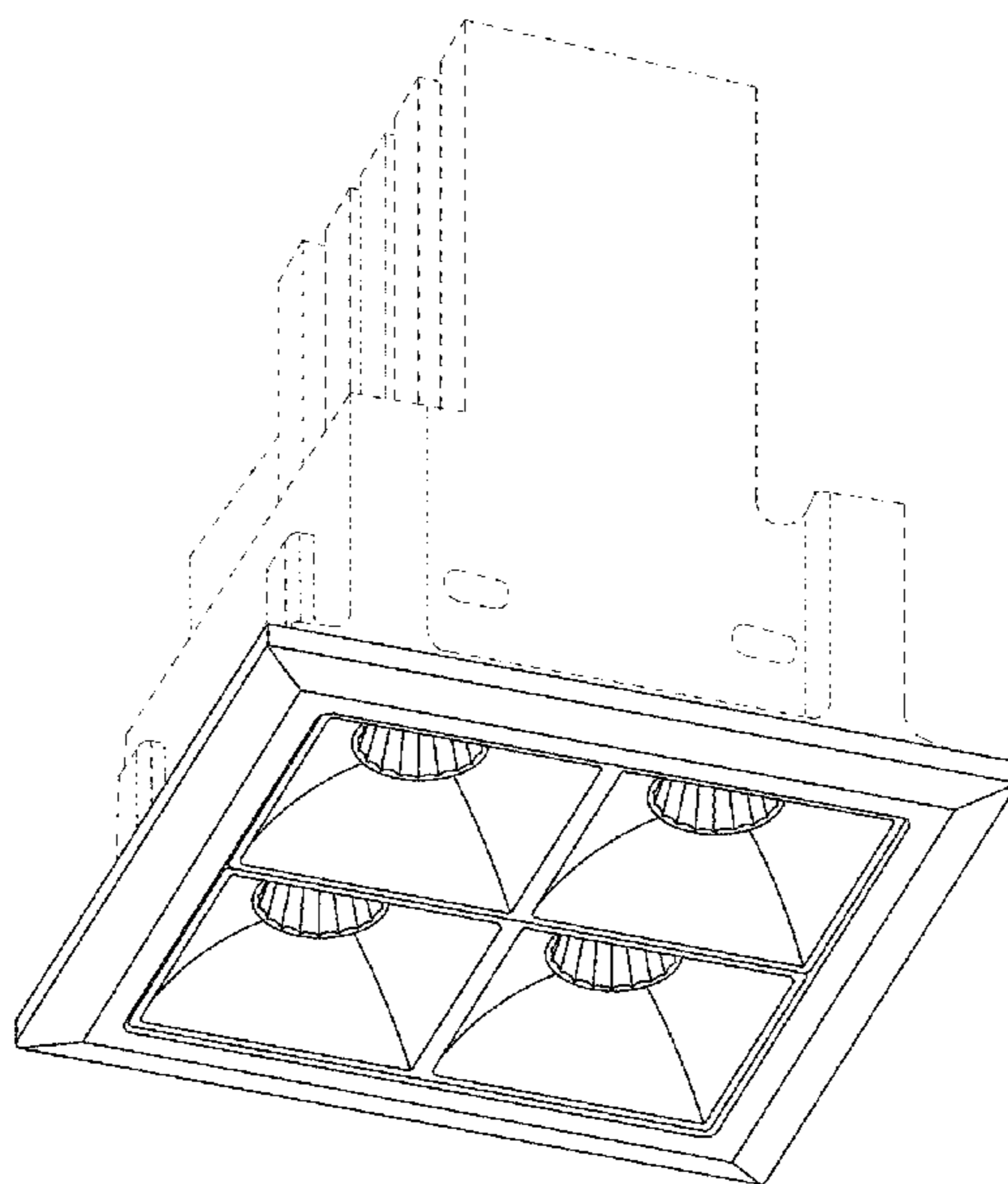
FIG. 7 is a top plan view thereof.

1 Claim, 7 Drawing Sheets

(56) **References Cited**

U.S. PATENT DOCUMENTS

D360,270 S	7/1995	Shemitz	
D373,212 S	8/1996	Clark	
D411,031 S *	6/1999	Conn D26/118
D446,332 S	8/2001	Grossman	
D544,128 S	6/2007	Carro	
D569,024 S	5/2008	Redfern	
D591,893 S	5/2009	Waldmann	
D593,697 S *	6/2009	Liu D26/74
D599,943 S	9/2009	Bergmann et al.	
D600,392 S *	9/2009	Ling D26/74
D602,624 S	10/2009	Kawaguchi et al.	
D610,734 S	2/2010	Ward et al.	



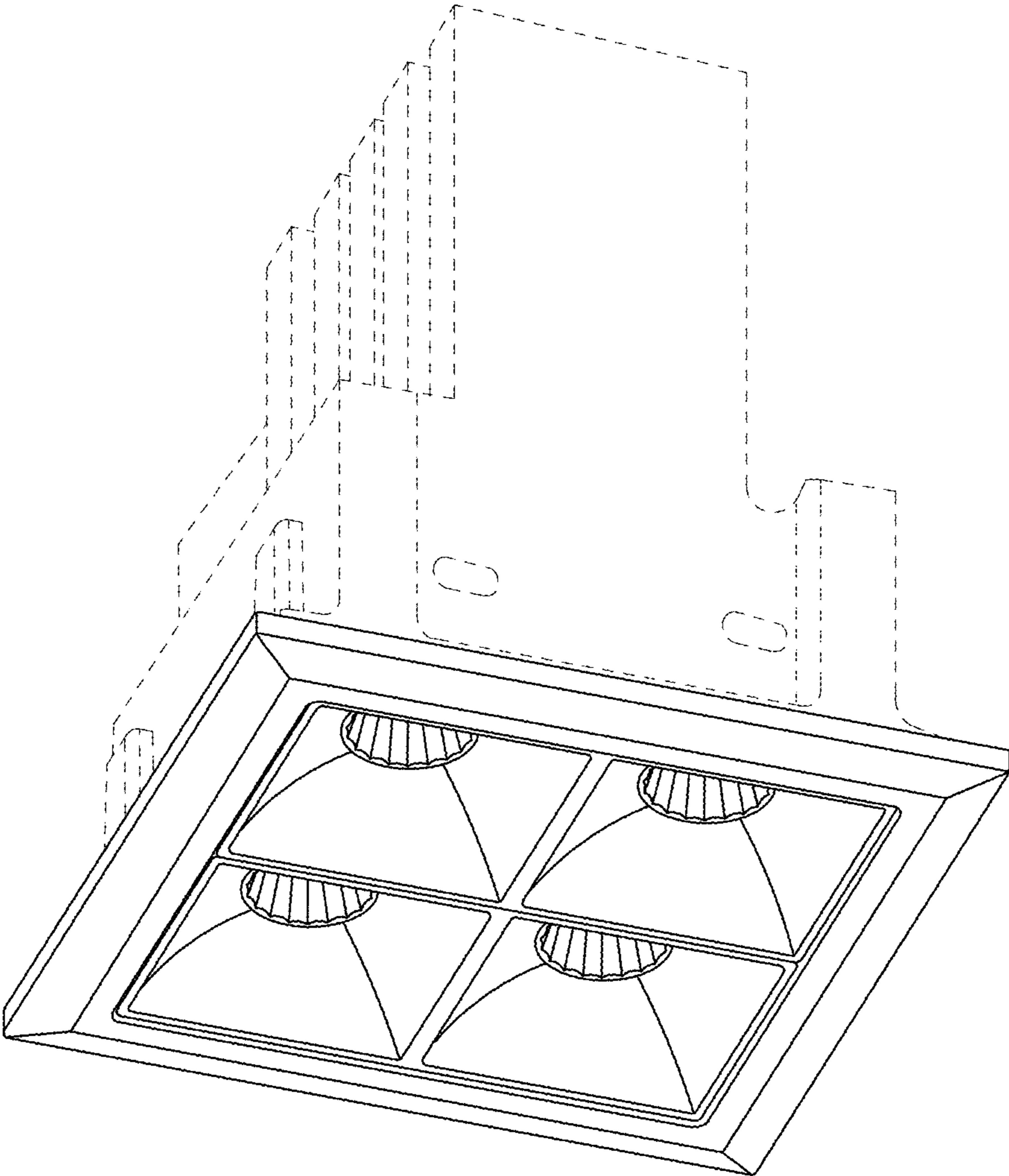


FIG. 1

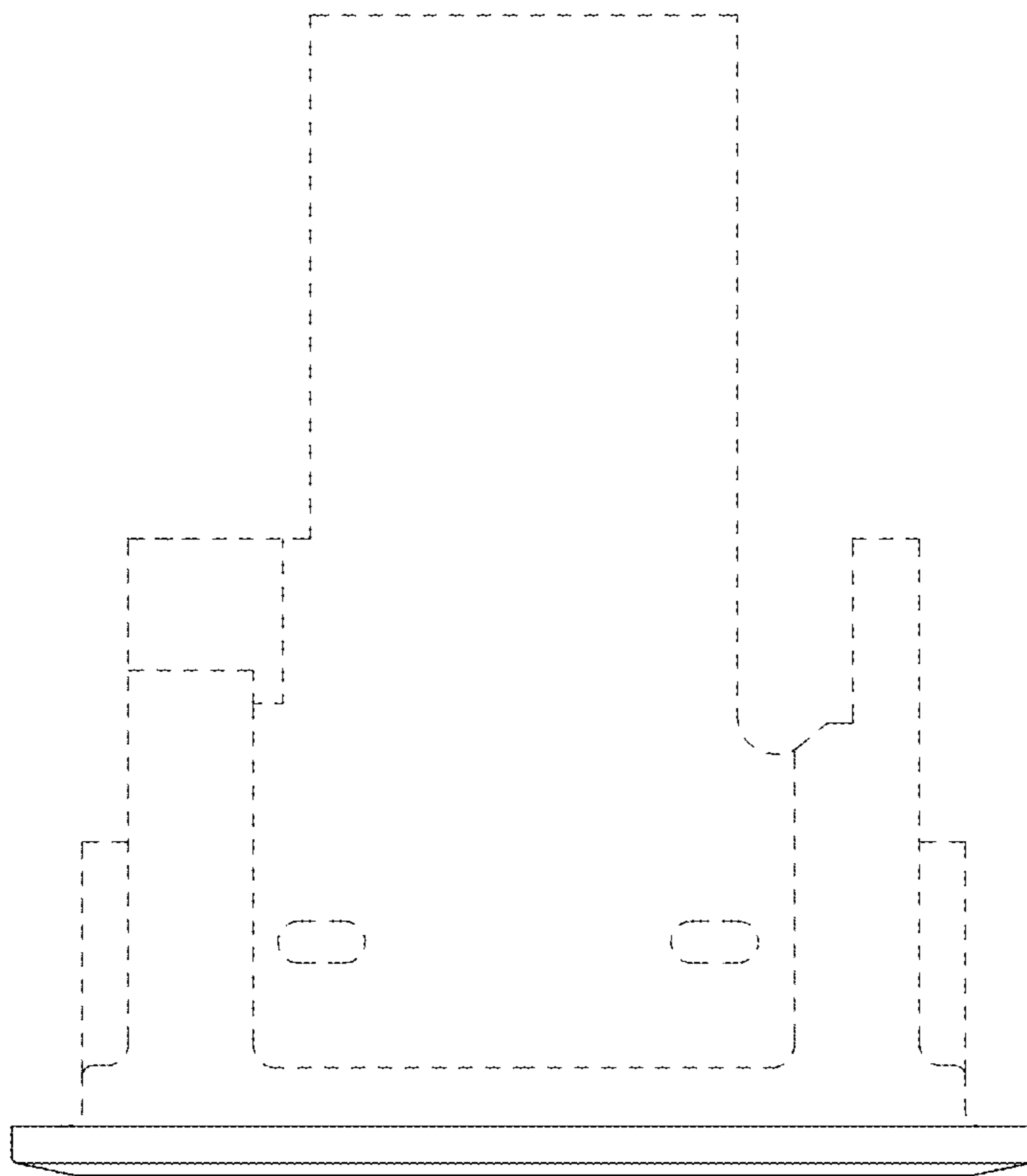


FIG. 2

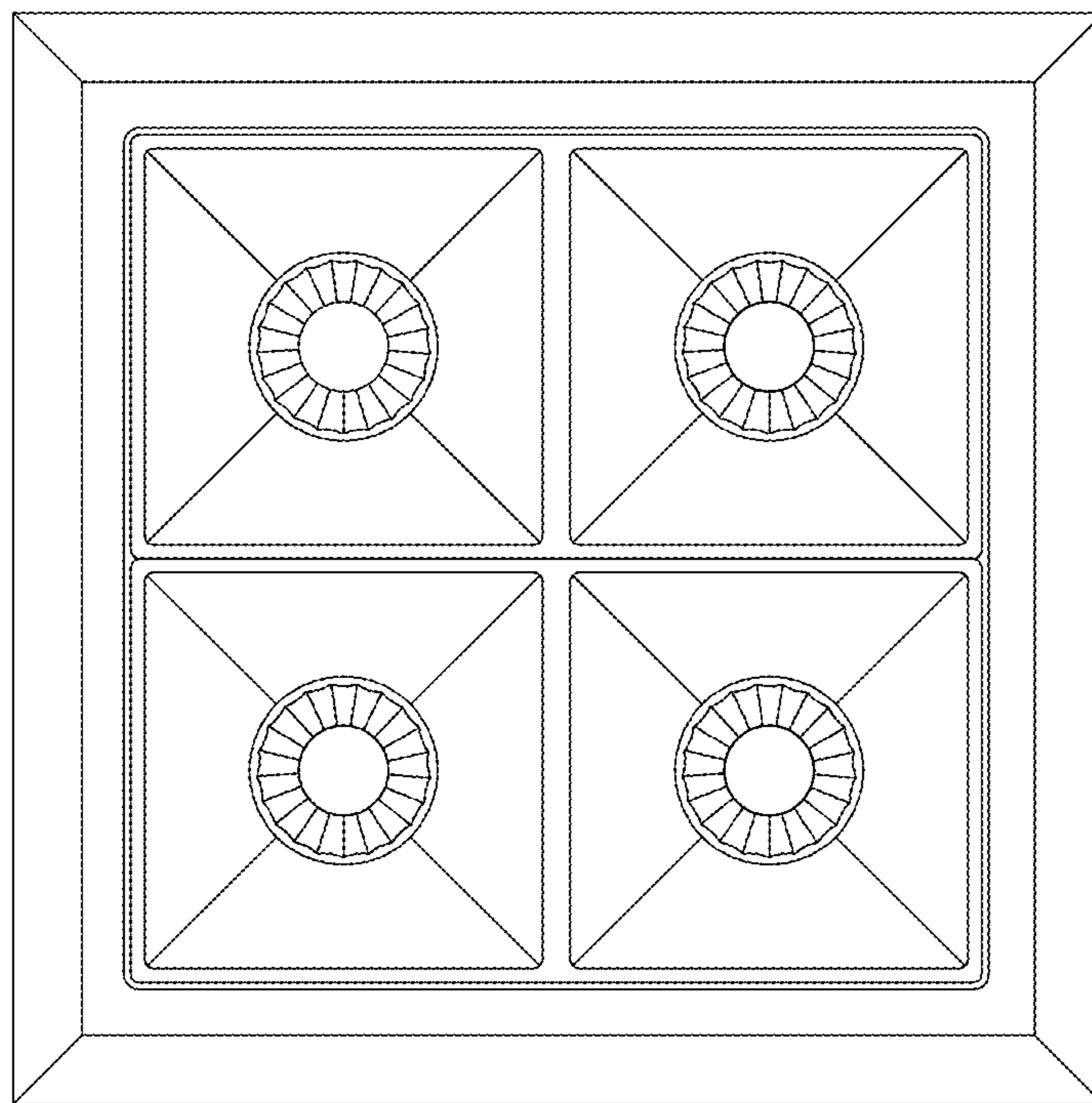


FIG. 3

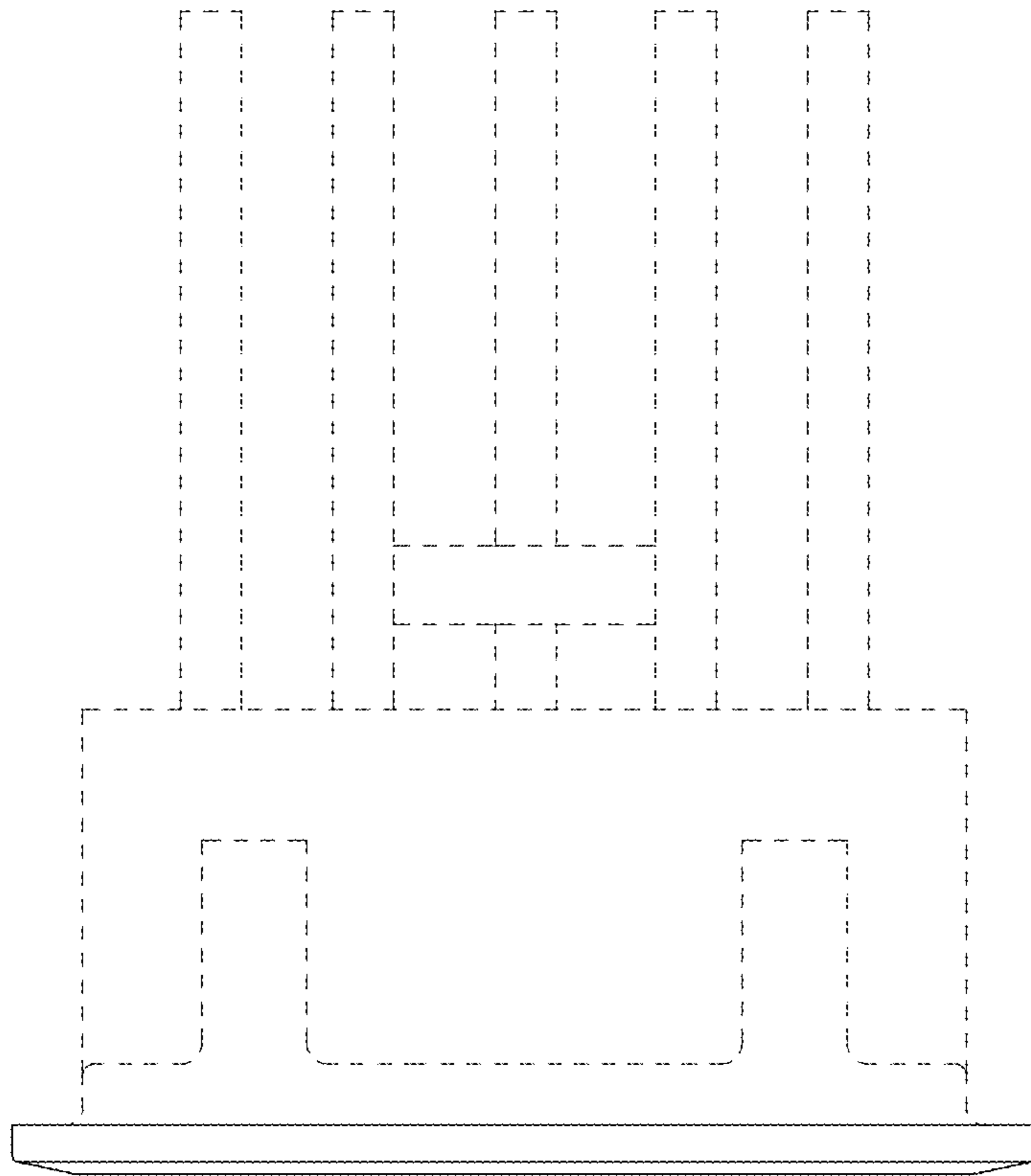


FIG. 4

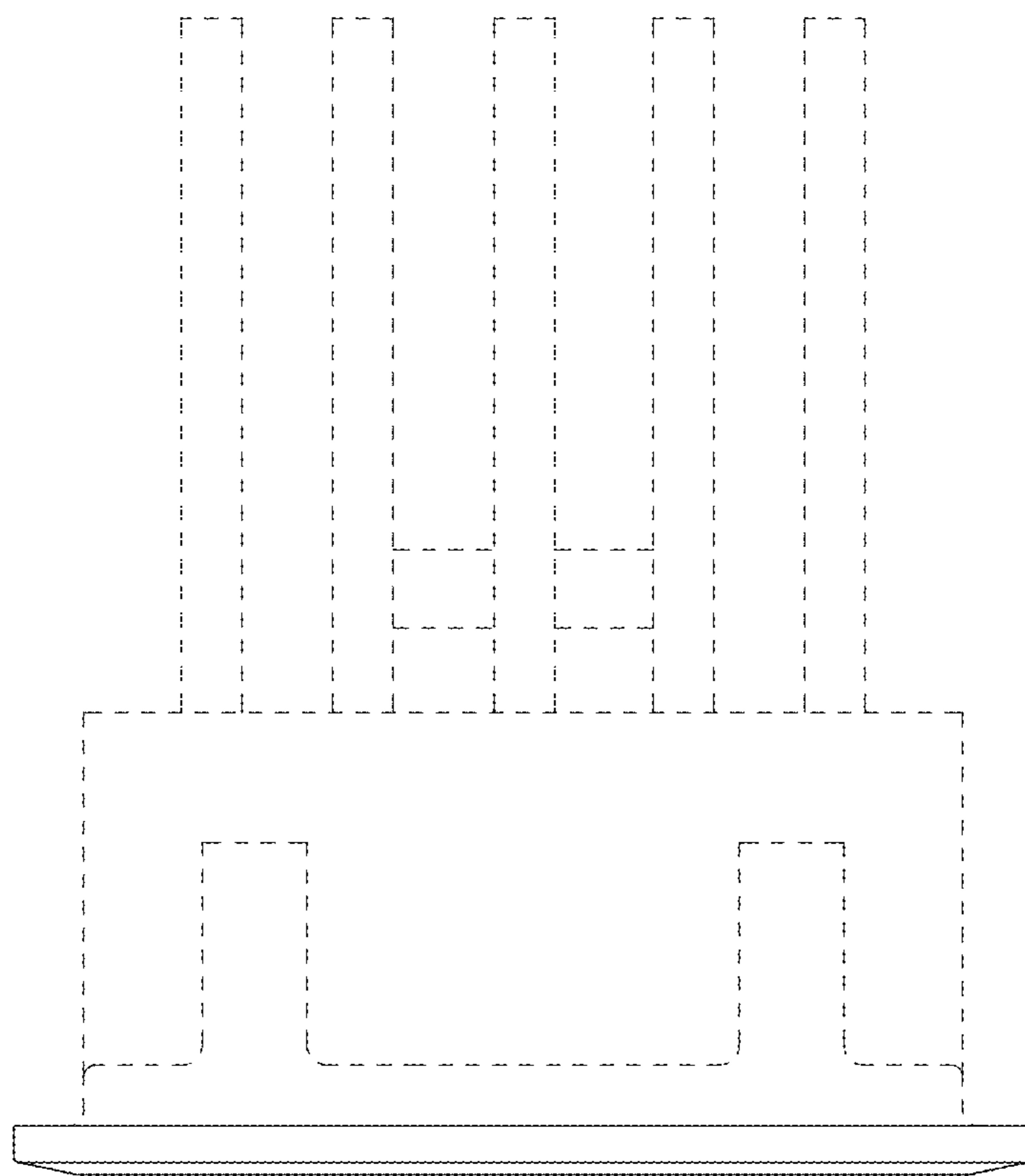


FIG. 5

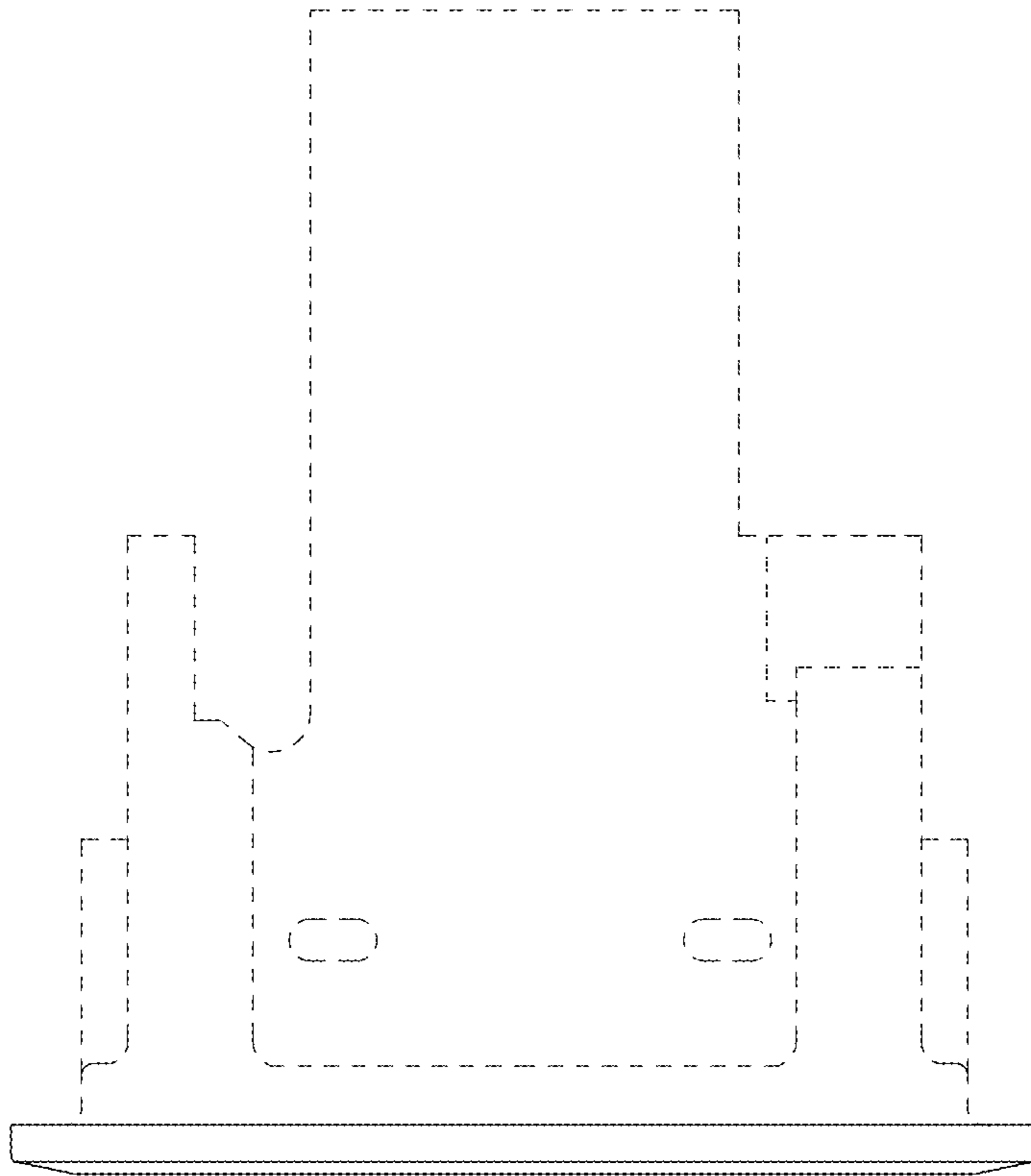


FIG. 6

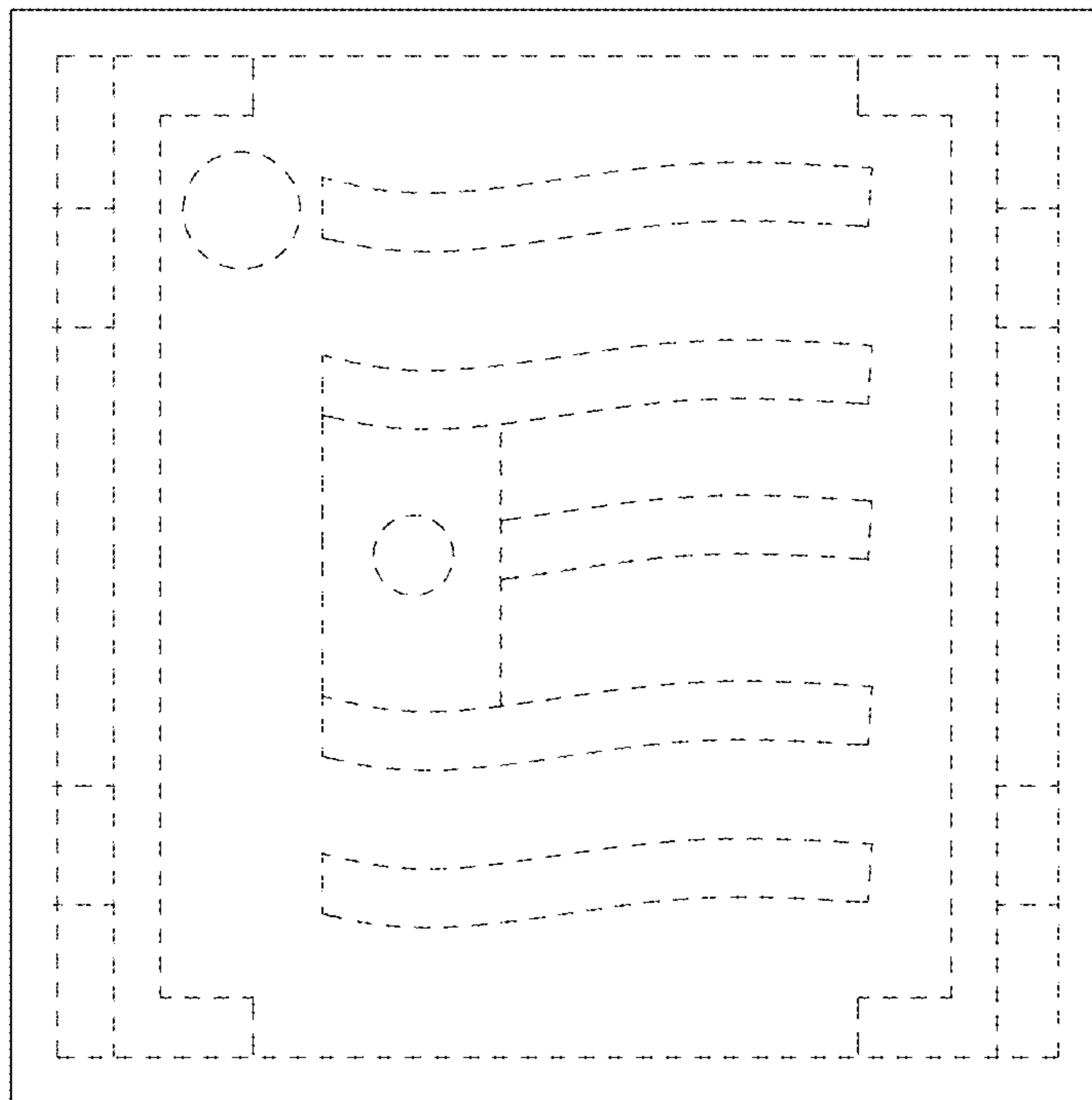


FIG. 7