

US00D807556S

(12) **United States Design Patent**
Li et al.

(10) **Patent No.:** **US D807,556 S**
(45) **Date of Patent:** **** Jan. 9, 2018**

(54) **TROFFER-STYLE FIXTURE**

FOREIGN PATENT DOCUMENTS

(71) Applicant: **CREE HONG KONG LIMITED**,
Shatin, New Territories (HK)

CN 1762061 4/2006
CN 1934389 3/2007

(Continued)

(72) Inventors: **Chi Man Chris Li**, N.T. (HK); **Chi Hoi Felix Mung**, Kowloon (HK); **Ho Ching Gauss So**, Kowloon (HK); **Wai To Yan**, N.T. (HK)

OTHER PUBLICATIONS

Office Action from U.S. Appl. No. 13/429,080, dated Sep. 1, 2015.
(Continued)

(73) Assignee: **CREE HONG KONG LIMITED**,
Shatin, N.T. (HK)

Primary Examiner — Angela J Lee

(74) *Attorney, Agent, or Firm* — Koppel, Patrick, Heybl & Philpott

(**) Term: **14 Years**

(57) **CLAIM**

(21) Appl. No.: **29/525,657**

The ornamental design for a troffer-style fixture, as shown and described herein.

(22) Filed: **Apr. 30, 2015**

DESCRIPTION

Related U.S. Application Data

(63) Continuation-in-part of application No. 29/481,156,
filed on Feb. 2, 2014, now Pat. No. Des. 772,465,
(Continued)

(51) **LOC (11) Cl.** **26-05**

(52) **U.S. Cl.**
USPC **D26/74**

(58) **Field of Classification Search**
USPC D26/74, 72, 75, 76, 77, 78, 85, 88, 89,
D26/118, 138, 141; 362/364, 365, 373,
(Continued)

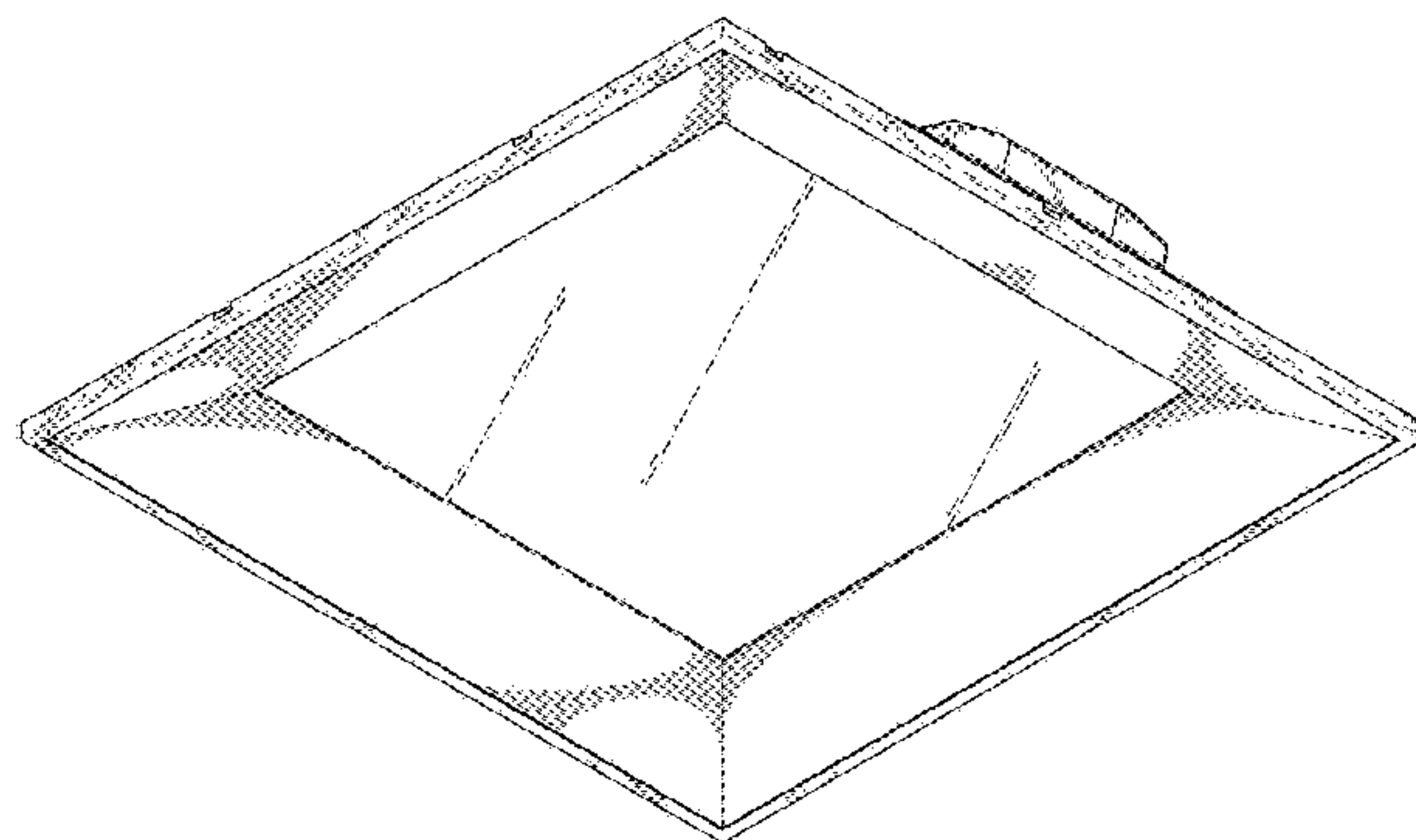
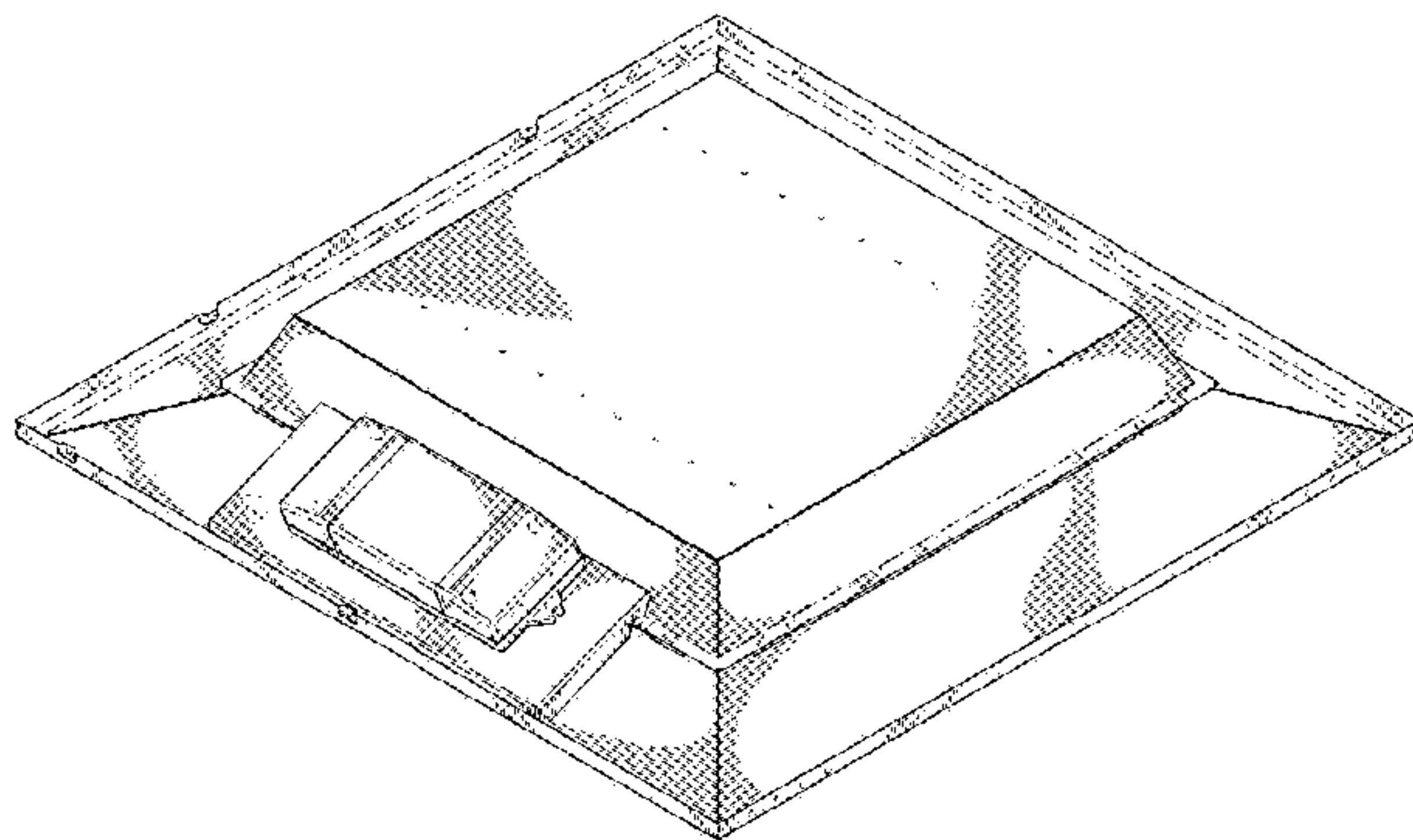
(56) **References Cited**

U.S. PATENT DOCUMENTS

D85,382 S 10/1931 Guth D26/24
2,356,654 A 8/1944 Cullman 200/84 C
(Continued)

FIG. 1 is a top perspective view of a light fixture according to an embodiment of the present invention.
FIG. 2 is a bottom perspective view of a light fixture according to an embodiment of the present invention.
FIG. 3 is a front elevation view of a light fixture according to an embodiment of the present invention.
FIG. 4 is a right side elevation view of a light fixture according to an embodiment of the present invention.
FIG. 5 is a rear elevation view of a light fixture according to an embodiment of the present invention.
FIG. 6 is a left side elevation view of a light fixture according to an embodiment of the present invention.
FIG. 7 is a top plan view of a light fixture according to an embodiment of the present invention; and,
FIG. 8 is a bottom plan view of a light fixture according to an embodiment of the present invention.
Elements of the fixtures in the attached figures are in broken lines for illustrative purposes only and form no part of the claimed design.

1 Claim, 6 Drawing Sheets



Related U.S. Application Data

which is a continuation-in-part of application No. 14/170,627, filed on Feb. 2, 2014.

(58) **Field of Classification Search**

USPC 362/145, 146, 147, 148, 150, 153, 153.1, 362/294, 296.01, 296.07, 296.08
 CPC F21V 29/2262; F21V 7/06; F21V 21/044; F21V 21/047; F21V 29/2212; F21V 29/2225; F21V 29/2256; F21V 29/225; F21V 29/2268; F21Y 2111/002; F21S 8/02; F21S 8/026

See application file for complete search history.

(56) **References Cited**

U.S. PATENT DOCUMENTS

3,381,124 A 4/1968 Eisenberg 362/354
 3,743,826 A 7/1973 Halfaker
 4,939,627 A 7/1990 Herst et al. 362/299
 5,025,356 A 6/1991 Gawad 362/221
 5,526,190 A 6/1996 Hubble, III 347/102
 5,823,663 A 10/1998 Bell et al. 362/362
 D407,473 S 3/1999 Wimbock D23/328
 6,079,851 A 6/2000 Altman
 6,102,550 A 8/2000 Edwards, Jr.
 6,149,283 A 11/2000 Conway et al. 362/236
 6,155,699 A 12/2000 Miller et al. 362/293
 6,210,025 B1 4/2001 Schmidt et al. 362/362
 6,234,643 B1 5/2001 Lichon, Jr. 362/147
 6,402,347 B1 6/2002 Maas et al. 362/294
 6,523,974 B2 2/2003 Engel 362/224
 6,578,979 B2 6/2003 Truttmann-Battig 362/92
 6,598,998 B2 7/2003 West 257/E33.073
 D496,121 S 9/2004 Santoro D26/74
 6,871,983 B2 3/2005 Jacob et al. 362/364
 6,948,838 B2 9/2005 Kunstler 362/237
 6,951,415 B2 10/2005 Amano 362/297
 7,021,797 B2 4/2006 Minano et al. 362/355
 7,049,761 B2 5/2006 Timmermans et al. 315/246
 7,063,449 B2 6/2006 Ward 345/102
 7,111,969 B2 9/2006 Bottesch 362/299
 7,175,296 B2 2/2007 Cok 362/147
 7,213,940 B1 5/2007 Van De Ven et al. 362/231
 7,217,004 B2 5/2007 Park 362/240
 7,237,924 B2 7/2007 Martineau et al. 362/231
 D556,358 S 11/2007 Santoro D26/74
 7,338,182 B1 3/2008 Hastings et al. 362/150
 7,341,358 B2 3/2008 Hsieh 362/97.1
 7,510,299 B2 3/2009 Timmermans et al. 362/225
 7,520,636 B2 4/2009 Van Der Poel 362/290
 D593,246 S 5/2009 Fowler et al. D26/76
 7,559,672 B1 7/2009 Parkyn et al. 362/244
 7,594,736 B1 9/2009 Kassay et al. 362/225
 D604,446 S 11/2009 Fowler et al. D26/76
 7,618,157 B1 11/2009 Galvez et al. 362/294
 7,618,160 B2 11/2009 Chinniah et al. 362/326
 D608,932 S 1/2010 Castelli D26/76
 7,654,688 B2 2/2010 Li
 7,654,702 B1 2/2010 Ding et al.
 7,661,844 B2 2/2010 Sekiguchi et al. 362/249.02
 D611,183 S 3/2010 Duarte D26/76
 7,674,005 B2 3/2010 Chung et al. 362/223
 7,686,470 B2 3/2010 Chiang 362/147
 7,686,484 B2 3/2010 Heiking et al. 362/375
 7,712,918 B2 5/2010 Siemiet et al. 362/241
 7,722,220 B2 5/2010 Van De Ven 362/294
 7,722,227 B2 5/2010 Zhang et al. 362/364
 D617,487 S 6/2010 Fowler et al. D26/76
 7,768,192 B2 8/2010 Van De Ven et al. 313/503
 7,815,338 B2 10/2010 Siemiet et al. 362/218
 7,824,056 B2 11/2010 Madireddi et al. 362/125
 7,828,468 B2 11/2010 Mayfield et al. 362/342
 D632,007 S * 2/2011 Kim D26/120
 D633,247 S 2/2011 Kong et al. D26/88
 7,922,354 B2 4/2011 Everhart 362/235

7,926,982 B2 4/2011 Liu 362/294
 7,959,332 B2 6/2011 Tickner
 7,988,321 B2 8/2011 Wung et al. 362/218
 7,988,335 B2 8/2011 Liu et al. 362/294
 7,991,257 B1 8/2011 Coleman 264/1.24
 7,993,034 B2 8/2011 Wegner 362/296.05
 8,038,314 B2 10/2011 Ladewig
 8,038,321 B1 10/2011 Franck et al. 362/249.02
 8,058,659 B2 11/2011 Bisberg
 8,070,326 B2 12/2011 Lee 362/307
 D653,376 S 1/2012 Kong et al. D26/76
 8,092,043 B2 1/2012 Lin et al. 362/249.02
 8,092,049 B2 1/2012 Kinnune et al. 362/294
 8,096,671 B1 1/2012 Cronk 362/147
 D657,488 S 4/2012 Lown et al. D26/120
 8,162,504 B2 4/2012 Zhang et al. 362/217
 8,186,855 B2 5/2012 Wassel et al. 362/373
 8,197,086 B2 6/2012 Watanabe et al. 362/218
 8,201,968 B2 6/2012 Maxik et al.
 D663,881 S * 7/2012 Janssen D26/74
 8,215,799 B2 7/2012 Vanden Eynden et al. .. 362/294
 8,246,219 B2 8/2012 Teng 362/217.02
 8,256,927 B2 9/2012 Hu 362/218
 8,287,160 B2 10/2012 Shen
 D670,849 S 11/2012 Lay et al. D26/74
 8,317,354 B2 11/2012 Gassner et al. 362/147
 D677,418 S * 3/2013 Wilson D26/74
 D677,821 S * 3/2013 Jeon D26/74
 D679,848 S 4/2013 Pickard et al. D26/74
 D679,849 S * 4/2013 Ham D26/74
 8,410,514 B2 4/2013 Kim 257/99
 D684,291 S 6/2013 Goelz et al. D26/74
 D690,868 S * 10/2013 Mayfield, III D26/74
 8,556,452 B2 10/2013 Simon 362/217.07
 D693,952 S * 11/2013 Soni D26/74
 8,591,058 B2 11/2013 Concepcion 362/231
 8,591,071 B2 11/2013 Hochstein 362/294
 8,602,601 B2 12/2013 Khazi
 8,616,723 B2 12/2013 Zhang 362/218
 D698,969 S * 2/2014 Johns D26/74
 D698,974 S * 2/2014 Aniserowicz D26/74
 D698,975 S 2/2014 Blessitt et al. D26/74
 8,641,243 B1 2/2014 Rashidi 362/373
 D701,988 S 4/2014 Clements D26/74
 D702,393 S * 4/2014 Ansierowicz D26/89
 D702,868 S * 4/2014 Patel D26/74
 8,696,154 B2 4/2014 Hutchens 362/217.05
 8,702,264 B1 4/2014 Rashidi 362/147
 8,764,244 B2 7/2014 Jeon 362/218
 D714,988 S 10/2014 Park et al. D26/74
 D721,198 S 1/2015 Glasbrenner D26/76
 9,010,956 B1 4/2015 Davis
 9,052,075 B2 6/2015 Demuyne et al.
 2003/0063476 A1 4/2003 English et al.
 2004/0001344 A1 1/2004 Hecht 362/555
 2004/0085779 A1 5/2004 Pond et al. 362/516
 2004/0100796 A1 5/2004 Ward
 2004/0240230 A1 12/2004 Kitajima 362/558
 2005/0180135 A1 8/2005 Mayer 362/240
 2005/0264716 A1 12/2005 Kim et al.
 2005/0281023 A1 12/2005 Gould 362/217
 2006/0221611 A1 10/2006 Noh et al. 362/247
 2006/0262521 A1 11/2006 Pieprgras et al. 362/149
 2006/0291206 A1 12/2006 Angelini et al. 362/244
 2007/0070625 A1 3/2007 Bang 362/240
 2007/0109779 A1 5/2007 Sekiguchi et al.
 2007/0115670 A1 5/2007 Roberts et al.
 2007/0115671 A1 5/2007 Roberts et al.
 2007/0211457 A1 9/2007 Mayfield et al. 362/223
 2007/0253205 A1 11/2007 Welker 362/373
 2007/0297181 A1 12/2007 Mayfield et al. 362/342
 2008/0019147 A1 1/2008 Erchak 362/607
 2008/0037284 A1 2/2008 Rudisill 362/629
 2008/0049422 A1 2/2008 Trenchard et al. 362/238
 2008/0232093 A1 9/2008 Kim 362/147
 2008/0278943 A1 11/2008 Van Der Poel 362/240
 2009/0034247 A1 2/2009 Boyer 362/225
 2009/0073693 A1 3/2009 Nall 362/249.02
 2009/0161356 A1 6/2009 Negley et al. 362/231

(56)

References Cited

U.S. PATENT DOCUMENTS

2009/0168439 A1 7/2009 Chiang 362/404
 2009/0196024 A1 8/2009 Heiking et al. 362/150
 2009/0225543 A1 9/2009 Jacobson et al.
 2009/0237958 A1 9/2009 Kim
 2009/0262543 A1 10/2009 Ho 362/373
 2009/0296388 A1 12/2009 Wu et al. 362/235
 2009/0310354 A1 12/2009 Zampini et al. 362/235
 2009/0323334 A1 12/2009 Roberts et al.
 2010/0061108 A1 3/2010 Zhang et al. 362/364
 2010/0097794 A1 4/2010 Teng et al. 362/231
 2010/0103678 A1 4/2010 Van de Ven et al. 362/294
 2010/0110679 A1 5/2010 Teng et al.
 2010/0172133 A1 7/2010 Liu 362/235
 2010/0177532 A1 7/2010 Simon et al. 362/555
 2010/0188609 A1 7/2010 Matsuki et al.
 2010/0253591 A1 10/2010 Hwu et al. 345/1.3
 2010/0254128 A1 10/2010 Pickard et al. 362/231
 2010/0254145 A1 10/2010 Yamaguchi
 2010/0254146 A1 10/2010 McCanless
 2010/0270903 A1 10/2010 Jao et al. 313/46
 2010/0271843 A1 10/2010 Holten et al. 362/609
 2010/0277905 A1 11/2010 Janik et al. 362/235
 2010/0277934 A1 11/2010 Oquendo, Jr. 362/433
 2010/0295468 A1 11/2010 Pedersen et al. 315/294
 2010/0302778 A1 12/2010 Dabiet
 2010/0327768 A1 12/2010 Kong et al. 315/294
 2011/0032714 A1 2/2011 Chang 362/373
 2011/0043132 A1 2/2011 Kim et al. 362/235
 2011/0141722 A1 6/2011 Acampora et al. 362/218
 2011/0141734 A1 6/2011 Li 362/235
 2011/0156584 A1 6/2011 Kim 315/32
 2011/0164417 A1 7/2011 Huang 362/235
 2011/0175533 A1 7/2011 Homan 315/130
 2011/0199005 A1 8/2011 Bretschneider et al.
 2011/0199769 A1 8/2011 Bretschneider et al.
 2011/0246146 A1 10/2011 Kauffman et al. 703/2
 2011/0255292 A1 10/2011 Shen 362/311
 2011/0267810 A1 11/2011 Higman et al. 362/218
 2011/0267823 A1 11/2011 Angelini et al. 362/277
 2011/0286225 A1 11/2011 Konishi
 2011/0305024 A1 12/2011 Chang 362/294
 2012/0033420 A1 2/2012 Kim et al. 362/235
 2012/0038289 A1 2/2012 Jee et al. 315/291
 2012/0051041 A1 3/2012 Edmond et al. 362/231
 2012/0120658 A1 5/2012 Wilk
 2012/0127714 A1 5/2012 Rehn
 2012/0134146 A1 5/2012 Smith 362/225
 2012/0140442 A1 6/2012 Woo 362/95
 2012/0140461 A1 6/2012 Pickard
 2012/0206926 A9 8/2012 Chou
 2013/0235568 A1 9/2013 Green et al. 362/218
 2013/0242550 A1 9/2013 Suen
 2013/0258652 A1 10/2013 Hsieh 362/225
 2014/0265930 A1 9/2014 Harris 315/307
 2015/0016100 A1 1/2015 Ishii 362/223
 2015/0159852 A1* 6/2015 Dahlen F21V 29/503
 362/249.02

FOREIGN PATENT DOCUMENTS

CN 1963289 A 5/2007
 CN 101188261 5/2008
 CN 101660715 3/2010
 CN 101776254 7/2010
 CN 101776254 A 7/2010
 CN 101790660 7/2010
 CN 101790660 A 7/2010
 CN 102072443 5/2011
 CN 202580962 12/2012
 DE 102007030186 1/2009
 DE 202010001832 7/2010
 EP 1298383 A2 2/2003
 EP 1298383 4/2003
 EP 1357335 A2 10/2003

EP 1737051 12/2006
 EP 1847762 10/2007
 EP 1847762 A2 10/2007
 EP 1860467 11/2007
 EP 2287520 A2 2/2011
 EP 2290690 A2 3/2011
 EP 2636945 A2 11/2013
 ER 1653254 3/2006
 GB 774198 5/1957
 JP 1069809 10/1998
 JP 2002344027 11/2002
 JP U3097327 8/2003
 JP 2004140324 5/2004
 JP 2004345615 12/2004
 JP 2004345615 A 12/2004
 JP 2006173624 6/2006
 JP 2008147044 6/2008
 JP 3151501 U 3/2009
 JP 2009295577 12/2009
 JP 2010103687 5/2010
 JP 2011018571 8/2011
 JP 2011018572 8/2011
 JP 2006173624 6/2016
 TW 200524186 7/2005
 TW 200524186 A 7/2005
 TW 200914759 A 4/2009
 TW 201018826 5/2010
 TW 201018826 A 5/2010
 WO WO 03102467 11/2003
 WO WO 2009030233 3/2009
 WO WO 2009140761 A1 11/2009
 WO WO 2009157999 12/2009
 WO WO 2009157999 A 12/2009
 WO WO 2009157999 A1 12/2009
 WO WO 2010024583 3/2010
 WO WO 2010024583 A2 3/2010
 WO WO 2010042216 4/2010
 WO WO 2010042216 A2 4/2010
 WO WO2011074424 A1 6/2011
 WO WO 2011096098 A1 8/2011
 WO WO 2011098191 8/2011
 WO WO 2011118991 A2 9/2011
 WO WO 2011140353 A2 11/2011
 WO WO 03102467 12/2013

OTHER PUBLICATIONS

Office Action from U.S. Appl. No. 14/716,480, dated Sep. 24, 2015.
 Office Action from U.S. Appl. No. 14/170,627, dated Oct. 5, 2015.
 Office Action from U.S. Appl. No. 13/368,217, dated Oct. 8, 2015.
 Office Action from U.S. Appl. No. 13/464,745, dated Oct. 8, 2015.
 Office Action from U.S. Appl. No. 29/466,391, dated Oct. 14, 2015.
 Examination Report from Taiwanese Patent Appl. No. 100131021, dated Jan. 5, 2016.
 Examination from European Patent Appl. No. 12743003.1-1757, dated Jan. 8, 2016.
 Notice of Reasons for Rejection from Japanese Patent Appl. No. 2013-543207, dated Feb. 2, 2016.
 Examination from European Patent Appl. No. 13 701 525.1-1757, dated Feb. 3, 2016.
 Office Action from U.S. Appl. No. 13/189,535; dated Jan. 6, 2016.
 Office Action from U.S. Appl. No. 13/341,741; dated Jan. 8, 2016.
 Office Action from U.S. Appl. No. 13/873,303; dated Feb. 2, 2016.
 Office Action from U.S. Appl. No. 13/464,745, filed Mar. 1, 2016.
 Office Action from U.S. Appl. No. 14/716,480, filed Mar. 3, 2016.
 Office Action from U.S. Appl. No. 13/368,217, filed Mar. 4, 2016.
 Office Action from U.S. Appl. No. 13/189,535, filed Mar. 18, 2016.
 Office Action from U.S. Appl. No. 14/020,757, filed Apr. 7, 2016.
 Office Action from U.S. Appl. No. 29/466,391, filed May 10, 2016.
 Office Action for U.S. Appl. No. 14/020,757; dated Jul. 19, 2016.
 Examination Report from Taiwan Application No. 100131021; dated Jul. 21, 2016.
 Office Action from U.S. Appl. No. 14/716,480; dated Aug. 26, 2016.
 European Summons for Oral Proceedings for Application No. 12743003.1; dated Sep. 2, 2016.
 Office Action for U.S. Appl. No. 13/464,745; dated Sep. 7, 2016.

(56)

References Cited

OTHER PUBLICATIONS

Notice of Completion of Pretrial Re-examination from Japanese Patent appl. No. 2013-543207, dated Jun. 30, 2015.

Pretrial Report from Japanese Appl. No. 2013-543207, dated Jun. 19, 2015.

Decision of Rejection from Chinese Patent Appl. No. 201180052998.4, dated Jul. 16, 2015.

Office Action from U.S. Appl. No. 12/873,303, dated Jun. 22, 2015.

Response to OA from U.S. Appl. No. 12/873,303, dated Aug. 21, 2015.

Office Action from U.S. Appl. No. 13/341,741, dated Jun. 22, 2015.

Office Action from U.S. Appl. No. 13/443,630, dated Jun. 23, 2015.

Response to OA from U.S. Appl. No. 13/443,630, filed Aug. 21, 2015.

Office Action from U.S. Appl. No. 13/189,535, dated Jul. 14, 2015.

Office Action from U.S. Appl. No. 13/453,924, dated Jul. 21, 2015.

Office Action from U.S. Appl. No. 13/442,746, dated Jul. 27, 2015.

Office Action from U.S. Appl. No. 14/020,757, dated Aug. 3, 2015.

First Office Action from Chinese Patent Appl. No. 2012800369142, dated Mar. 26, 2015.

Office Action from U.S. Appl. No. 13/464,745, dated Apr. 2, 2015.

Office Action from U.S. Appl. No. 13/442,746, dated Apr. 28, 2015.

Office Action from U.S. Appl. No. 13/368,217, dated May 13, 2015.

Office Action from U.S. Appl. No. 13/828,348, dated May 27, 2015.

Office Action from Japanese Design Patent Application No. 2011-18570.

Reason for Rejection from Japanese Design Patent Application No. 2011-18571.

Reason for Rejection from Japanese Design Patent Application No. 2011-18572.

Cree LR24 Architectural LED troffer product information, 2 pages, available at www.cree.com/lighting.

International Search Report and Written Opinion for PCT Application No. PCT/US2011/062396, dated Jul. 13, 2012.

U.S. Appl. No. 12/873,303, filed Aug. 31, 2010, Edmond, et al.

U.S. Appl. No. 12/961,385, filed Dec. 6, 2010, Pickard, et al.

Cree's XLamp XP-E LED's, data sheet, pp. 1-17.

Cree's XLamp XP-G Led's, data sheet, pp. 1-12.

U.S. Appl. No. 12/418,796, filed Apr. 6, 2009, Pickard, et al.

U.S. Appl. No. 13/429,080, filed Mar. 23, 2012, Edmond, et al.

U.S. Appl. No. 13/028,946, filed Feb. 16, 2011, Le, et al.

U.S. Appl. No. 13/306,589, filed Nov. 29, 2011, Tarsa, et al.

International Search Report and Written Opinion for Patent Application No. PCT/US2011/001517, dated Feb. 27, 2012.

U.S. Appl. No. 13/649,052, filed Oct. 10, 2012, Lowes, et al.

U.S. Appl. No. 13/649,067, filed Oct. 10, 2012, Lowes, et al.

U.S. Appl. No. 13/207,204, filed Aug. 10, 2011, Athalye, et al.

U.S. Appl. No. 13/365,844.

U.S. Appl. No. 13/662,618, filed Oct. 29, 2012, Athalye, et al.

U.S. Appl. No. 13/462,388, filed May 2, 2012.

U.S. Appl. No. 13/842,150, filed Mar. 15, 2013, Dixon, et al.

U.S. Appl. No. 13/770,389, filed Feb. 19, 2013, Lowes, et al.

U.S. Appl. No. 13/782,820, filed Mar. 1, 2013, Dixon, et al.

XLamp®C family from Cree®, Inc., Product Family Data Sheet, 15 pages.

XLamp®M family from Cree®, Inc., Product Family Data Sheet, 14 pages.

XLamp®X family from Cree®, Inc., Product Family Data Sheet, 17 pages.

Energy Star® Program Requirements for Solid State Lighting Luminaires, Eligibility Criteria—Version 1.1, final Dec. 19, 2008.

Assist Recommends . . . LED Life for General Lighting: Definition of Life. vol. 1. Issue 1, Feb. 2005.

"IES Approved Method for Measuring Lumen Maintenance of LED light Sources", Sep. 22, 2008, ISBN No. 978-0-87995-227-3. (LM-80).

International Search Report and Written Opinion from PCT Application No. PCT/US2013/021353, dated Apr. 17, 2013.

Search Report and Written Opinion from PCT Patent Appl. No. PCT/US2012/047084, dated Feb. 27, 2013.

Search Report and Written Opinion from PCT Patent Appl. No. PCT/US2012/071800, dated Mar. 25, 2013.

U.S. Appl. No. 12/074,762, filed Mar. 2008, Jacobson, et al.

U.S. Appl. No. 13/442,311, filed Apr. 2012, Lu, et al.

U.S. Appl. No. 13/763,270, filed Feb. 2010, Heeter, et al.

Citadel(tm) SLP Lighting (<http://www.slplighting.com/enclosures.html>).

Final Rejection issued in Korean Design Appl. No. 30-2011-0038114, dated Jun. 14, 2013.

Final Rejection issued in Korean Design Appl. No. 30-2011-0038115, dated Jun. 14, 2013.

Final Rejection issued in Korean Design Appl. No. 30-2011-0038116, dated Jun. 17, 2013.

International Search Report and Written Opinion from PCT Patent Appl. No. PCT/US2013/035668, dated Jul. 12, 2013.

Notice to Submit a Response from Korean Patent Application No. 30-2011-0038115, dated Dec. 12, 2012.

Notice to Submit a Response from Korean Patent Application No. 30-2011-0038116, dated Dec. 12, 2012.

International Search Report and Written Opinion from Appl. No. PCT/CN2013/072772, dated Dec. 19, 2013.

International Search Report and Written Opinion from PCT/US2013/049225, dated Oct. 24, 2013.

Office Action from U.S. Appl. No. 29/387,171, dated May 2, 2012.

Response to OA from U.S. Appl. No. 29/387,171, filed Aug. 2, 2012.

Office Action from U.S. Appl. No. 12/961,385, dated Apr. 26, 2013.

Response to OA from U.S. Appl. No. 12/961,385, filed Jul. 24, 2013.

Office Action from U.S. Appl. No. 13/464,745, dated Jul. 16, 2013.

Office Action from U.S. Appl. No. 29/368,970, dated Jun. 19, 2012.

Office Action from U.S. Appl. No. 29/368,970, dated Aug. 24, 2012.

Response to OA from U.S. Appl. No. 29/368,970, filed Nov. 26, 2012.

Office Action from U.S. Appl. No. 12/961,385, dated Nov. 6, 2013.

U.S. Appl. No. 14/145,559, filed Dec. 31, 2013, Lui, et al.

U.S. Appl. No. 12/463,709, filed May 11, 2009, Donofrio, et al.

U.S. Appl. No. 11/656,759, filed Jan. 22, 2007, Chitnis, et al.

U.S. Appl. No. 11/899,790, filed Sep. 7, 2007, Chitnis, et al.

U.S. Appl. No. 12/566,195, filed Sep. 24, 2009, Van de Ven, et al.

U.S. Appl. No. 12/704,730, filed Feb. 12, 2010, Van de Ven, et al.

U.S. Appl. No. 14/145,355, filed Dec. 31, 2013, Van de Ven, et al.

U.S. Appl. No. 13/828,348, filed Mar. 14, 2013, Edmond, et al.

U.S. Appl. No. 13/345,215, filed Jan. 6, 2012, Lu, et al.

White97 film Technical Data Sheet from WhiteOptics, LLC of New Castel.

Office Action from U.S. Appl. No. 13/787,727, dated Jan. 29, 2015.

Office Action from U.S. Appl. No. 13/429,080, dated Feb. 18, 2015.

Office Action from U.S. Appl. No. 13/453,924, dated Mar. 10, 2015.

First Official Action from European Patent Appl. No. 12 743 003.1-1757, dated Jan. 16, 2015.

Second Office Action and Search Report from Chinese Appl. No. 2011800529984, dated Dec. 26, 2014.

Grant Notice from European Appl. No. 13701525.1, dated Nov. 19, 2014.

International Report and Written Opinion from PCT/US2013/049225, dated Jan. 22, 2015.

Office Action from U.S. Appl. No. 13/828,348, dated Nov. 20, 2014.

Office Action from U.S. Appl. No. 12/873,303, dated Nov. 28, 2014.

Office Action from U.S. Appl. No. 13/464,745, dated Dec. 10, 2014.

Office Action from U.S. Appl. No. 13/341,741, dated Dec. 24, 2014.

Office Action from U.S. Appl. No. 13/189,535, dated Jan. 13, 2015.

Decision of Rejection from Japanese Appl. No. 2013-543207, dated Nov. 25, 2014.

Office Action from Mexican Appl. No. 100881, dated Nov. 28, 2014.

Grant Notice from European Appl. No. 13701525.1-1757, dated Nov. 24, 2014.

Preliminary Report on Patentability from PCT/US2013/035668, dated Oct. 14, 2014.

Office Action from U.S. Appl. No. 13/442,746, dated Sep. 15, 2014.

Office Action from U.S. Appl. No. 13/429,080, dated Sep. 16, 2014.

Office Action from U.S. Appl. No. 13/844,431, dated Oct. 10, 2014.

(56)

References Cited

OTHER PUBLICATIONS

Office Action from U.S. Appl. No. 13/443,630, dated Oct. 10, 2014.
 Office Action from U.S. Appl. No. 13/368,217, dated Oct. 22, 2014.
 Office Action from U.S. Appl. No. 12/961,385, dated Nov. 6, 2014.
 Office Action from U.S. Appl. No. 13/453,924, dated Nov. 7, 2014.
 Office Action from U.S. Appl. No. 13/464,745, dated Jul. 16, 2014.
 Communication from European Patent Appl. No. 13701525.1-1757, dated Sep. 26, 2014.
 International Preliminary Report on Patentability and Written Opinion from PCT/US2013/021053, dated Aug. 21, 2014.
 International Preliminary Report on Patentability from PCT/US2012/071800 dated Jul. 10, 2014.
 Office Action from U.S. Appl. No. 13/189,535, dated Jun. 20, 2014.
 Office Action from U.S. Appl. No. 13/453,924, dated Jun. 25, 2014.
 Office Action from U.S. Appl. No. 13/443,630, dated Jul. 1, 2014.
 Reasons for Rejection from Japanese Patent Appl. No. 2013-543207, dated May 20, 2014.
 First Office Action from Chinese Patent Appl. No. 2011800529984, dated May 4, 2014.
 Office Action from U.S. Appl. No. 13/544,662, dated May 5, 2014.
 Office Action from U.S. Appl. No. 13/844,431, dated May 15, 2014.
 Office Action from U.S. Appl. No. 13/341,741, dated Jun. 6, 2014.
 Office Action from U.S. Appl. No. 13/429,080, dated Apr. 18, 2014.
 Office Action from U.S. Appl. No. 12/961,385, dated Mar. 11, 2014.
 Preliminary Report and Written Opinion from PCT Appl. No. PCT/US2012/047064, dated Feb. 6, 2014.
 Office Action from U.S. Appl. No. 12/961,385, dated Nov. 27, 2015.
 Office Action from U.S. Appl. No. 13/828,348, dated Nov. 4, 2015.
 Office Action from U.S. Appl. No. 14/020,757, dated Nov. 24, 2014.
 First Office Action from Chinese Patent Appl. No. 2011800588770, dated Sep. 25, 2015.
 Office Action for Chinese Patent Application No. 2011800588770; dated Sep. 26, 2016.
 Notification of Reexamination for Chinese Application No. 2011800529984; dated Oct. 10, 2016.

Office Action for U.S. Appl. No. 13/828,348; dated Oct. 17, 2016.
 Office Action for European Application No. 11754767.9; dated Oct. 31, 2016.
 Office Action for U.S. Appl. No. 12/873,303; dated Nov. 25, 2016.
 Notice of Allowance for Taiwan Application No. 100131021; Dated Nov. 28, 2016.
 Office Action for U.S. Appl. No. 13/368,217; dated Jan. 3, 2017.
 Office Action for U.S. Appl. No. 14/225,327; dated Mar. 14, 2017.
 European Notice of Allowance for Application No. 12743003.1; dated Mar. 17, 2017.
 Office Action for U.S. Appl. No. 13/189,535; dated Mar. 23, 2017.
 Office Action for U.S. Appl. No. 13/464,745; dated Mar. 23, 2017.
 Foreign Office Action for Chinese Application No. 2011800529984; dated Apr. 5, 2017.
 Office Action for U.S. Appl. No. 14/721,806; dated Apr. 21, 2017.
 Office Action for U.S. Appl. No. 13/443,630; Dated May 18, 2017.
 Office Action for U.S. Appl. No. 13/828,348; dated Jun. 2, 2016.
 Notice of Reason for Rejection for Japanese Appl. No. 2013-543207; dated May 24, 2016.
 Second Office Action for Application No. 2011800588770; dated Mar. 29, 2016.
 Office Action from U.S. Appl. No. 13/464,745, dated Mar. 1, 2016.
 Office Action from U.S. Appl. No. 14/716,480, dated Mar. 3, 2016.
 Office Action from U.S. Appl. No. 13/368,217, dated Mar. 4, 2016.
 Office Action from U.S. Appl. No. 13/169,535, dated Mar. 18, 2016.
 Office Action from U.S. Appl. No. 14/020,757, dated Apr. 7, 2016.
 Office Action from U.S. Appl. No. 29/466,391, dated May 10, 2016.
 Office Action for U.S. Appl. No. 14/170,627, dated Jun. 16, 2017.
 Office Action for U.S. Appl. No. 14/716,480, dated Jul. 5, 2017.
 Office Action for U.S. Appl. No. 12/873,303, dated Aug. 9, 2017.
 Office Action for U.S. Appl. No. 13/828,348, dated Sep. 1, 2017.
 Office Acton for U.S. Appl. No. 14/225,327, dated Oct. 2, 2017.
 Office Action for U.S. Appl. No. 13/189,535, dated Oct. 30, 2017.
 Office Action for U.S. Appl. No. 14/721,806, dated Nov. 1, 2017.

* cited by examiner

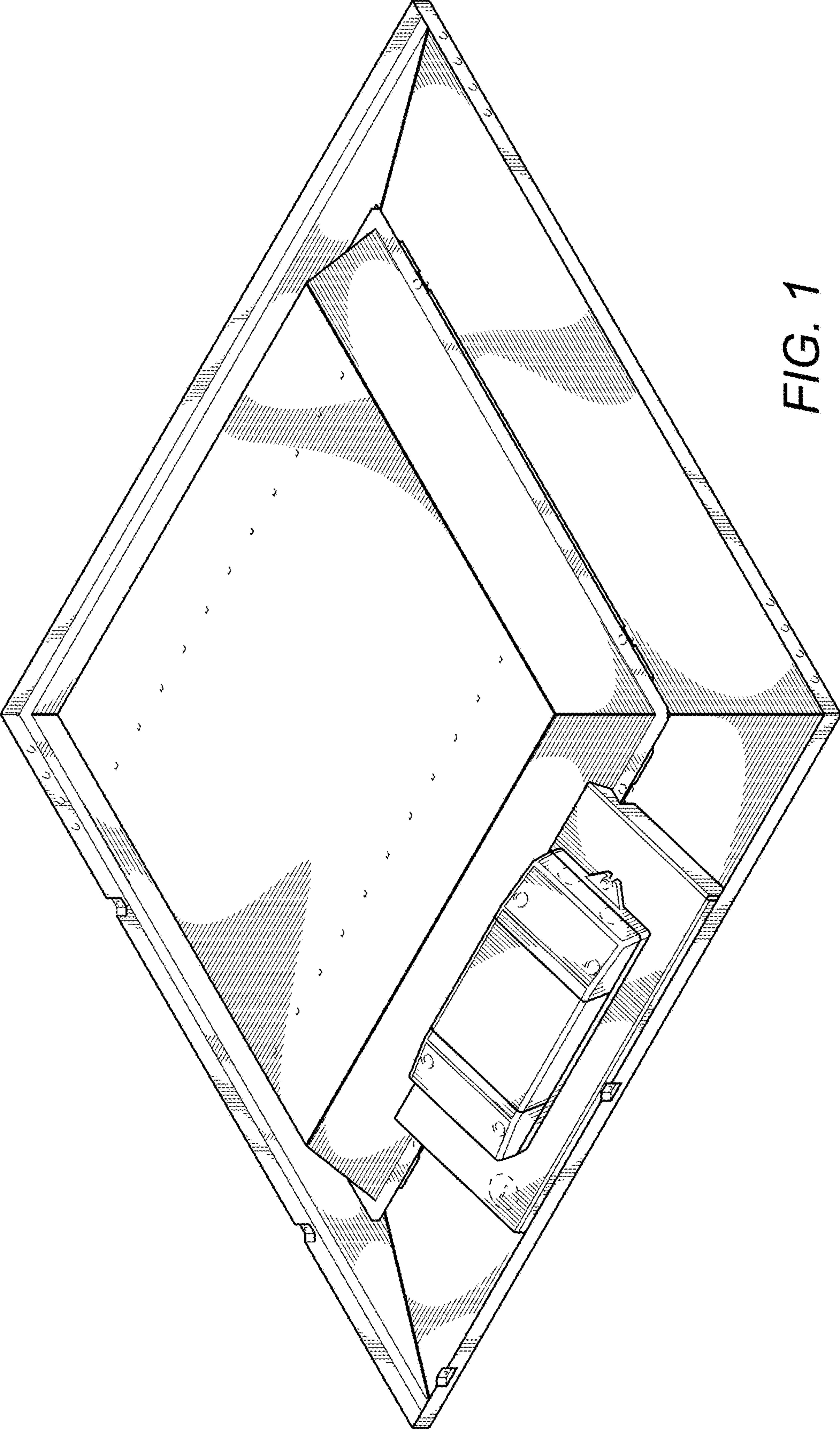


FIG. 1

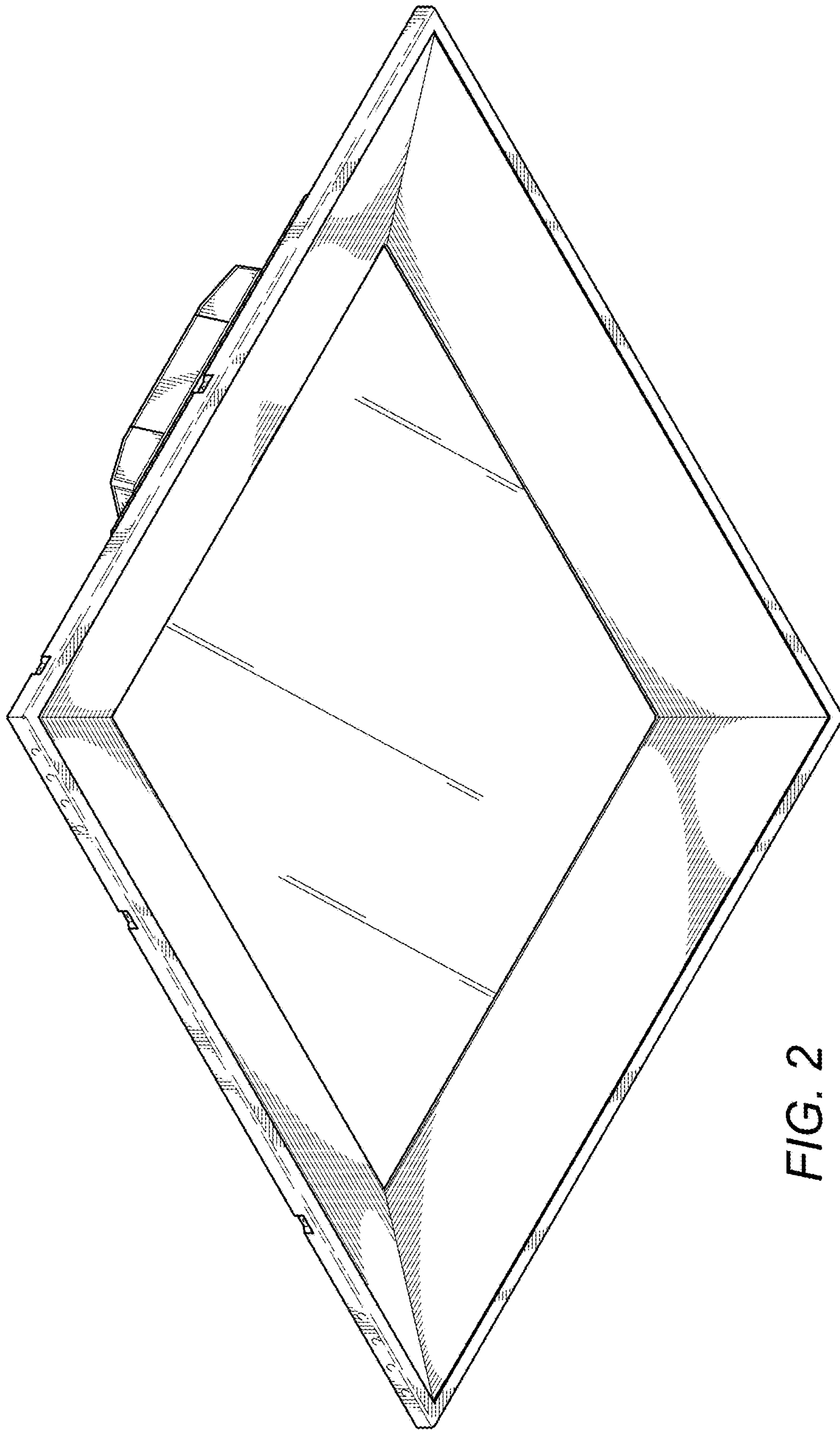


FIG. 2

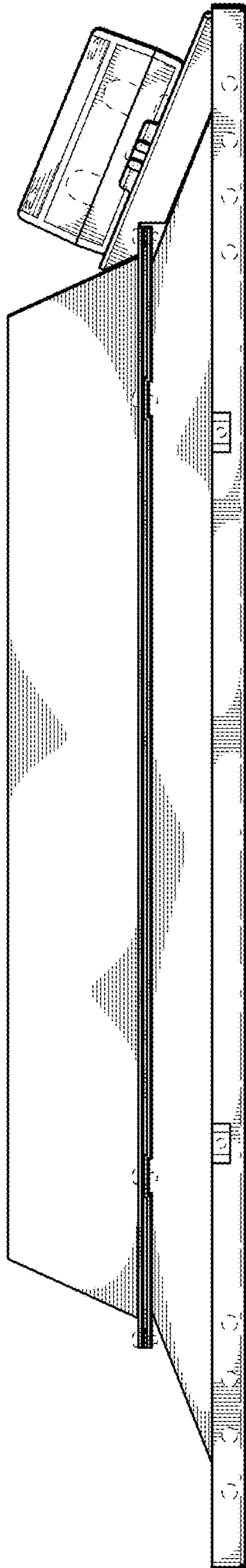


FIG. 3

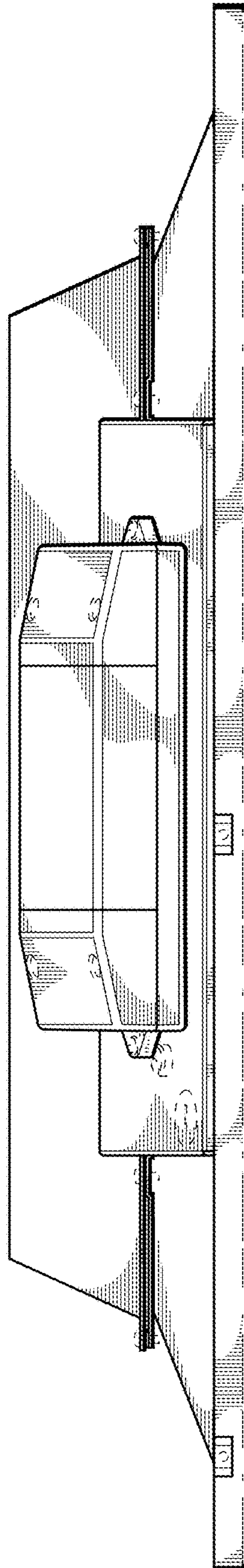


FIG. 4

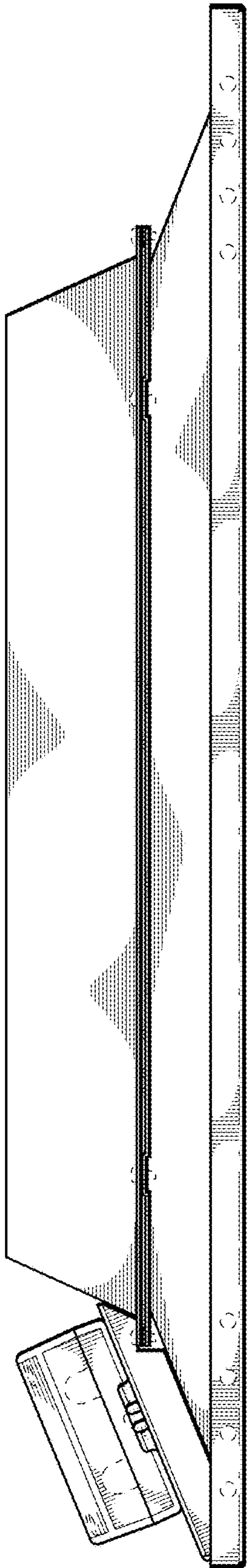


FIG. 5

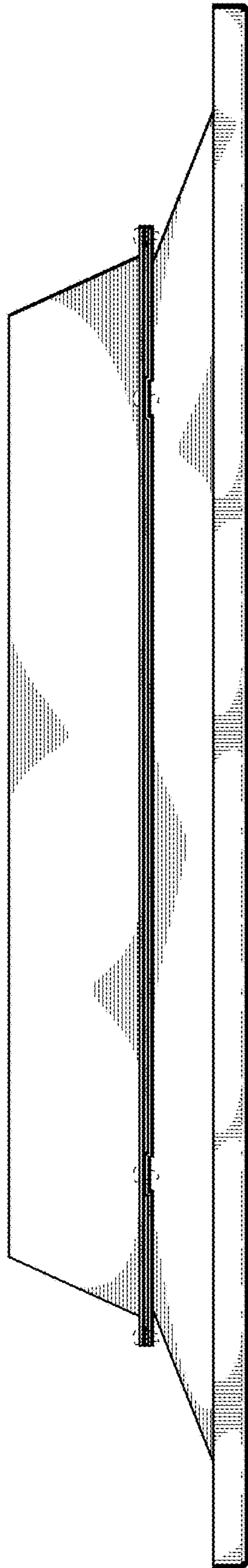


FIG. 6

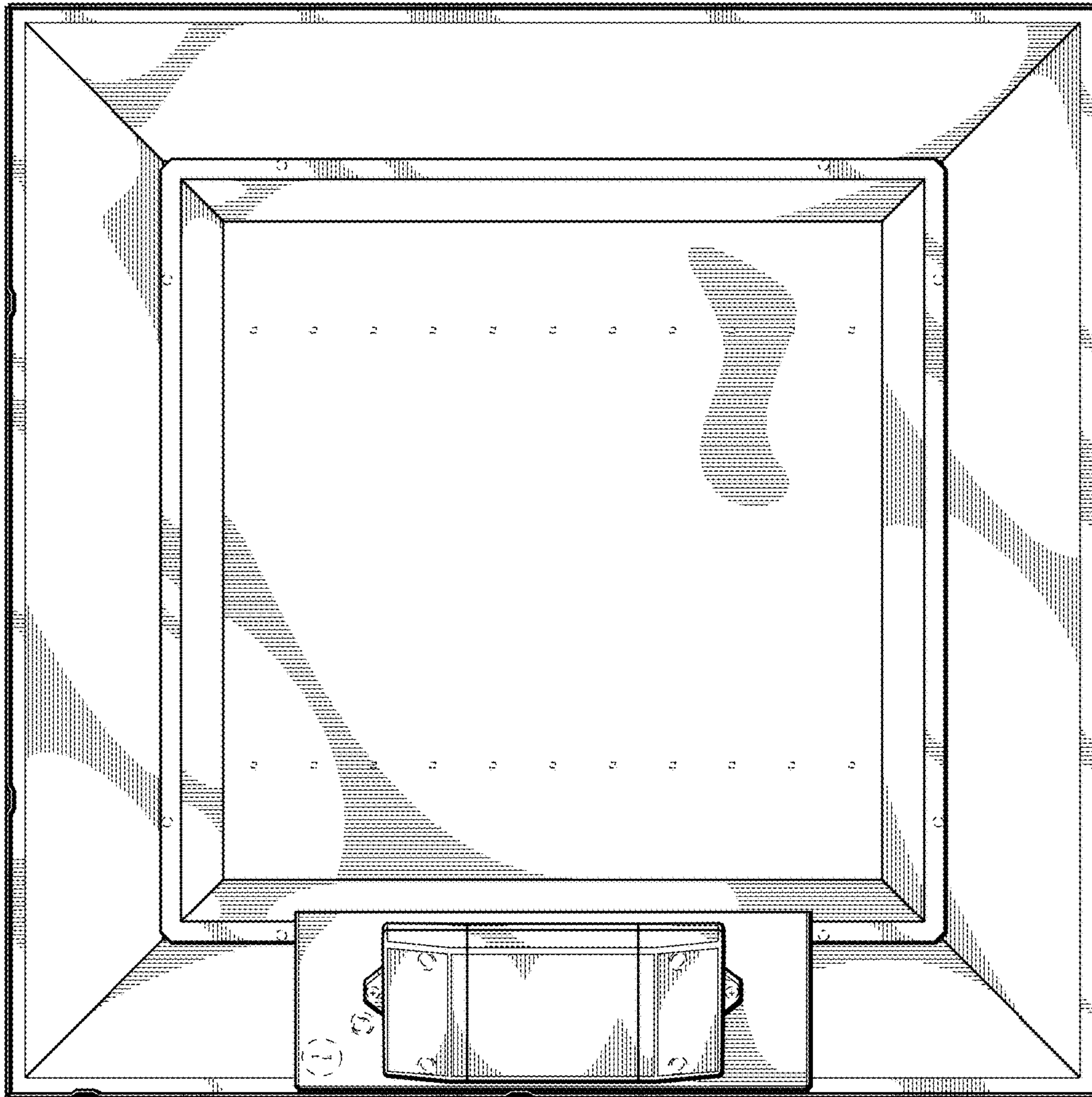


FIG. 7

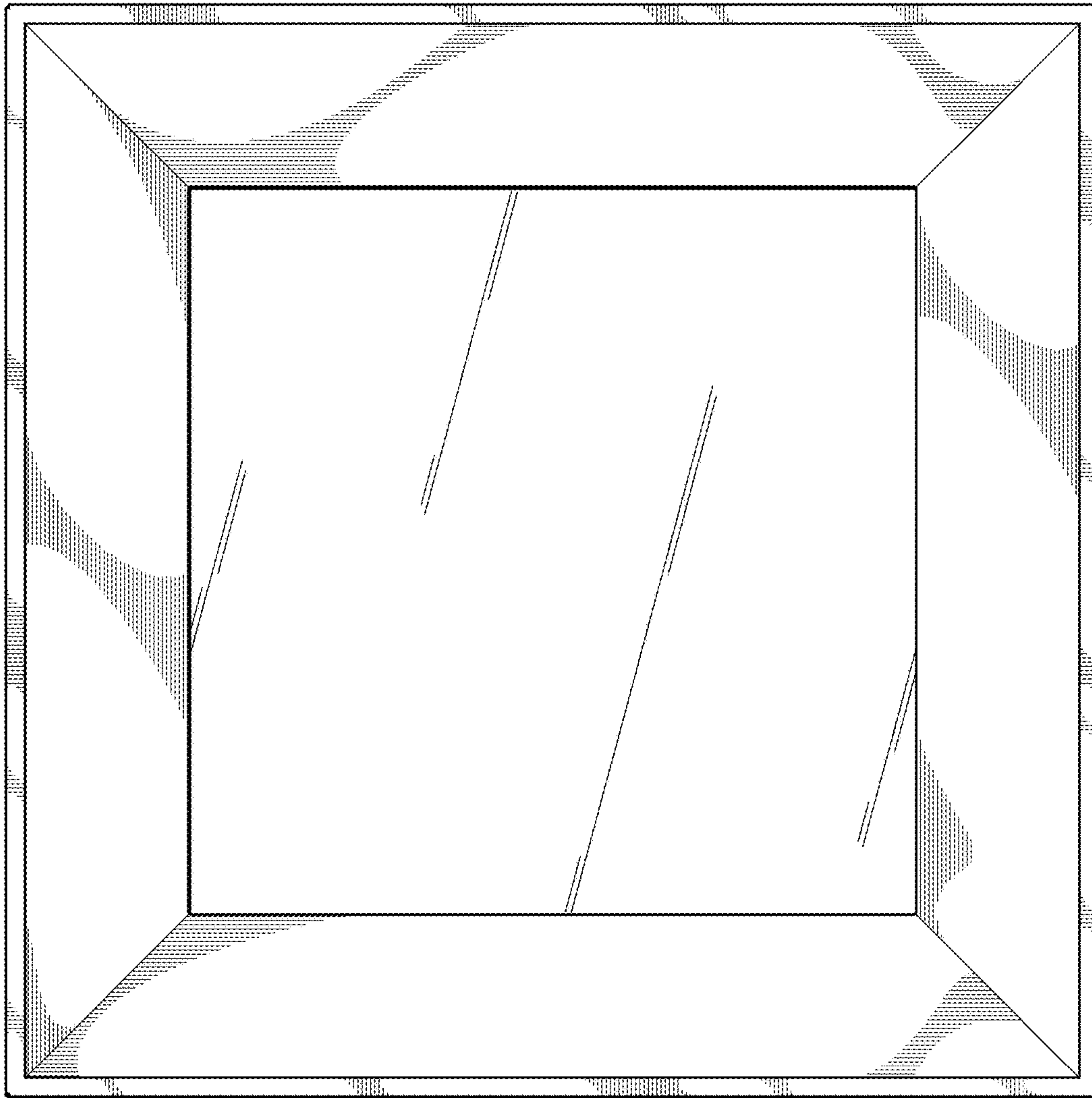


FIG. 8