



US00D807553S

(12) **United States Design Patent** (10) **Patent No.:** **US D807,553 S**
Harbs (45) **Date of Patent:** **** Jan. 9, 2018**

(54) **LIGHTING DEVICE**

(71) Applicants: **Holger Harbs**, Dresden (DE); **Corina Rocho**, Großdöbschütz (DE)

(72) Inventor: **Holger Harbs**, Dresden (DE)

(73) Assignee: **Corina Rocho**, Grossdöbschütz (DE)

(**) Term: **15 Years**

(21) Appl. No.: **29/592,711**

(22) Filed: **Feb. 1, 2017**

Related U.S. Application Data

(62) Division of application No. 35/500,111, filed on Aug. 5, 2015 (U.S. filing date under 35 U.S.C. 384), and having an international filing date of Aug. 5, 2015, now Pat. No. Des. 790,101.

(30) **Foreign Application Priority Data**

Jun. 30, 2015 (EM) 002728386

(51) **LOC (11) Cl.** **26-99**

(52) **U.S. Cl.**
USPC **D26/73**

(58) **Field of Classification Search**
USPC D26/8, 67-72, 114, 116, 118, 25, 26, 60,
D26/73, 94, 95, 97, 98, 125; 362/121,
362/145, 183, 431, 124, 644, 653
CPC F21V 21/14; F21V 15/01; F21V 14/02;
F21V 21/30; F21V 14/00; F21S 8/00;
F21Y 2105/001

See application file for complete search history.

(56) **References Cited**

U.S. PATENT DOCUMENTS

| | | | |
|--------------|---------|---------------|--------|
| D343,579 S * | 1/1994 | Halasz | D9/774 |
| D393,205 S * | 4/1998 | Jansen | D9/503 |
| D399,419 S * | 10/1998 | Edson | D7/901 |
| D508,576 S * | 8/2005 | Brady | D26/26 |
| D632,002 S * | 2/2011 | Dye | D26/59 |
| D731,696 S * | 6/2015 | Johnson | D26/73 |
| D731,697 S * | 6/2015 | Johnson | D26/73 |
| D731,698 S * | 6/2015 | Johnson | D26/73 |
| D759,858 S * | 6/2016 | Li | D26/2 |

* cited by examiner

Primary Examiner — Zenia Bennett

(74) *Attorney, Agent, or Firm* — Heslin Rothenberg Farley & Mesiti P.C.

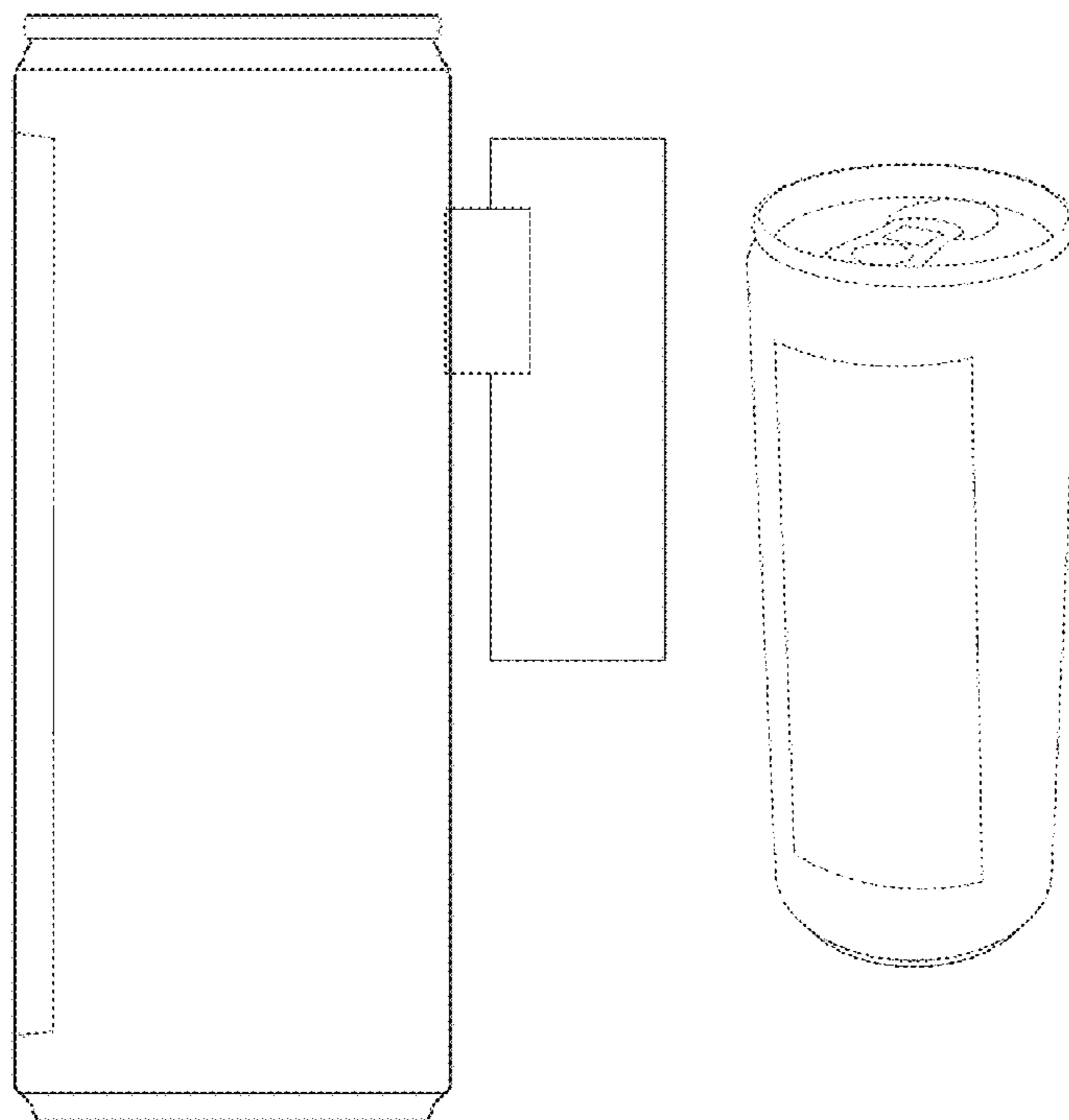
(57) **CLAIM**

The ornamental design for the lighting device, as shown and described.

DESCRIPTION

FIG. 1 is a front elevation view of the lighting device of the present design;
FIG. 2 is a right side elevation view thereof;
FIG. 3 is a rear elevation view thereof;
FIG. 4 is a bottom plan view thereof;
FIG. 5 is top plan view thereof;
FIG. 6 is a left side elevation view thereof; and,
FIG. 7 is a perspective view thereof.

1 Claim, 7 Drawing Sheets



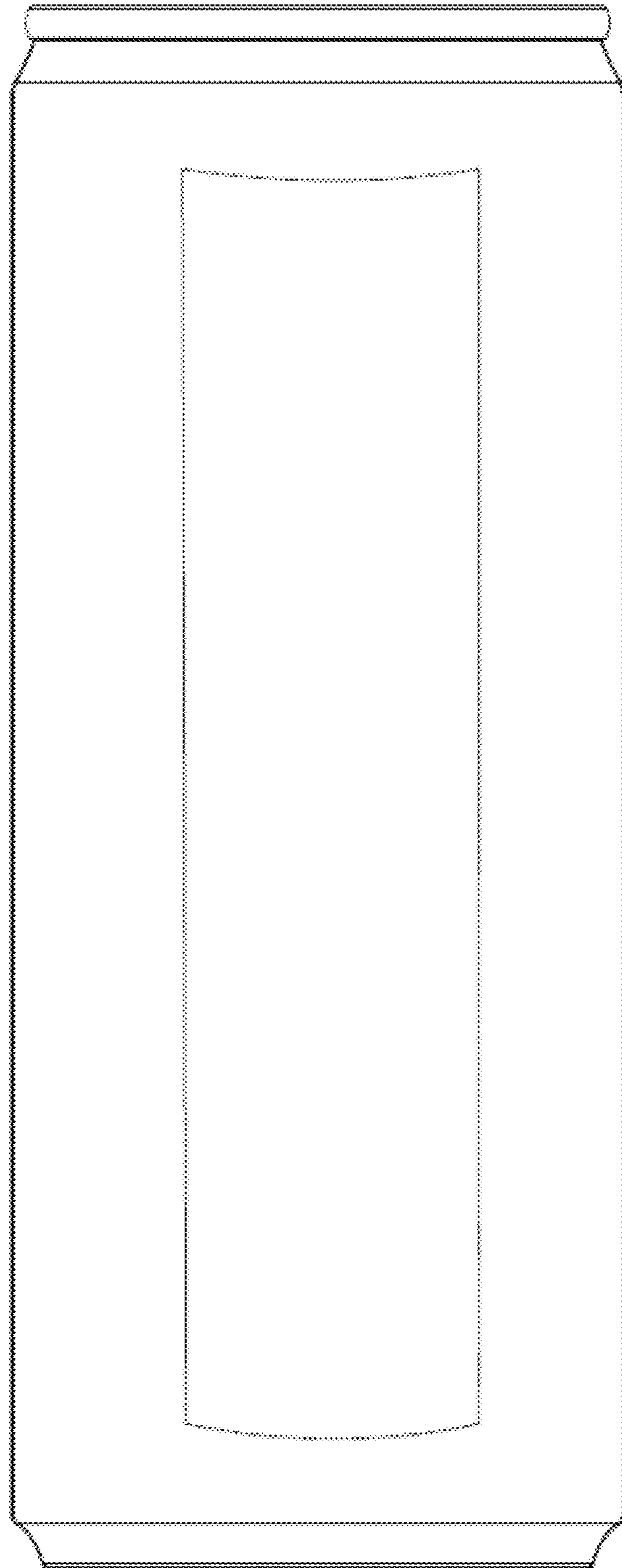


FIG. 1

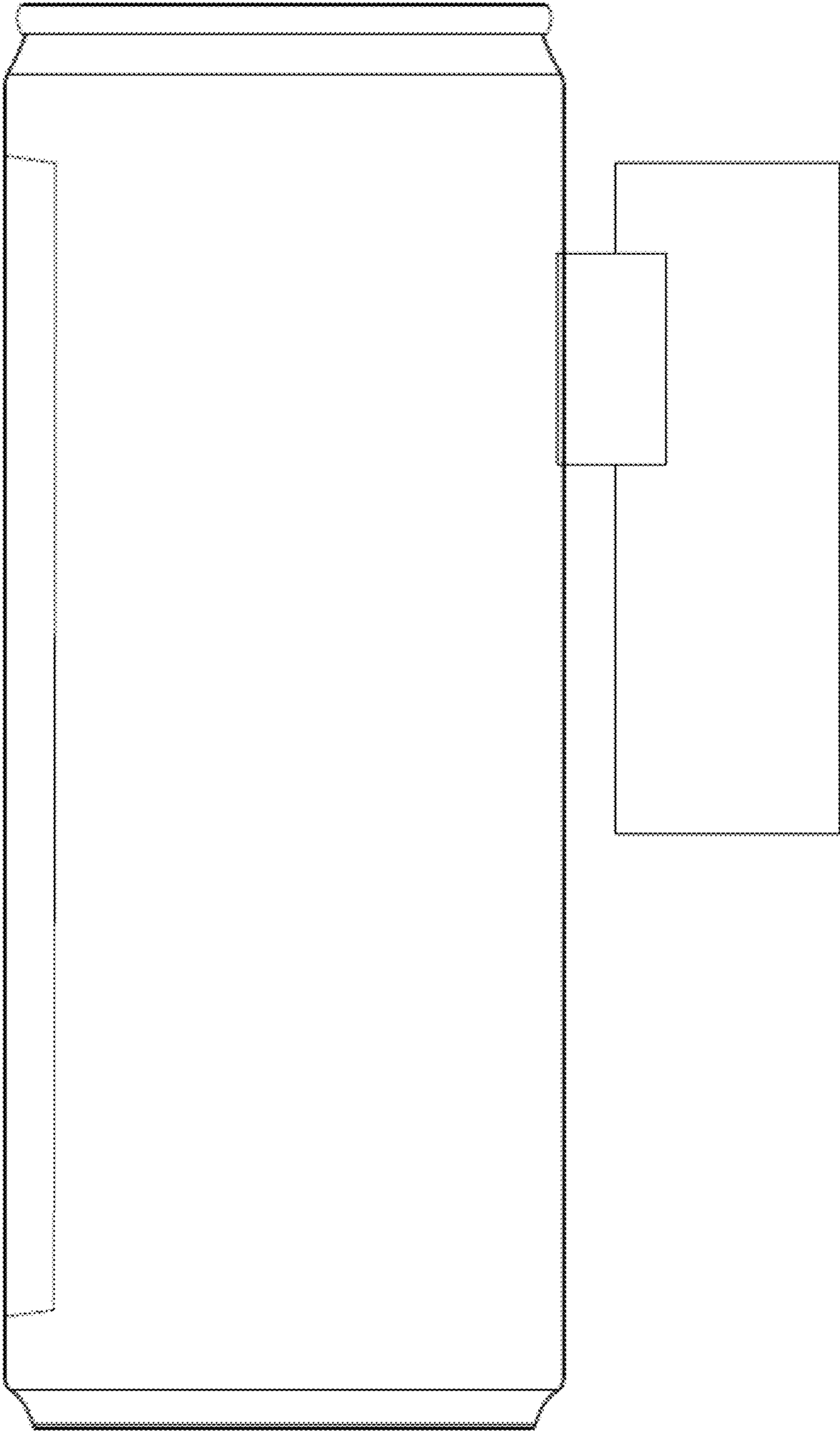


FIG. 2

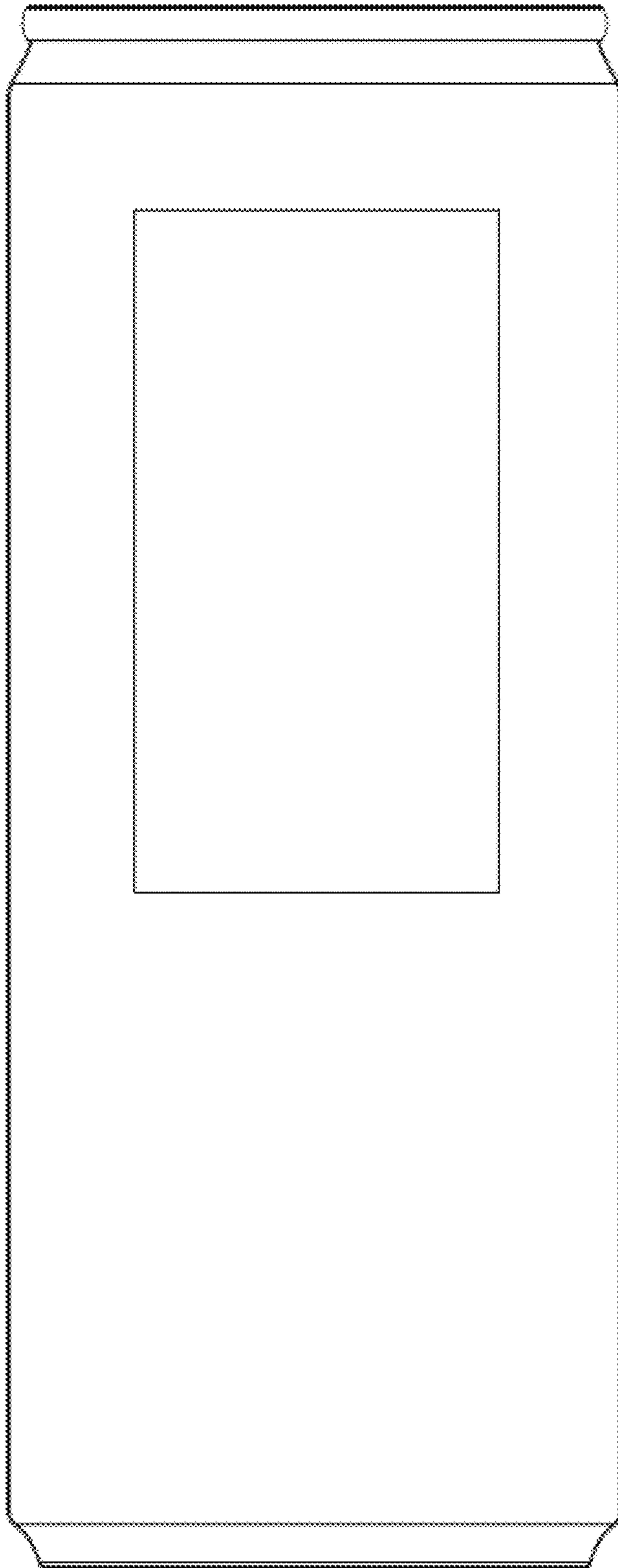


FIG. 3

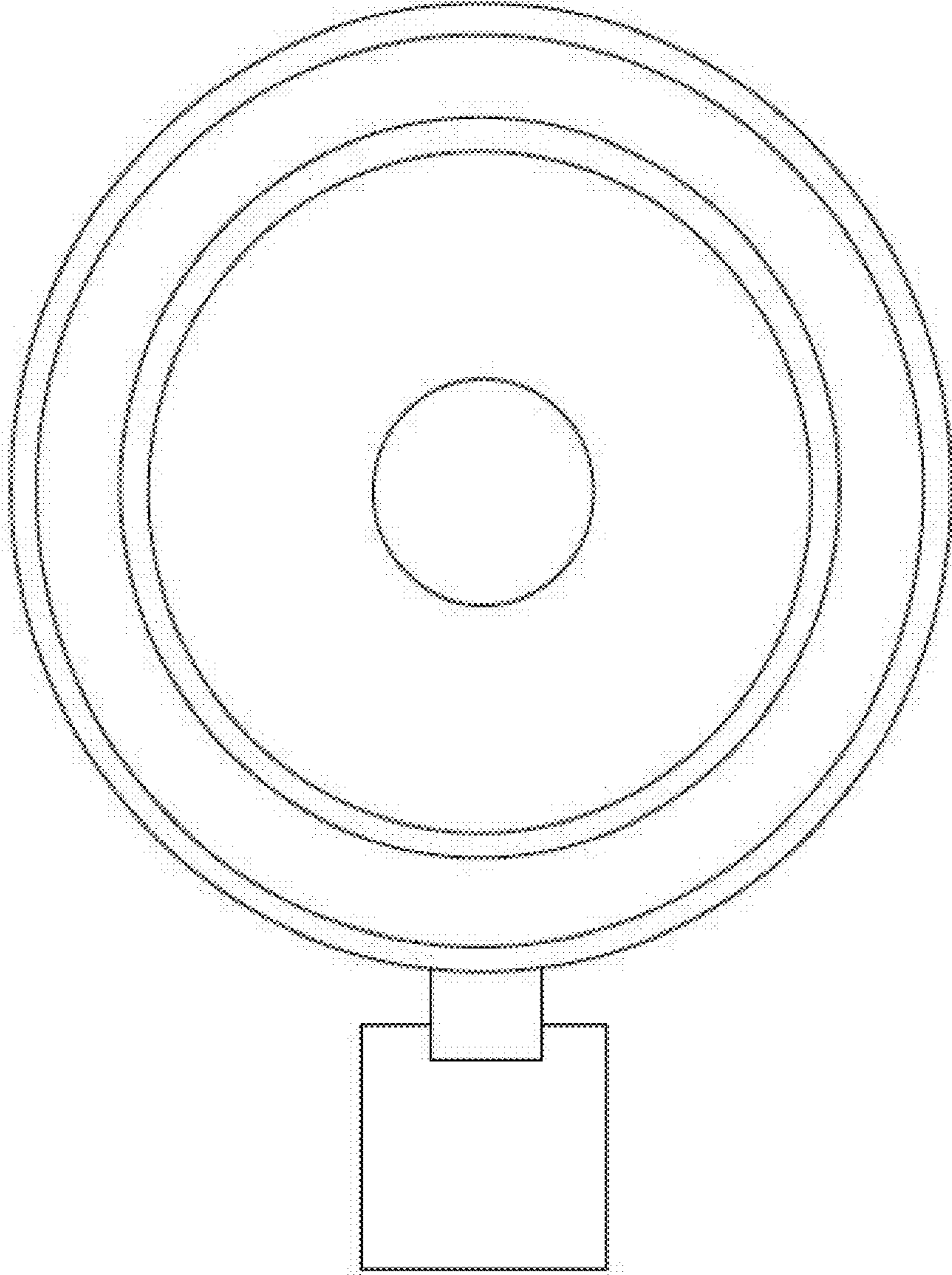


FIG. 4

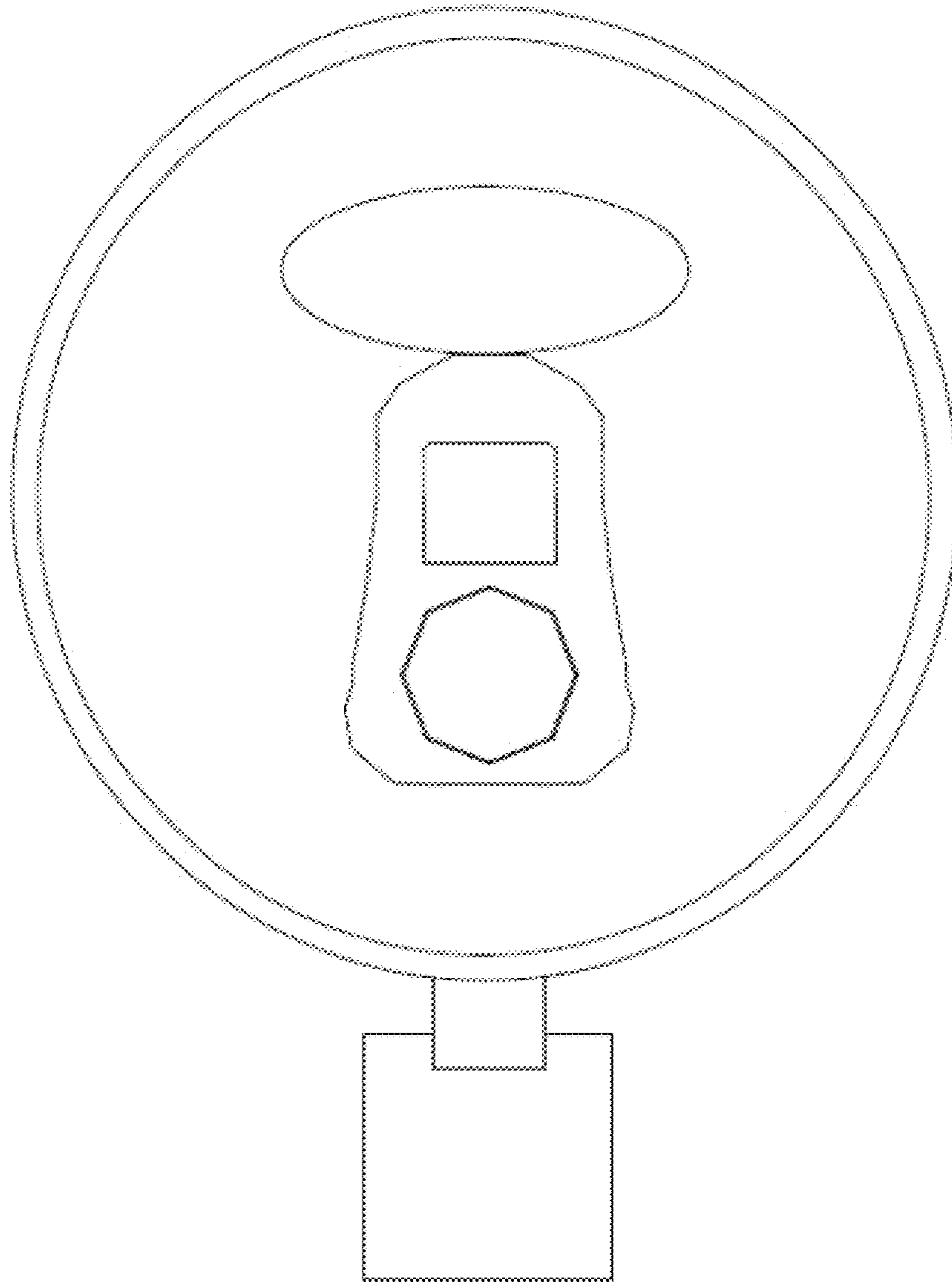


FIG. 5

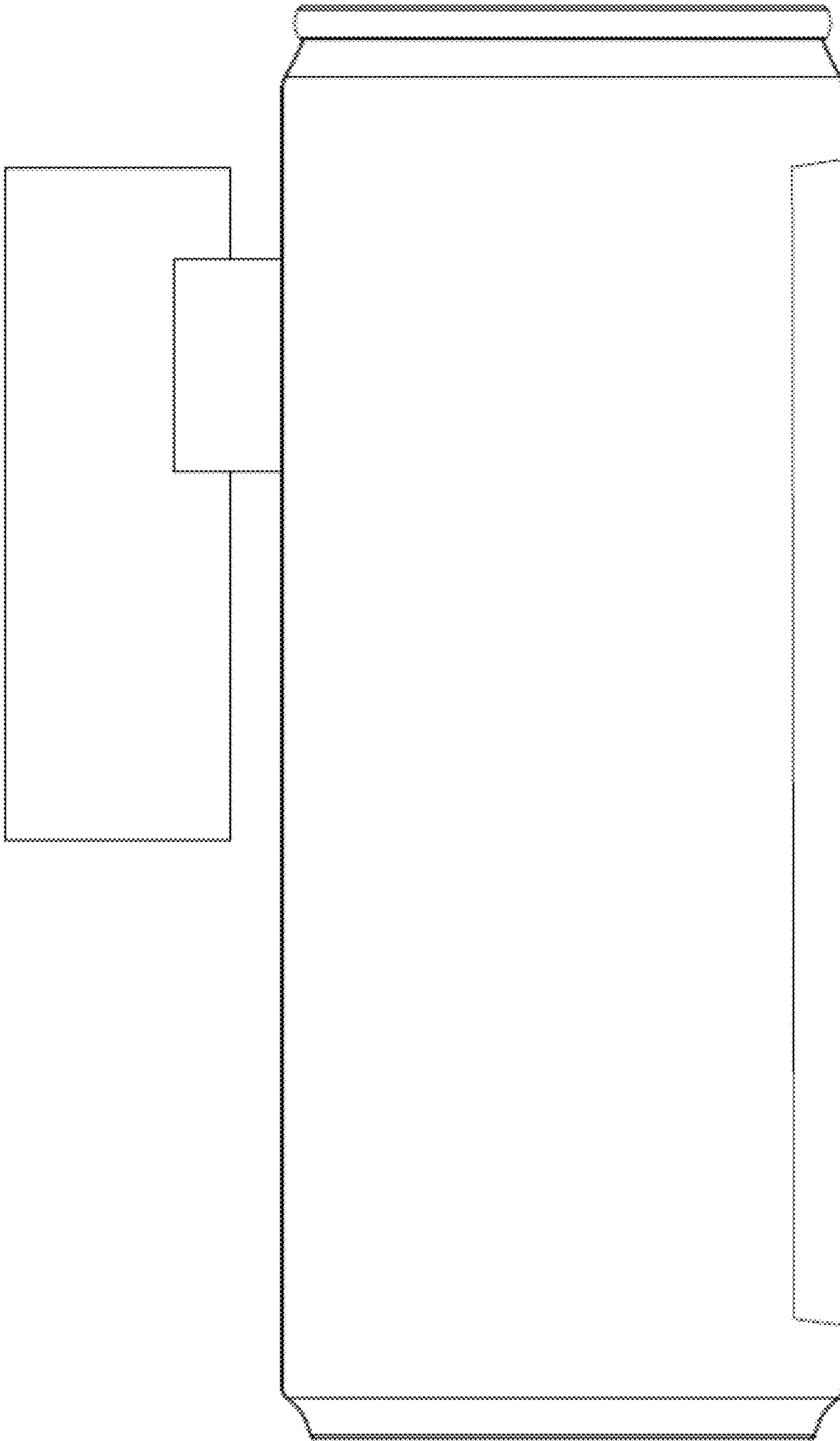


FIG. 6

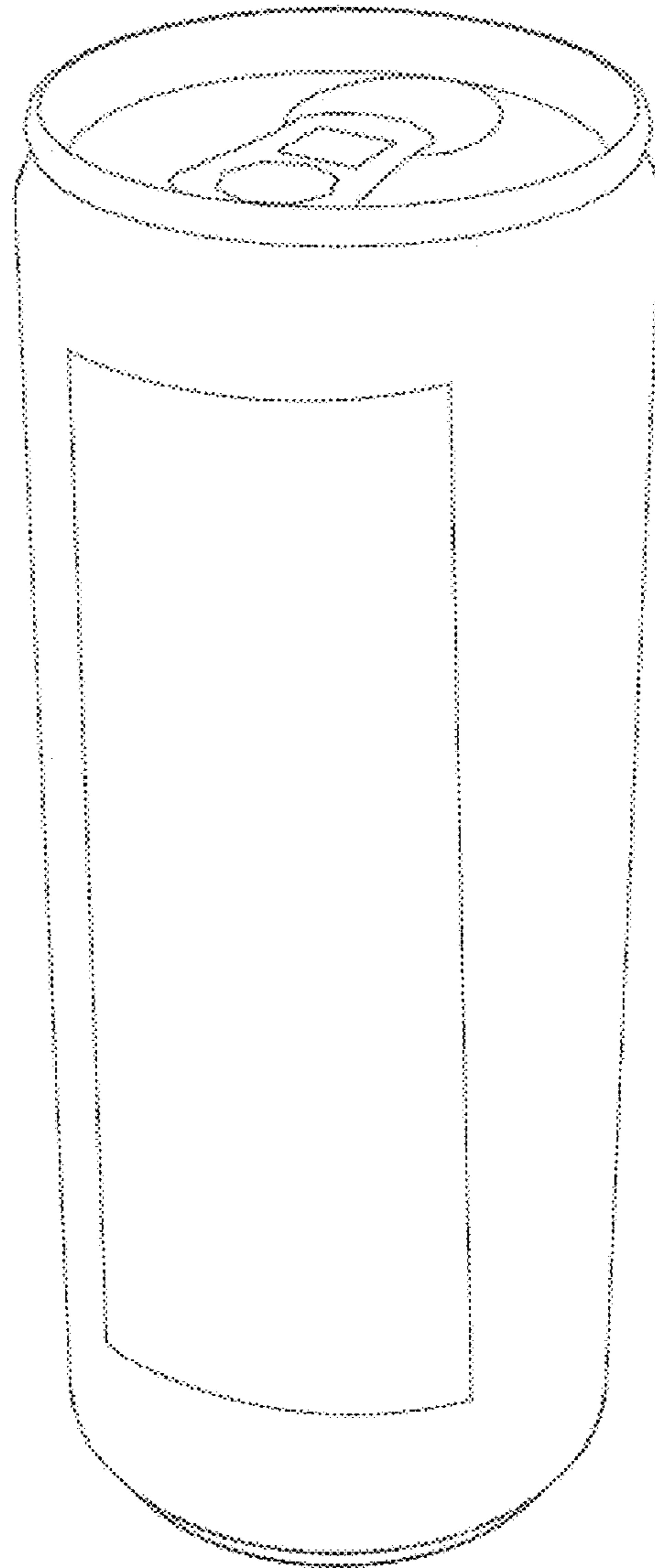


FIG. 7