



US00D807552S

(12) **United States Design Patent**
Iguchi

(10) **Patent No.:** **US D807,552 S**
(45) **Date of Patent:** **** Jan. 9, 2018**

(54) **HEAD OF A STREET LAMP**

(71) Applicant: **MINEBEA CO., LTD.**, Kitasaku-gun,
Nagano (JP)

(72) Inventor: **Kunihiko Iguchi**, Hamamatsu (JP)

(73) Assignee: **MINEBEA MITSUMI INC.**, Nagano
(JP)

(**) Term: **15 Years**

(21) Appl. No.: **29/570,805**

(22) Filed: **Jul. 12, 2016**

(30) **Foreign Application Priority Data**

Jan. 13, 2016 (JP) 2016-000536

(51) **LOC (11) Cl.** **26-05**

(52) **U.S. Cl.**
USPC **D26/72**

(58) **Field of Classification Search**
USPC D26/37-50, 72, 93; 362/217.01-219,
362/221, 223, 249.02
CPC H01R 5/00; H01R 13/46; H01R 13/514;
H01R 31/048; H01J 5/00; H01J 15/00;
H01J 5/48; H01J 5/50; H01J 19/54
See application file for complete search history.

(56) **References Cited**

U.S. PATENT DOCUMENTS

D121,590 S * 7/1940 Heath 362/223
D140,107 S * 1/1945 Lippincott D26/76
D191,628 S * 10/1961 Muller D26/76
D722,718 S * 2/2015 Chen D26/72

* cited by examiner

Primary Examiner — Marcus Jackson

(74) *Attorney, Agent, or Firm* — Pearne & Gordon LLP

(57) **CLAIM**

The ornamental design for a head of a street lamp, as shown and described.

DESCRIPTION

FIG. 1 is a front, top and left-side perspective view of a head of a street lamp showing my new design;

FIG. 2 is a front, bottom and right-side perspective view thereof;

FIG. 3 is a front elevational view thereof;

FIG. 4 is a rear elevational view thereof;

FIG. 5 is a right-side elevational view thereof;

FIG. 6 is a left-side elevational view thereof;

FIG. 7 is a top plan view thereof;

FIG. 8 is a bottom plan view thereof;

FIG. 9 is a cross-sectional view taken along a line 9-9 in FIG. 3 in which the internal mechanism is omitted thereof; and,

FIG. 10 is a perspective view of the head of a street lamp attached to a pole.

The broken lines in FIG. 2 and FIG. 9 depict portions of the head of a street lamp form no part of the claimed design. The broken lines in FIG. 10 depict environmental subject matter only and form no part of the claimed design.

1 Claim, 7 Drawing Sheets

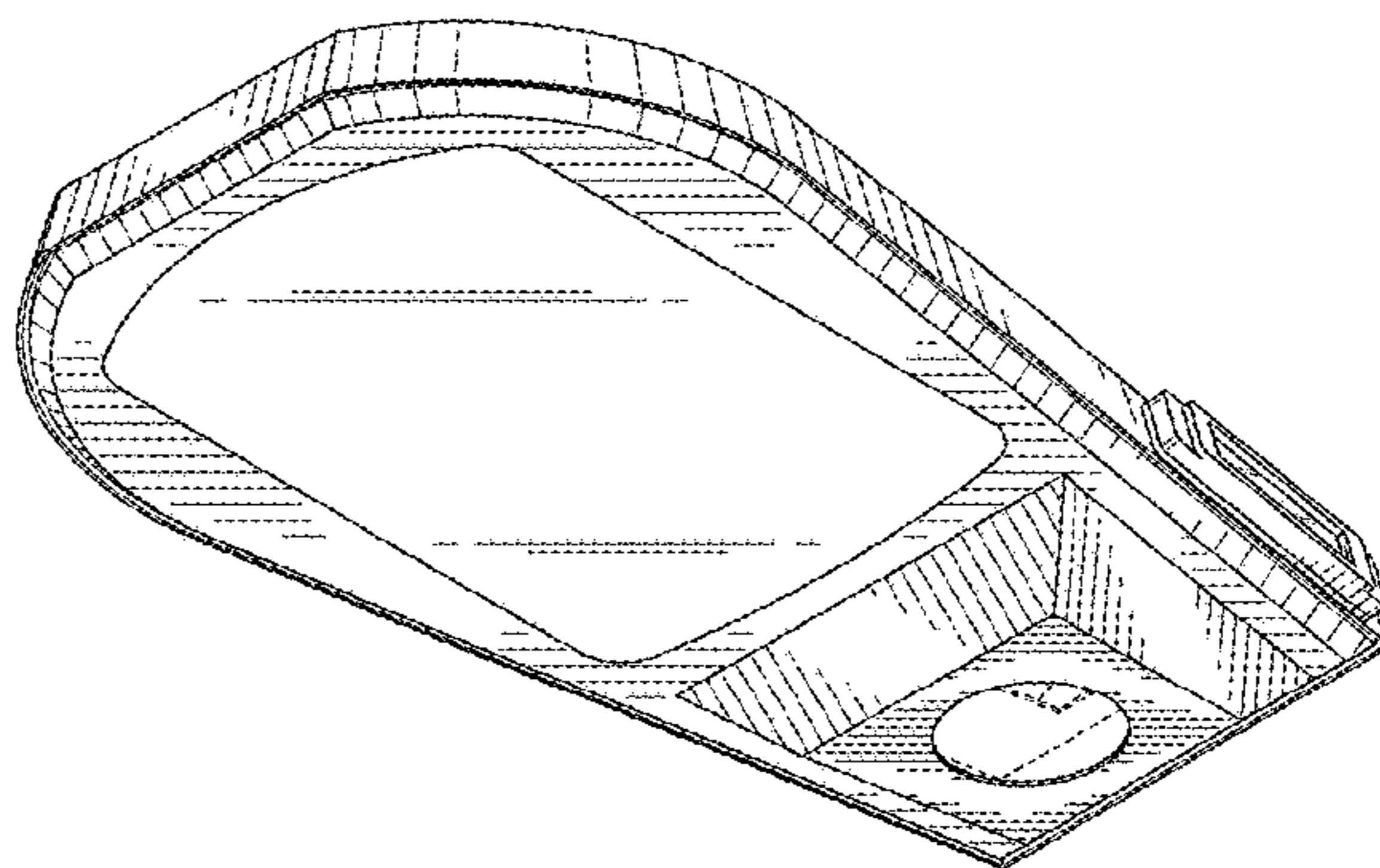
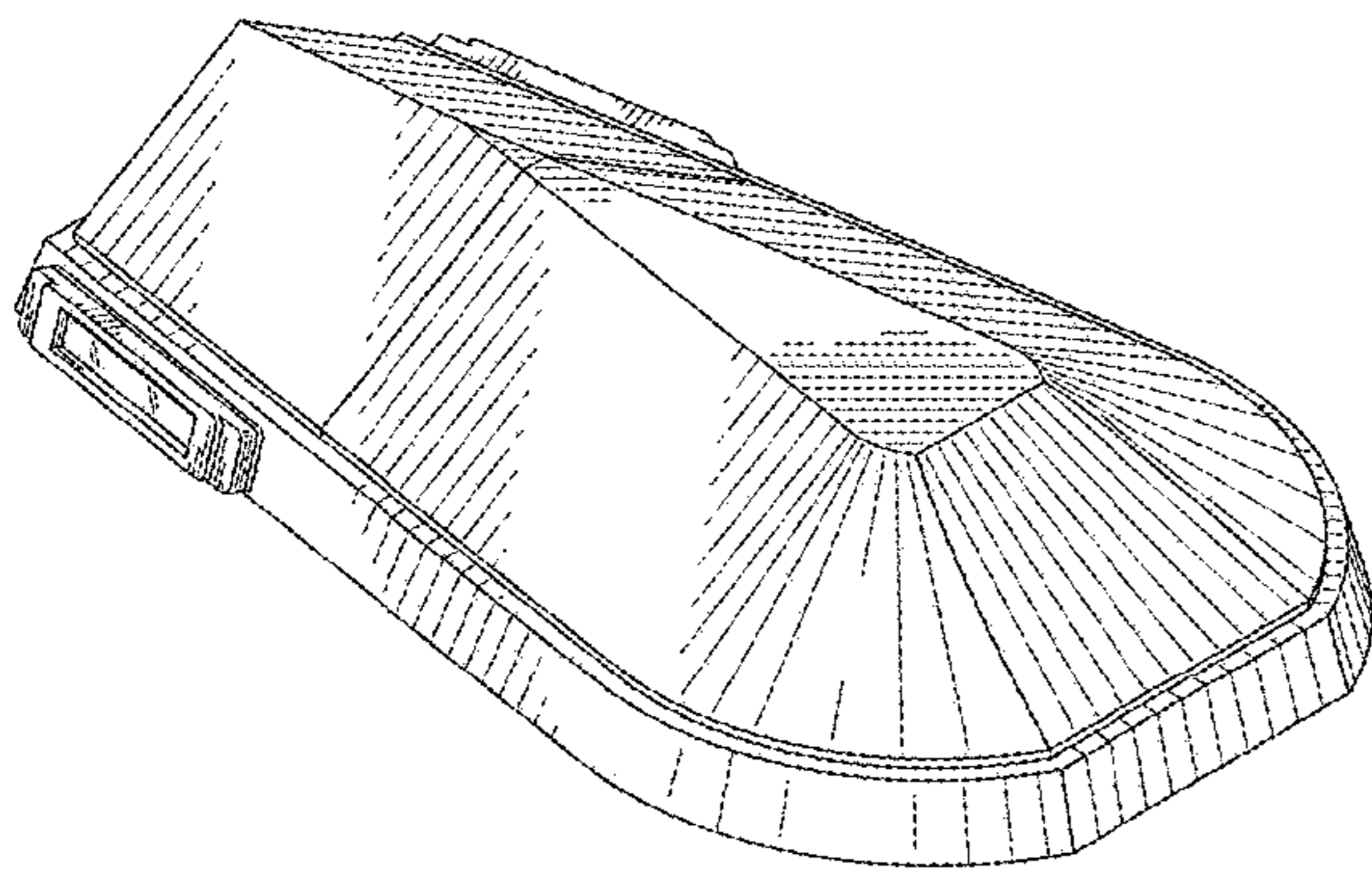


FIG. 1

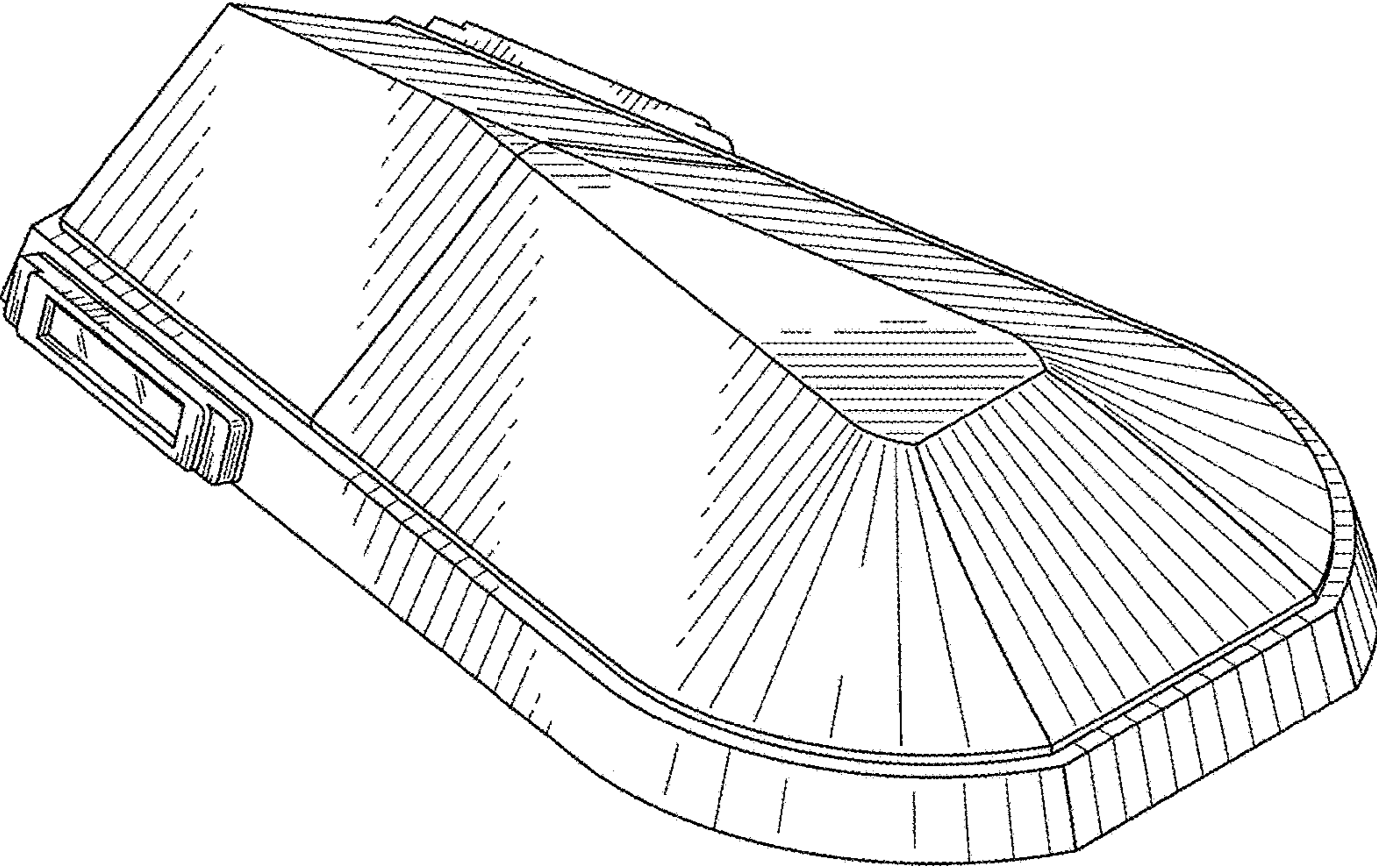


FIG. 2

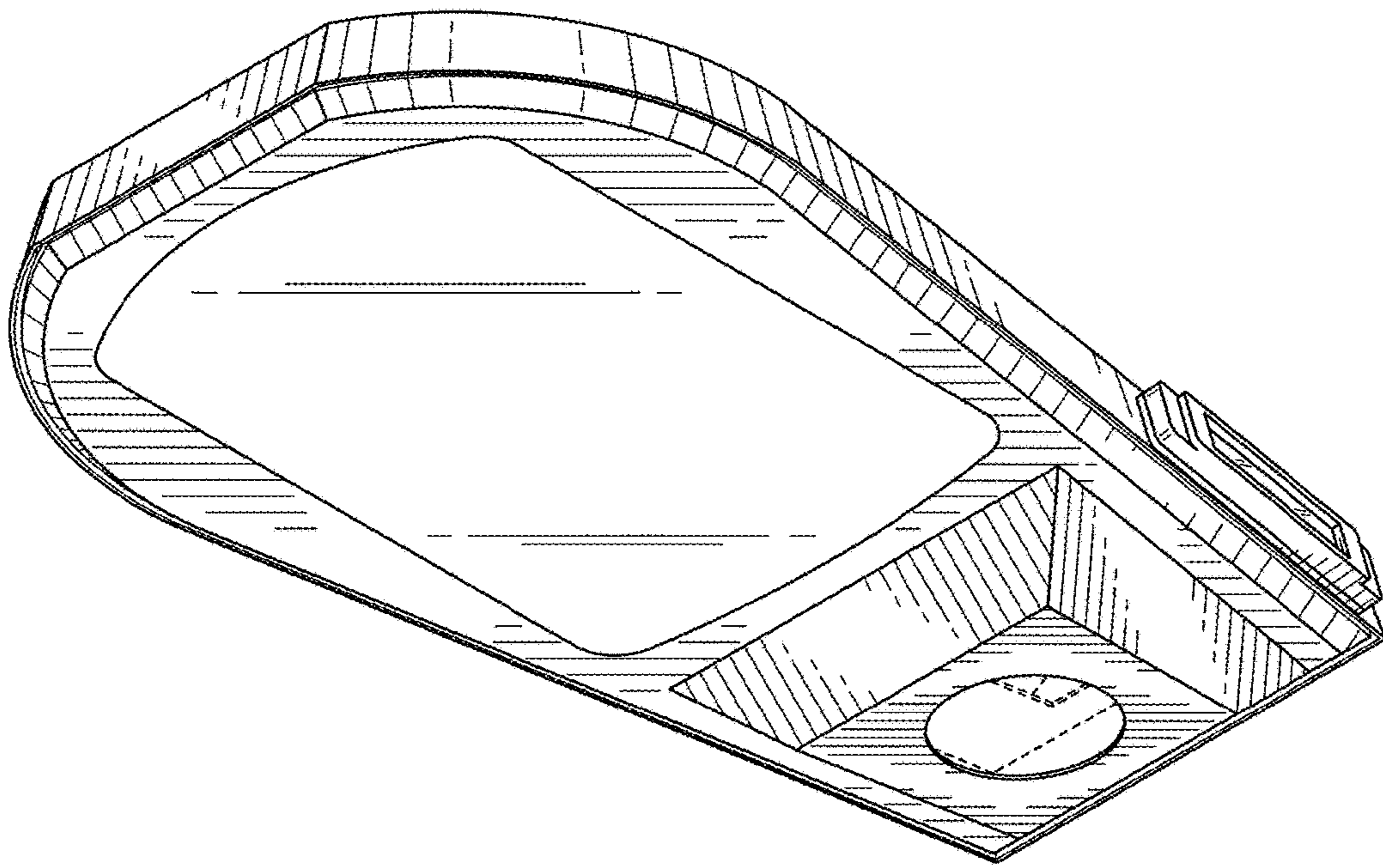


FIG. 3

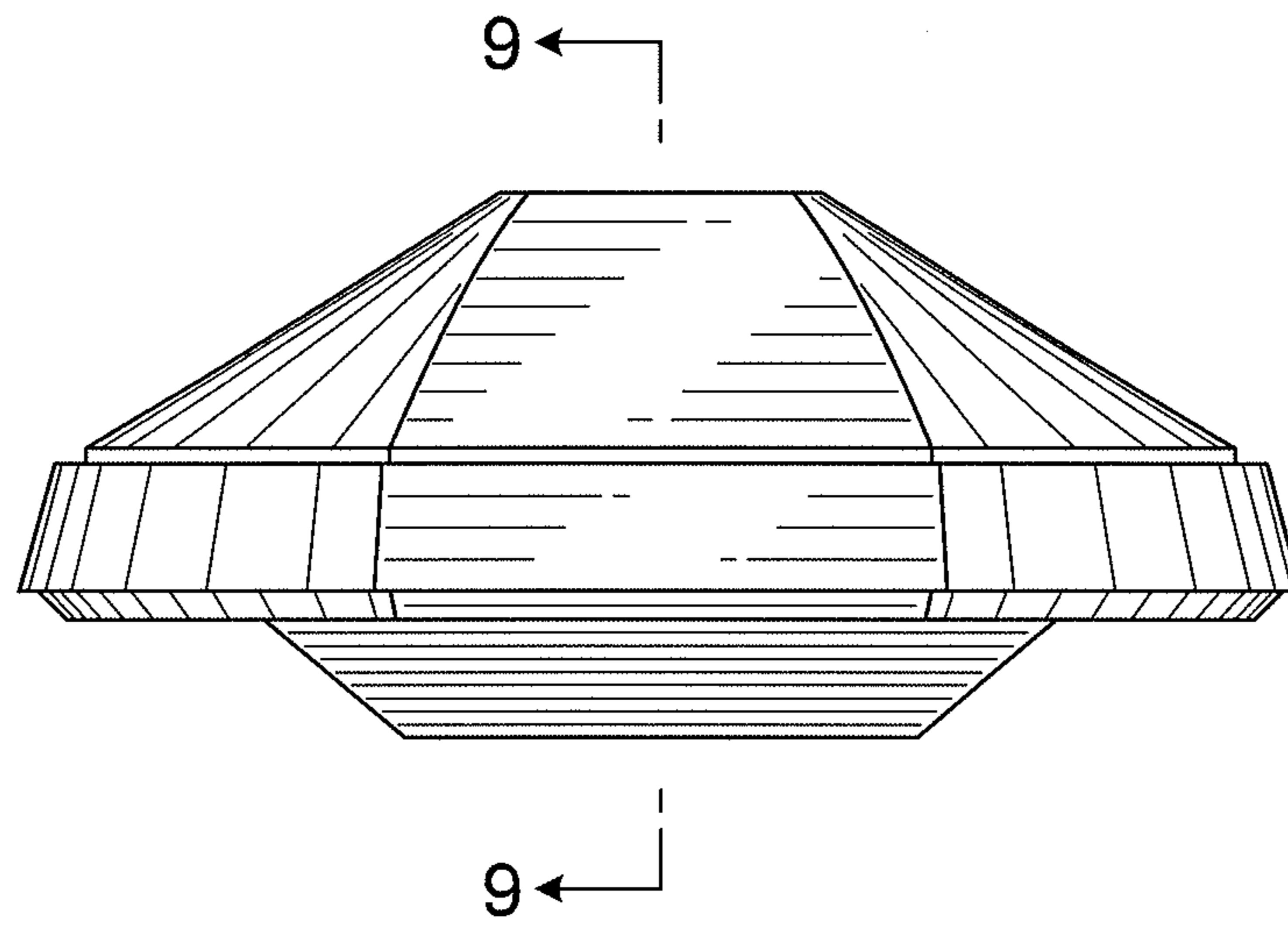


FIG. 4

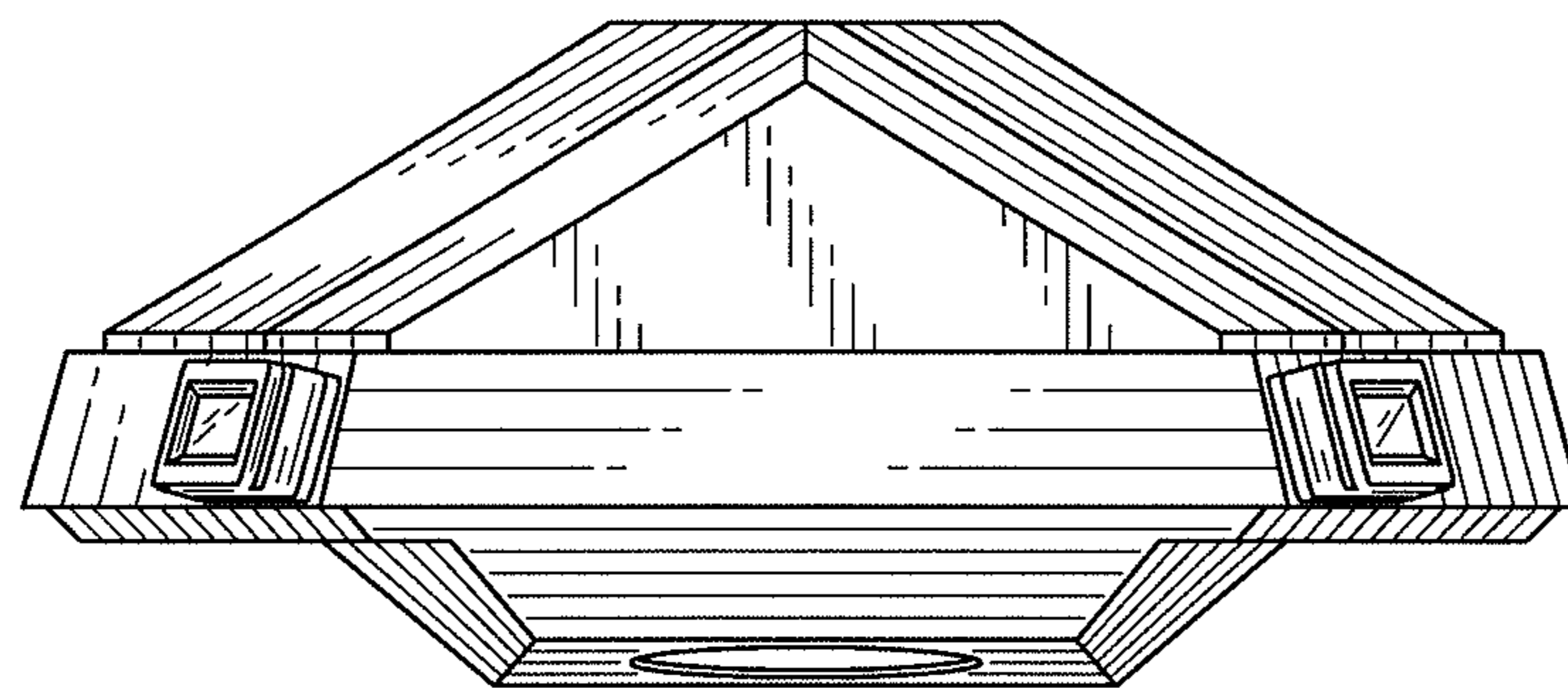


FIG. 5

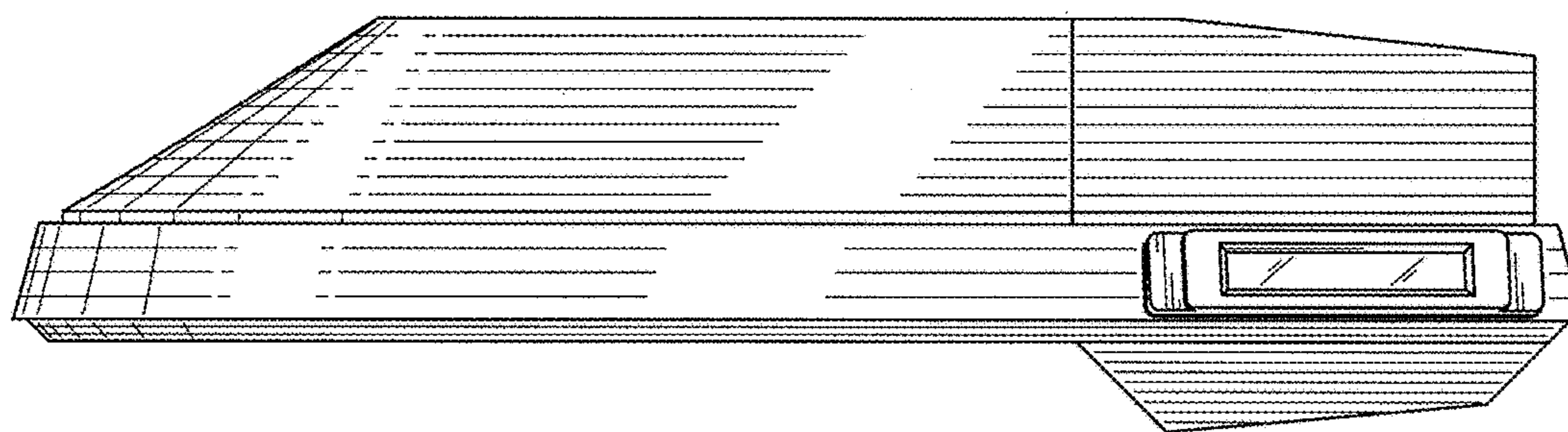


FIG. 6

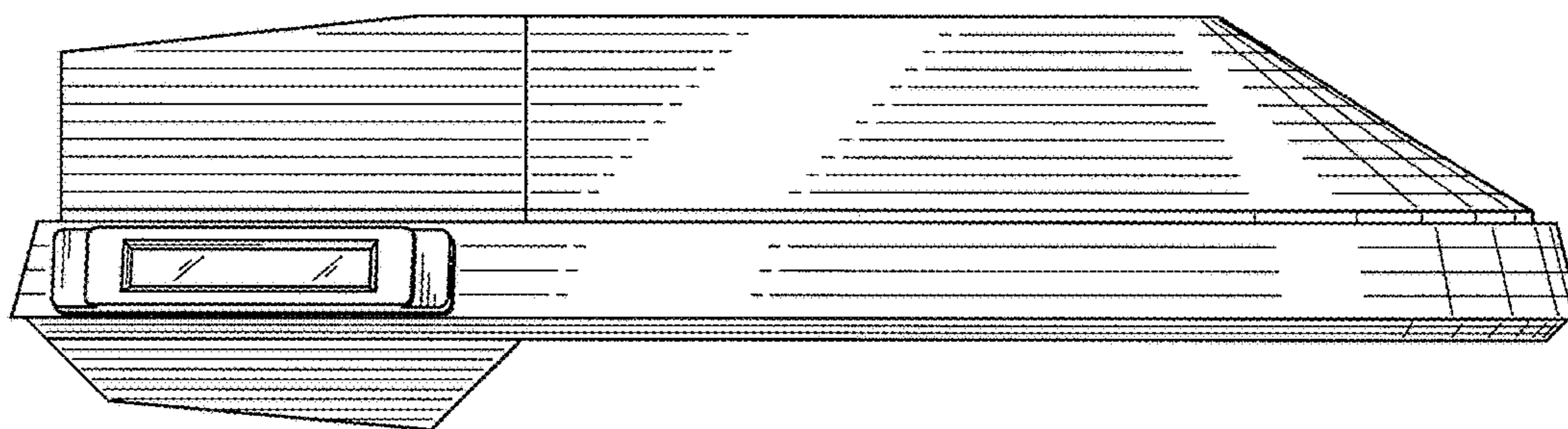


FIG. 7

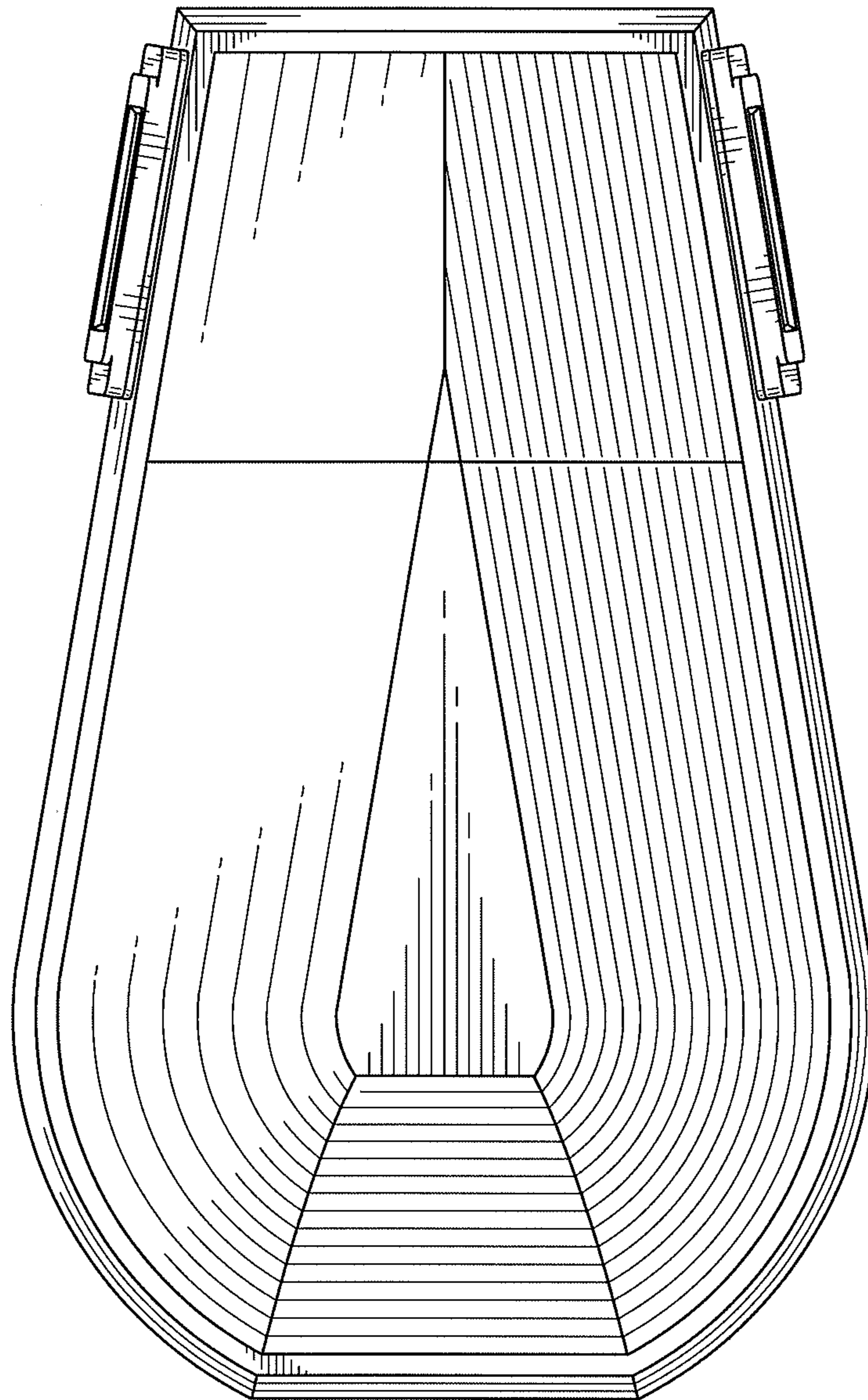


FIG. 8

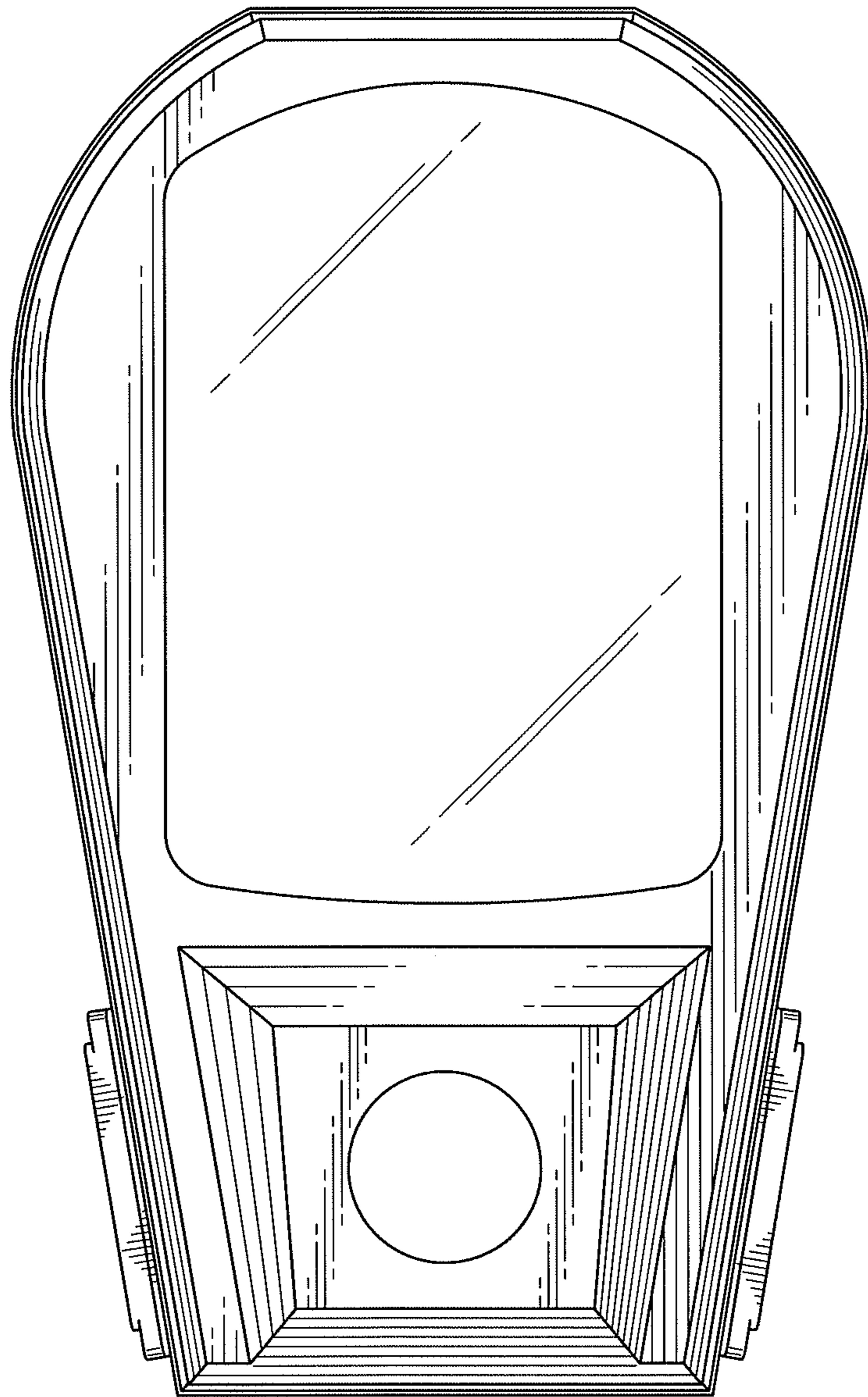


FIG. 9

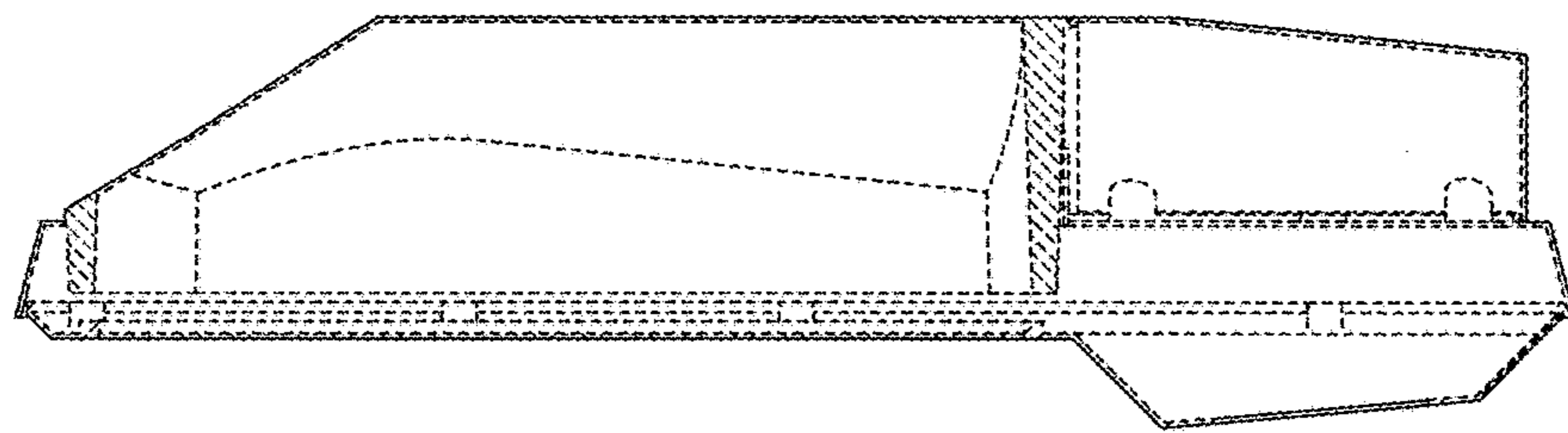


FIG. 10

