

US00D807551S

(12) **United States Design Patent**
Wiedemer

(10) **Patent No.:** **US D807,551 S**
(45) **Date of Patent:** **** Jan. 9, 2018**

(54) **LIGHTING FIXTURE**

(71) Applicant: **Hinkley Lighting, Inc.**, Avon Lake, OH (US)

(72) Inventor: **Rick Wiedemer**, Rocky River, OH (US)

(73) Assignee: **HINKLEY LIGHTING, INC.**, Avon Lake, OH (US)

(**) Term: **15 Years**

(21) Appl. No.: **29/551,491**

(22) Filed: **Jan. 13, 2016**

(51) **LOC (11) Cl.** **26-05**

(52) **U.S. Cl.**
USPC **D26/67; D26/85**

(58) **Field of Classification Search**
USPC **D26/67, 68, 72, 85, 87, 118, 128**
(Continued)

(56) **References Cited**

U.S. PATENT DOCUMENTS

D31,745 S * 10/1899 Shaw et al. D26/67
D189,984 S * 3/1961 Slaton D26/67
(Continued)

OTHER PUBLICATIONS

Hampton lantern by JVL on amazon.co.uk, available as early as Dec. 26, 2013. (2 pages).
(Continued)

Primary Examiner — Clare E Heflin

(74) *Attorney, Agent, or Firm* — Pearne & Gordon LLP

(57) **CLAIM**

The ornamental design for a lighting fixture, as shown and described.

DESCRIPTION

FIG. 1 is a top perspective view of a lighting fixture showing a first embodiment of the new design;

FIG. 2 is a bottom perspective view thereof;
FIG. 3 is a rear elevation view thereof;
FIG. 4 is a left side elevation view thereof;
FIG. 5 is a front elevation view thereof;
FIG. 6 is a right side elevation view thereof;
FIG. 7 is a top plan view thereof; and
FIG. 8 is a bottom plan view thereof.
FIG. 9 is a top perspective view of a lighting fixture showing a second embodiment of the new design;
FIG. 10 is a bottom perspective view thereof;
FIG. 11 is a rear elevation view thereof;
FIG. 12 is a left side elevation view thereof;
FIG. 13 is a front elevation view thereof;
FIG. 14 is a right side elevation view thereof;
FIG. 15 is a top plan view thereof; and
FIG. 16 is a bottom plan view thereof.
FIG. 17 is a top perspective view of a lighting fixture showing a third embodiment of the new design;
FIG. 18 is a bottom perspective view thereof;
FIG. 19 is a rear elevation view thereof;
FIG. 20 is a left side elevation view thereof;
FIG. 21 is a front elevation view thereof;
FIG. 22 is a right side elevation view thereof;
FIG. 23 is a top plan view thereof; and
FIG. 24 is a bottom plan view thereof.
FIG. 25 is a top perspective view of a lighting fixture showing a fourth embodiment of the new design;
FIG. 26 is a bottom perspective view thereof;
FIG. 27 is a rear elevation view thereof;
FIG. 28 is a left side elevation view thereof;
FIG. 29 is a front elevation view thereof;
FIG. 30 is a right side elevation view thereof;
FIG. 31 is a top plan view thereof; and
FIG. 32 is a bottom plan view thereof.
FIG. 33 is a top perspective view of a lighting fixture showing a fifth embodiment of the new design;
FIG. 34 is a bottom perspective view thereof;
FIG. 35 is a rear elevation view thereof;
FIG. 36 is a left side elevation view thereof;
FIG. 37 is a front elevation view thereof;
FIG. 38 is a right side elevation view thereof;
FIG. 39 is a top plan view thereof; and
FIG. 40 is a bottom plan view thereof.

(Continued)

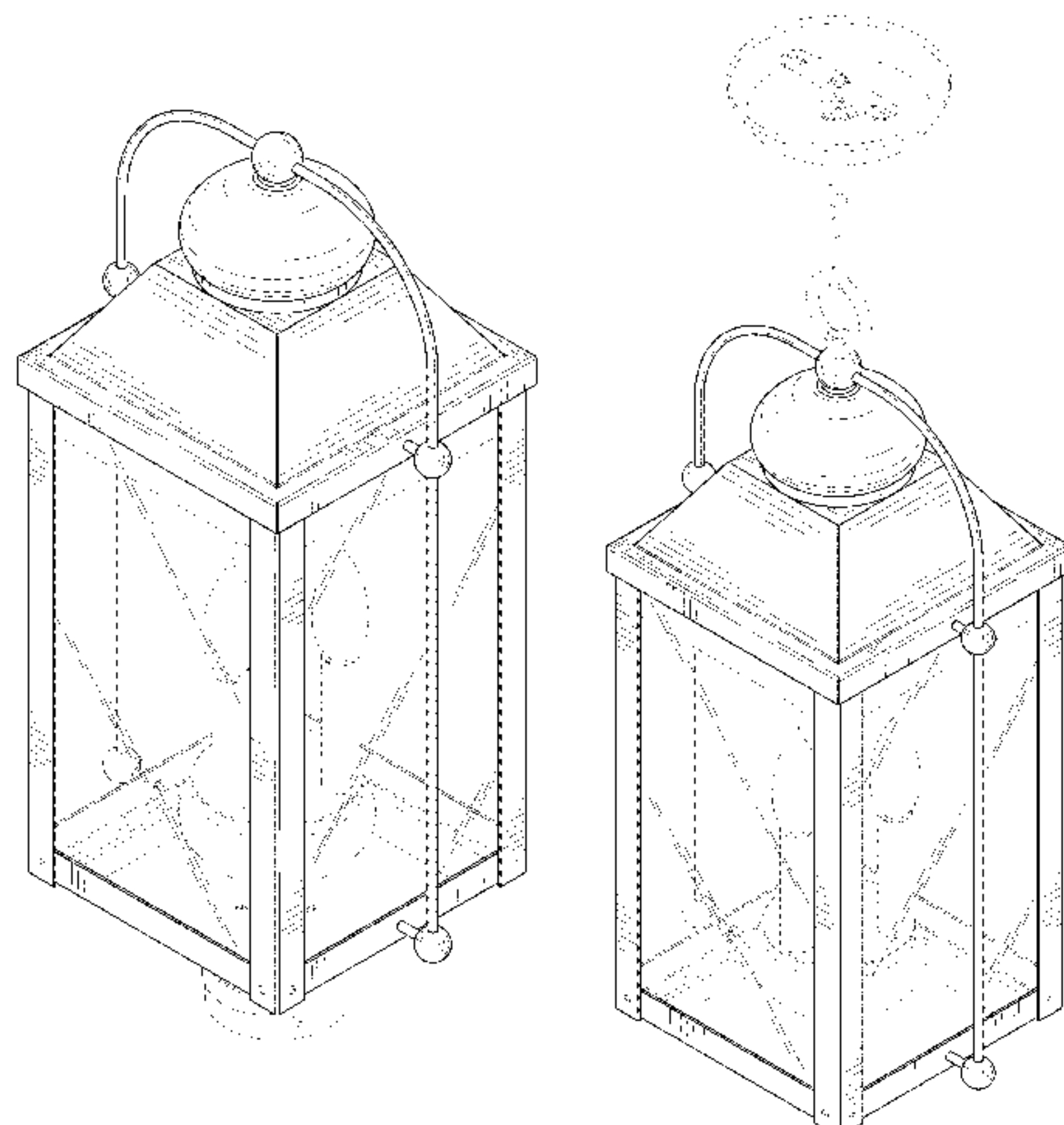


FIG. 41 is a top perspective view of a lighting fixture (56) showing a sixth embodiment of the new design;
FIG. 42 is a bottom perspective view thereof;
FIG. 43 is a rear elevation view thereof;
FIG. 44 is a left side elevation view thereof;
FIG. 45 is a front elevation view thereof;
FIG. 46 is a right side elevation view thereof;
FIG. 47 is a top plan view thereof; and,
FIG. 48 is a bottom plan view thereof.
Broken lines appearing in the figures constitute portions of the lighting fixture that form no part of the claimed design.

1 Claim, 42 Drawing Sheets

(58) **Field of Classification Search**
CPC F21S 8/04; F21S 8/043; F21S 8/046; F21S
8/06; F21S 8/063; F21S 8/065
See application file for complete search history.

References Cited

U.S. PATENT DOCUMENTS

D429,018	S	*	8/2000	De'Armond	D26/72
D438,323	S	*	2/2001	Xu	D26/72
D478,184	S	*	8/2003	DiPasquale	D26/67
D505,216	S	*	5/2005	Chen	D26/67
D574,534	S	*	8/2008	Lastimoso	D26/67
D578,693	S	*	10/2008	Liu	D26/67
D599,936	S	*	9/2009	Wang	D26/67
D625,874	S	*	10/2010	Sanoner	D26/67

OTHER PUBLICATIONS

Milan tealight lantern on amazon.co.uk by Gardman. Date first available Jan. 29, 2015. (2 pages).*

Tall Chrome Glass Lantern sold by Sue Rider Charity Shop on amazon.co.uk. Date first available Jan. 24, 2017. (3 pages).*

* cited by examiner

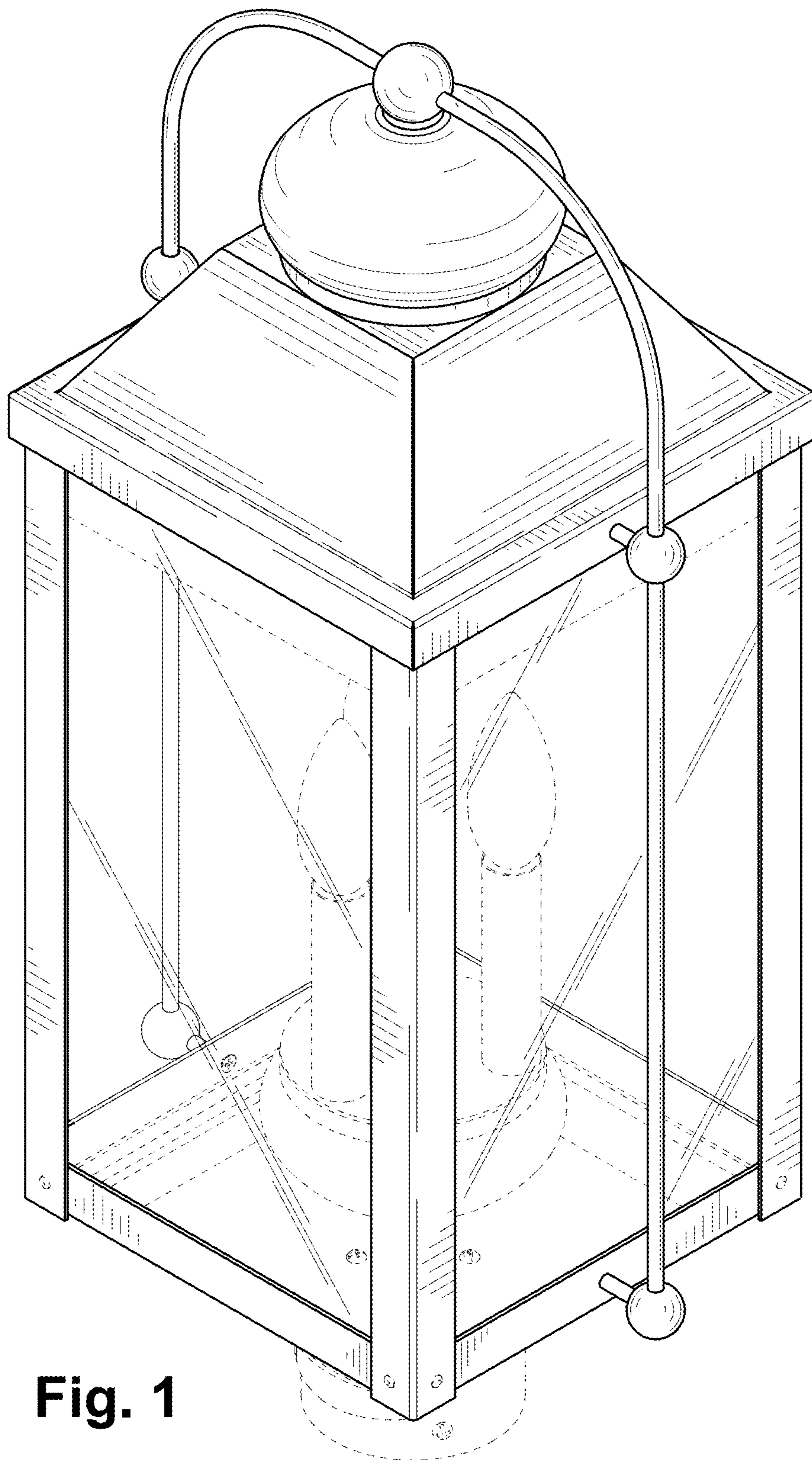


Fig. 1

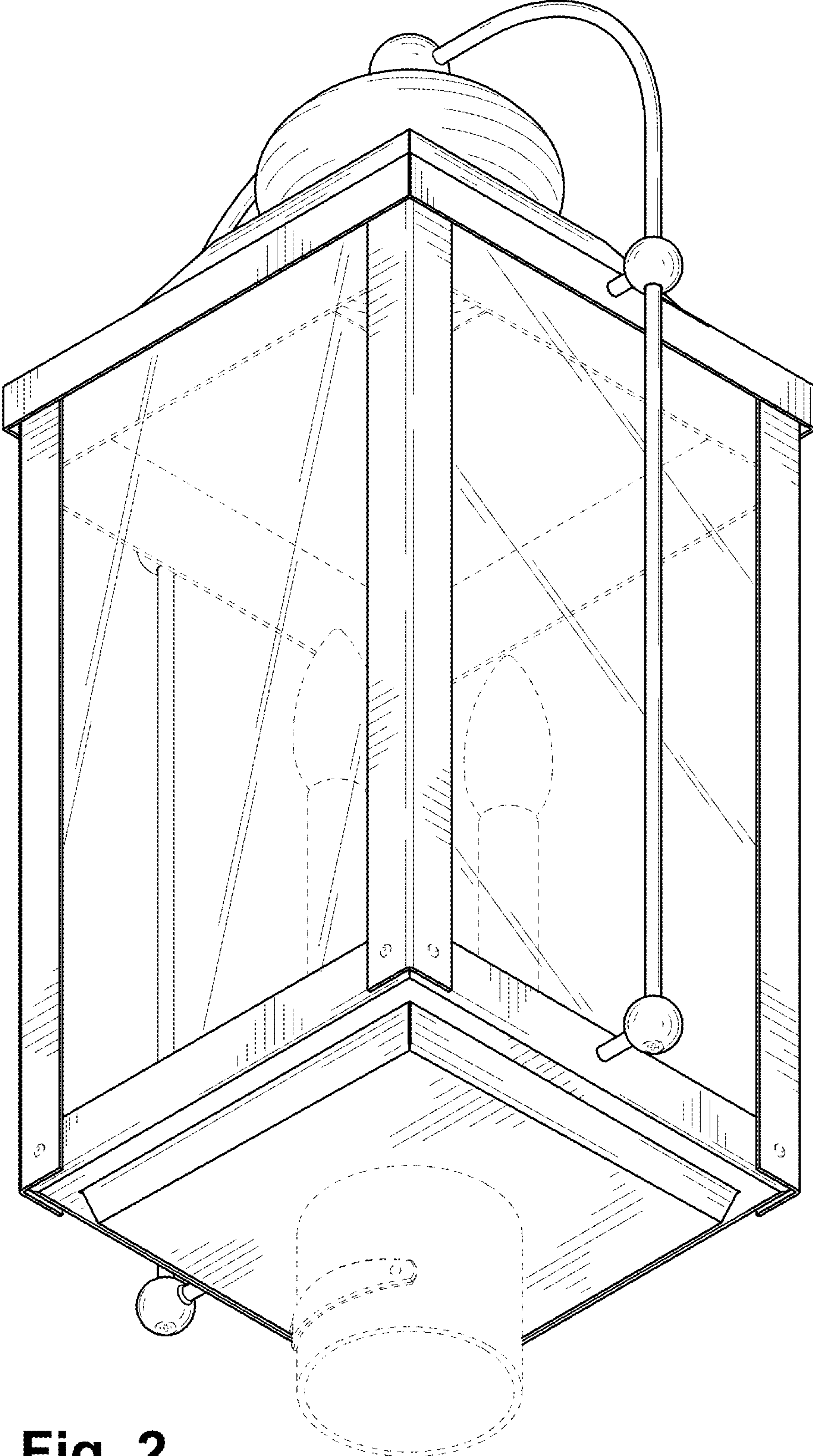


Fig. 2

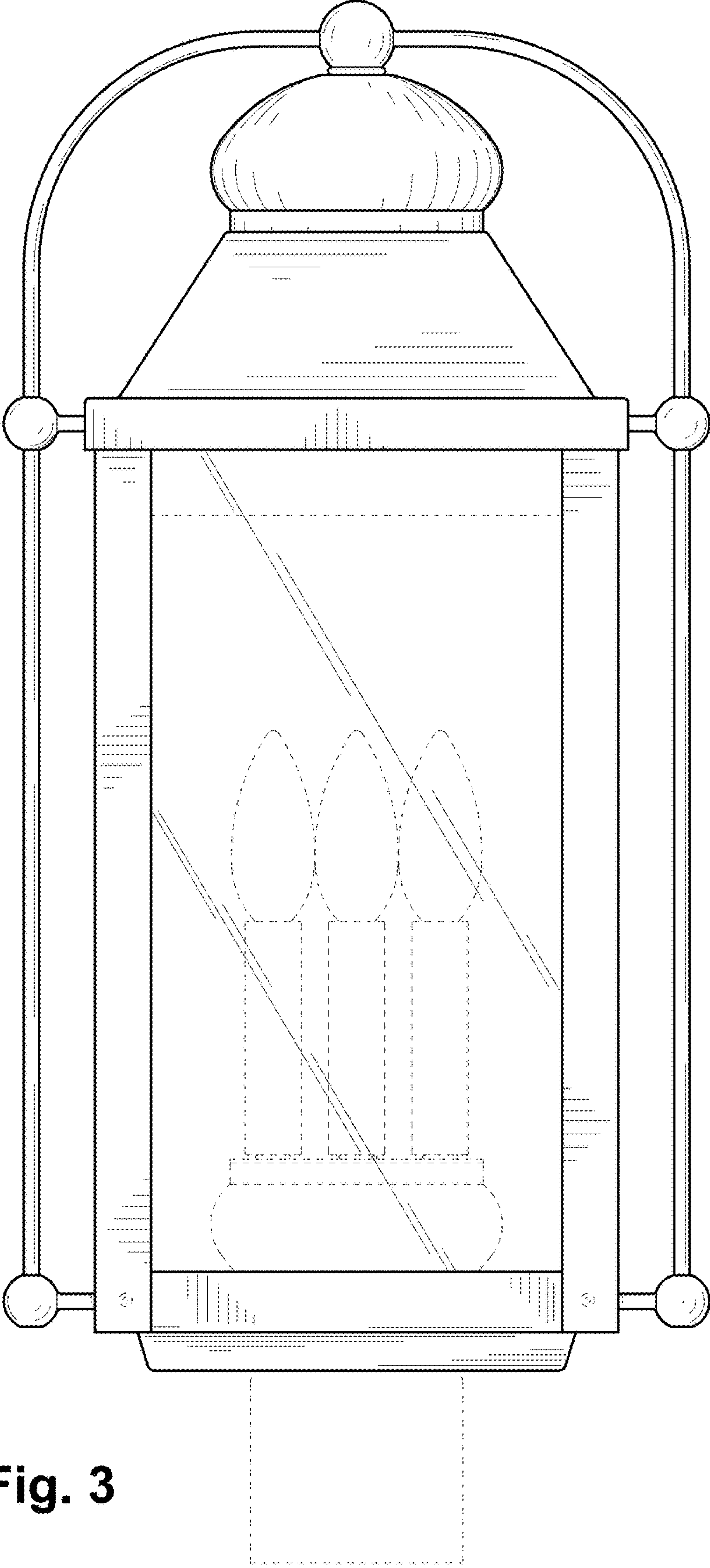


Fig. 3

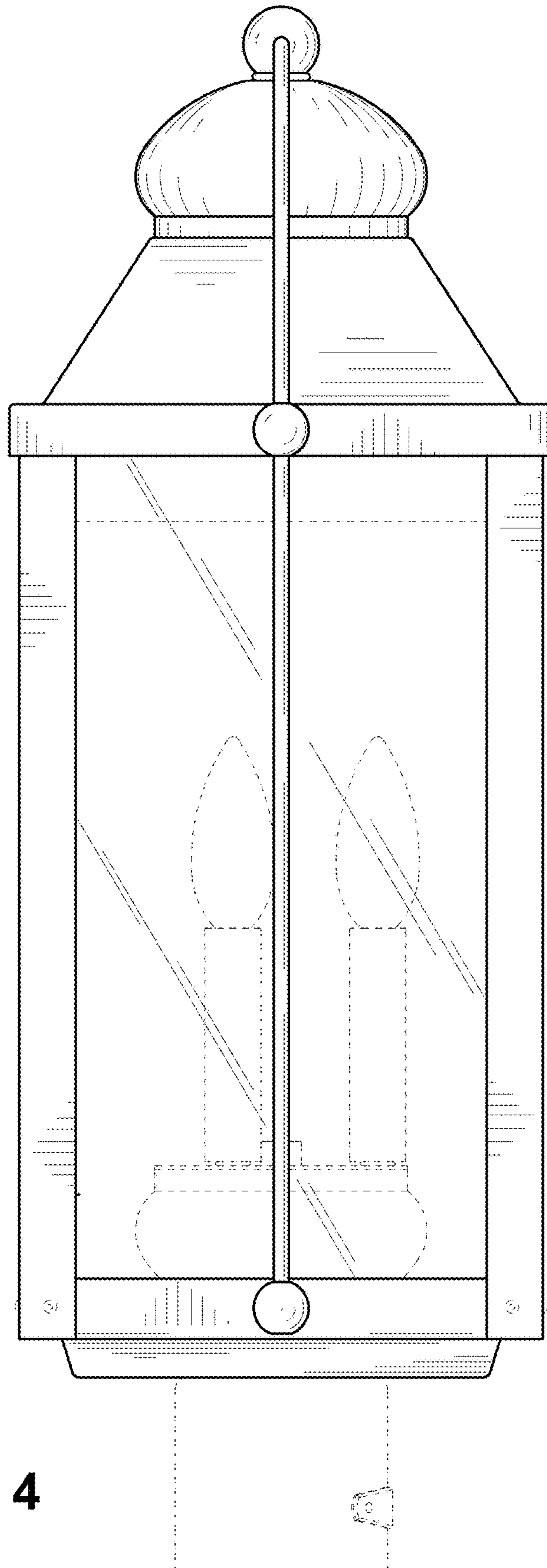


Fig. 4

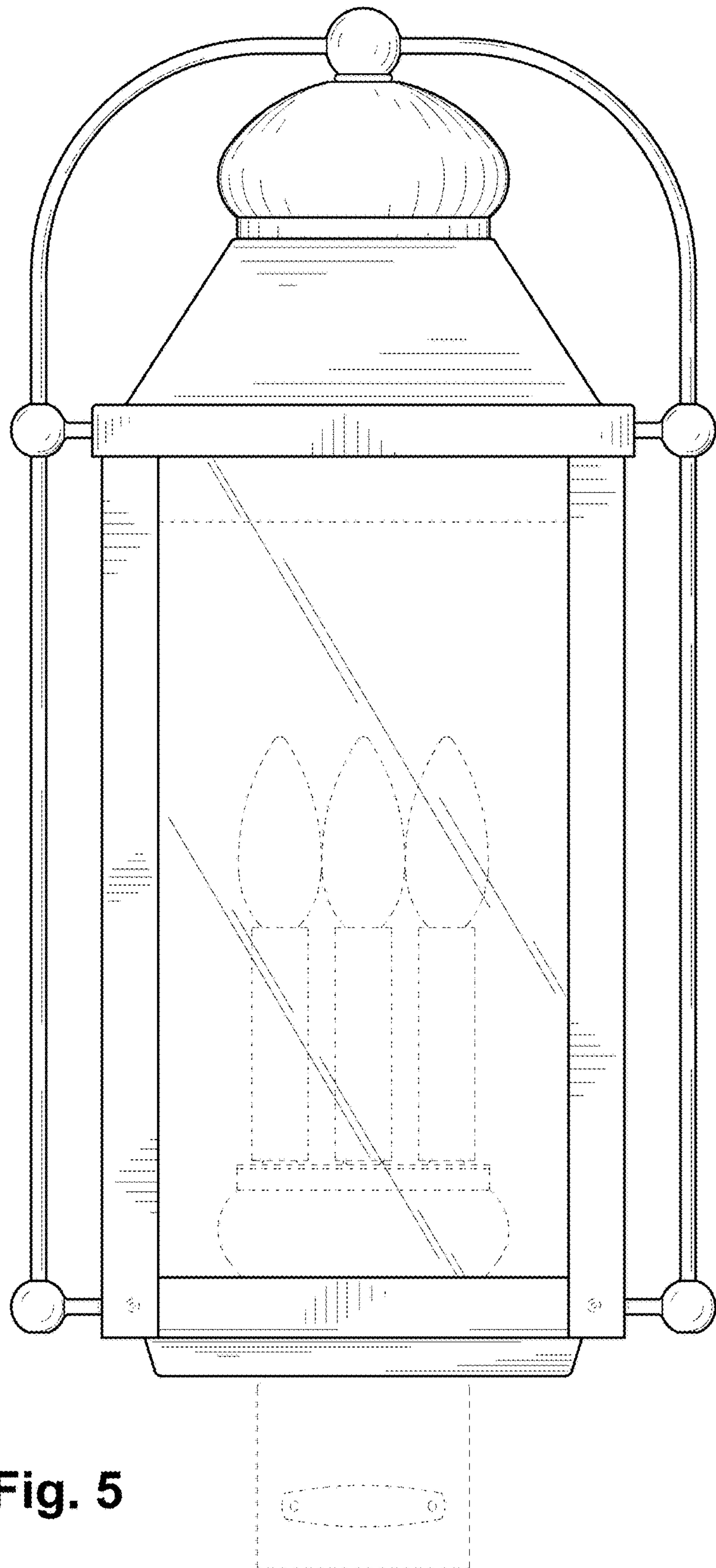


Fig. 5

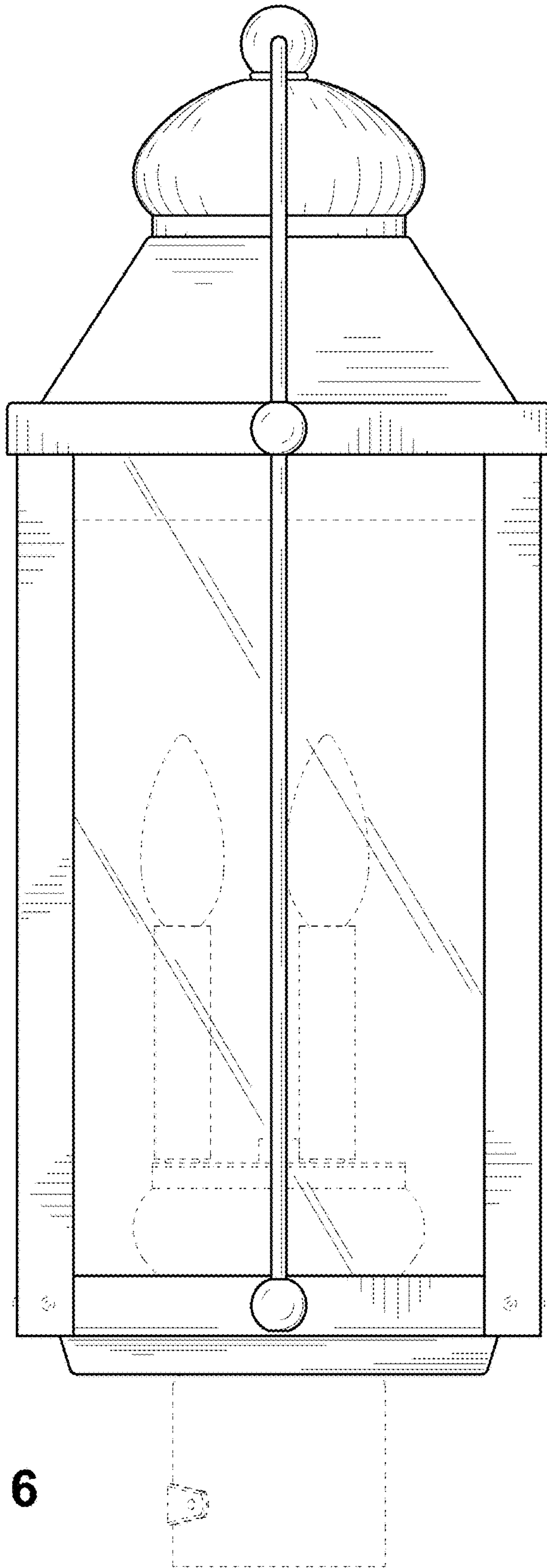


Fig. 6

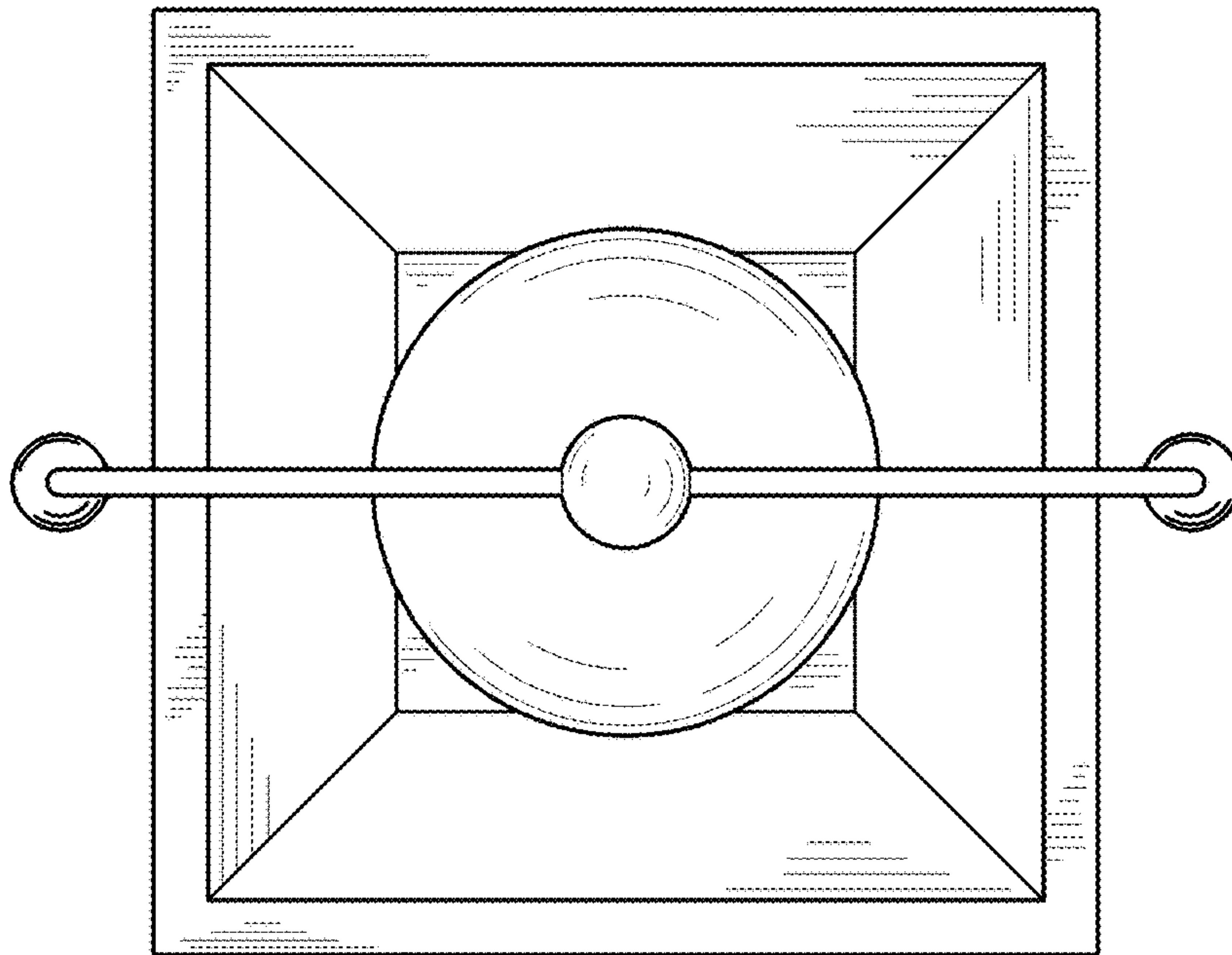


Fig. 7

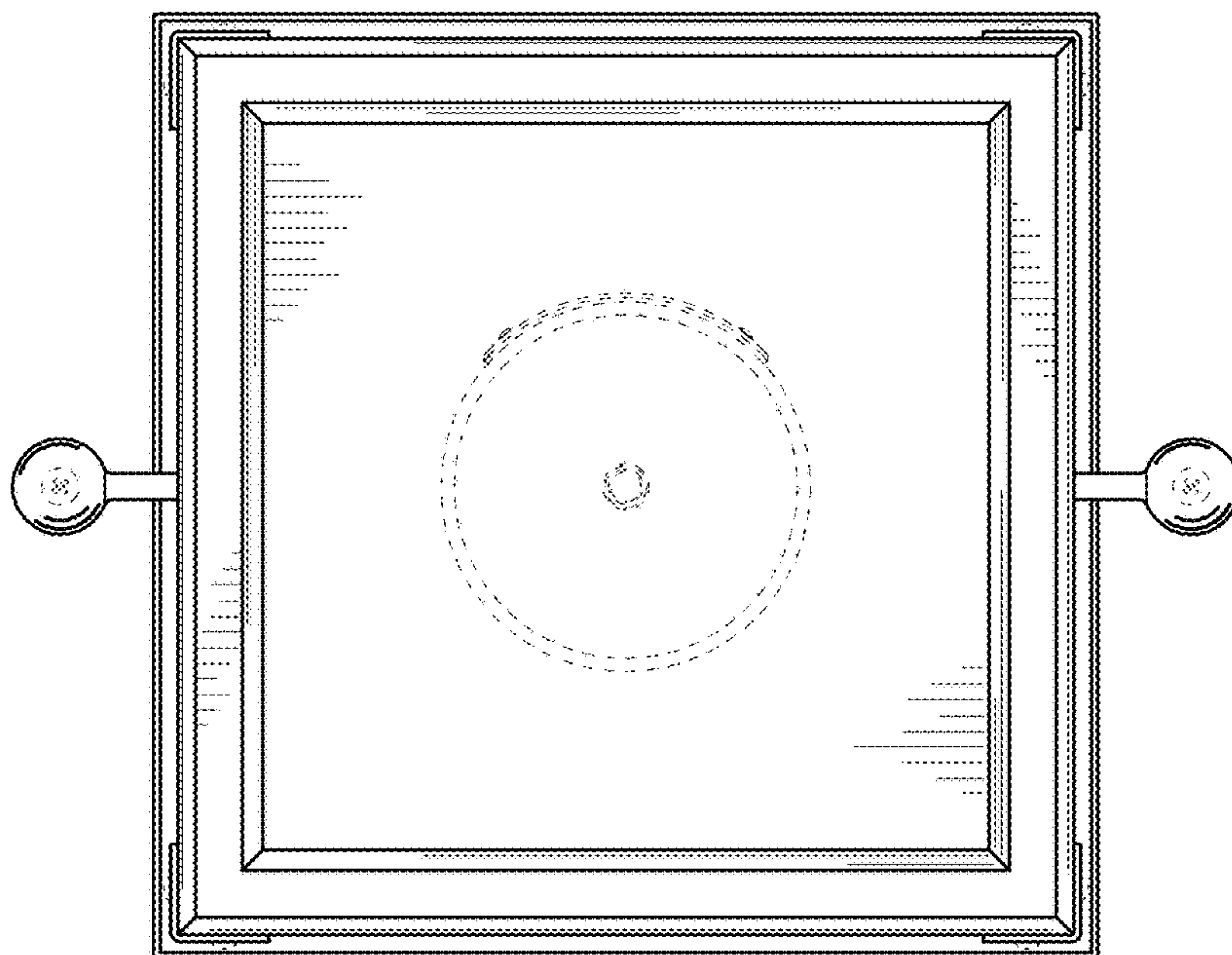


Fig. 8

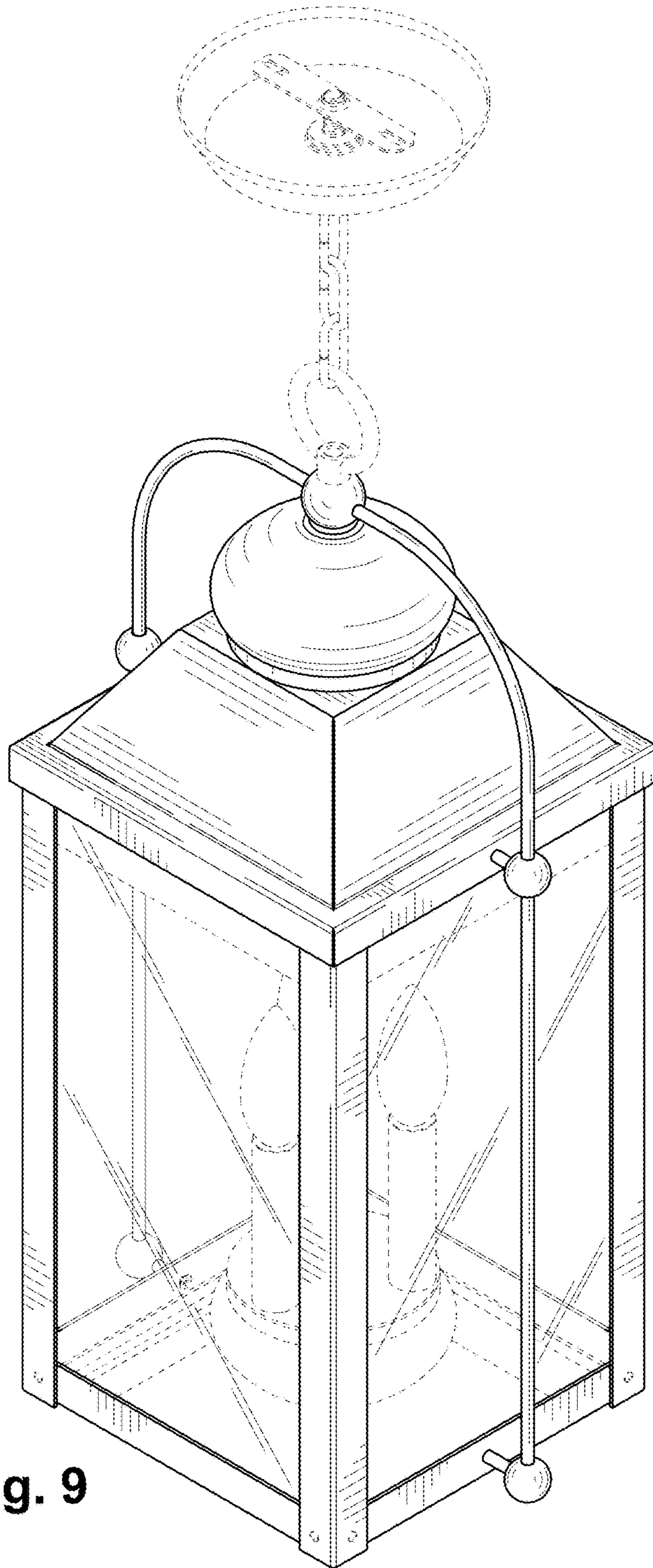


Fig. 9

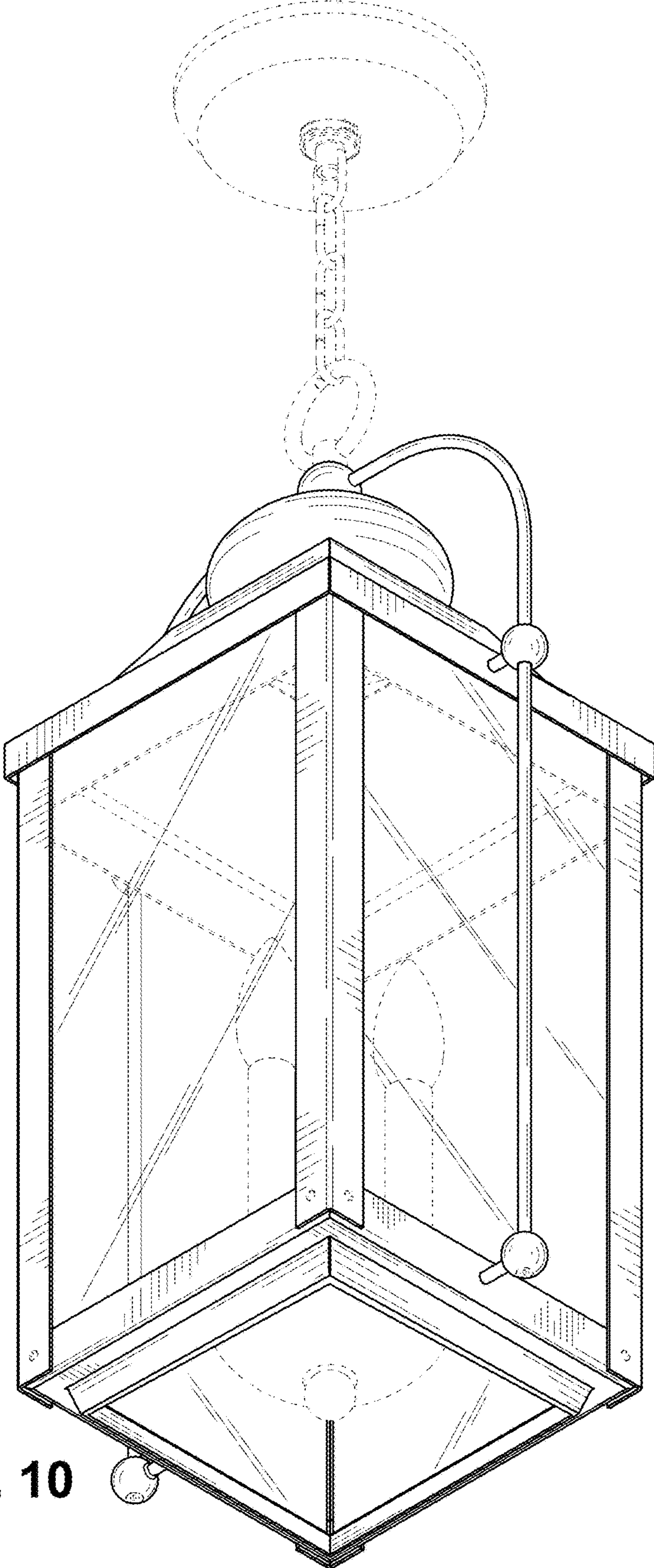


Fig. 10

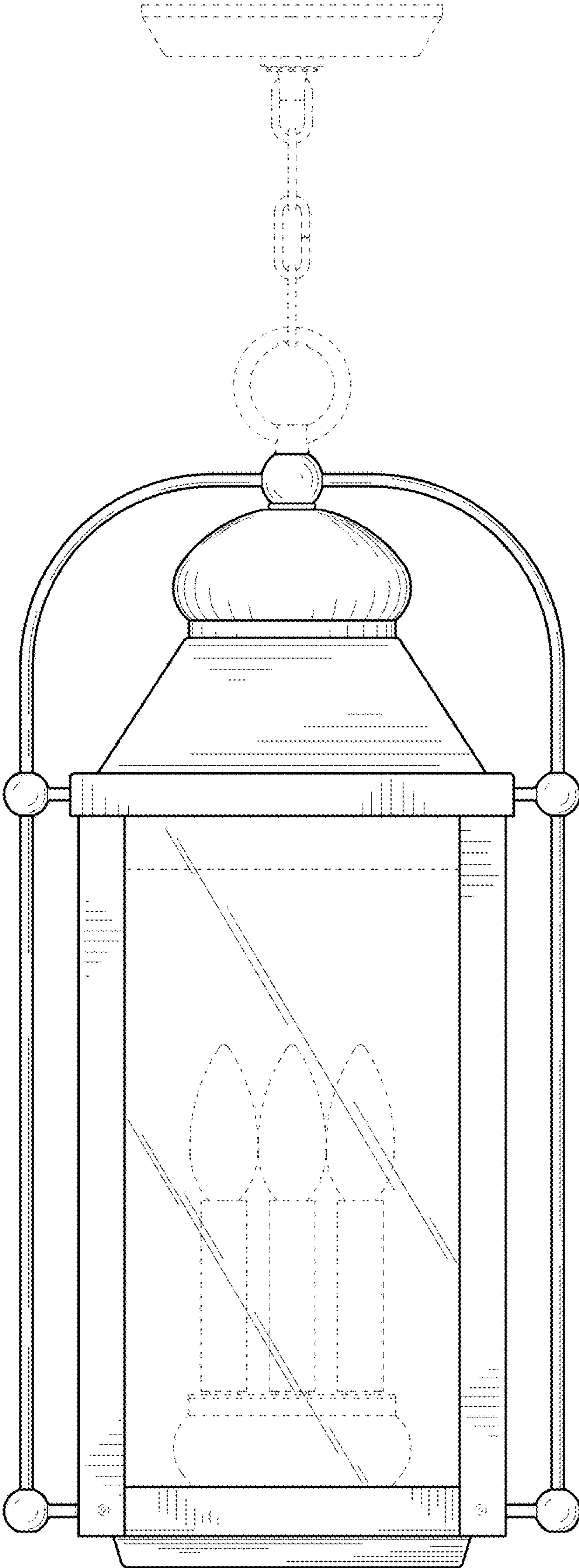


Fig. 11

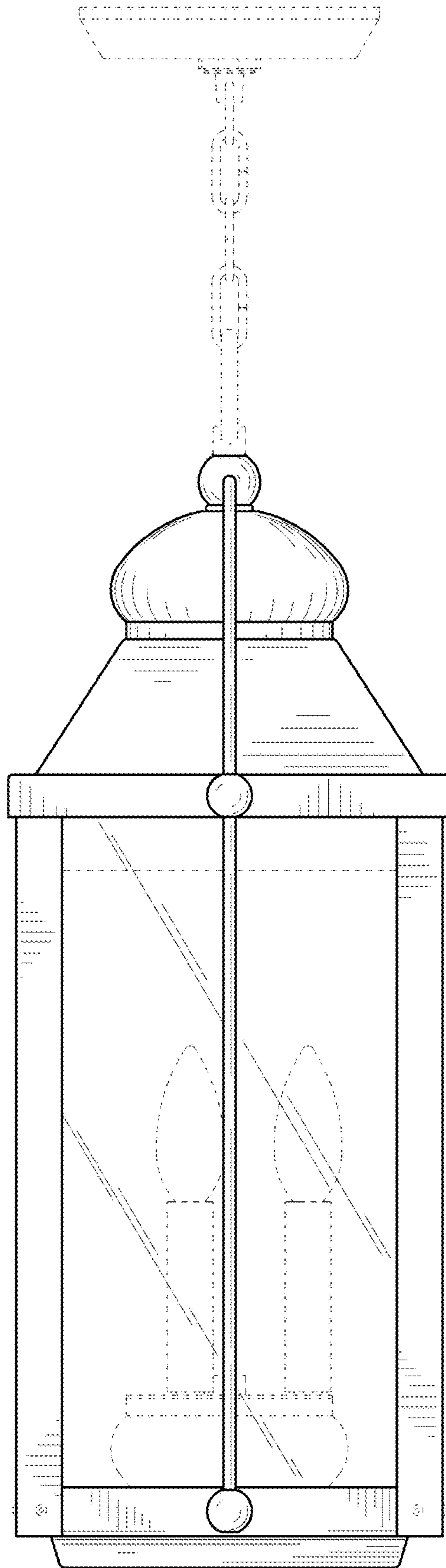


Fig. 12

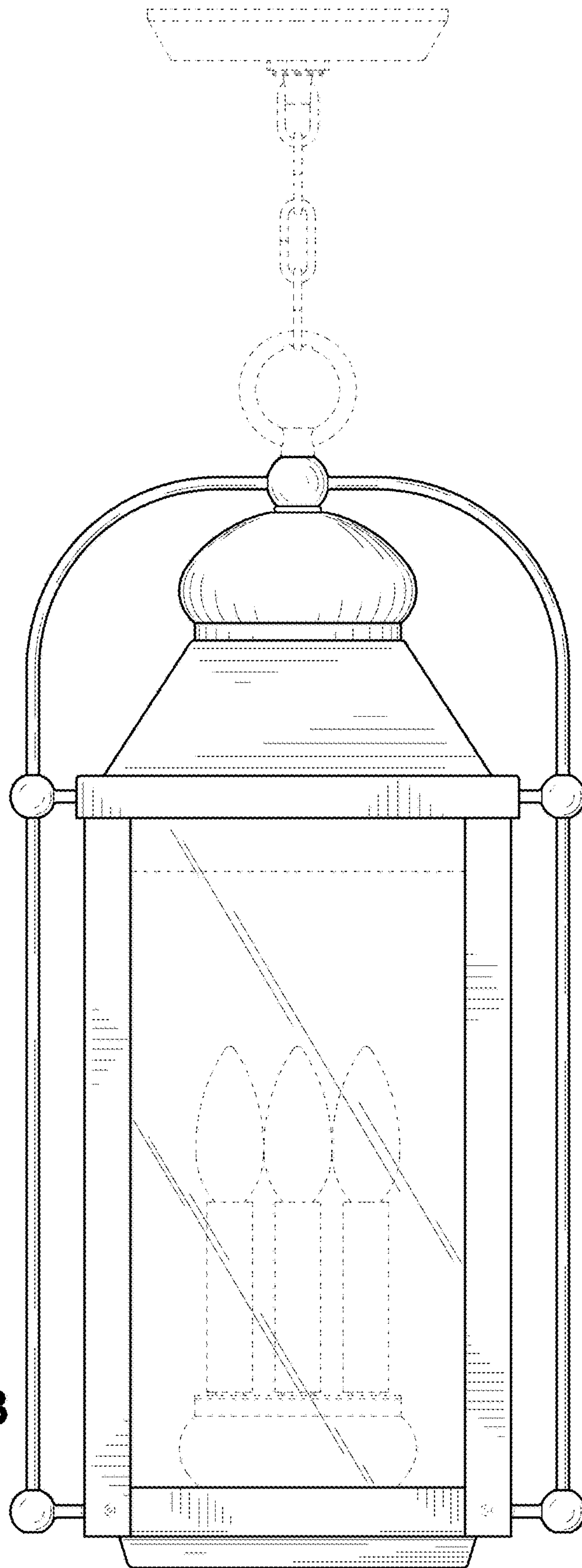


Fig. 13

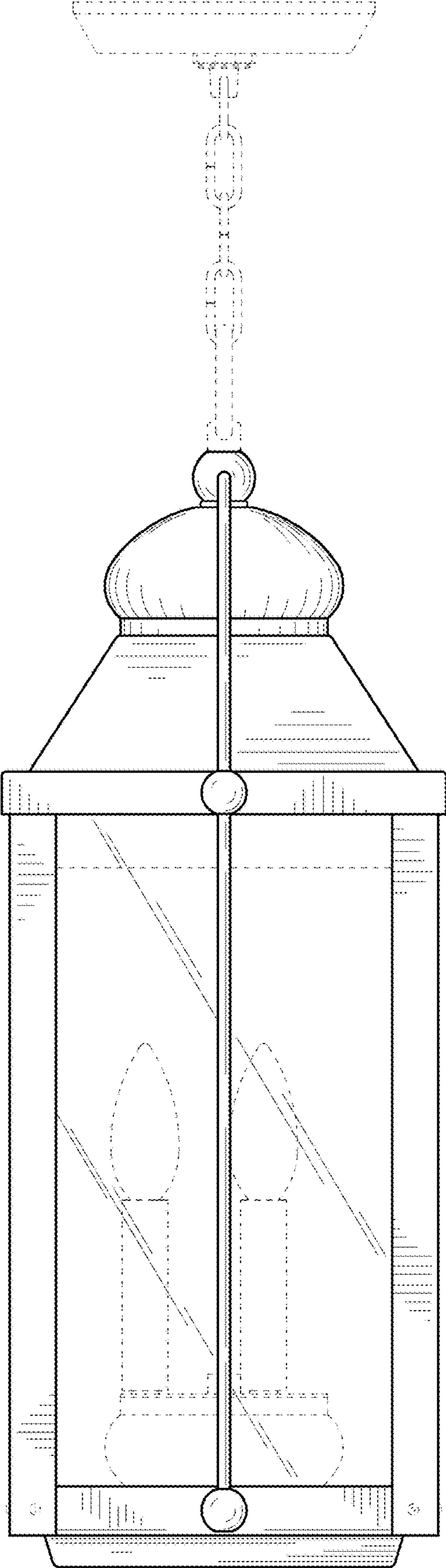


Fig. 14

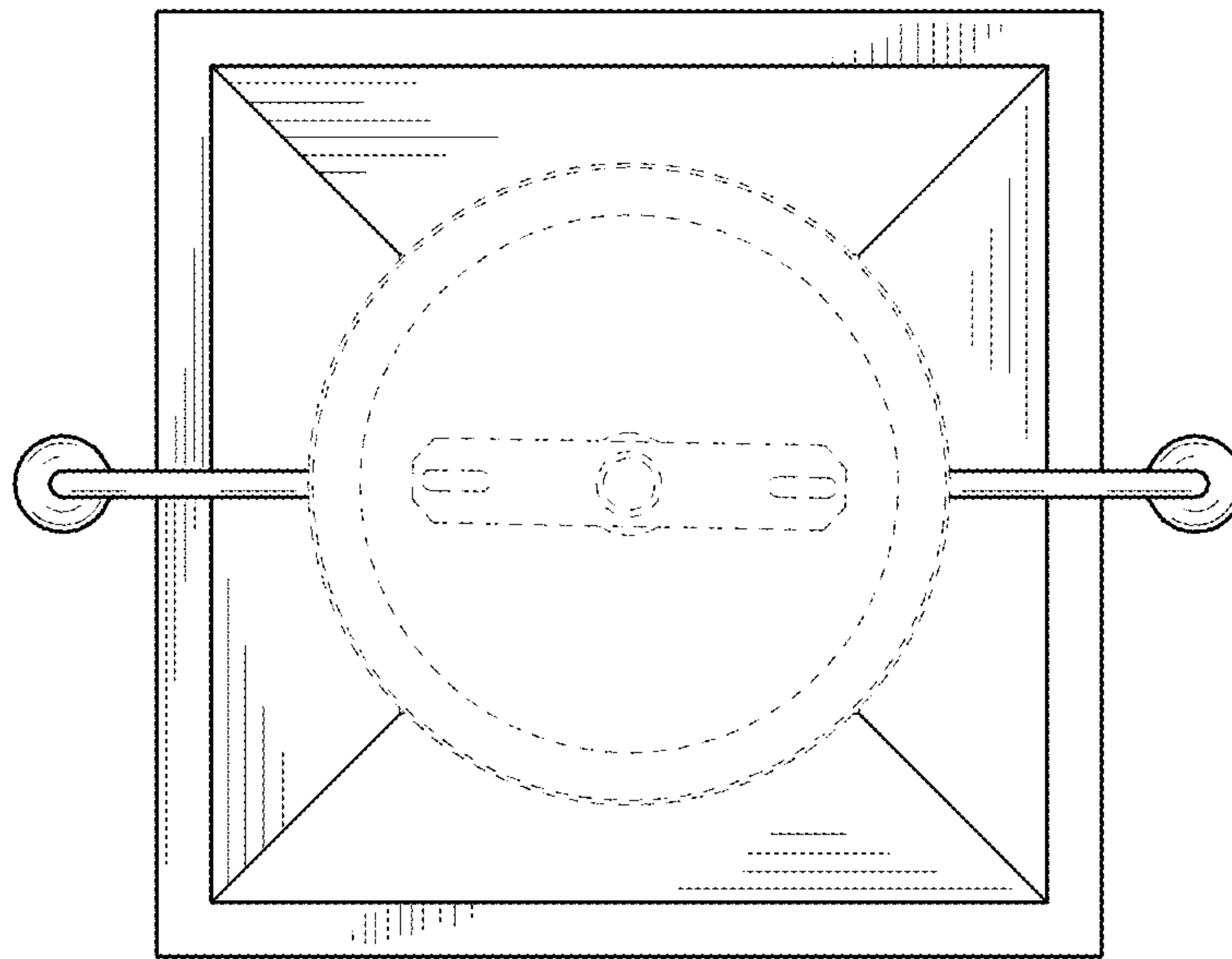


Fig. 15

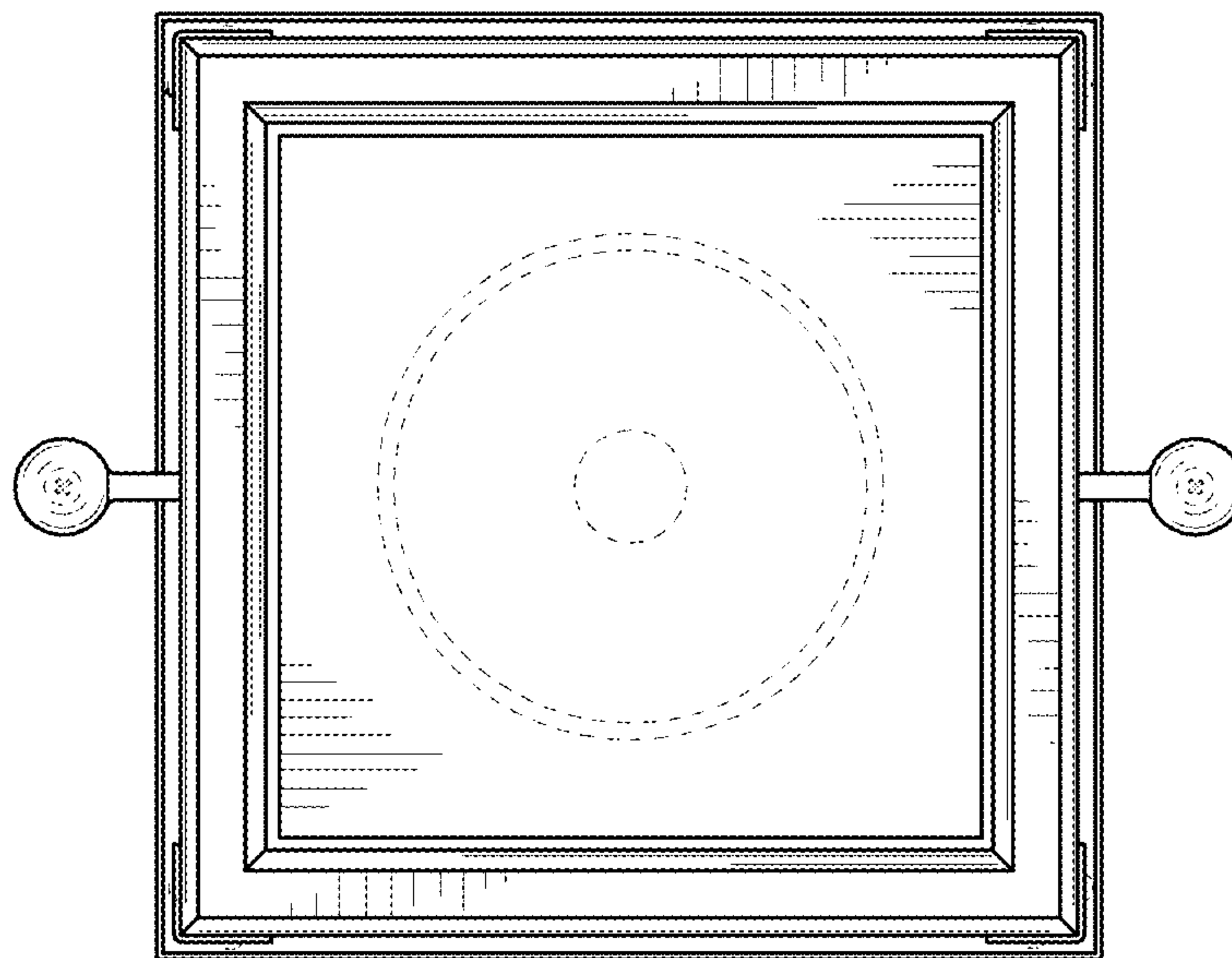


Fig. 16

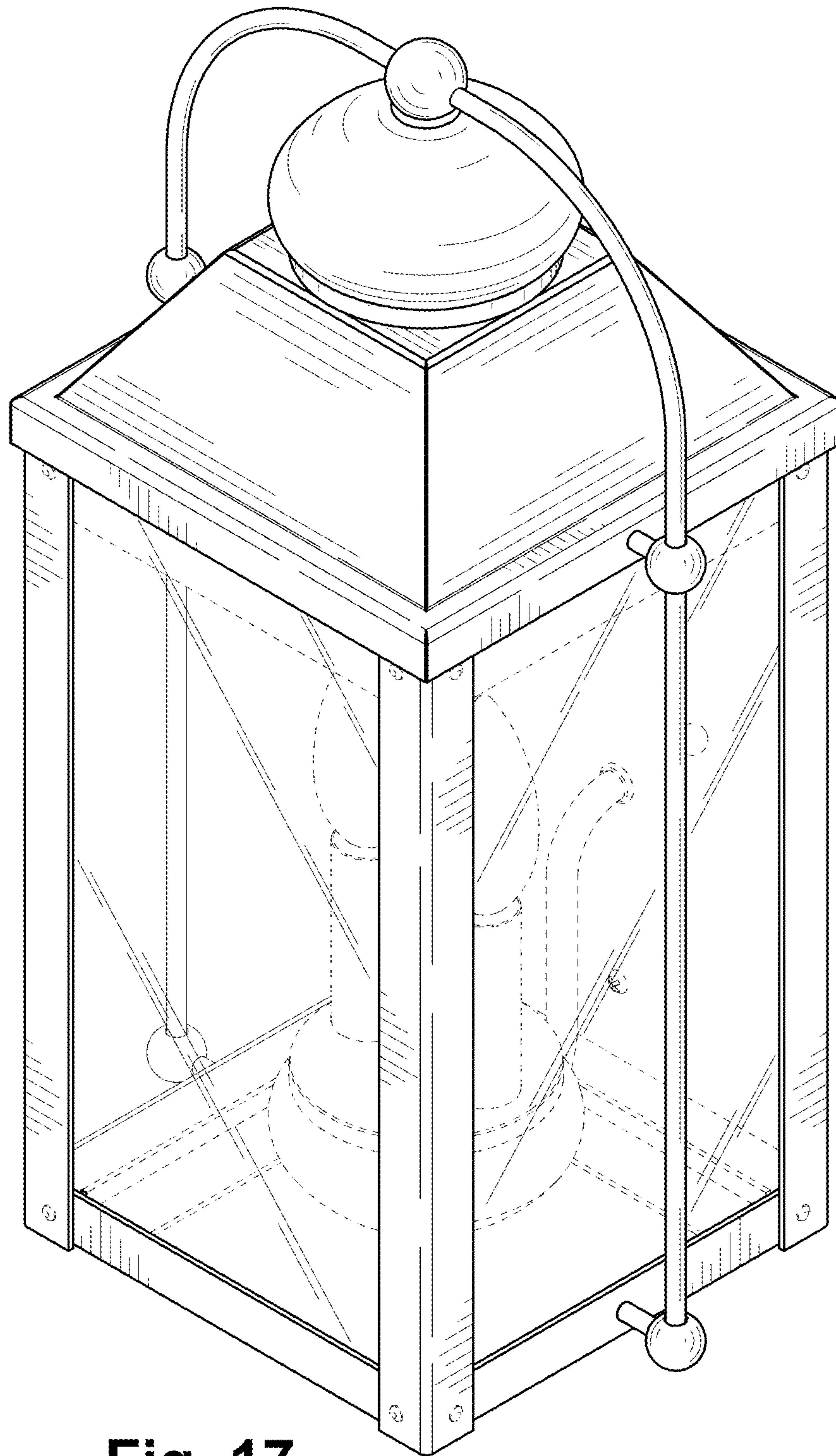


Fig. 17

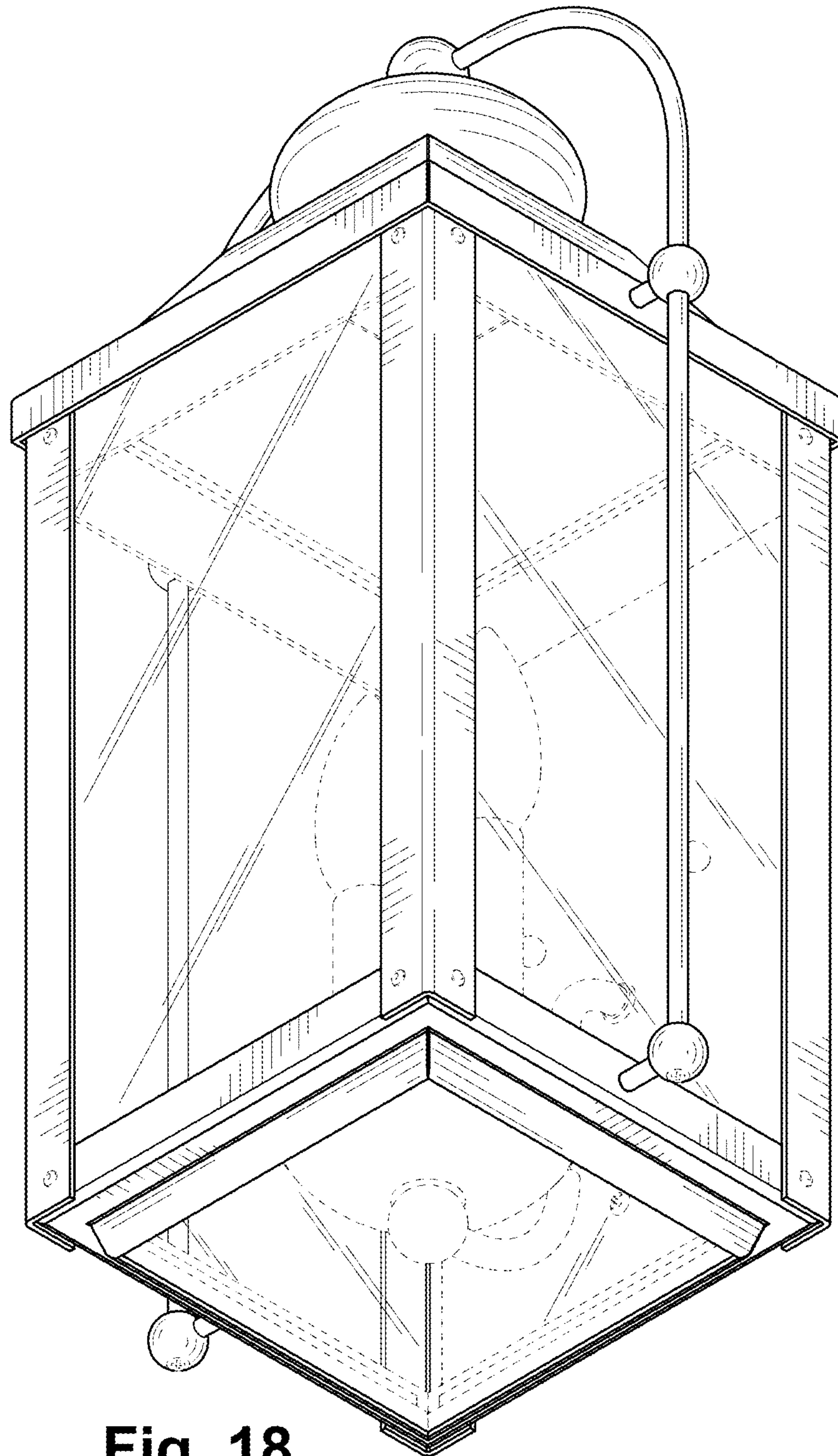


Fig. 18

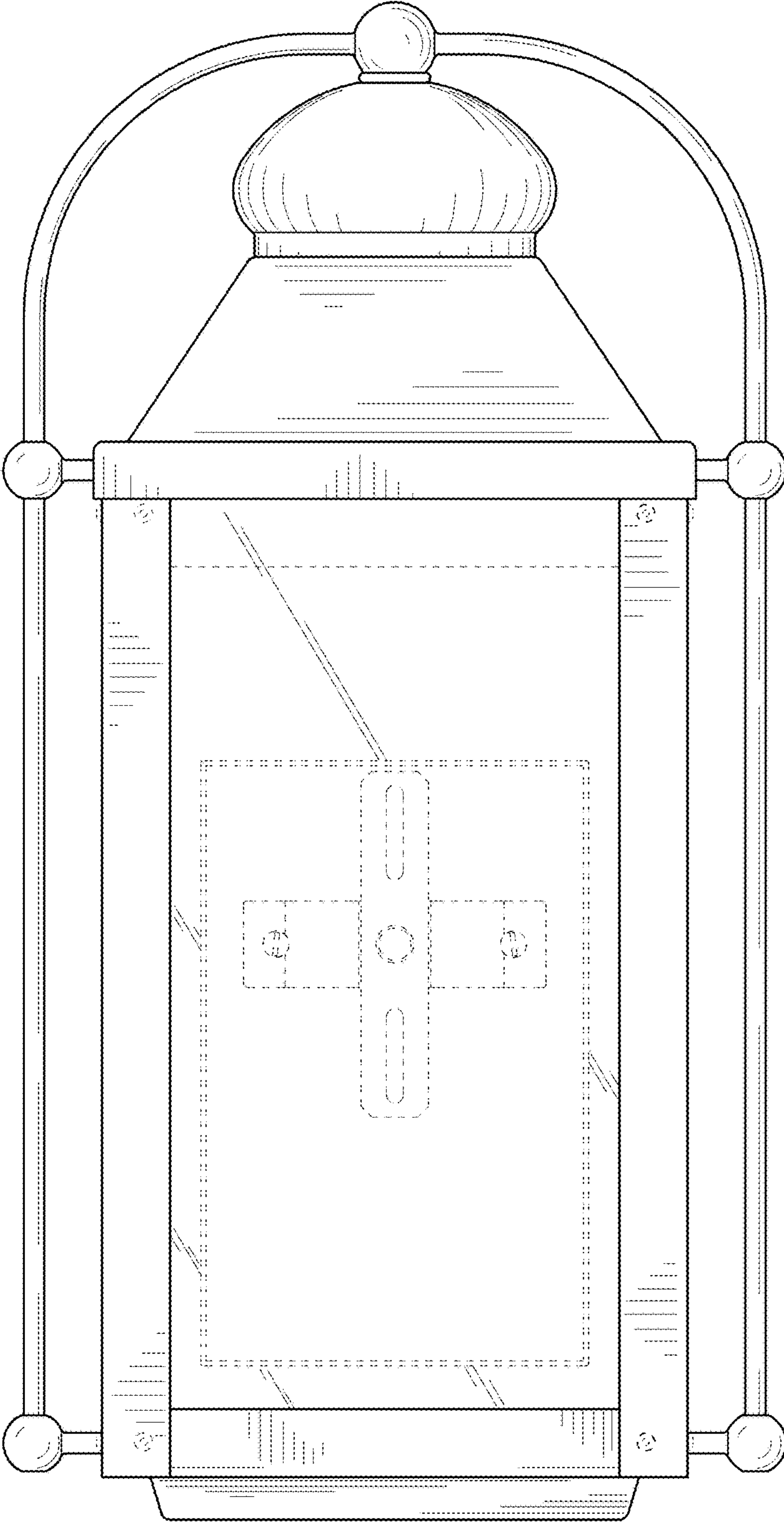


Fig. 19

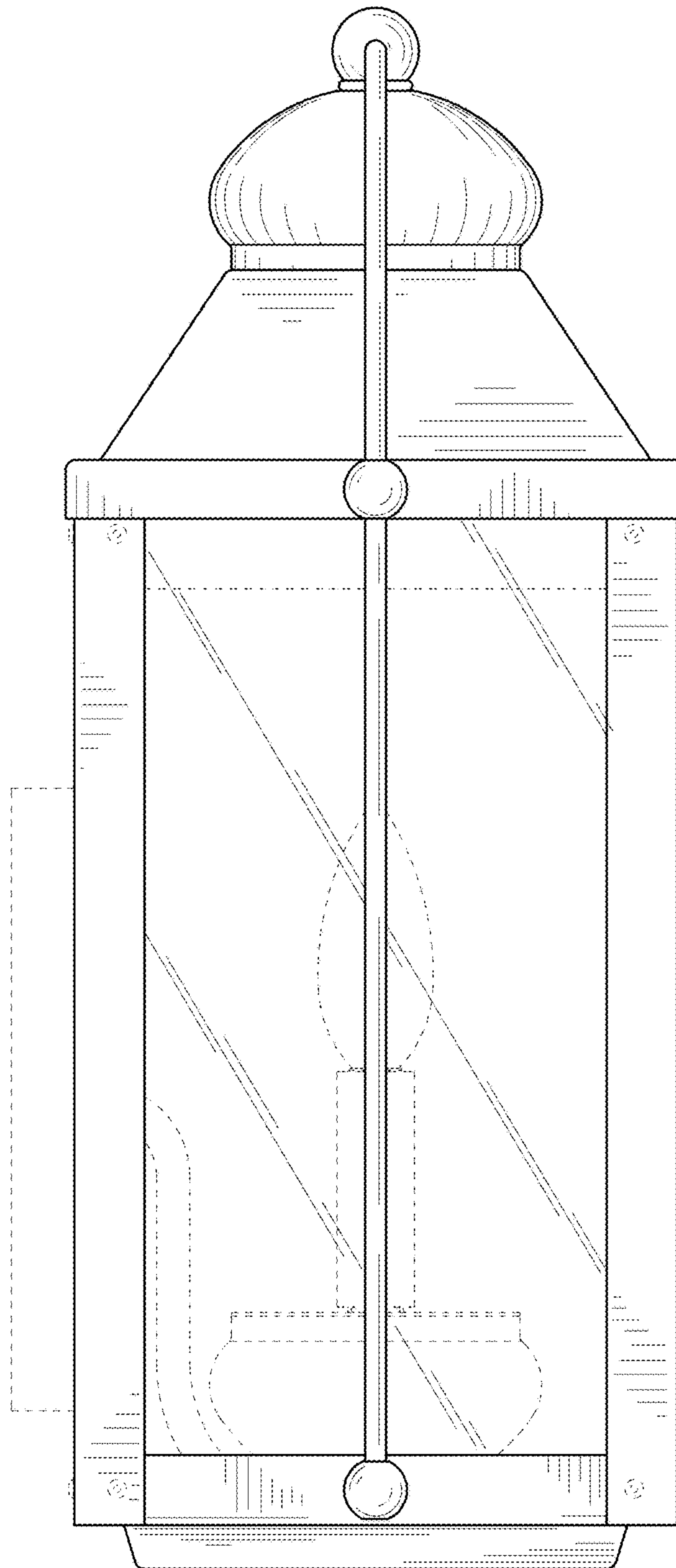


Fig. 20

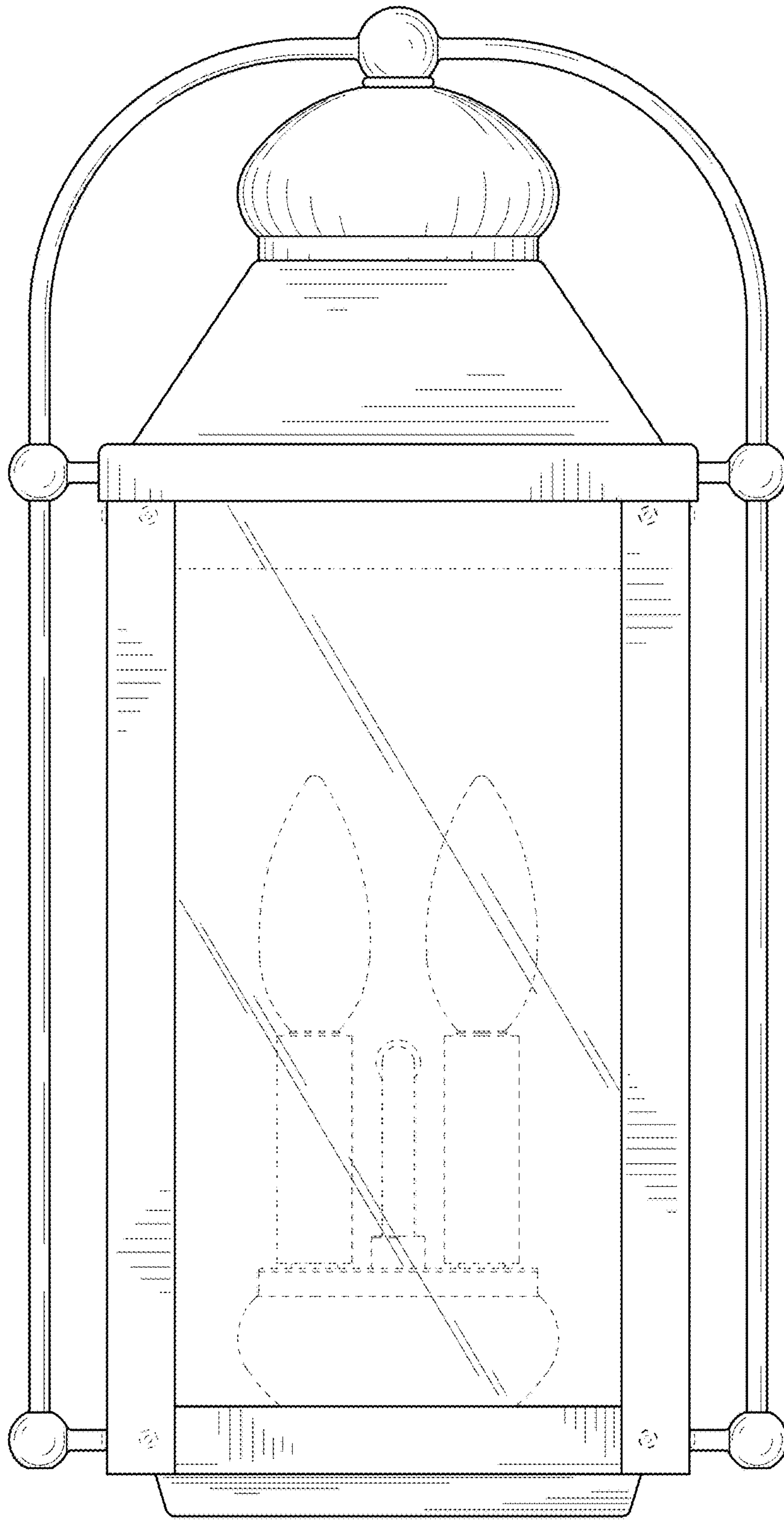


Fig. 21

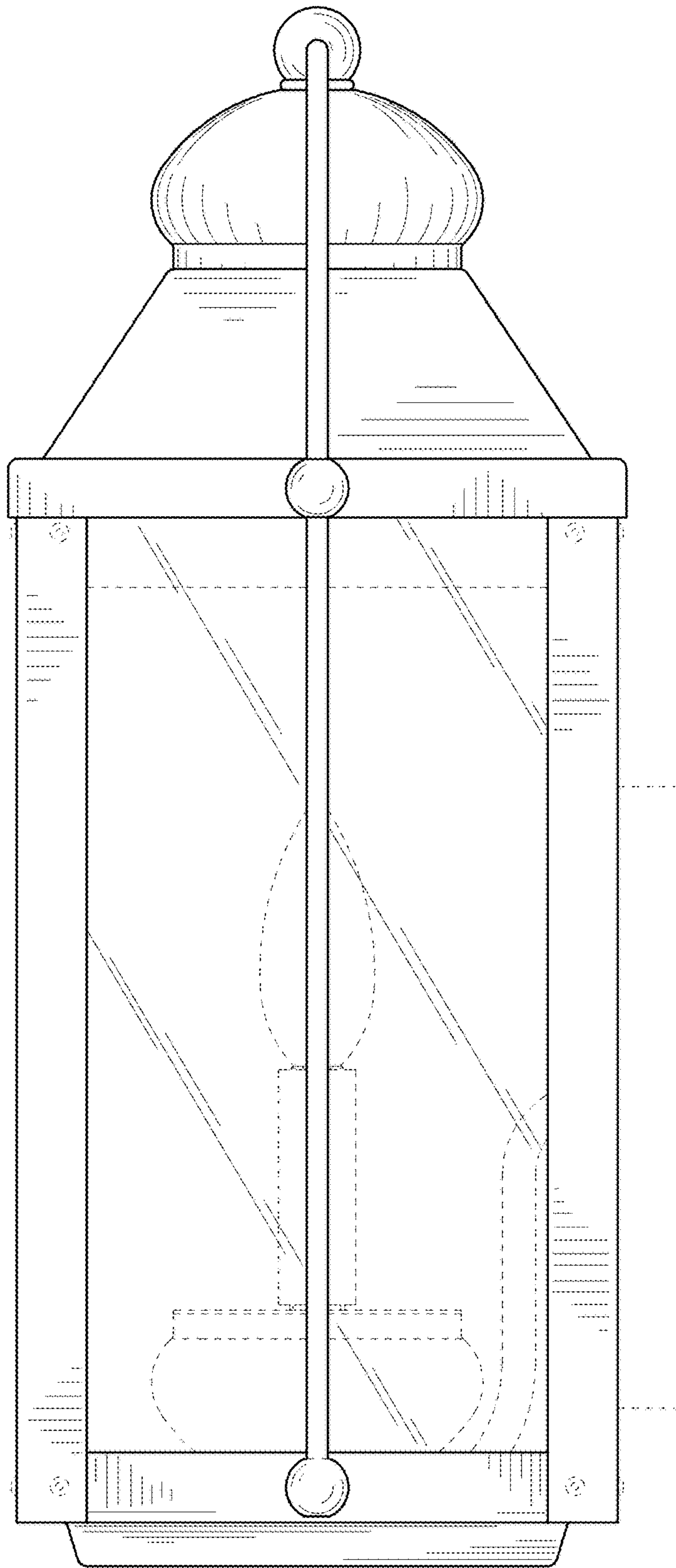


Fig. 22

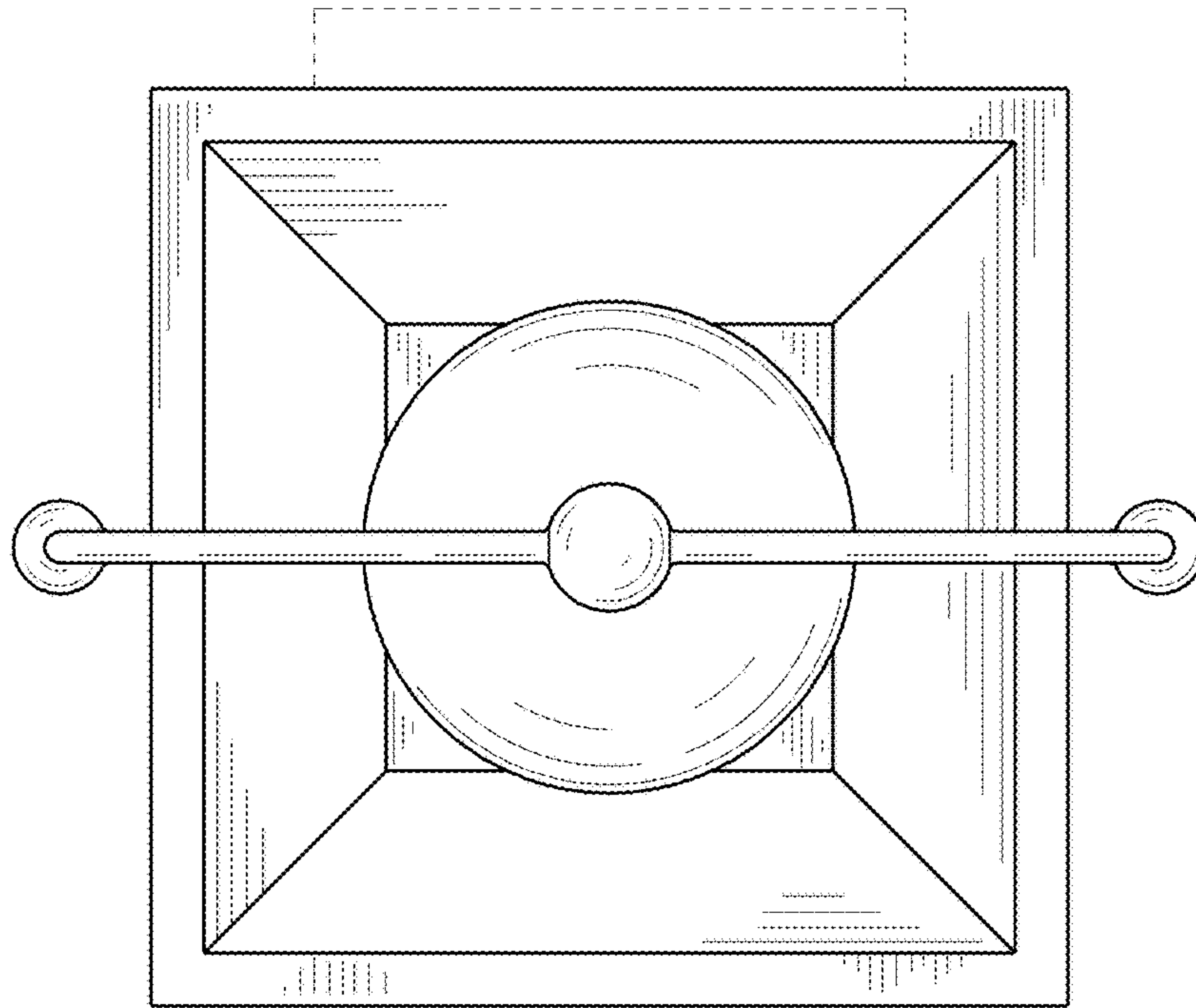


Fig. 23

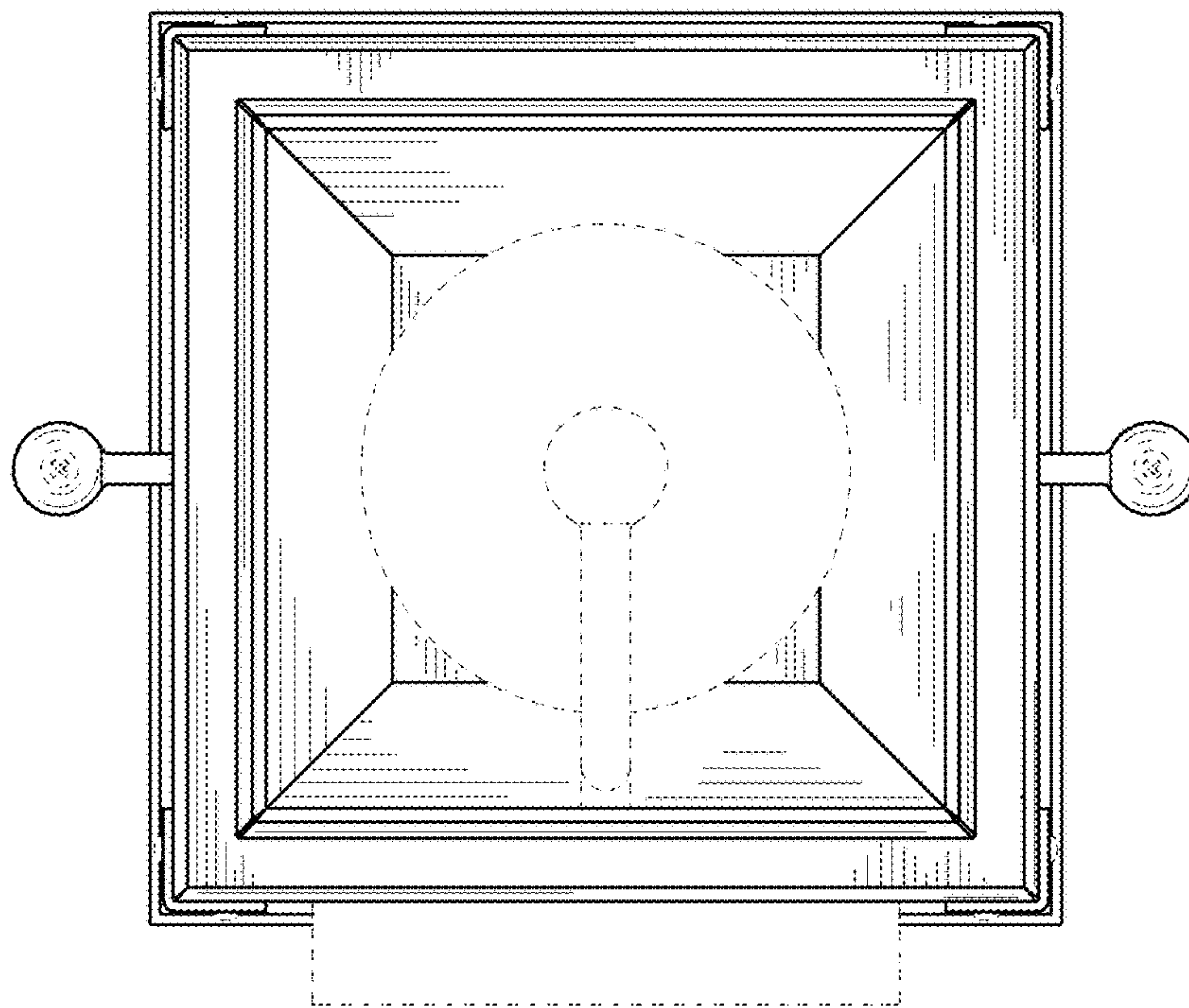


Fig. 24

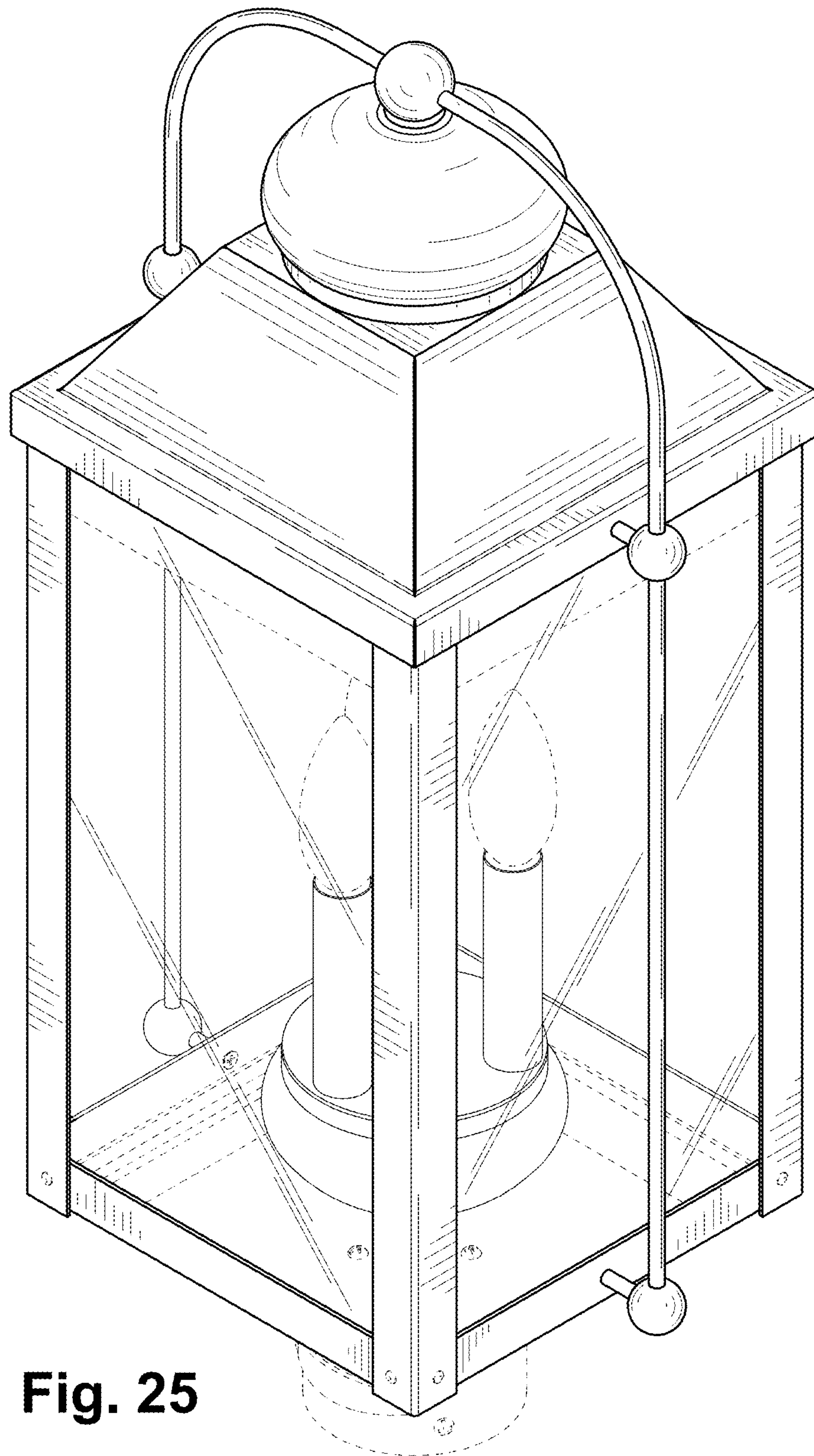


Fig. 25

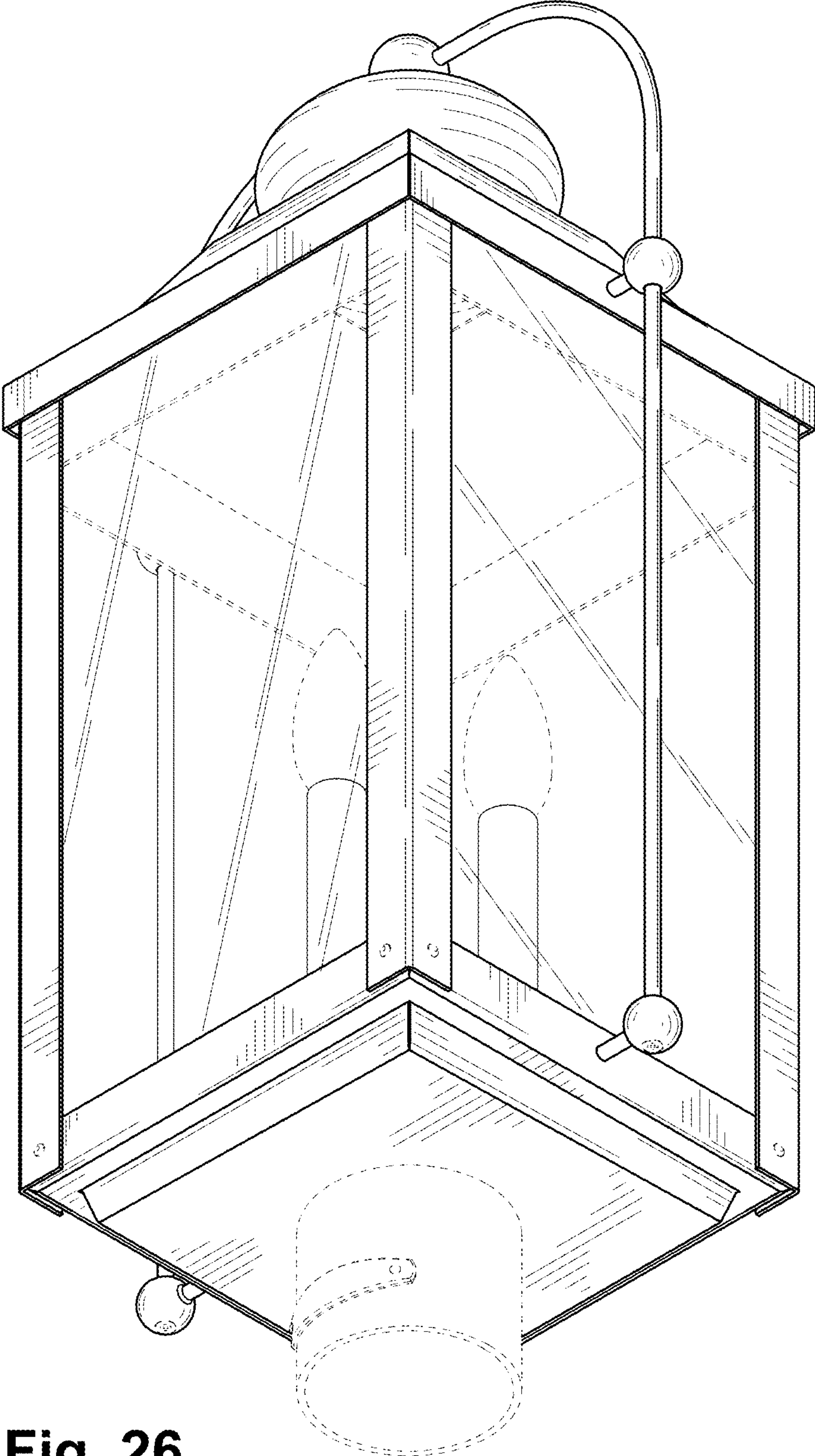


Fig. 26

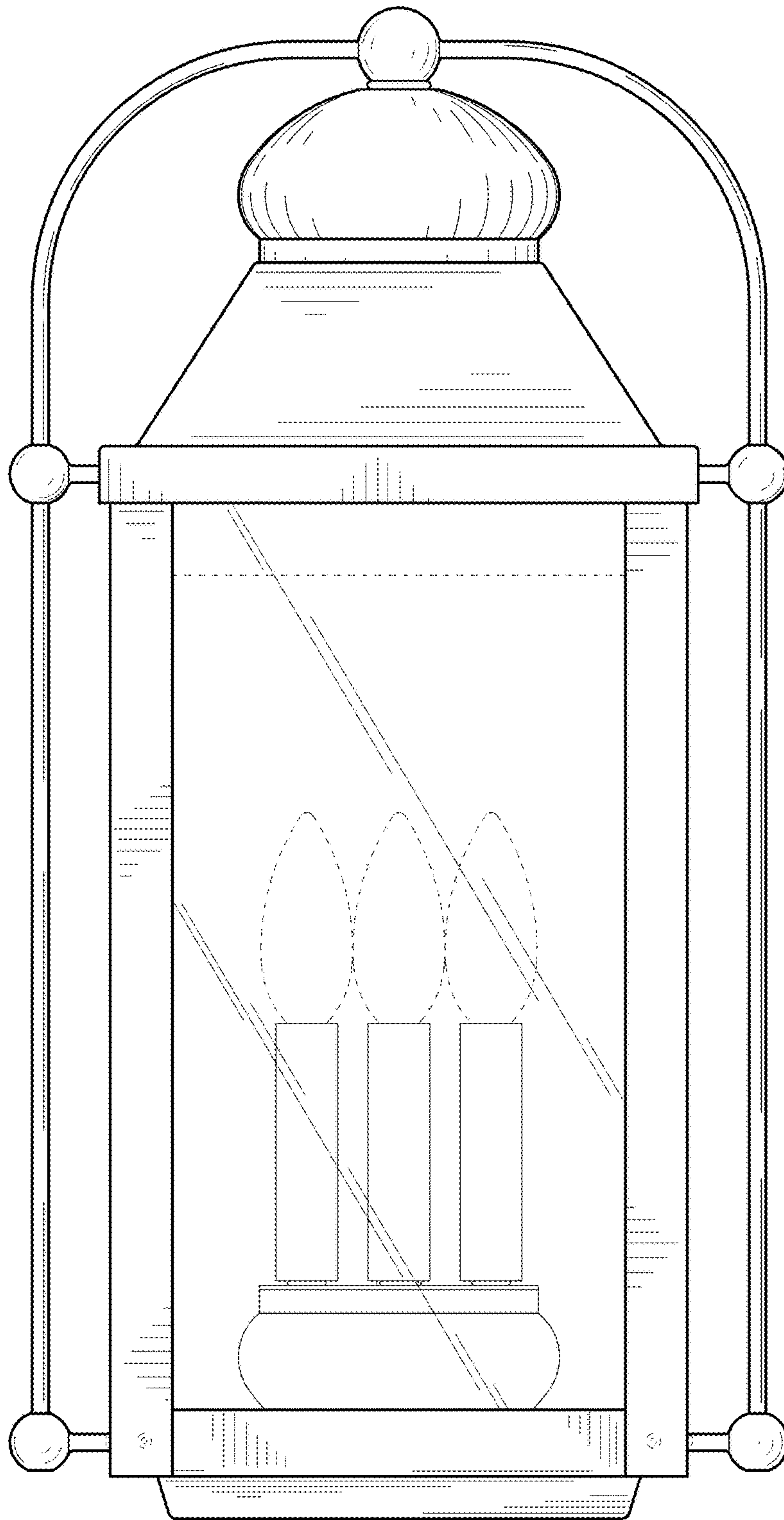


Fig. 27

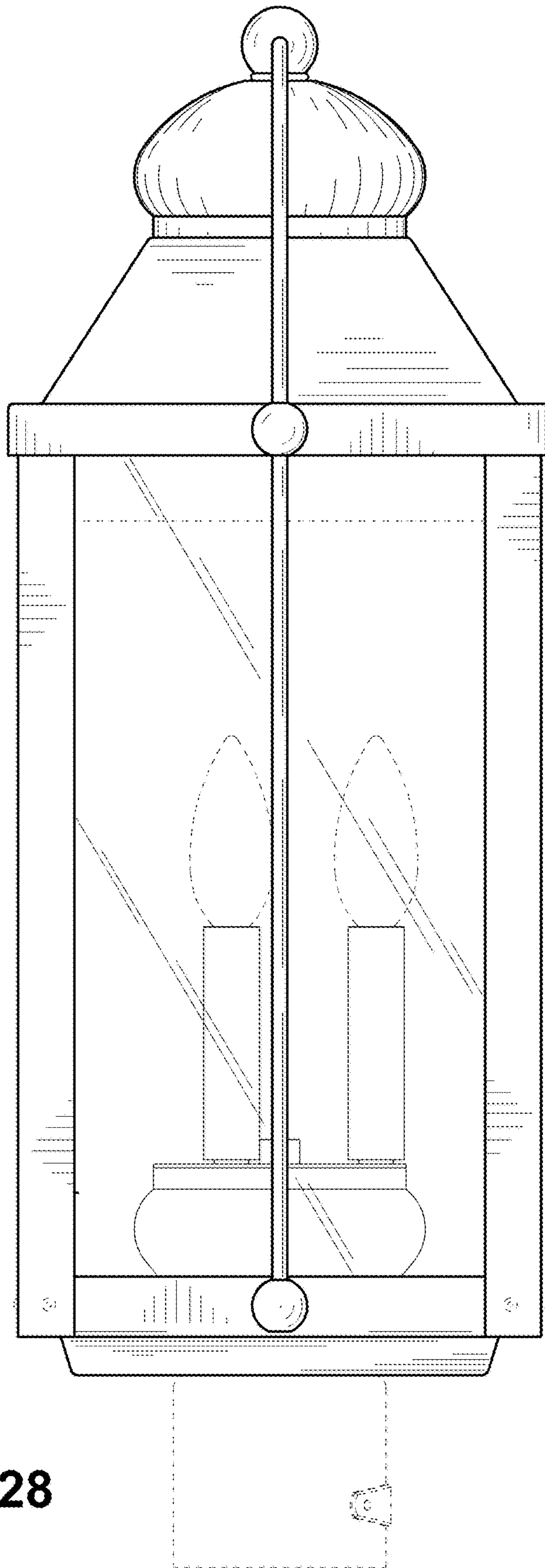


Fig. 28

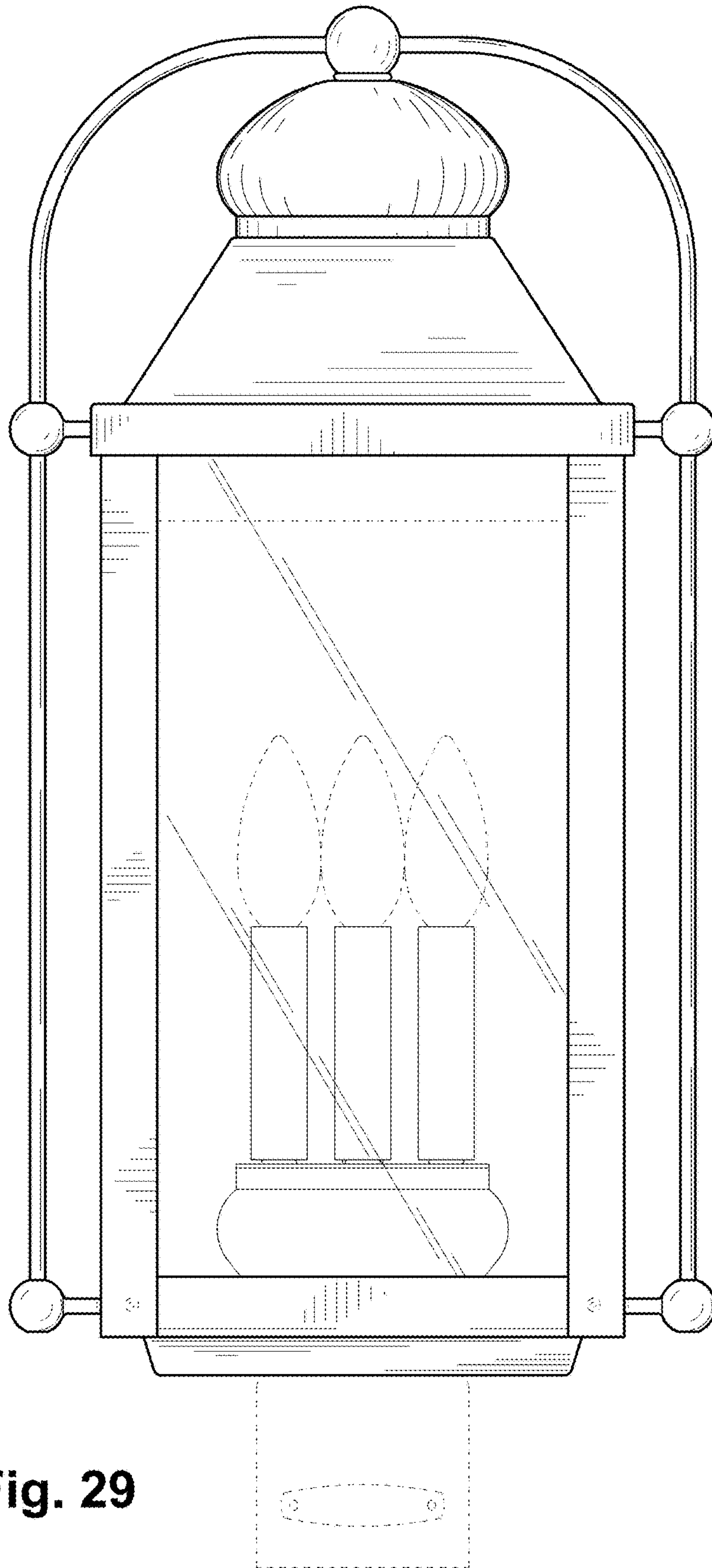


Fig. 29

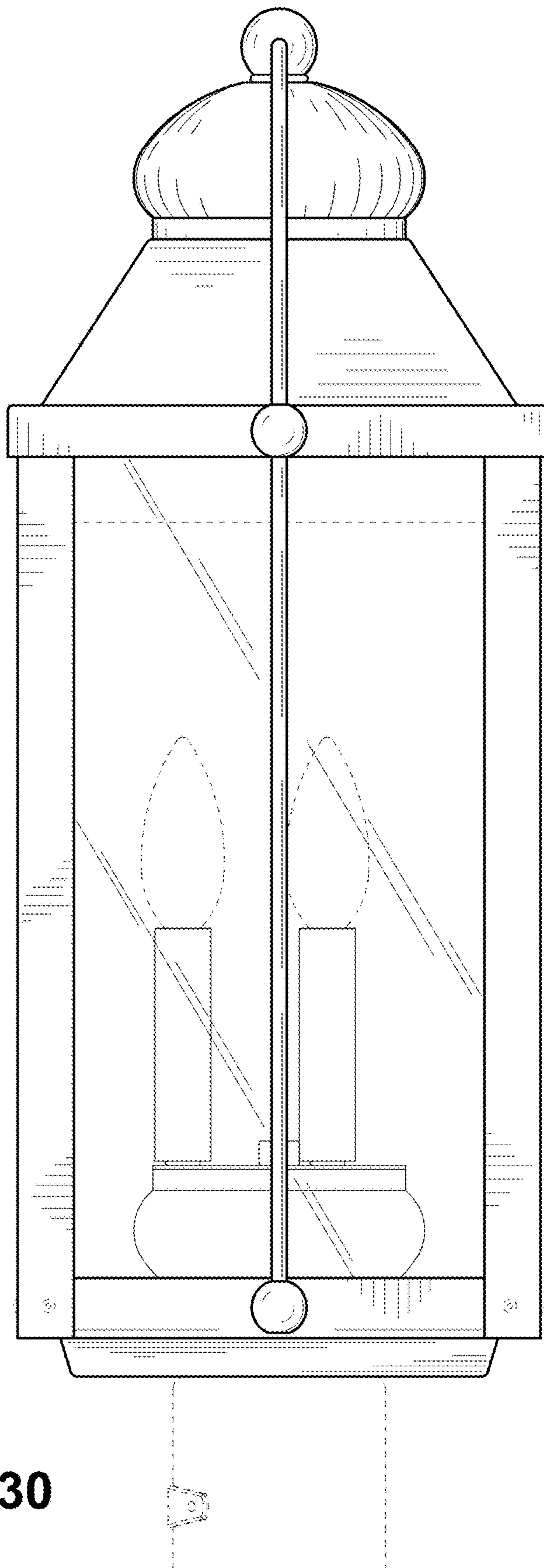


Fig. 30

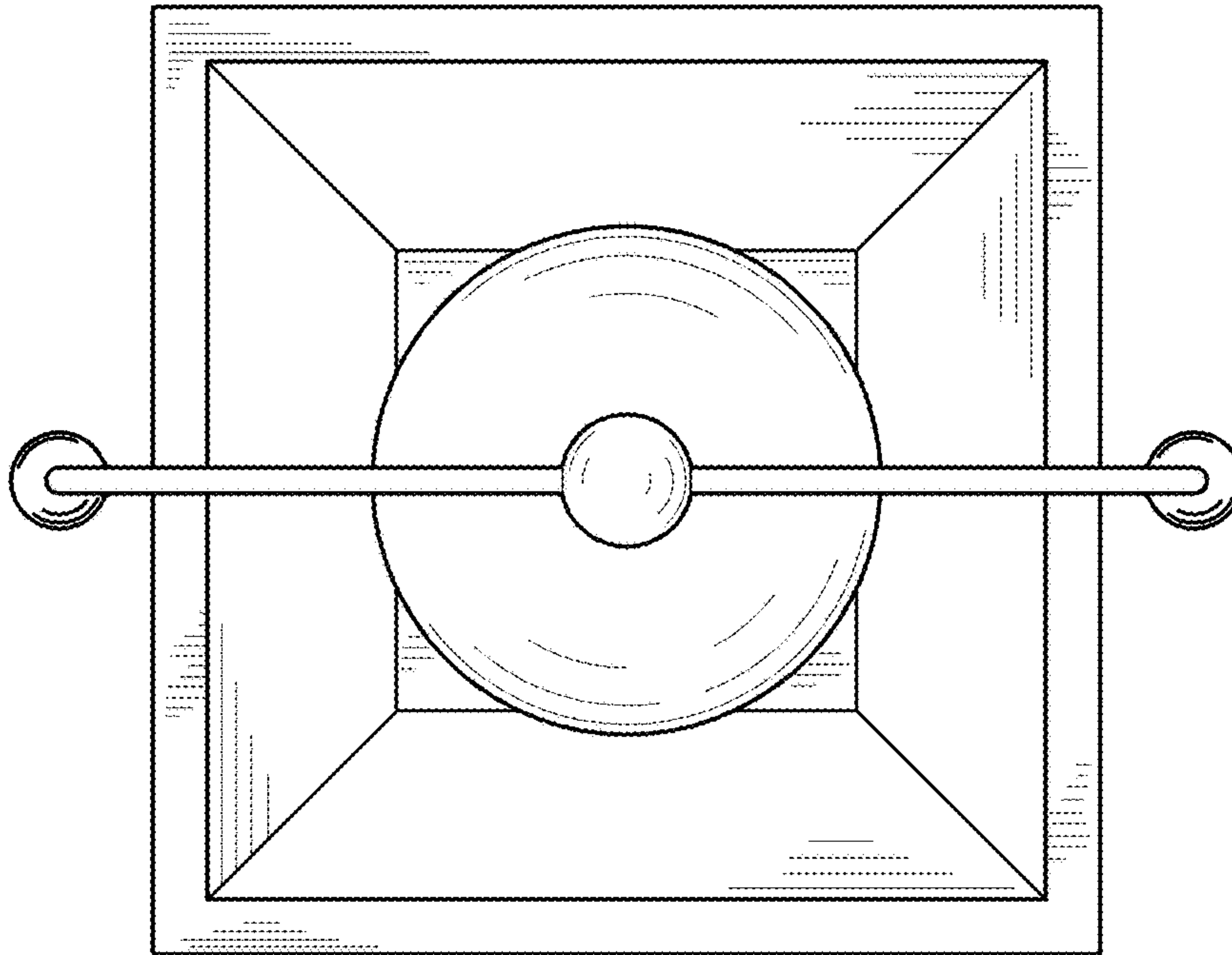


Fig. 31

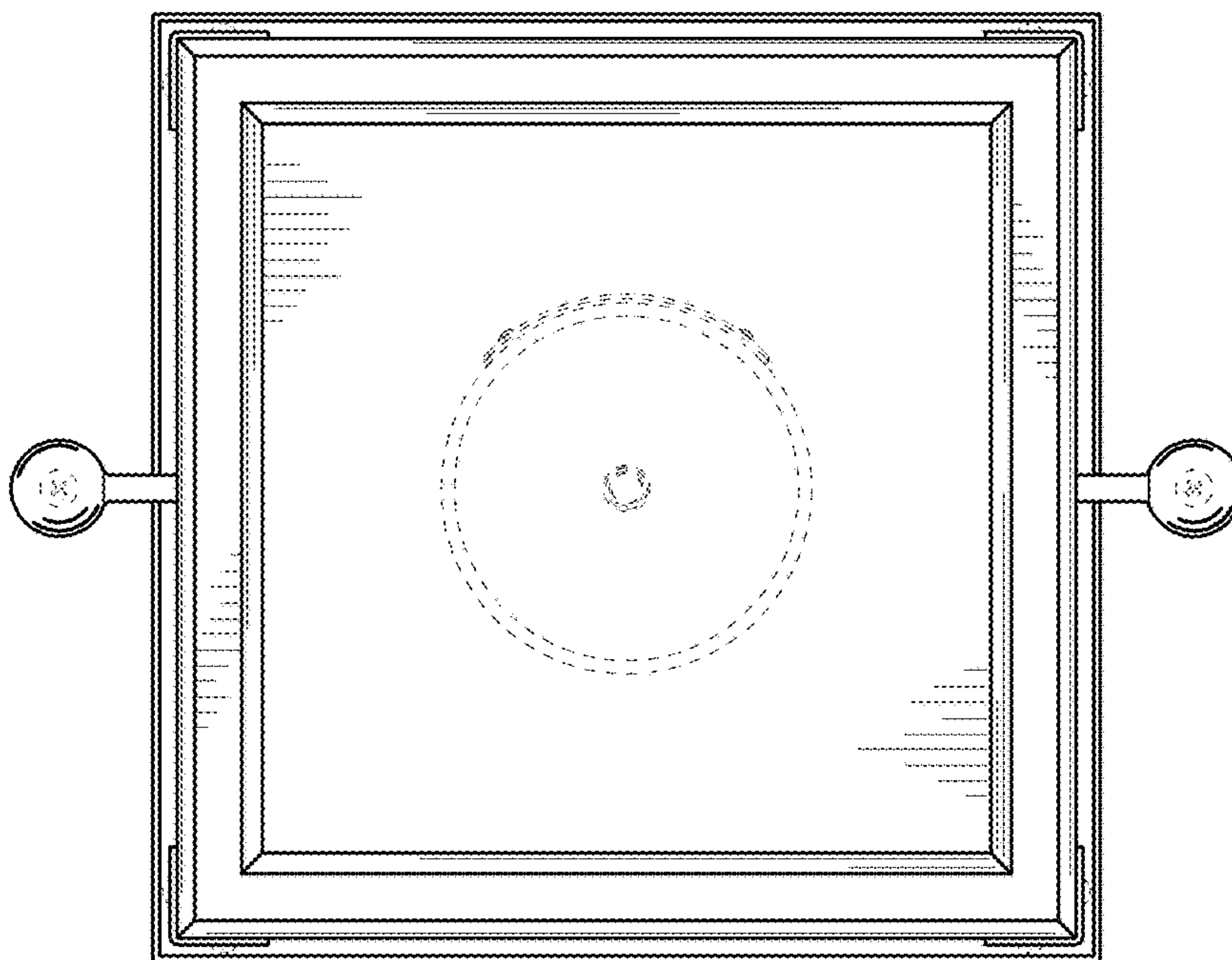


Fig. 32

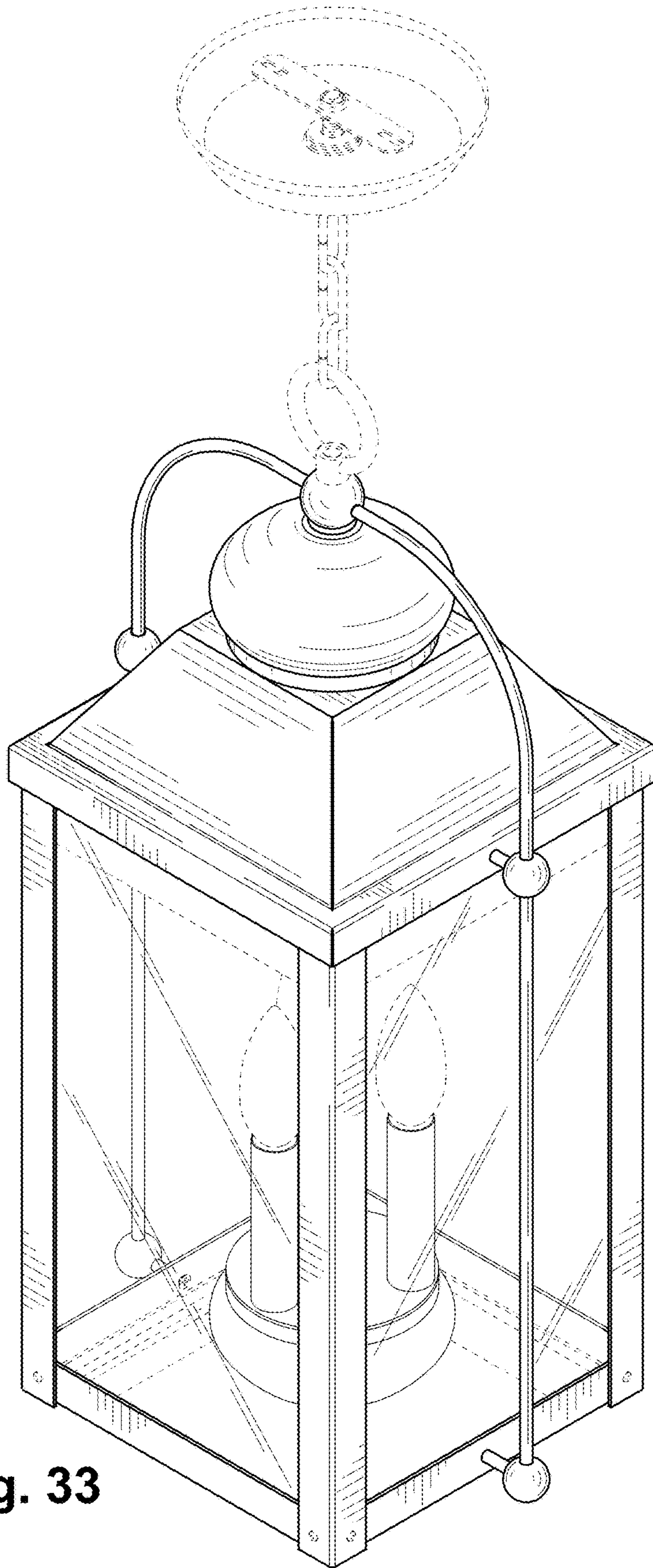


Fig. 33

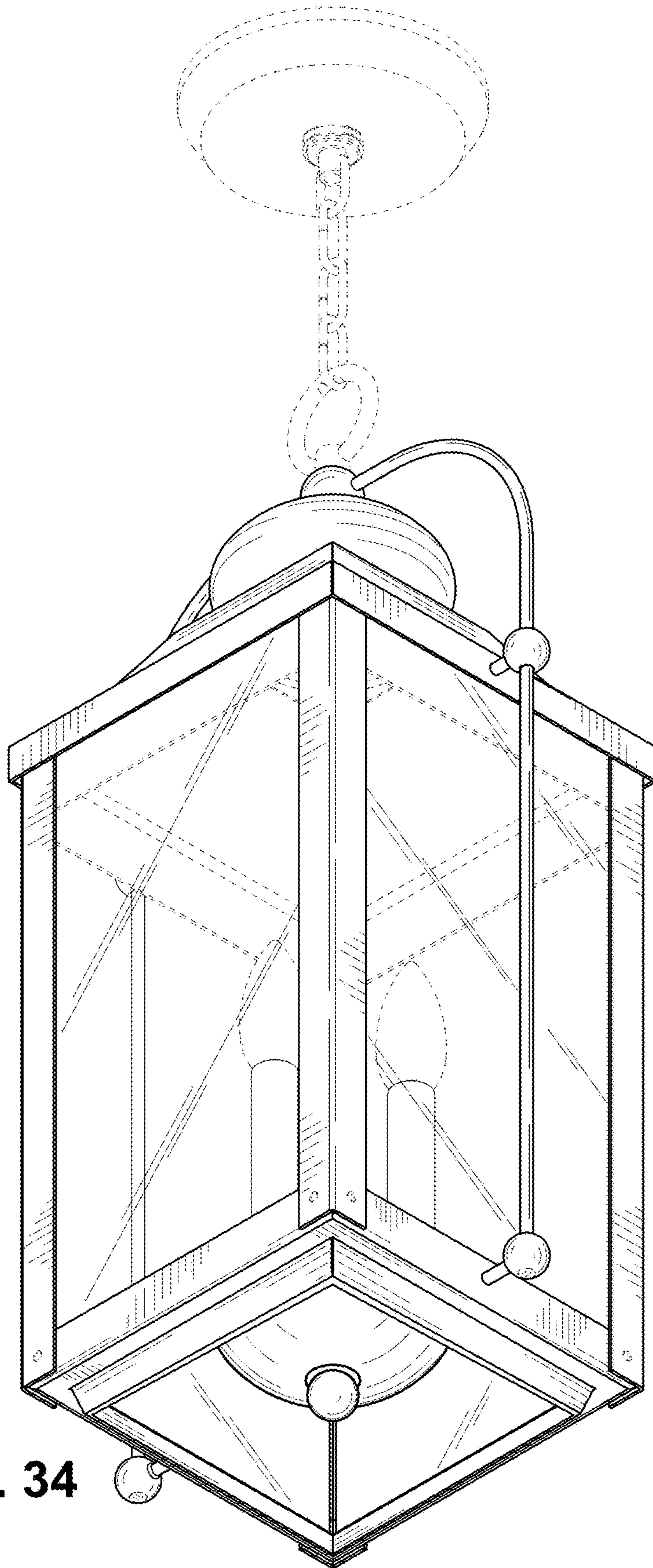


Fig. 34

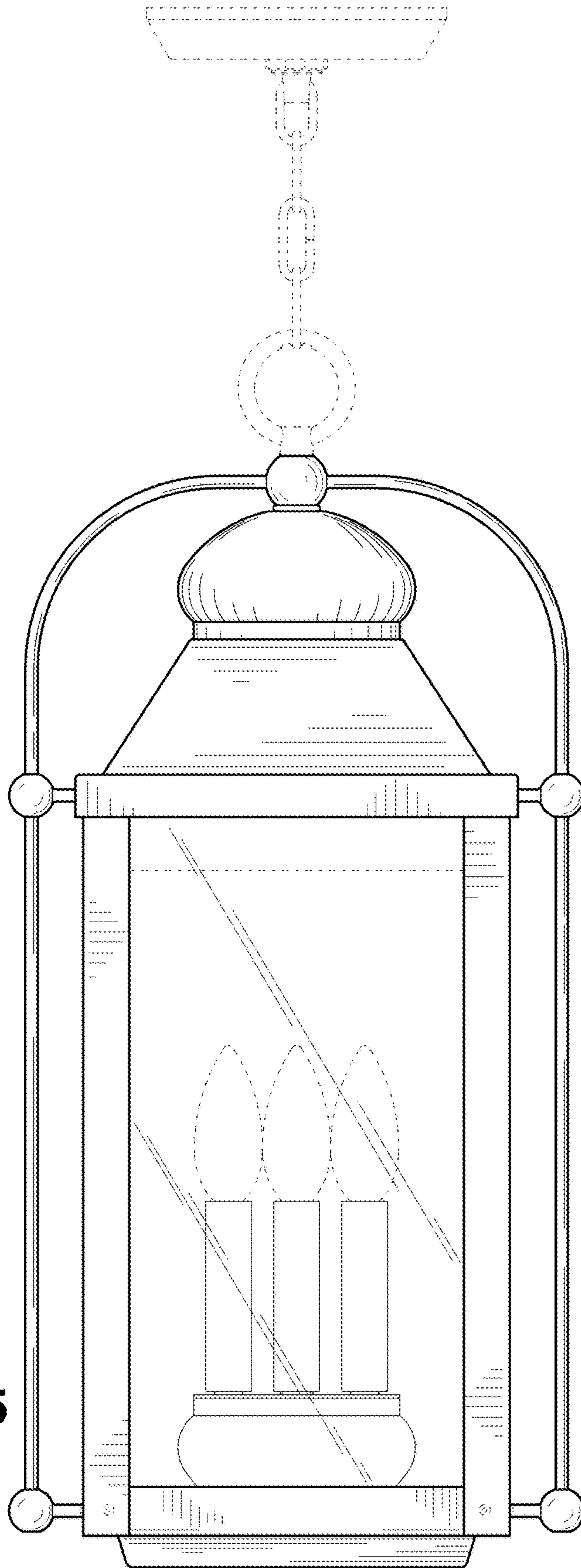


Fig. 35

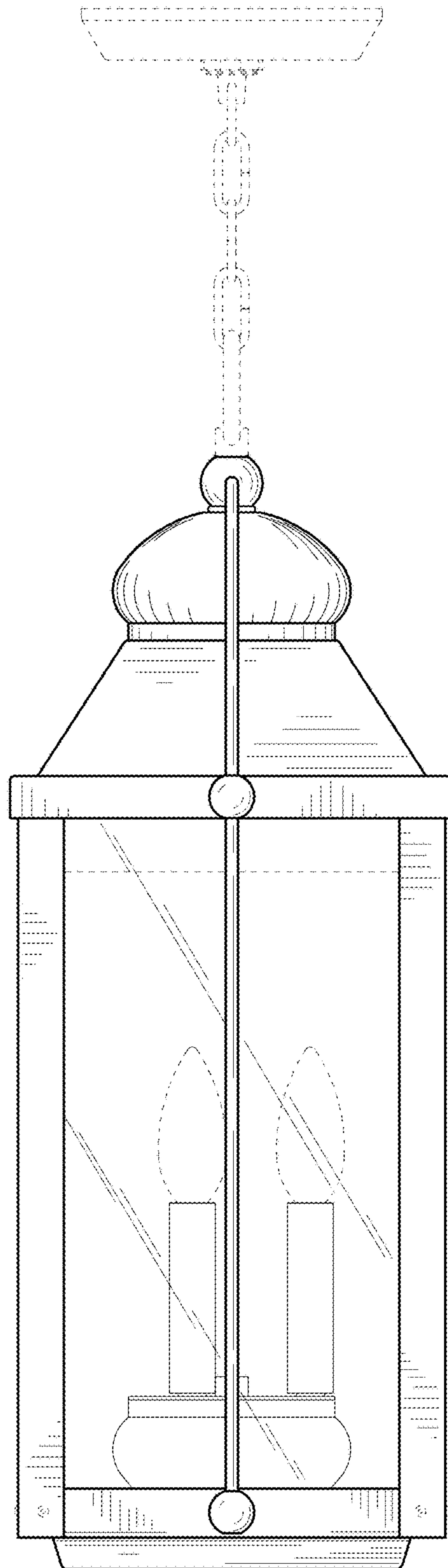


Fig. 36

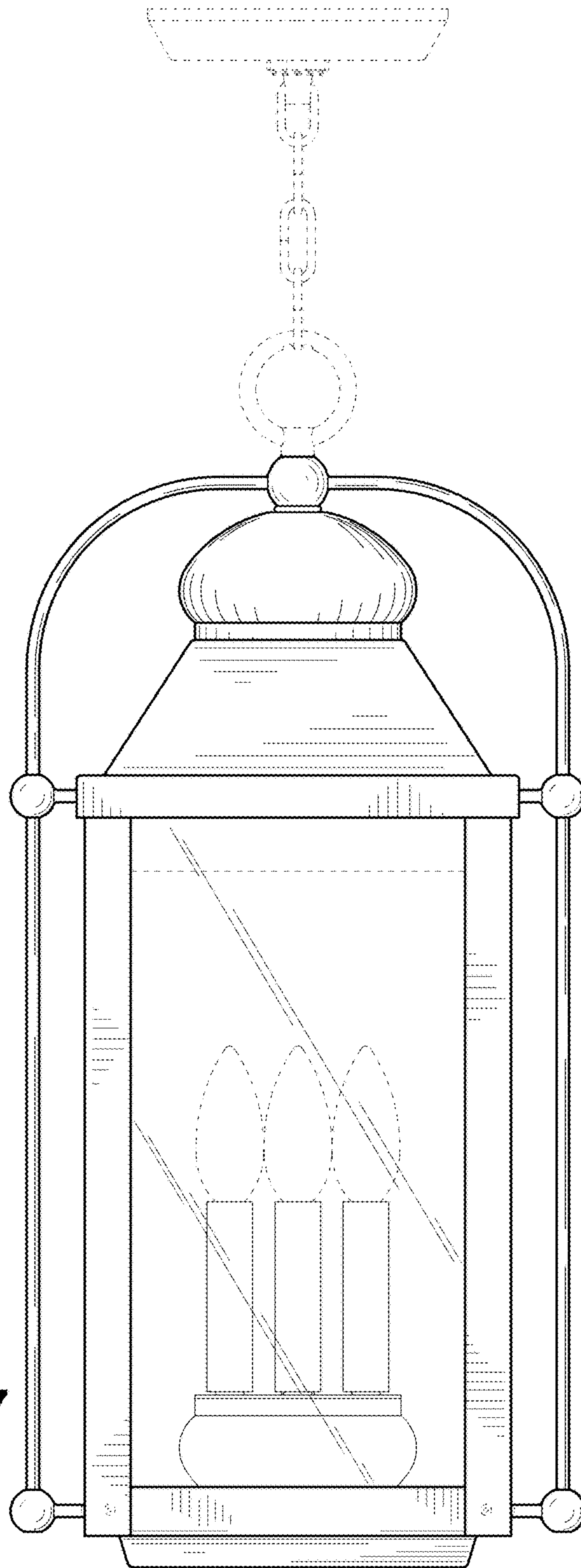


Fig. 37

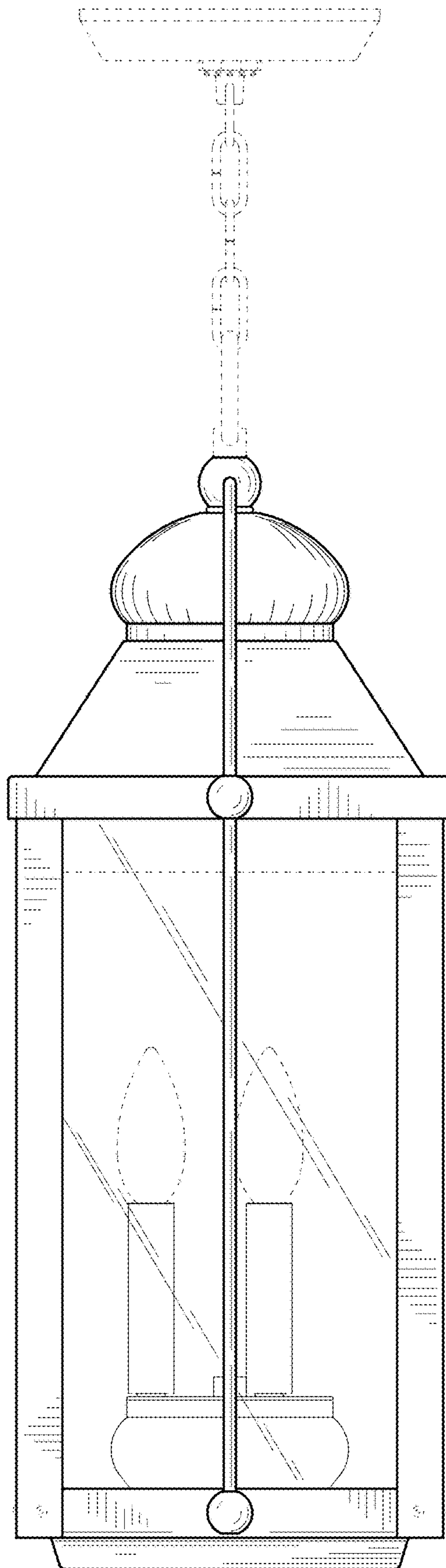


Fig. 38

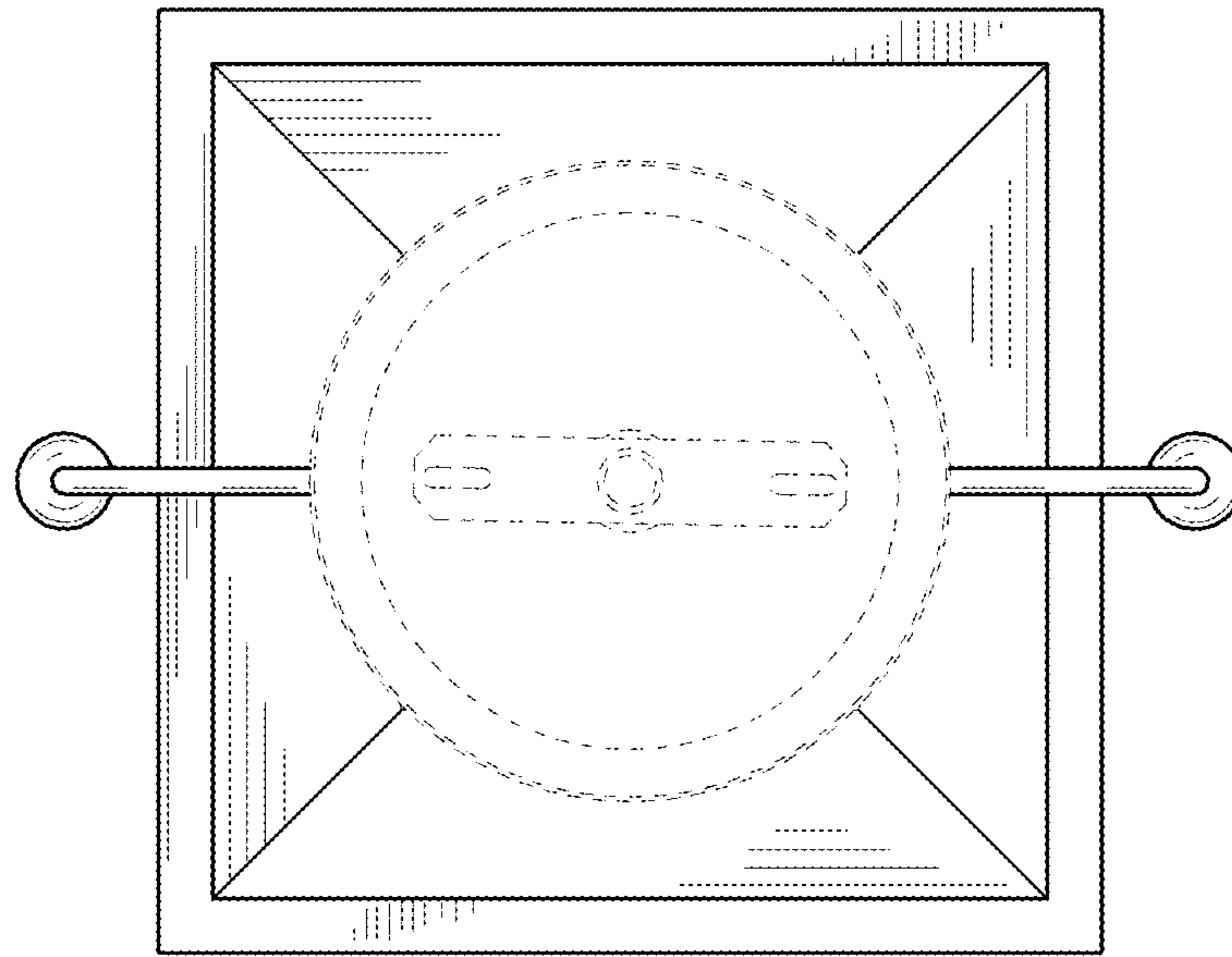


Fig. 39

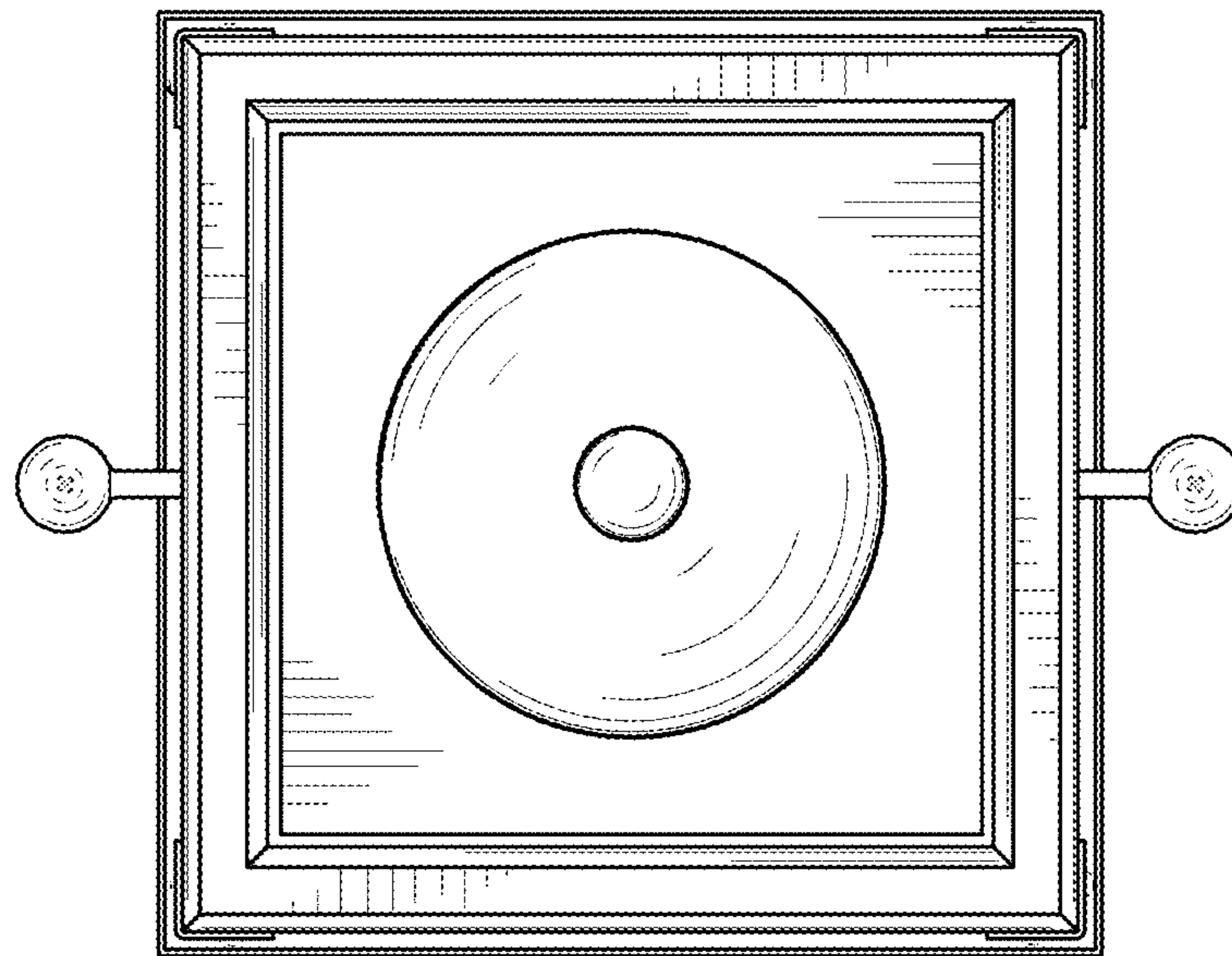


Fig. 40

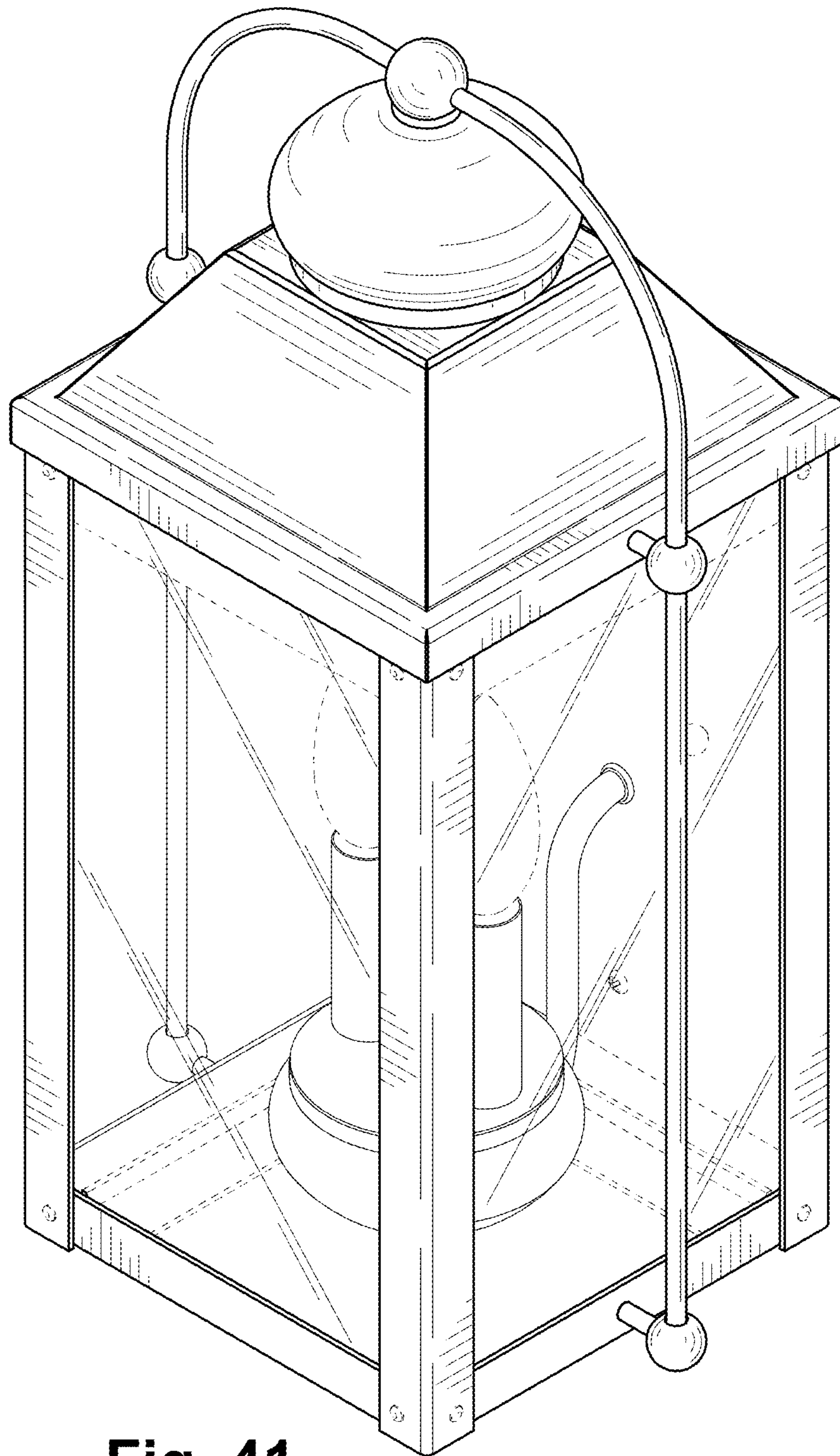


Fig. 41

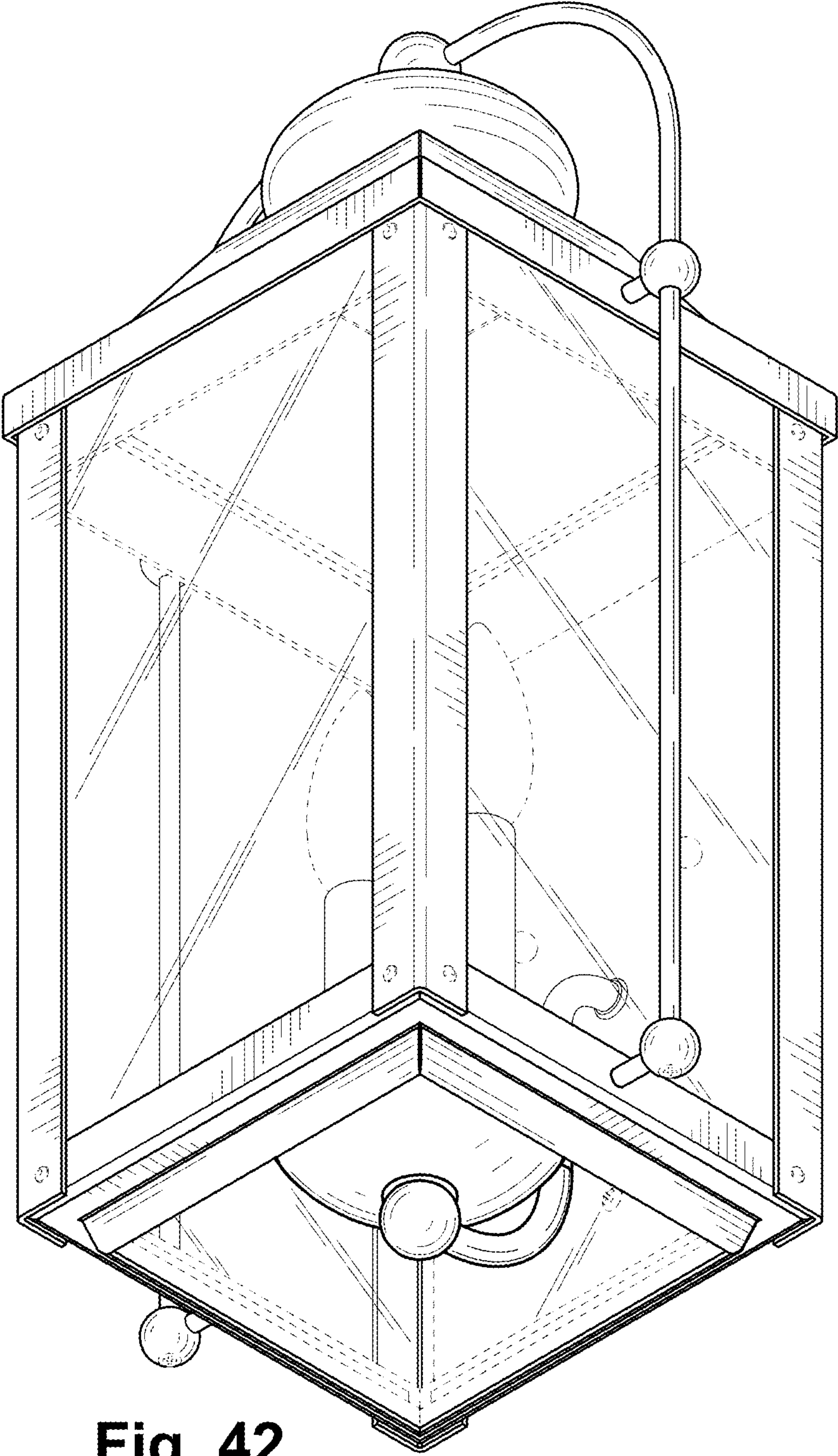


Fig. 42

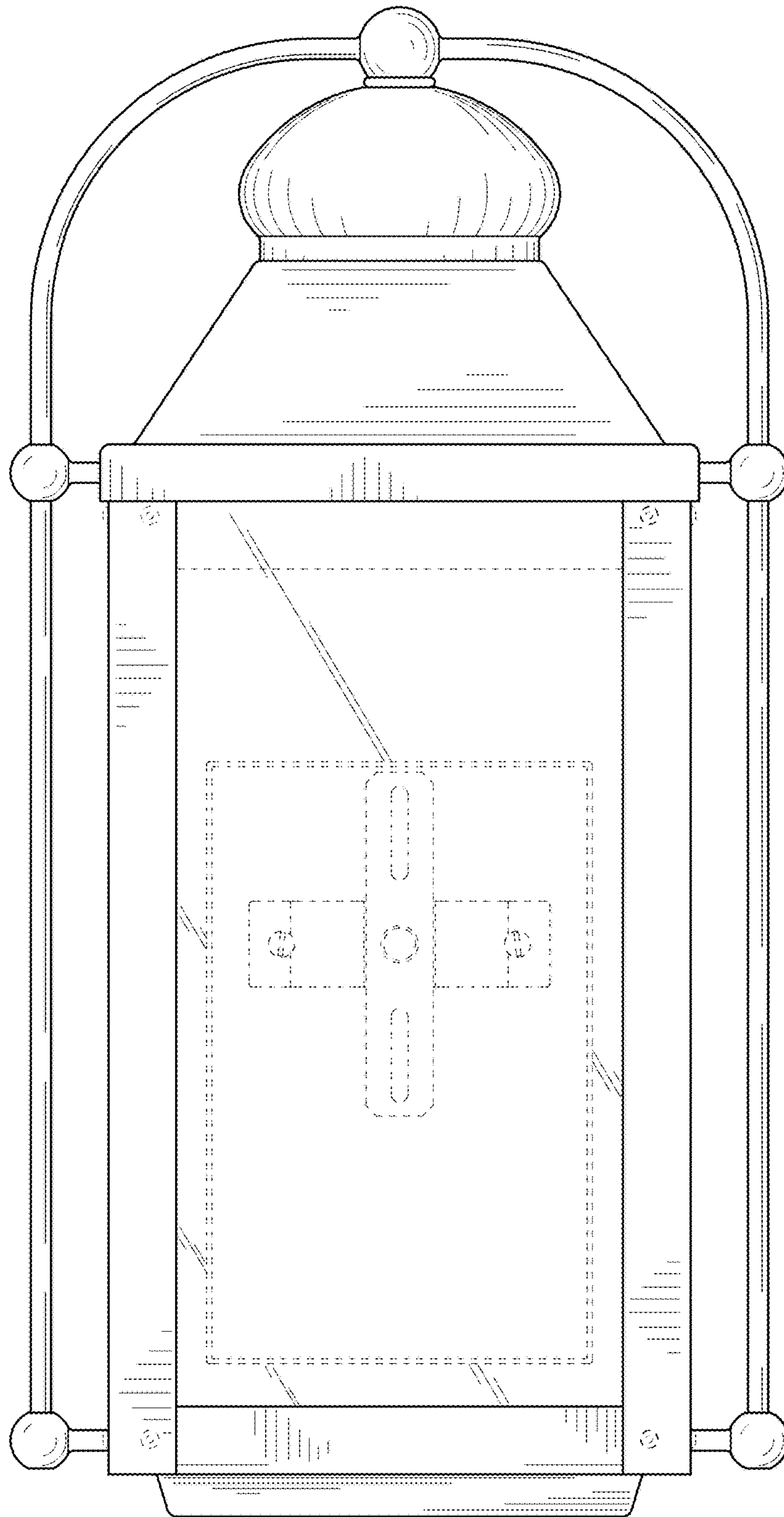


Fig. 43

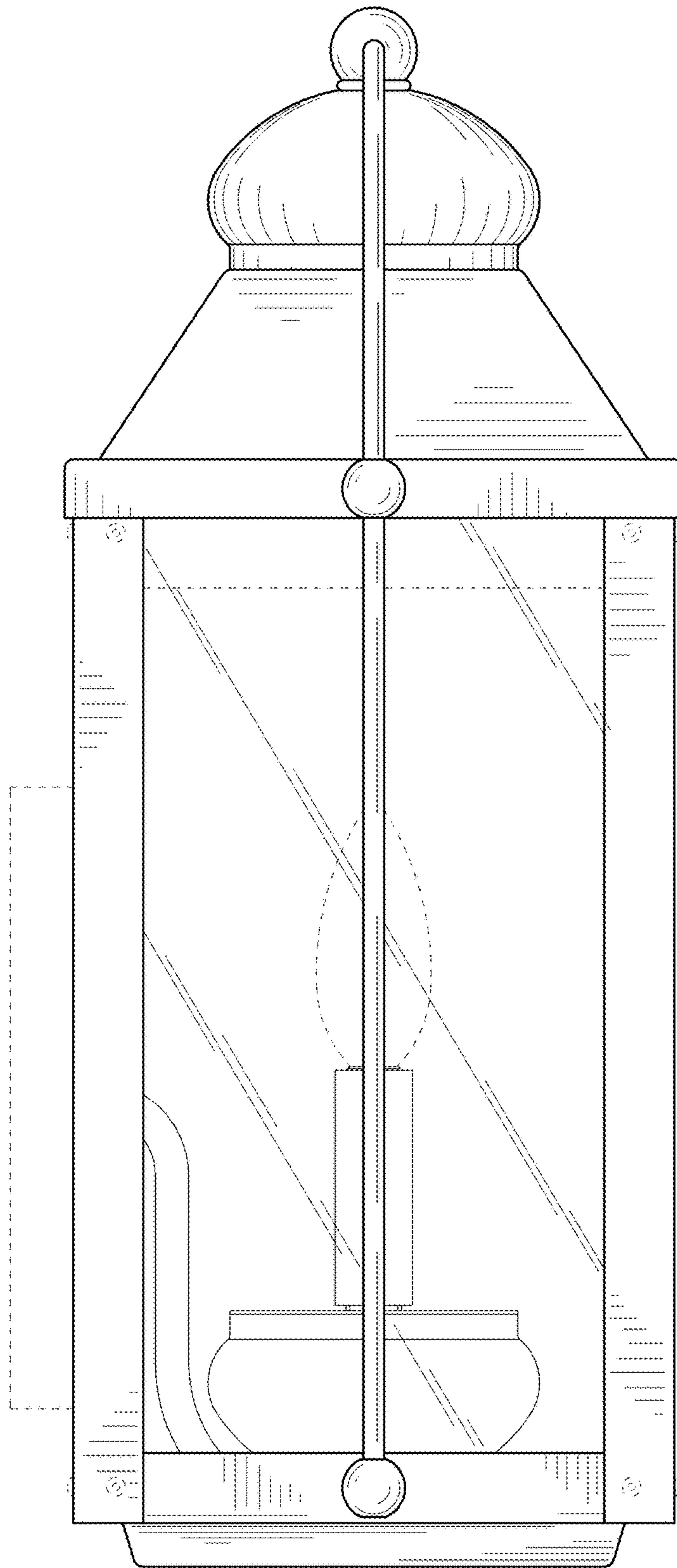


Fig. 44

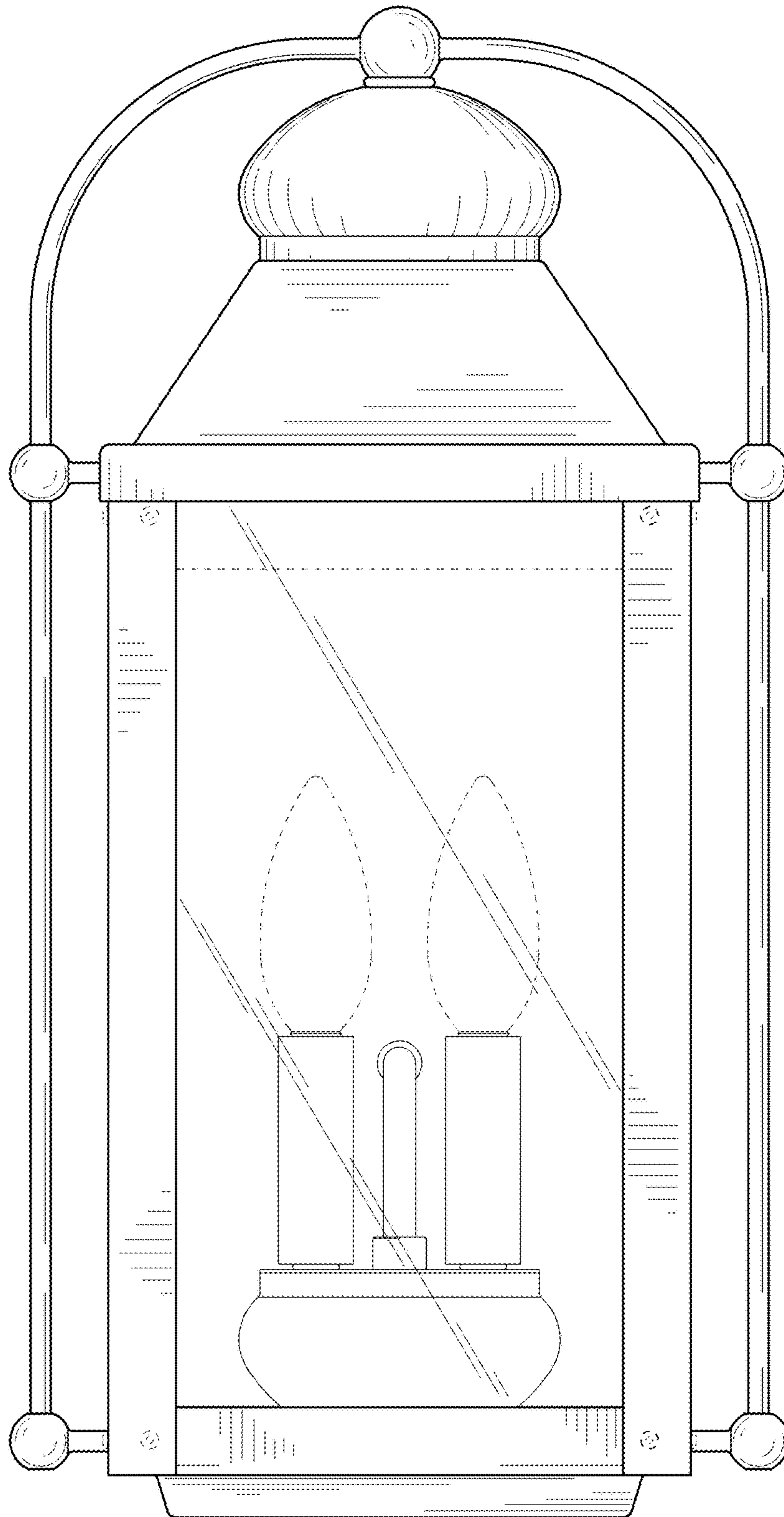


Fig. 45

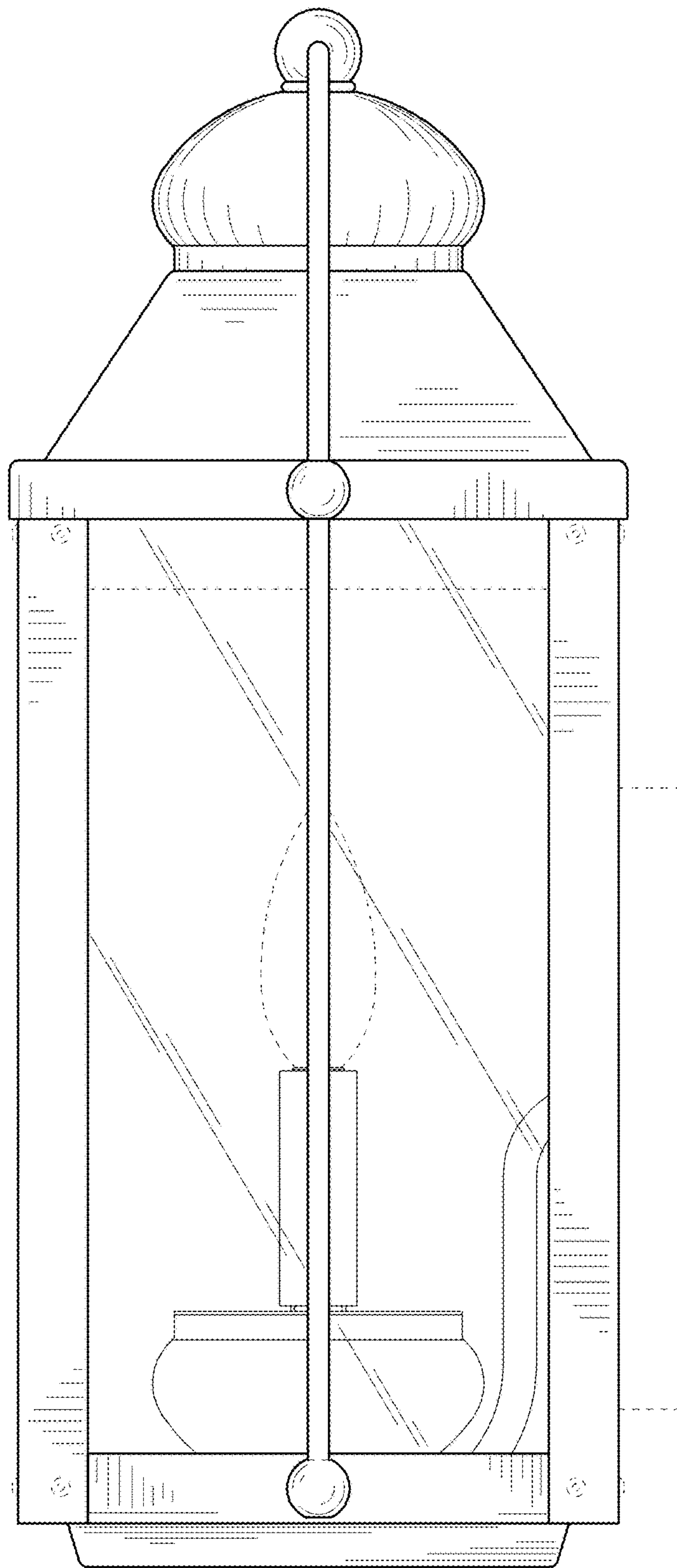


Fig. 46

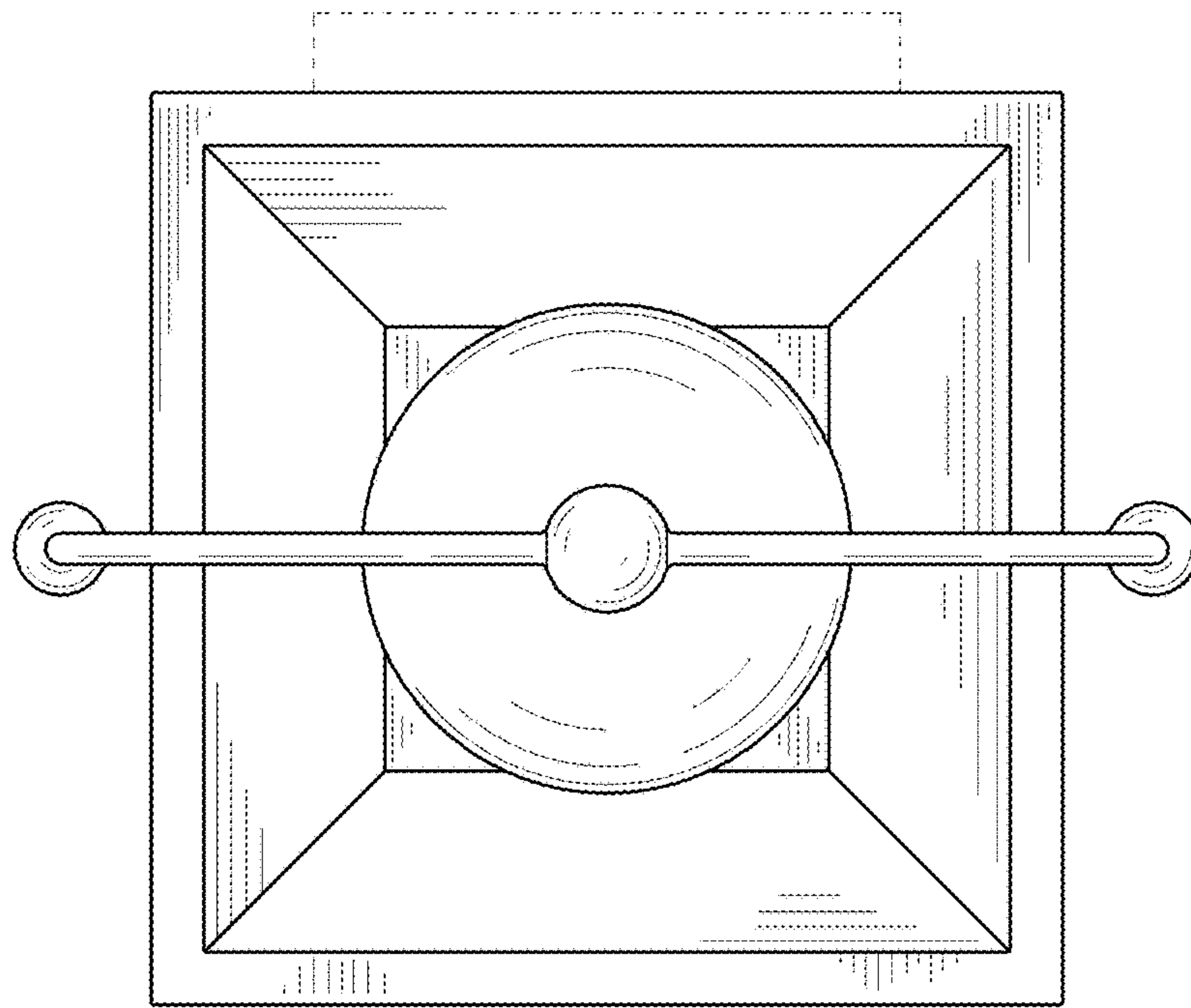


Fig. 47

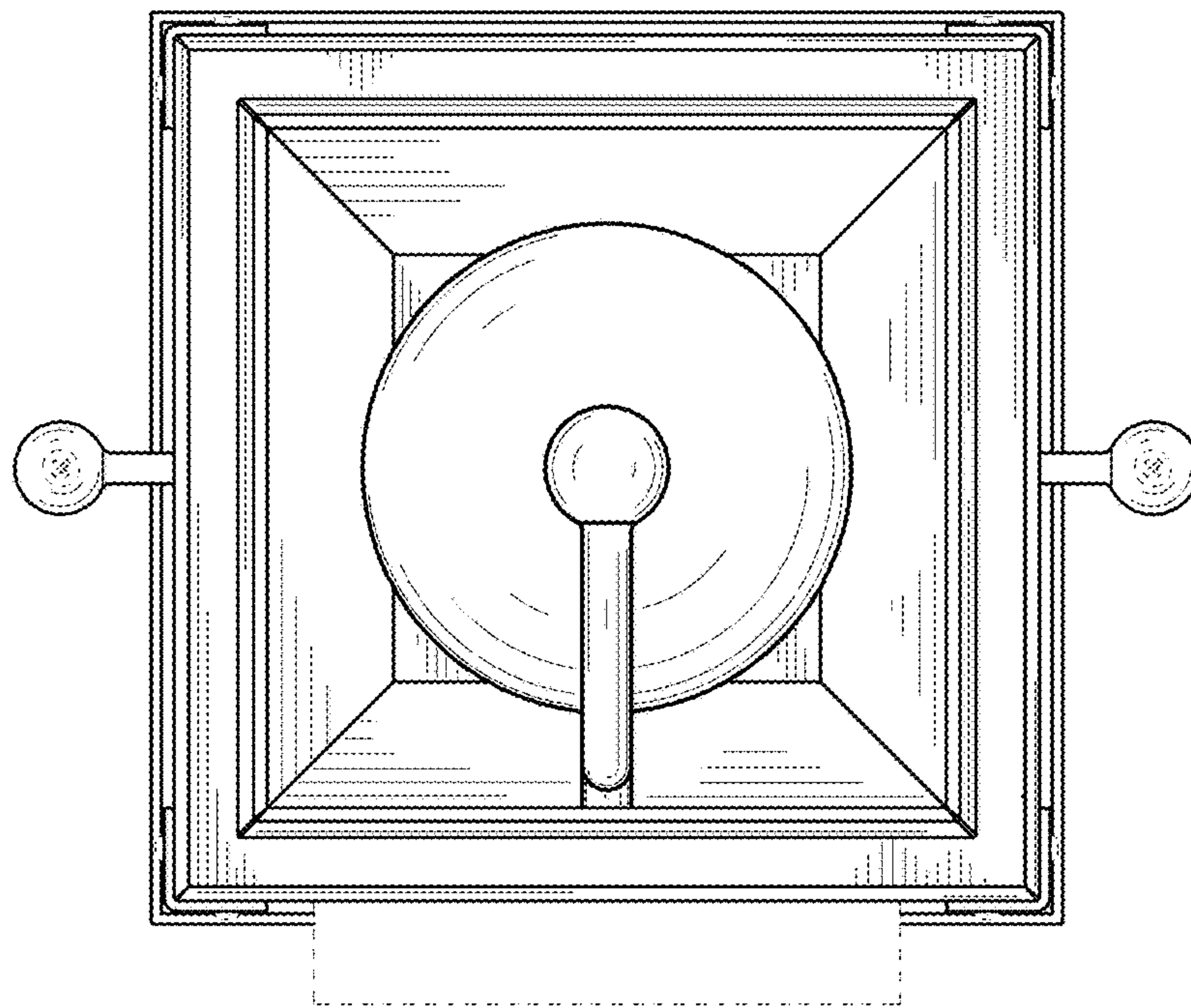


Fig. 48