



US00D807544S

(12) **United States Design Patent**
Yoshida et al.

(10) **Patent No.:** **US D807,544 S**
(45) **Date of Patent:** **** Jan. 9, 2018**

- (54) **HEADLIGHT FOR A MOTOR VEHICLE**
- (71) Applicant: **Mazda Motor Corporation**, Hiroshima (JP)
- (72) Inventors: **Atsushi Yoshida**, Hiroshima (JP);
Shuma Yamakawa, Hiroshima (JP);
Shinichi Harada, Hiroshima (JP)
- (73) Assignee: **MAZDA MOTOR CORPORATION**, Hiroshima (JP)
- (**) Term: **15 Years**
- (21) Appl. No.: **29/582,355**
- (22) Filed: **Oct. 27, 2016**
- (30) **Foreign Application Priority Data**
Apr. 27, 2016 (JP) D2016-009217
- (51) **LOC (11) Cl.** **26-06**
- (52) **U.S. Cl.**
USPC **D26/28**
- (58) **Field of Classification Search**
USPC D26/28-36; 362/80-83, 267-269,
362/459-468, 475-478, 485-487
CPC F21S 48/00; F21S 48/10; F21S 48/115;
F21S 48/1233; F21S 48/1266; F21S
48/1388; F21S 48/2268; F21V 21/04
See application file for complete search history.

- D672,482 S * 12/2012 Lee D26/28
- D688,824 S * 8/2013 Binder D26/28
- D697,243 S * 1/2014 Kitazumi D26/28
- D707,860 S * 6/2014 Futschik D26/28
- D721,840 S * 1/2015 Futschik D26/28
- D728,134 S * 4/2015 Bieling D26/28
- D747,820 S 1/2016 Sato et al.
- D761,467 S 7/2016 Nagasato et al.
- D761,985 S 7/2016 Kayakabe et al.

* cited by examiner

Primary Examiner — Marcus Jackson

(74) *Attorney, Agent, or Firm* — Stuebaker & Brackett PC

(57) **CLAIM**

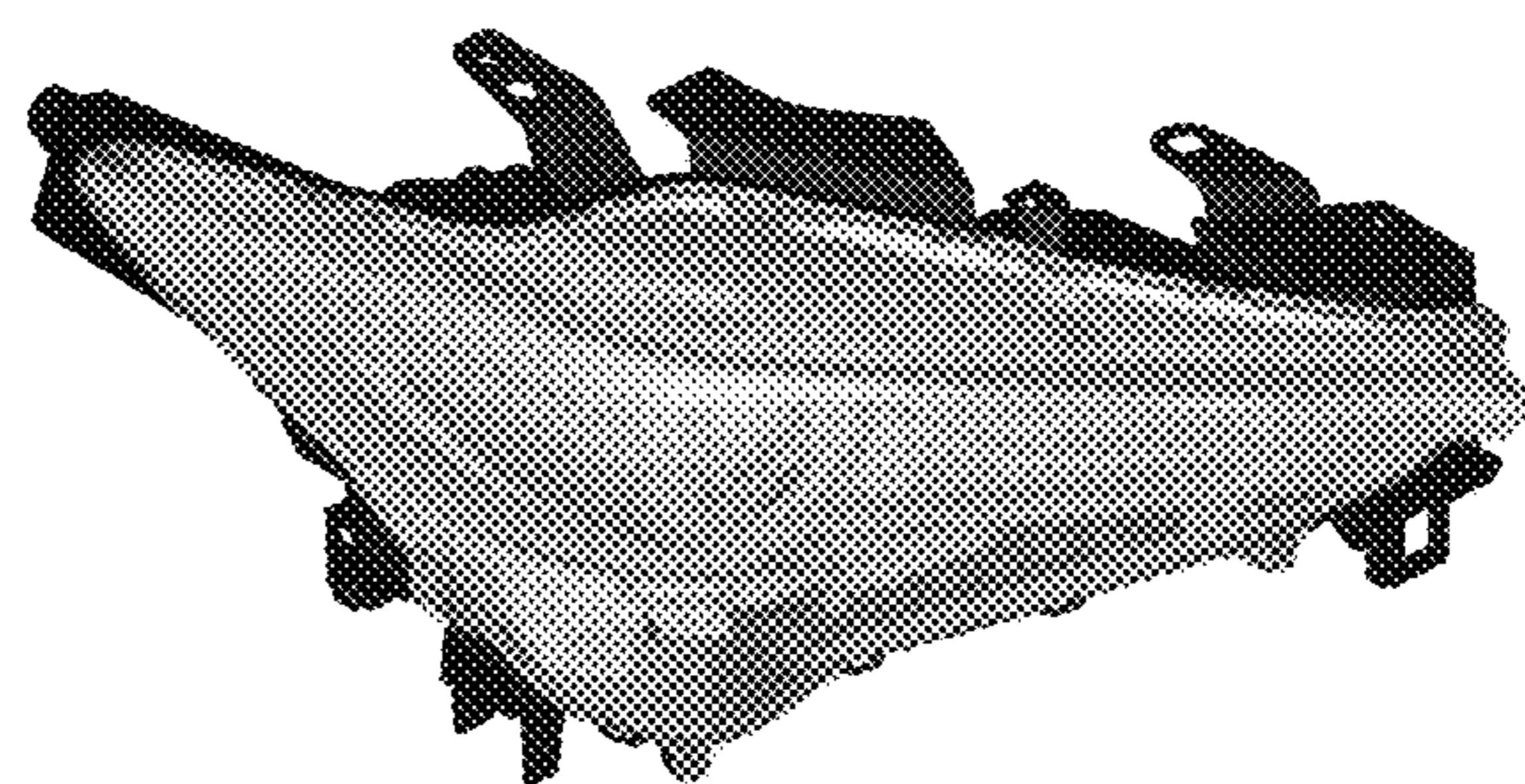
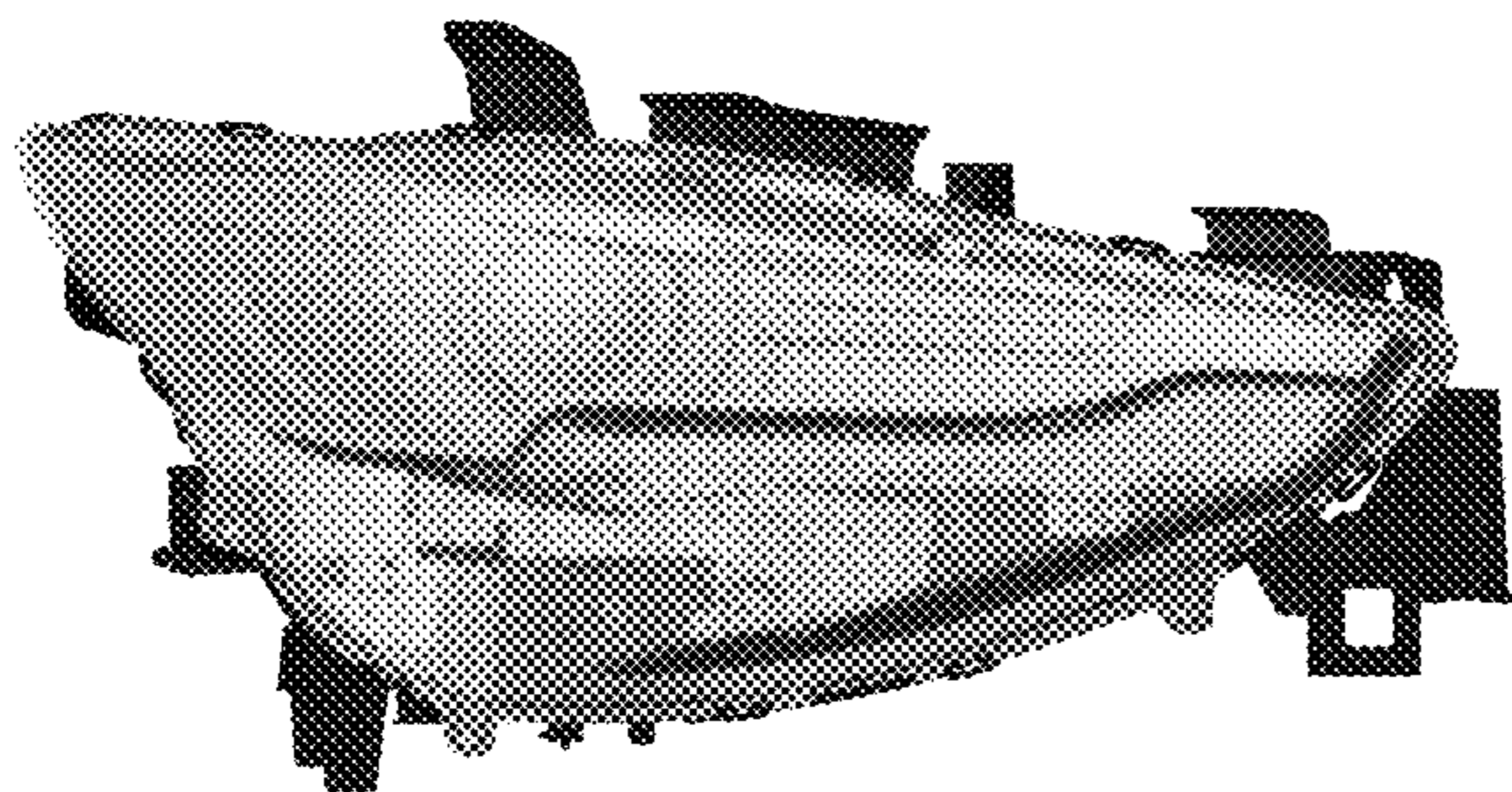
The ornamental design for a headlight for a motor vehicle, as shown and described.

DESCRIPTION

FIG. 1 is an enlarged first perspective view of a headlight for a motor vehicle;
FIG. 2 is an enlarged second perspective view thereof;
FIG. 3 is a front view thereof;
FIG. 4 is a rear view thereof;
FIG. 5 is a left side view thereof;
FIG. 6 is a right side view thereof;
FIG. 7 is a top view thereof;
FIG. 8 is a bottom view thereof; and,
FIG. 9 is an enlarged front view thereof.

1 Claim, 5 Drawing Sheets

- (56) **References Cited**
U.S. PATENT DOCUMENTS
D662,635 S 6/2012 Sato et al.
D671,248 S * 11/2012 Fuchigami D26/28



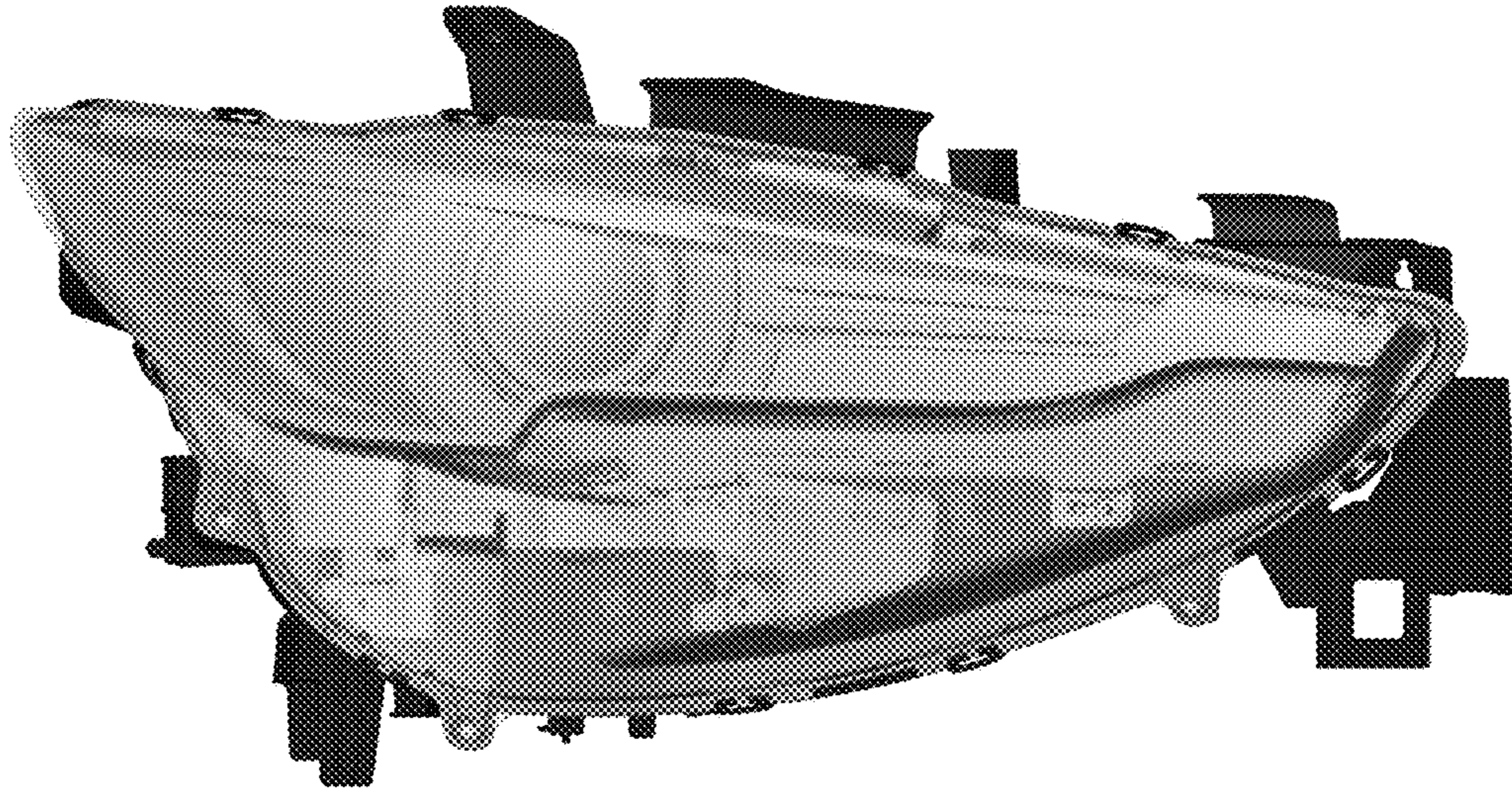


FIG. 1

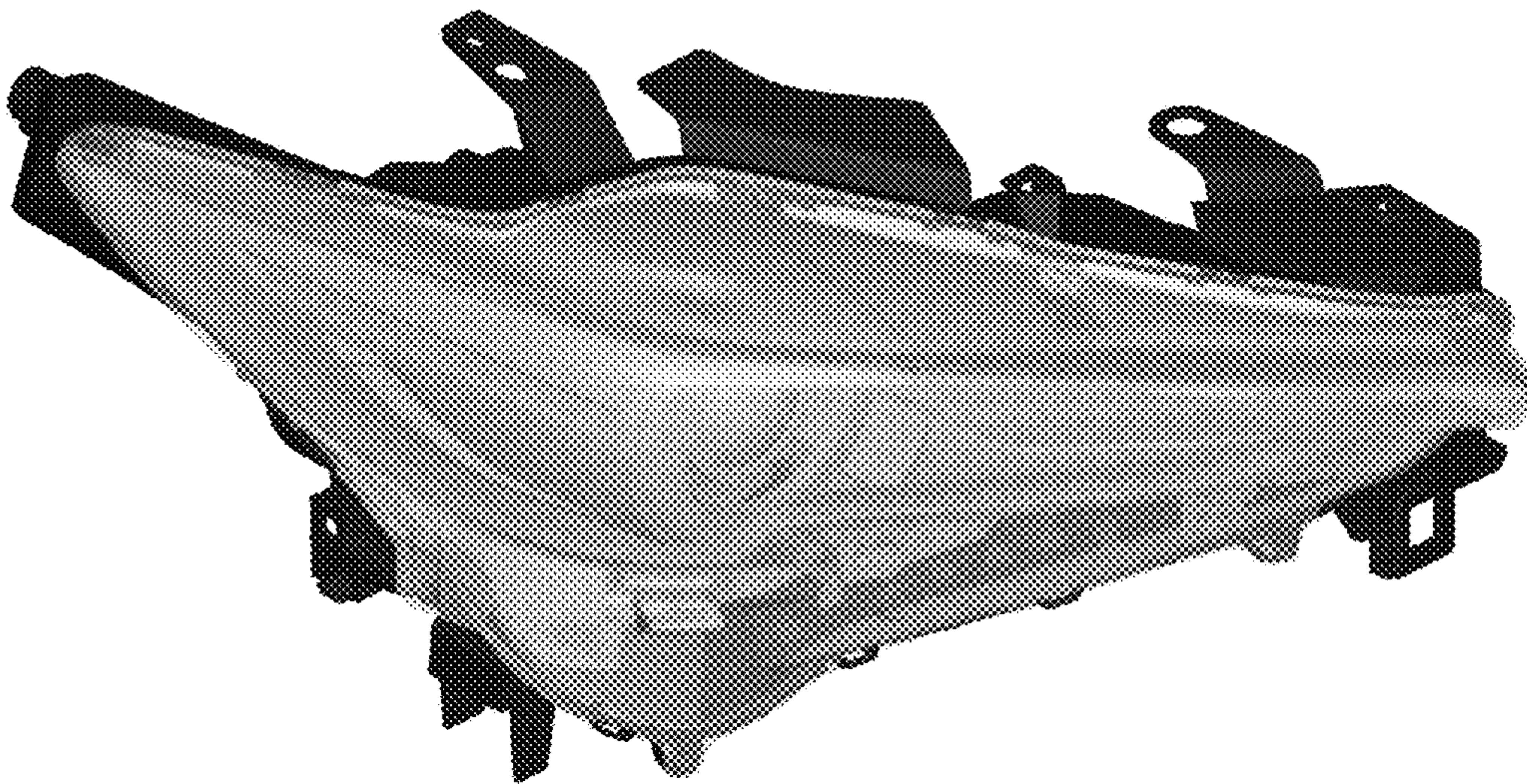


FIG. 2

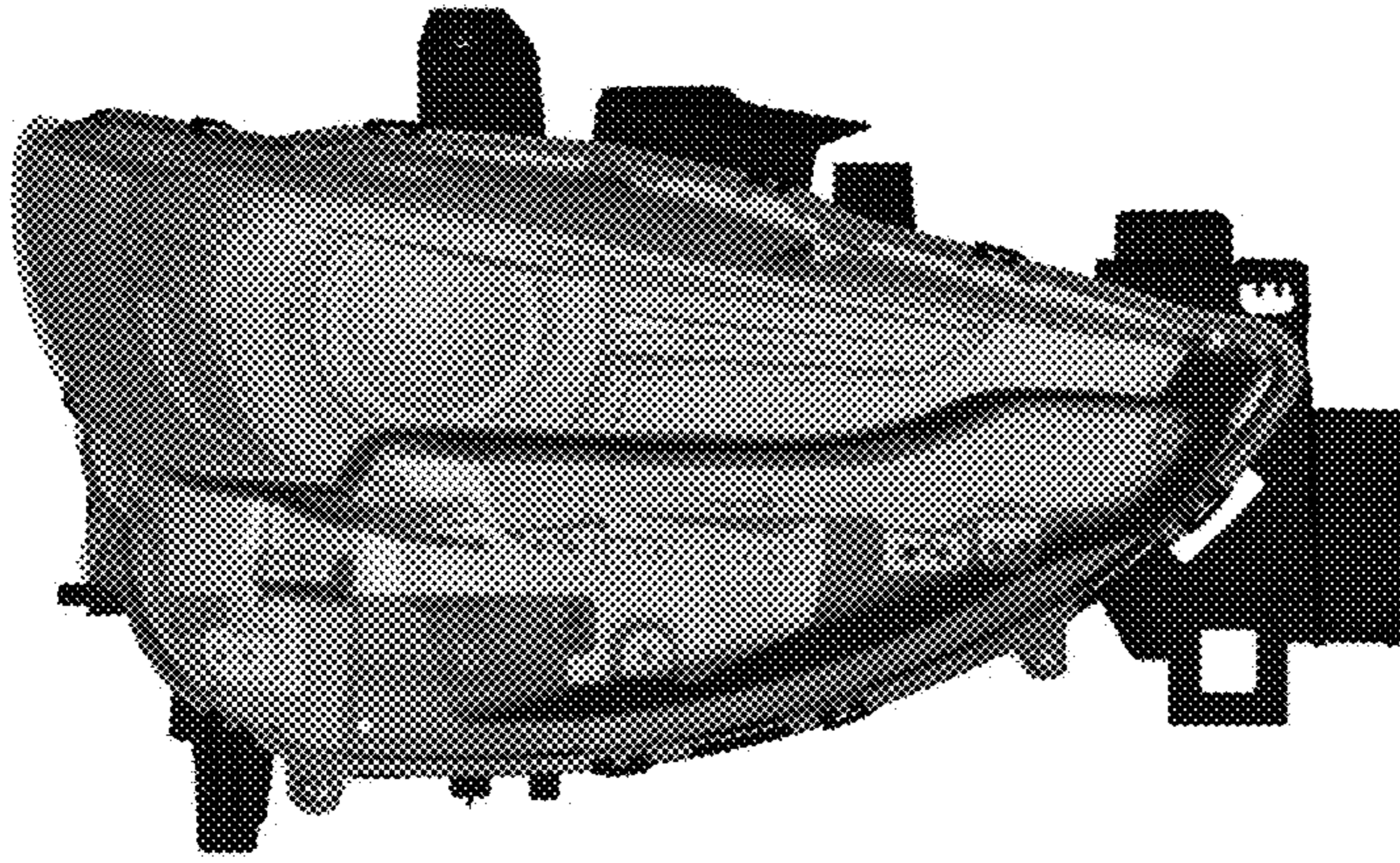


FIG. 3

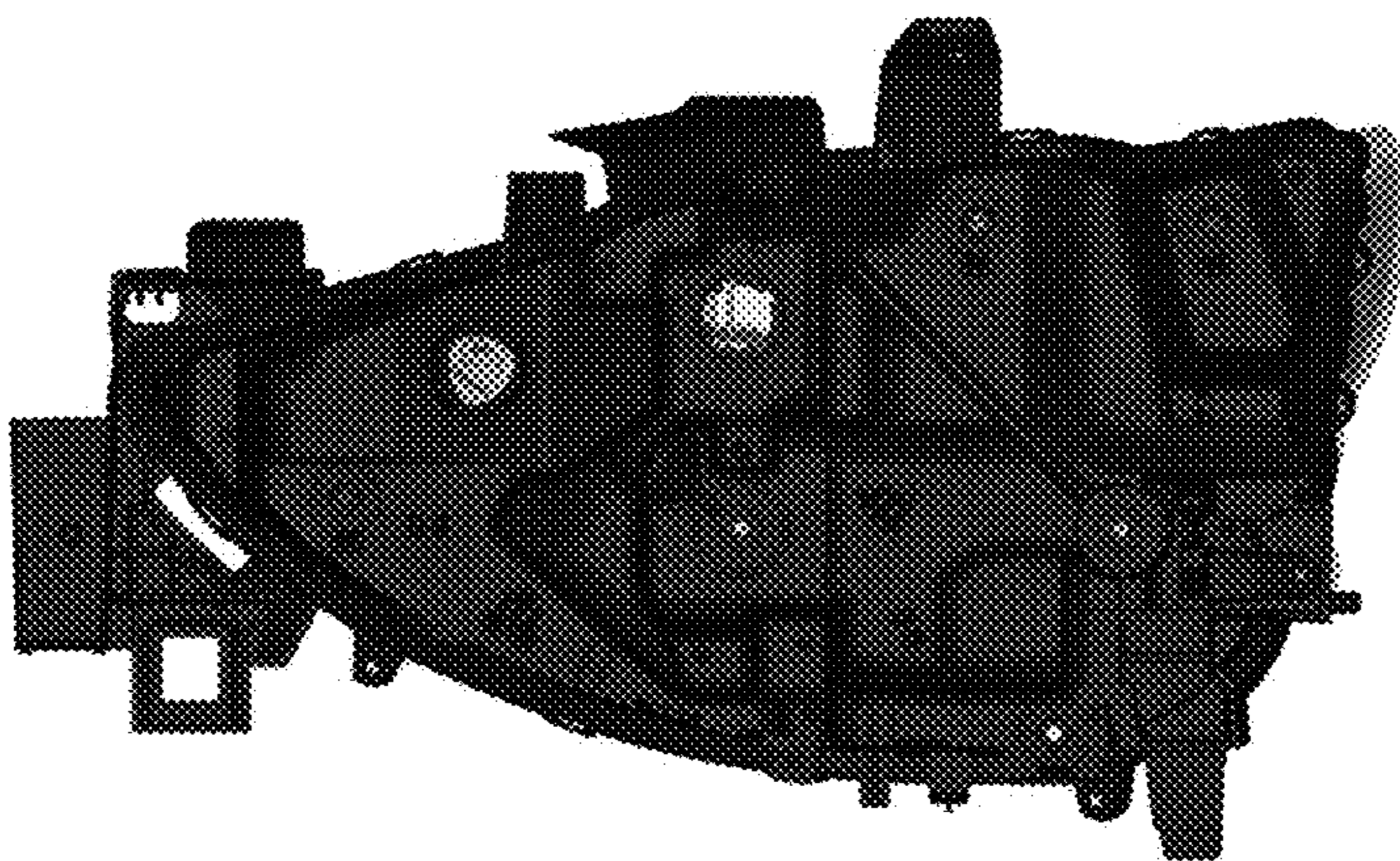


FIG. 4

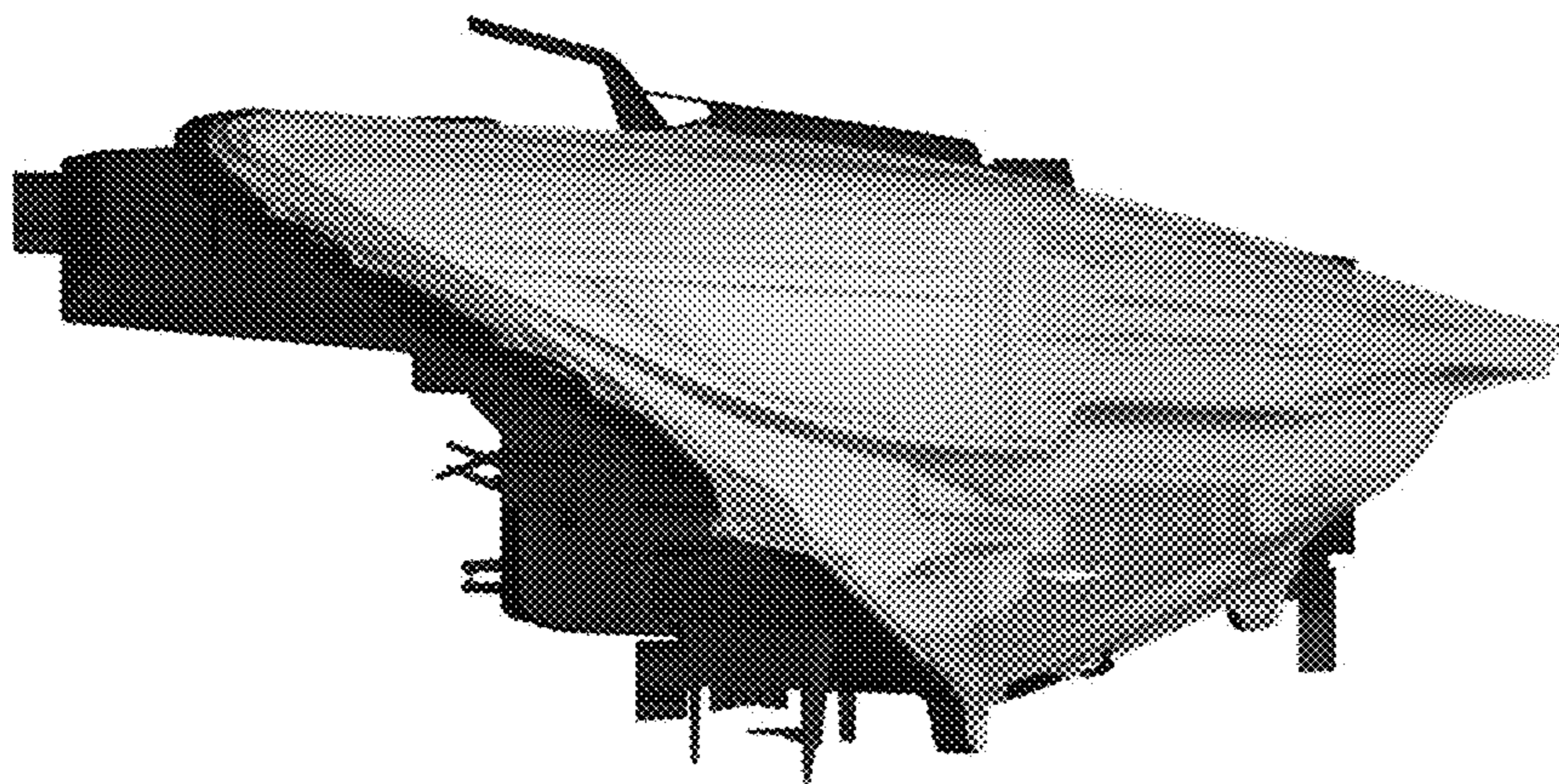


FIG. 5

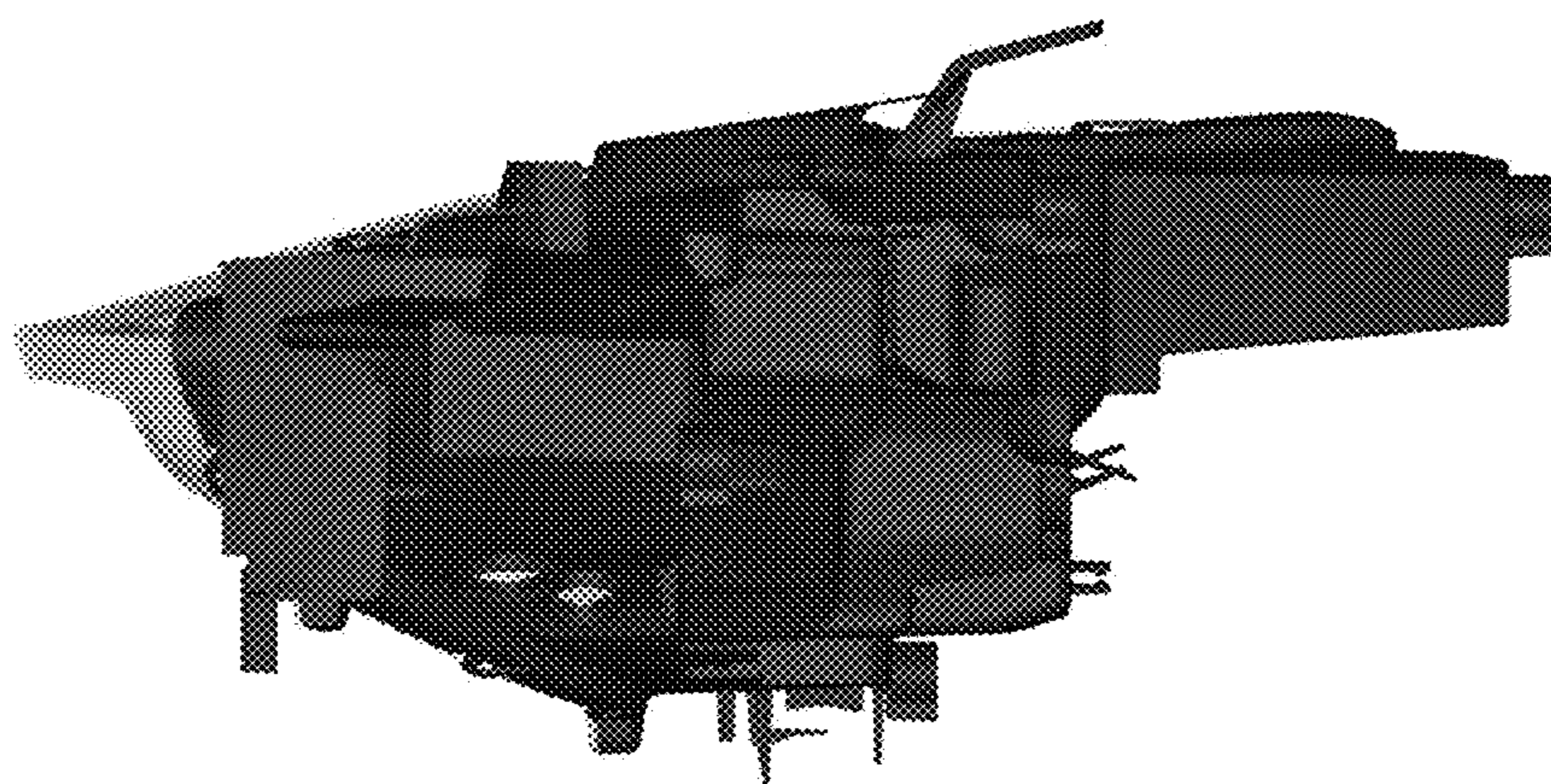


FIG. 6

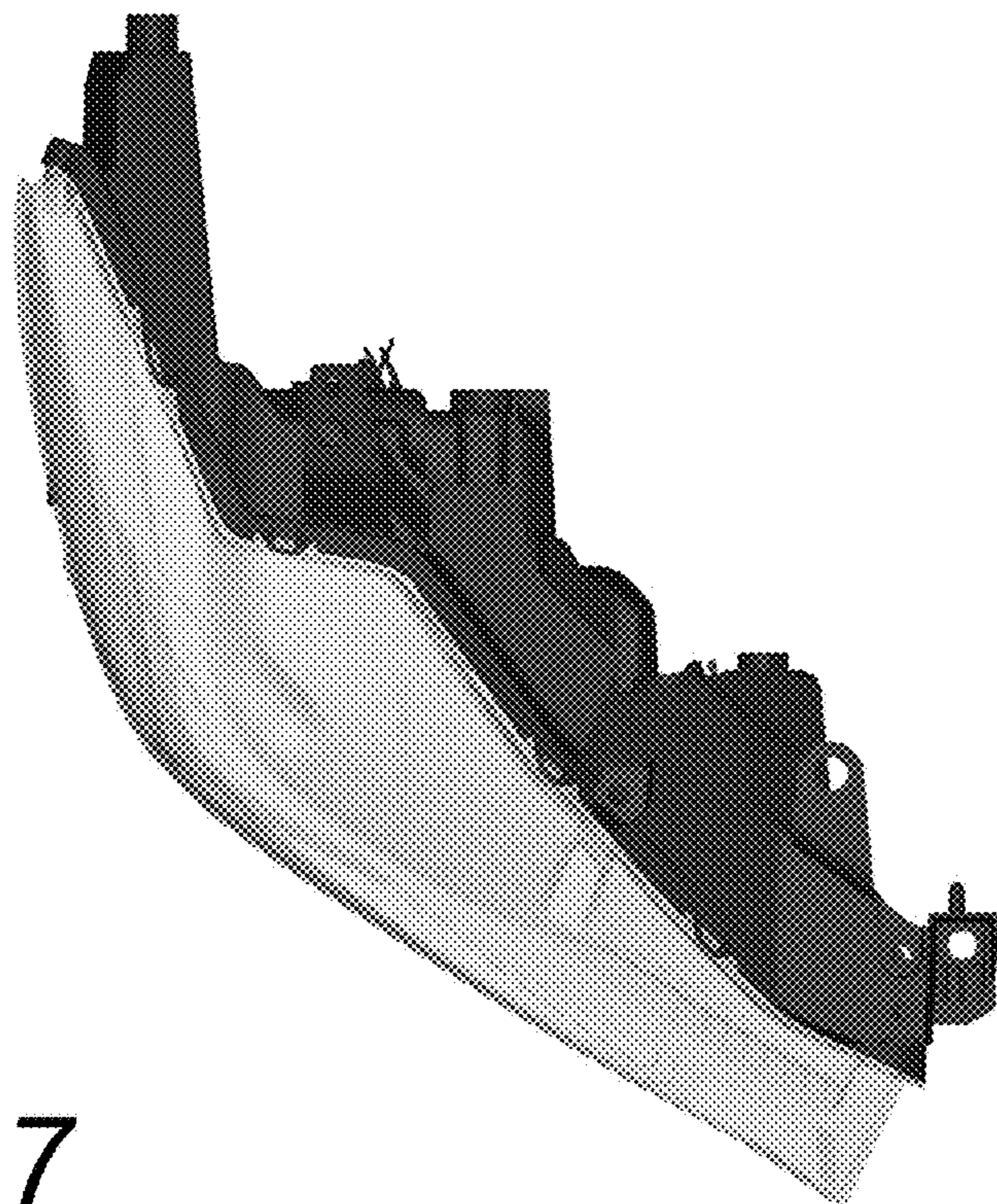


FIG. 7

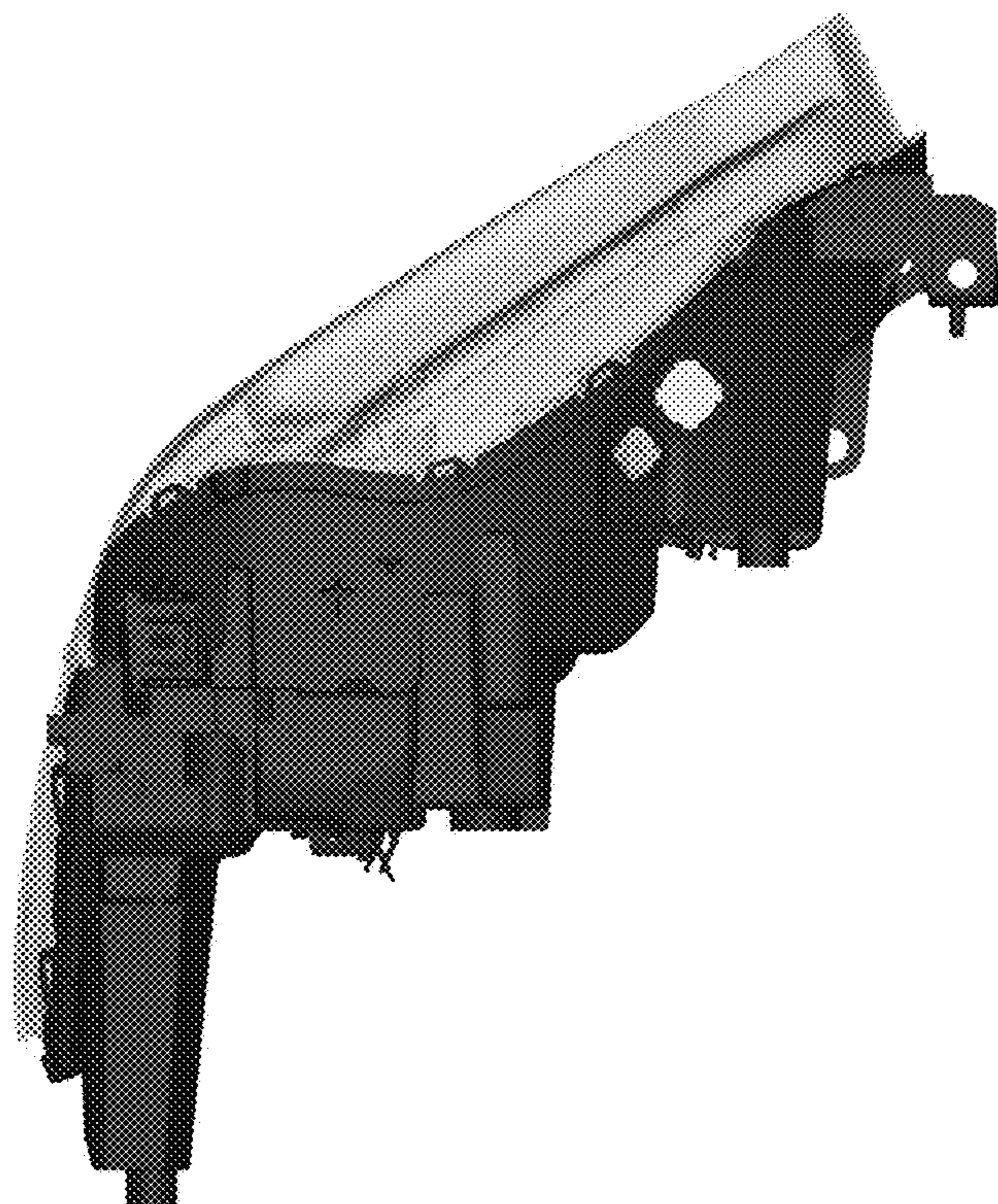


FIG. 8

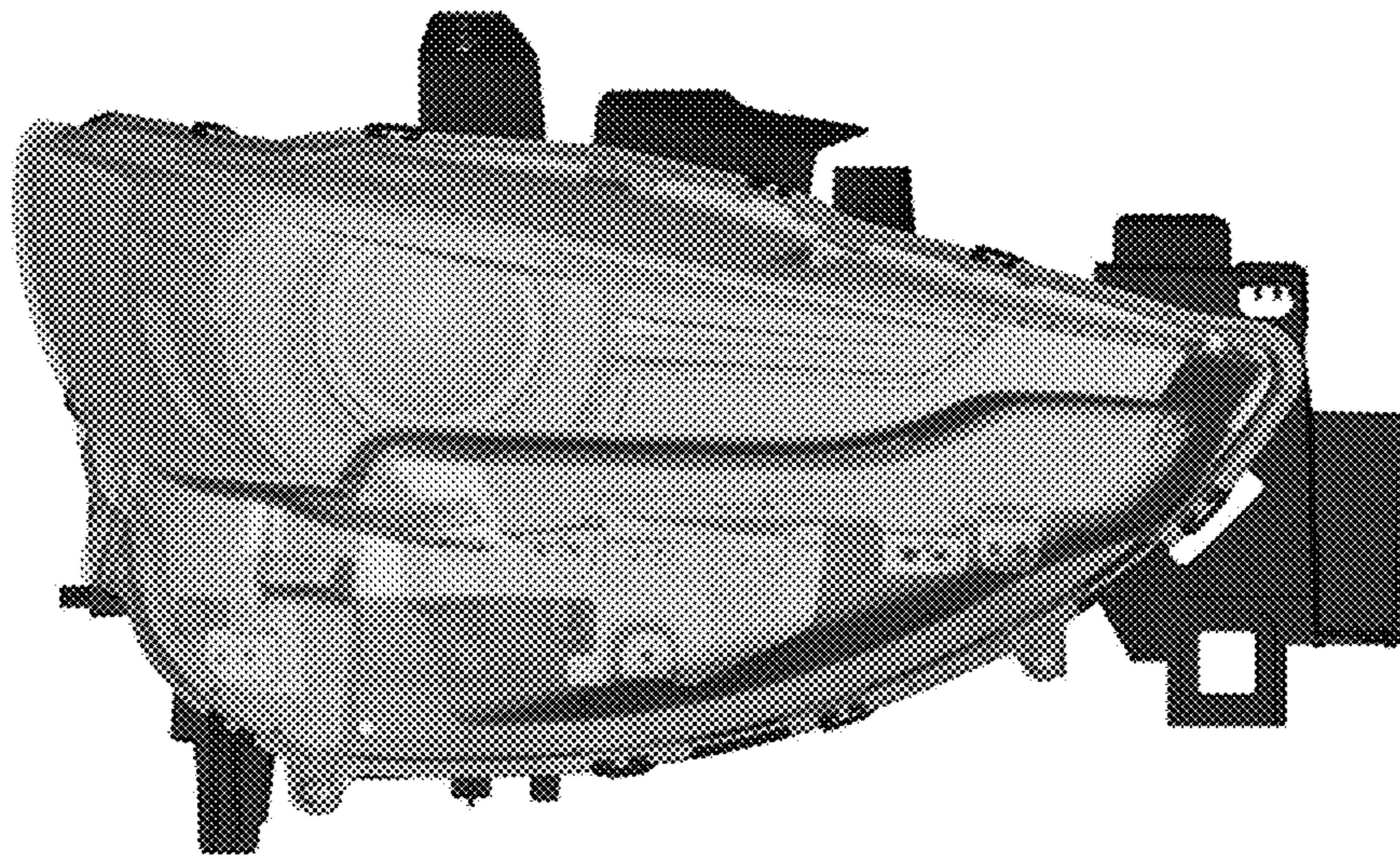


FIG. 9