



US00D807543S

(12) **United States Design Patent**  
**Lin**

(10) **Patent No.:** **US D807,543 S**  
(45) **Date of Patent:** **\*\* Jan. 9, 2018**

(54) **VEHICLE HEADLIGHT**  
(71) Applicant: **KUEN HWA TRAFFIC INDUSTRIAL CO., LTD.**, Tainan (TW)

D690,041 S \* 9/2013 Lai ..... D26/28  
D718,479 S \* 11/2014 Lai ..... D26/28  
D735,911 S \* 8/2015 O'Donnell ..... D26/28  
D743,070 S \* 11/2015 Lai ..... D26/28  
D745,712 S \* 12/2015 O'Donnell ..... D26/28  
D747,518 S \* 1/2016 Lai ..... D26/28  
D761,462 S \* 7/2016 Lai ..... D26/28

(72) Inventor: **Yung-Hsiang Lin**, Tainan (TW)  
(73) Assignee: **Kuen Hwa Traffic Industrial Co., Ltd.**, Tainan (TW)

\* cited by examiner

(\*\*) Term: **15 Years**

*Primary Examiner* — Angela J Lee

(21) Appl. No.: **29/571,342**

(74) *Attorney, Agent, or Firm* — Rosenberg, Klein & Lee

(22) Filed: **Jul. 18, 2016**

(57) **CLAIM**

(51) **LOC (11) Cl.** ..... **26-07**  
(52) **U.S. Cl.**  
USPC ..... **D26/28**

The ornamental design for a vehicle headlight, as shown and described.

(58) **Field of Classification Search**  
USPC ..... D26/28-36; 362/459-468, 475-478, 362/485-487  
CPC ..... F21S 48/00; F21S 48/10; F21S 48/115; F21S 48/225; F21S 48/1233; F21S 48/1266; F21S 48/1388; F21S 48/2268; F21V 21/04  
See application file for complete search history.

**DESCRIPTION**

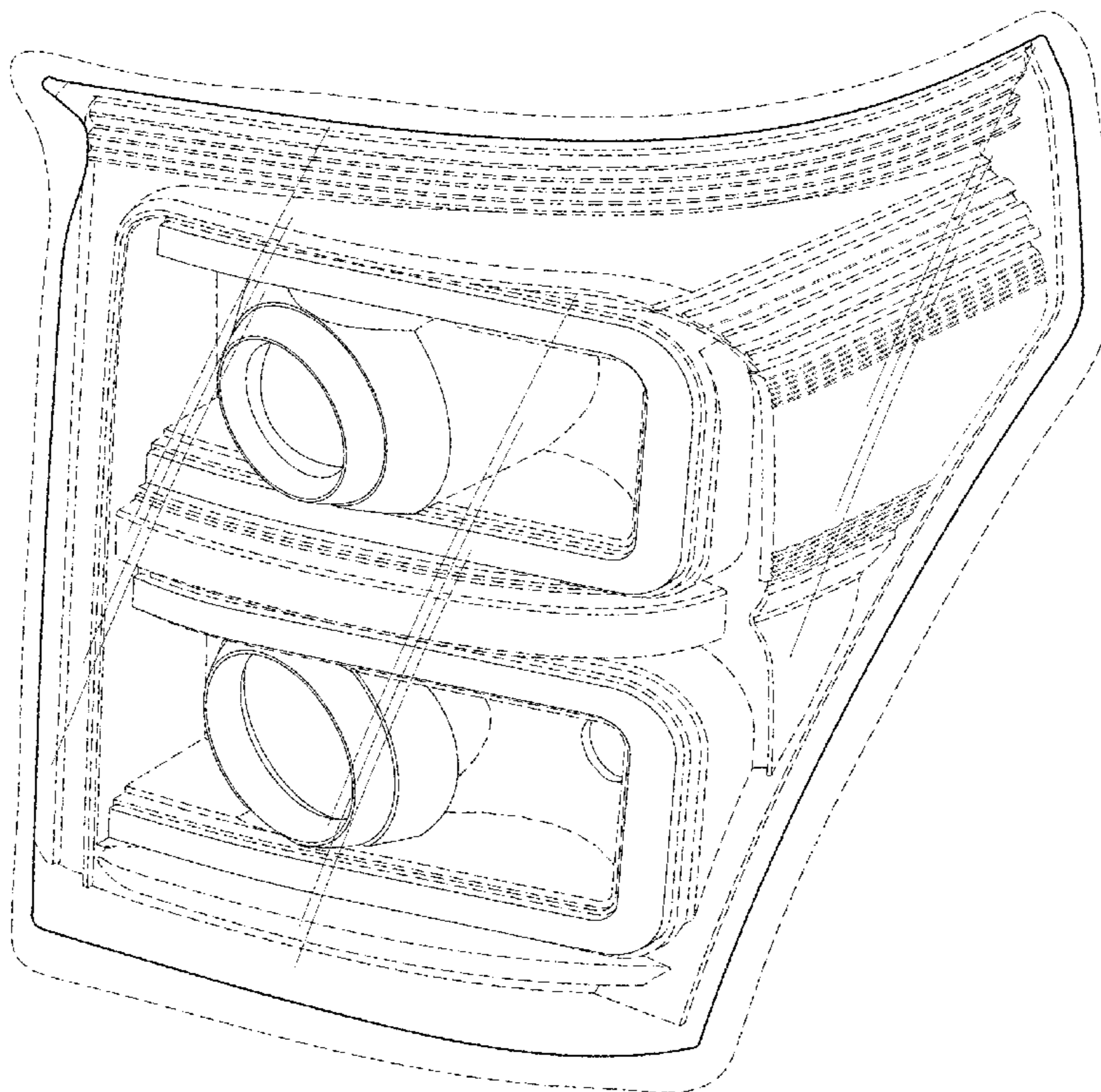
(56) **References Cited**

FIG. 1 is a perspective view of a vehicle headlight showing my present design;  
FIG. 2 is a front view thereof;  
FIG. 3 is a right view thereof;  
FIG. 4 is a top plan view thereof; and,  
FIG. 5 is another perspective view thereof.  
The broken lines in the drawings illustrate portions of the vehicle headlight which form no part of the claimed design.

**U.S. PATENT DOCUMENTS**

D497,016 S \* 10/2004 Wu ..... D26/28  
D595,880 S \* 7/2009 Lamm ..... D26/28

**1 Claim, 5 Drawing Sheets**



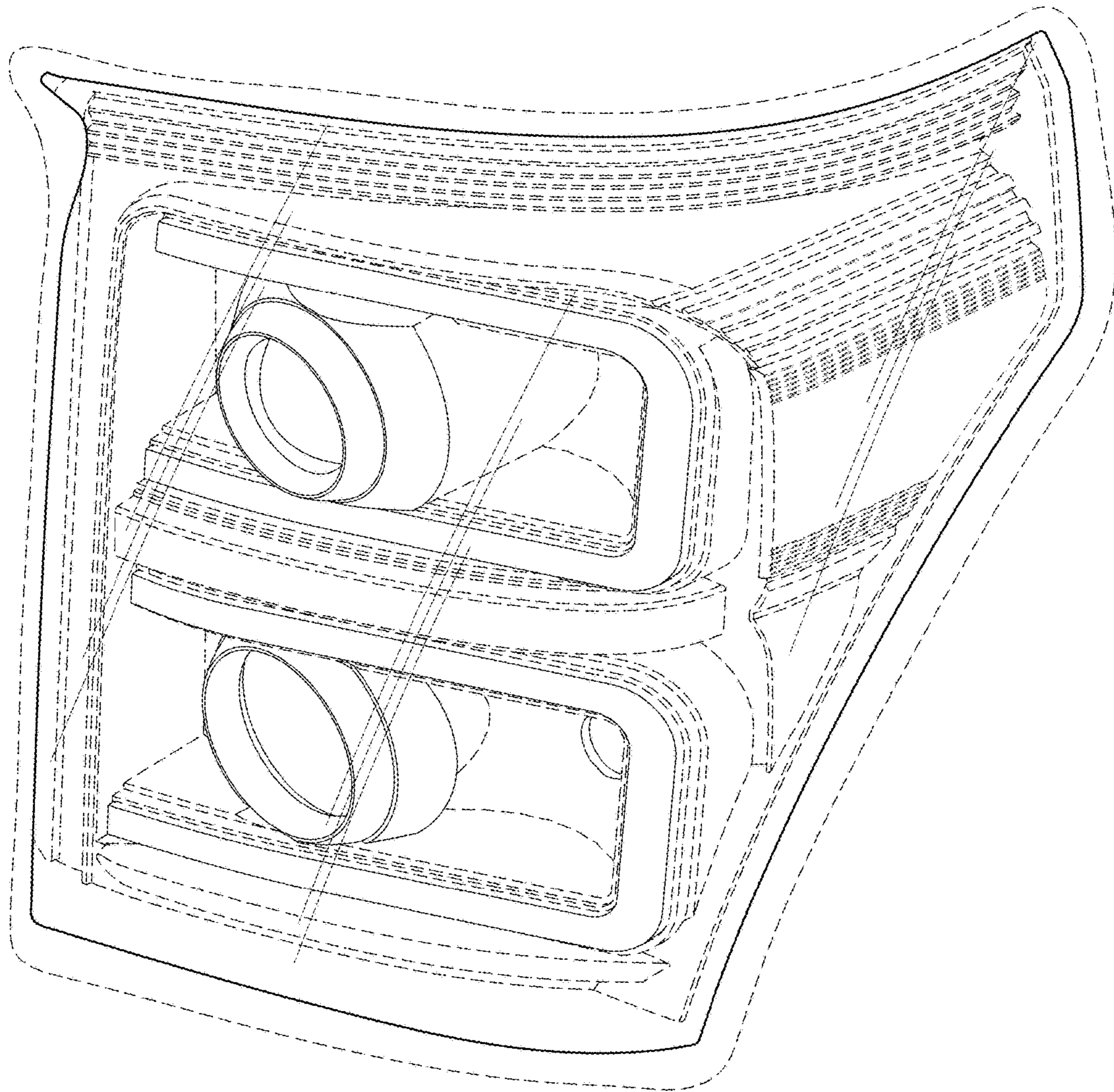


FIG. 1

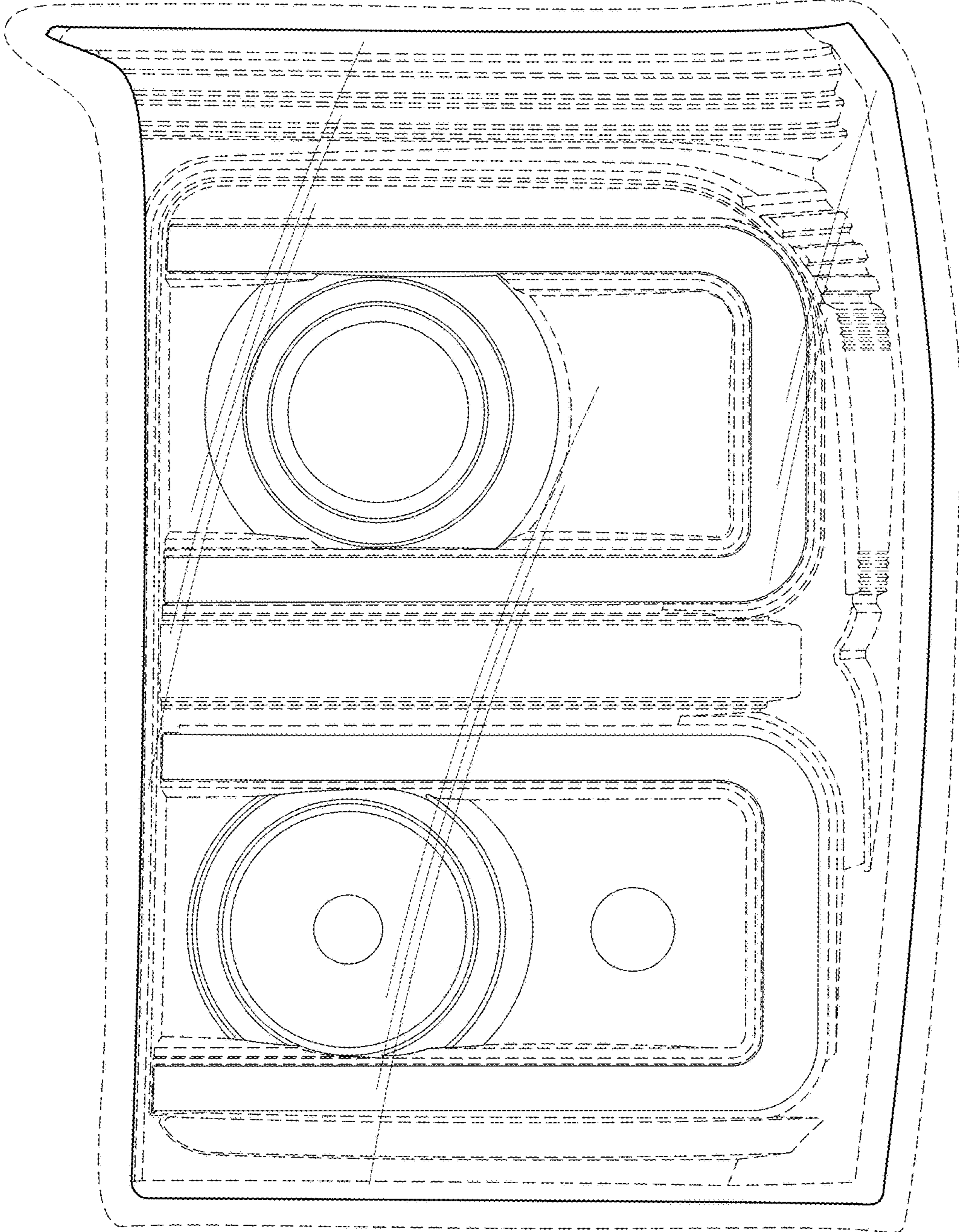


FIG. 2

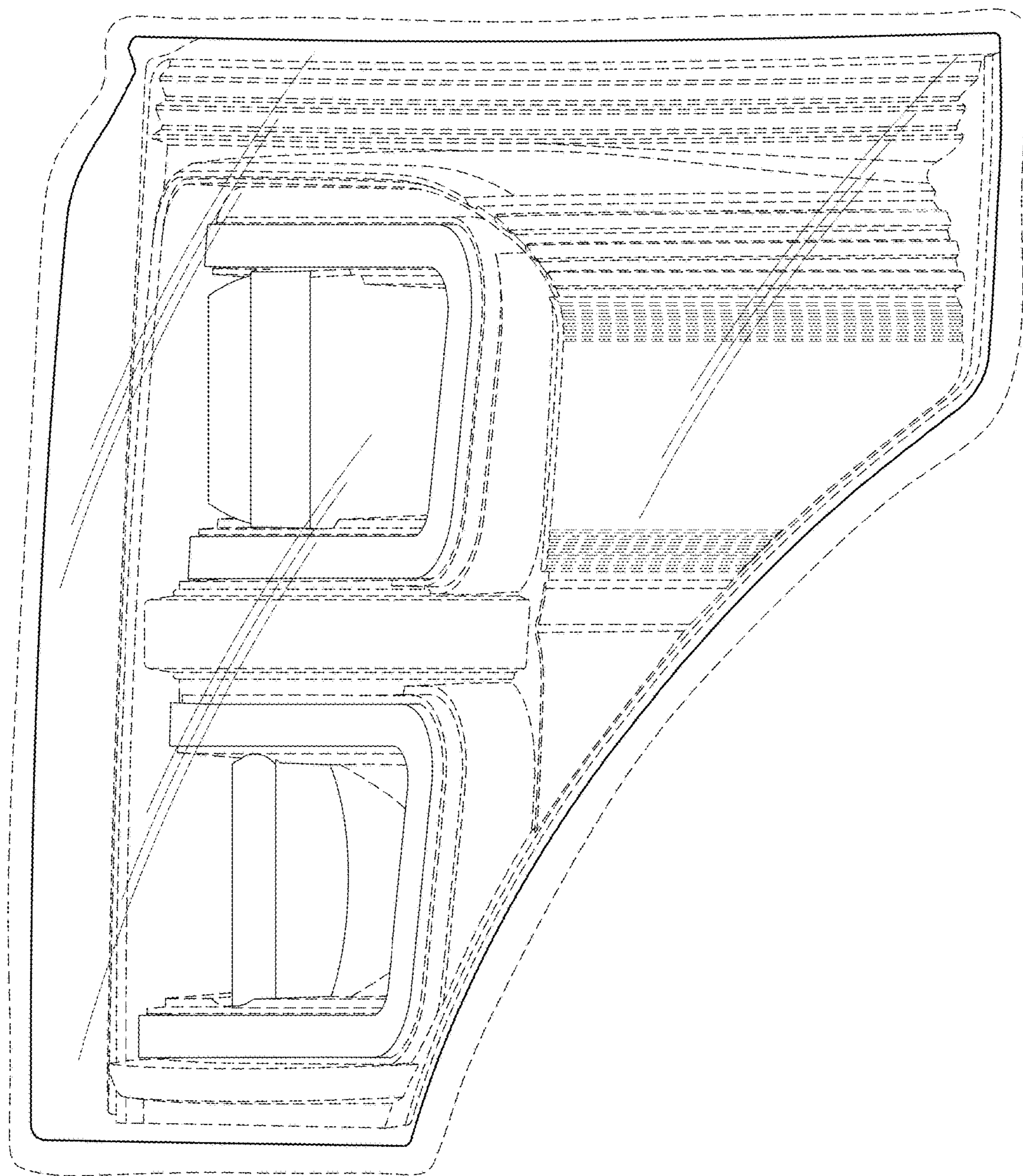


FIG. 3

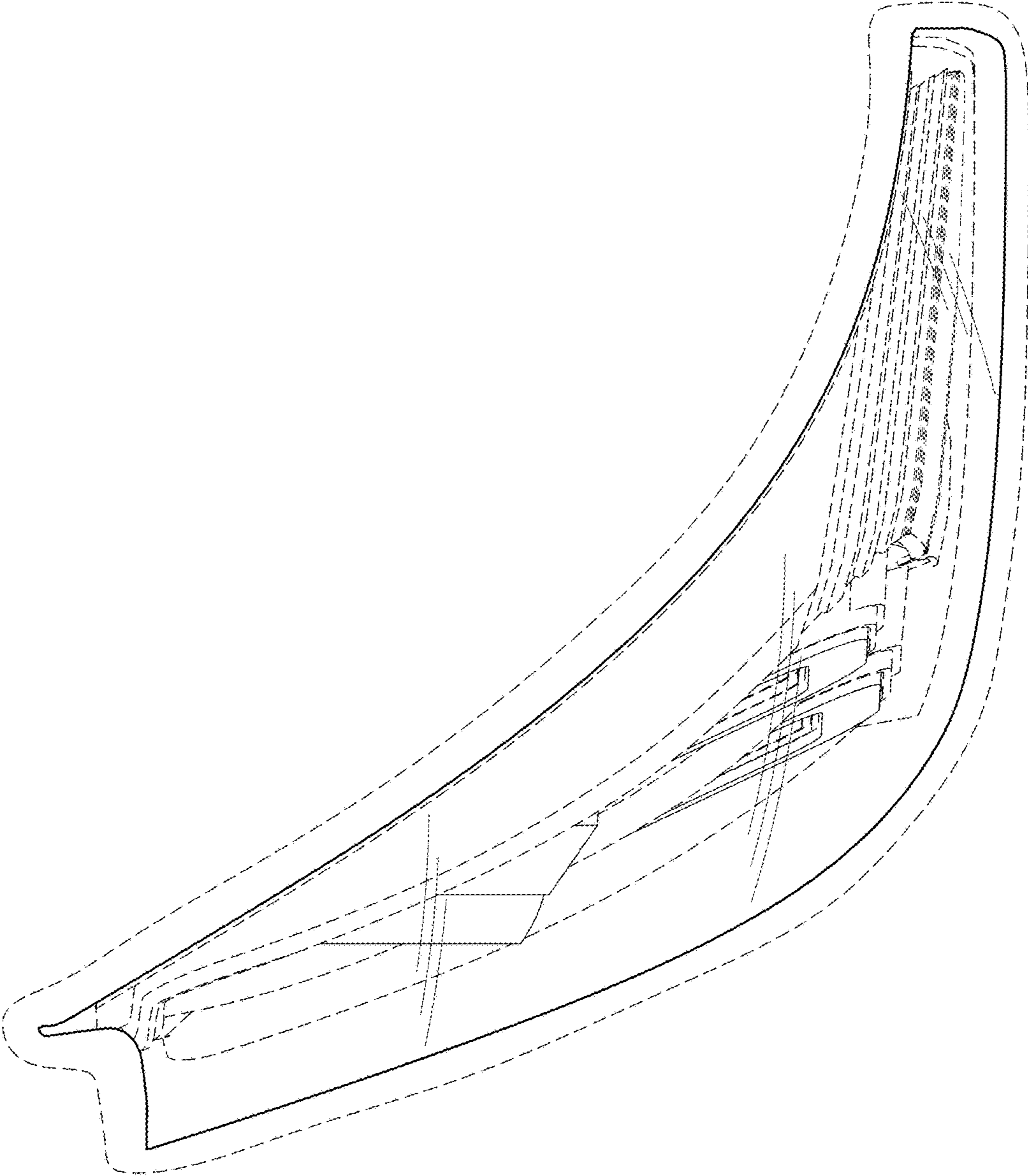


FIG . 4

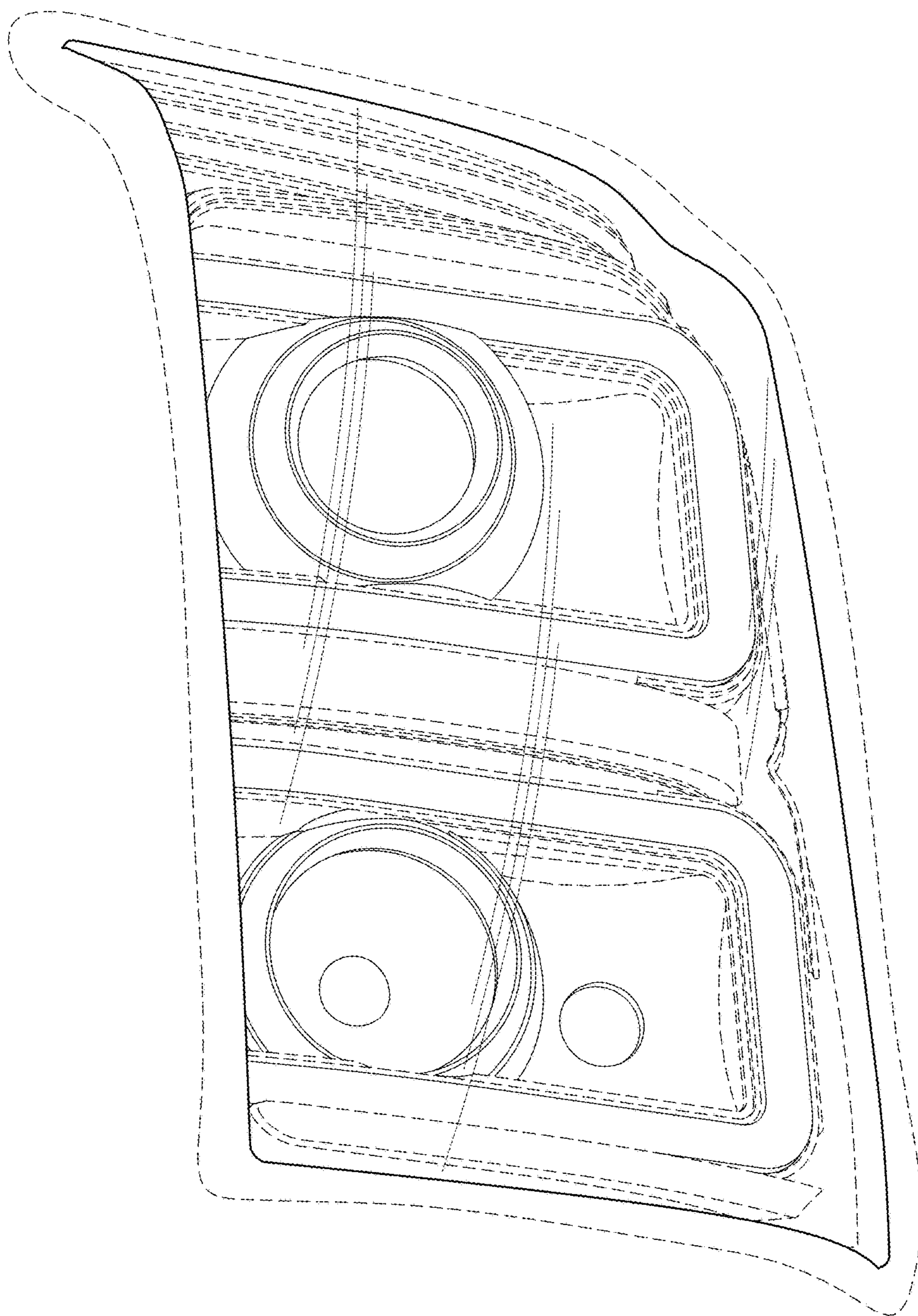


FIG. 5