



US00D807541S

(12) **United States Design Patent** (10) **Patent No.:** **US D807,541 S**  
**Soofer** (45) **Date of Patent:** **\*\* Jan. 9, 2018**

(54) **STRIP LIGHT**  
(71) Applicant: **Alpine Corporation**, Commerce (CA)  
(72) Inventor: **Sohrab Soofer**, Beverly Hills, CA (US)  
(\*\*) Term: **15 Years**  
(21) Appl. No.: **29/563,116**  
(22) Filed: **May 2, 2016**

D388,198 S \* 12/1997 Weber ..... D26/27  
D513,332 S \* 12/2005 Ip ..... D26/27  
7,021,782 B1 \* 4/2006 Yerian ..... A01K 63/06  
362/101  
D520,152 S \* 5/2006 Ip ..... D26/27  
D556,934 S \* 12/2007 Sanoner ..... D26/27  
D577,837 S \* 9/2008 Cole ..... D26/25  
D622,438 S \* 8/2010 Sasada ..... D26/113  
D623,321 S \* 9/2010 Levine ..... D26/25  
D651,329 S \* 12/2011 Bonang ..... D12/114  
D679,428 S \* 4/2013 Bonang ..... D26/27  
D799,355 S \* 10/2017 Riffner ..... D10/111

\* cited by examiner

**Related U.S. Application Data**

(63) Continuation-in-part of application No. 14/475,480, filed on Sep. 2, 2014.

*Primary Examiner* — Angela J Lee

(74) *Attorney, Agent, or Firm* — Payam Moradian

(51) **LOC (11) Cl.** ..... **26-05**

(52) **U.S. Cl.**  
USPC ..... **D26/27**

(57) **CLAIM**

I claim the ornamental design for a strip light, as shown and described.

(58) **Field of Classification Search**  
USPC ..... D26/26, 24, 113, 118, 119, 120, 5, 6, 7;  
D23/366, 367, 369; 362/640, 641, 642,  
362/643, 644, 650, 651, 652, 653, 659,  
362/554, 556, 581, 511  
CPC ..... F21S 8/035; F21S 10/005; F21V 23/06;  
F21V 23/0442; F21W 2121/00; H01R  
2103/00; G02B 6/0008; G02B 6/04;  
G02B 6/02; G02B 6/0006

**DESCRIPTION**

FIG. 1 is a top perspective view of a strip light;  
FIG. 2 is an elevational right view thereof;  
FIG. 3 is a left elevational view thereof;  
FIG. 4 is a front elevational view thereof;  
FIG. 5 is a back elevational view thereof;  
FIG. 6 is a top plan view thereof; and,  
FIG. 7 is a bottom plan view thereof.  
The broken lines shown in FIG. 7 illustrate portions of the strip light that form no part of the claimed design.

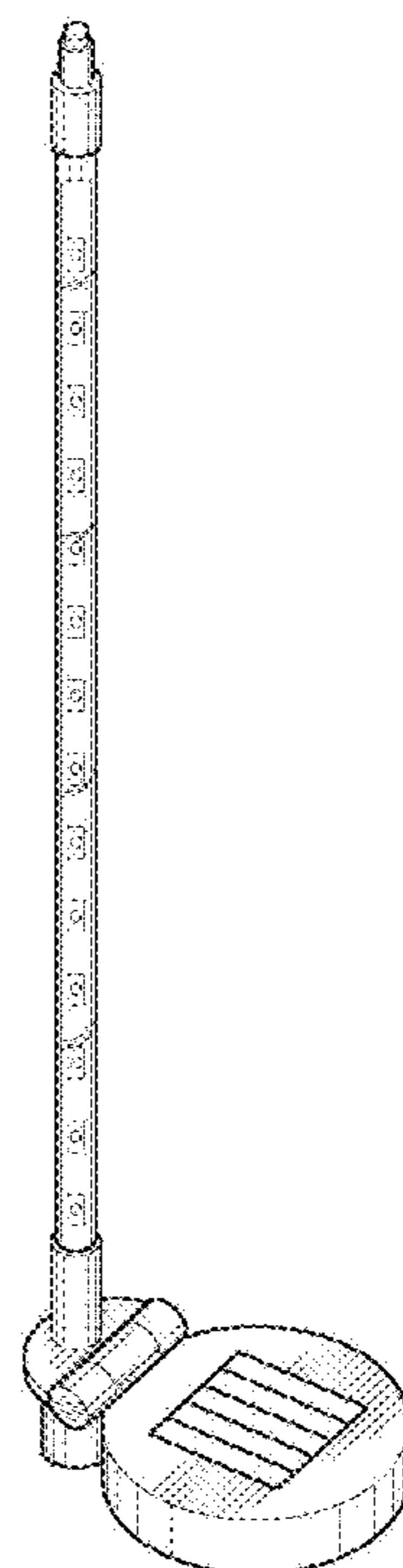
See application file for complete search history.

(56) **References Cited**

**U.S. PATENT DOCUMENTS**

D283,253 S \* 4/1986 Kamei ..... D26/26  
D380,058 S \* 6/1997 Kane ..... D26/24

**1 Claim, 4 Drawing Sheets**



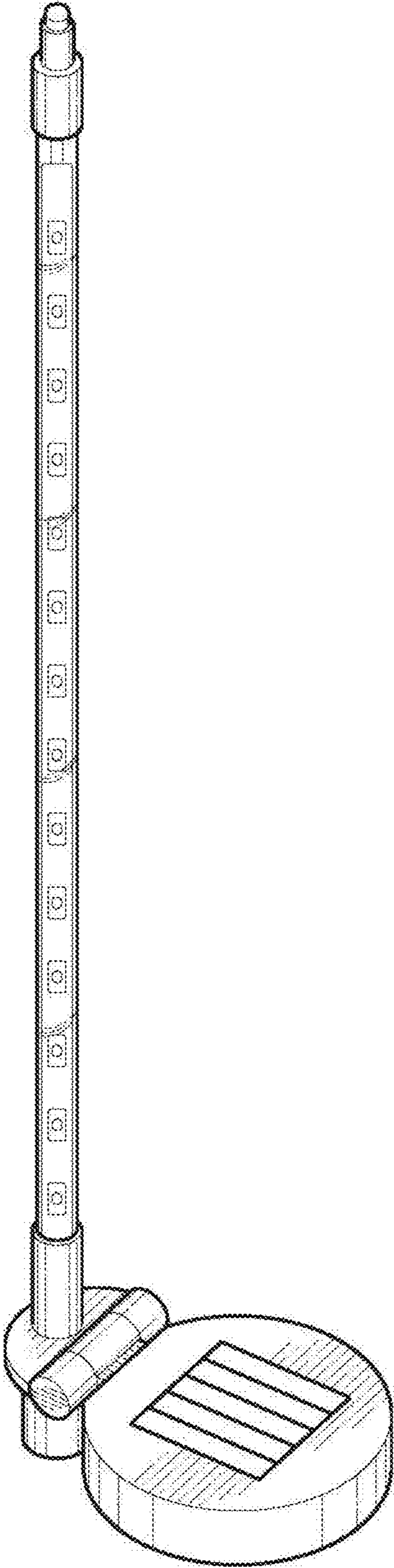


FIG. 1

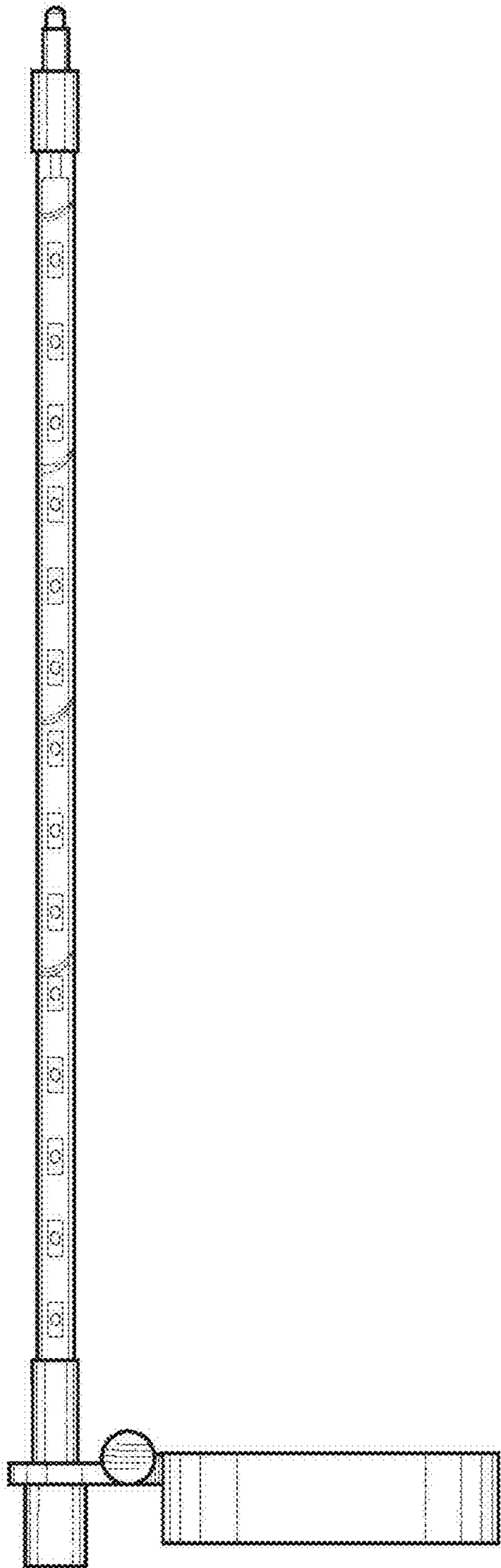


FIG. 2

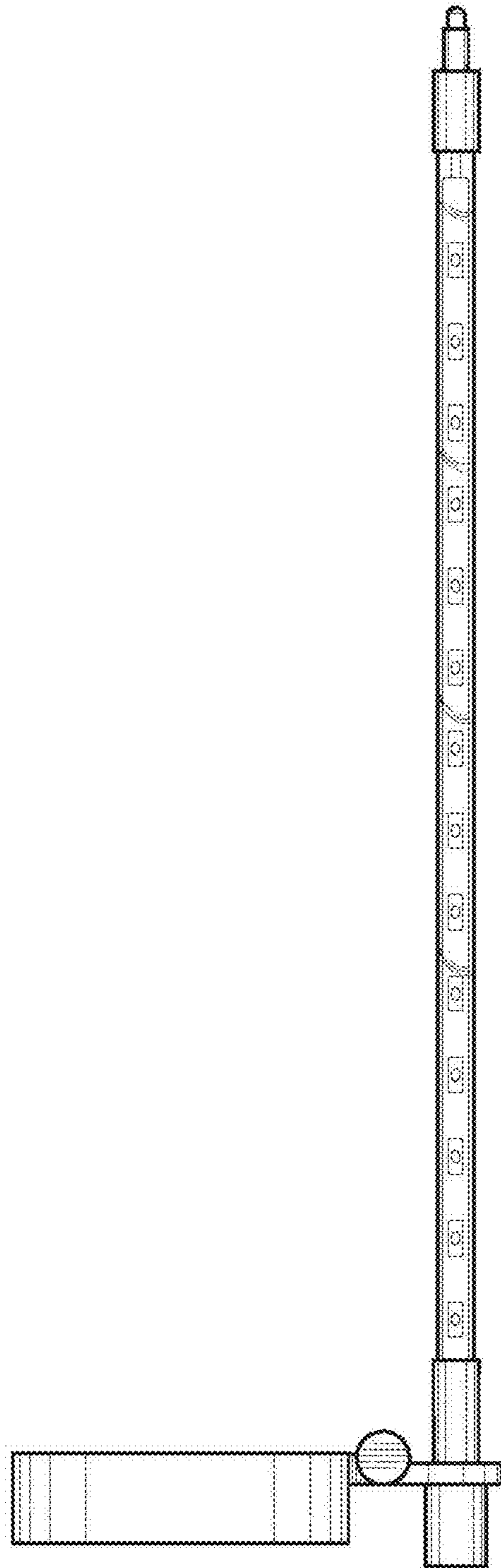


FIG. 3

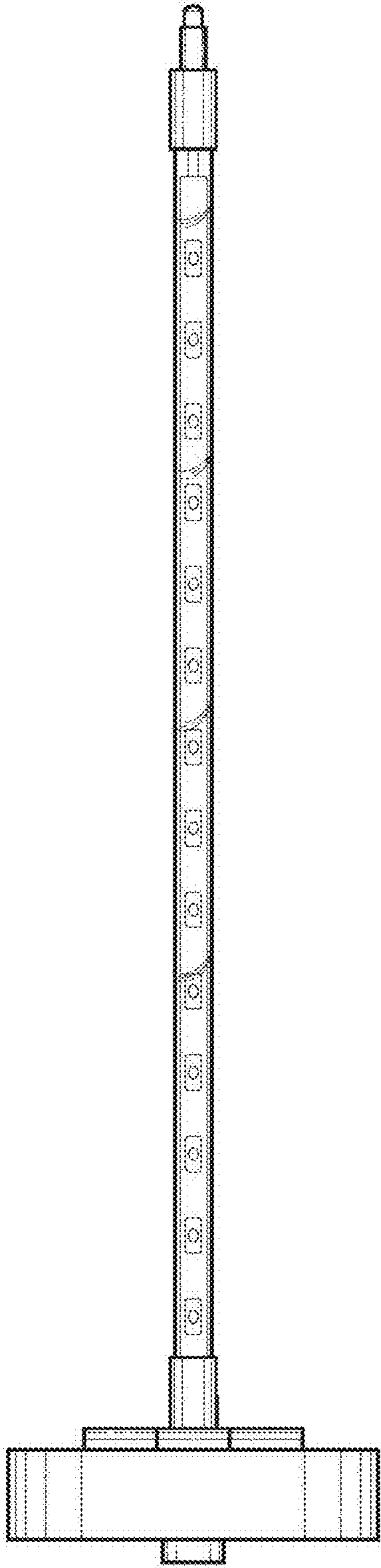


FIG. 4

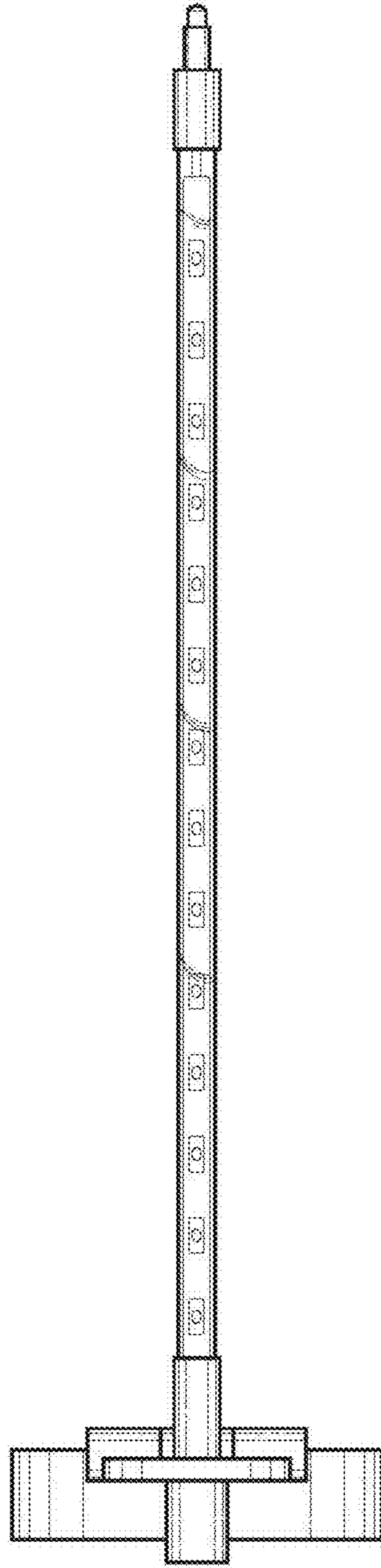


FIG. 5

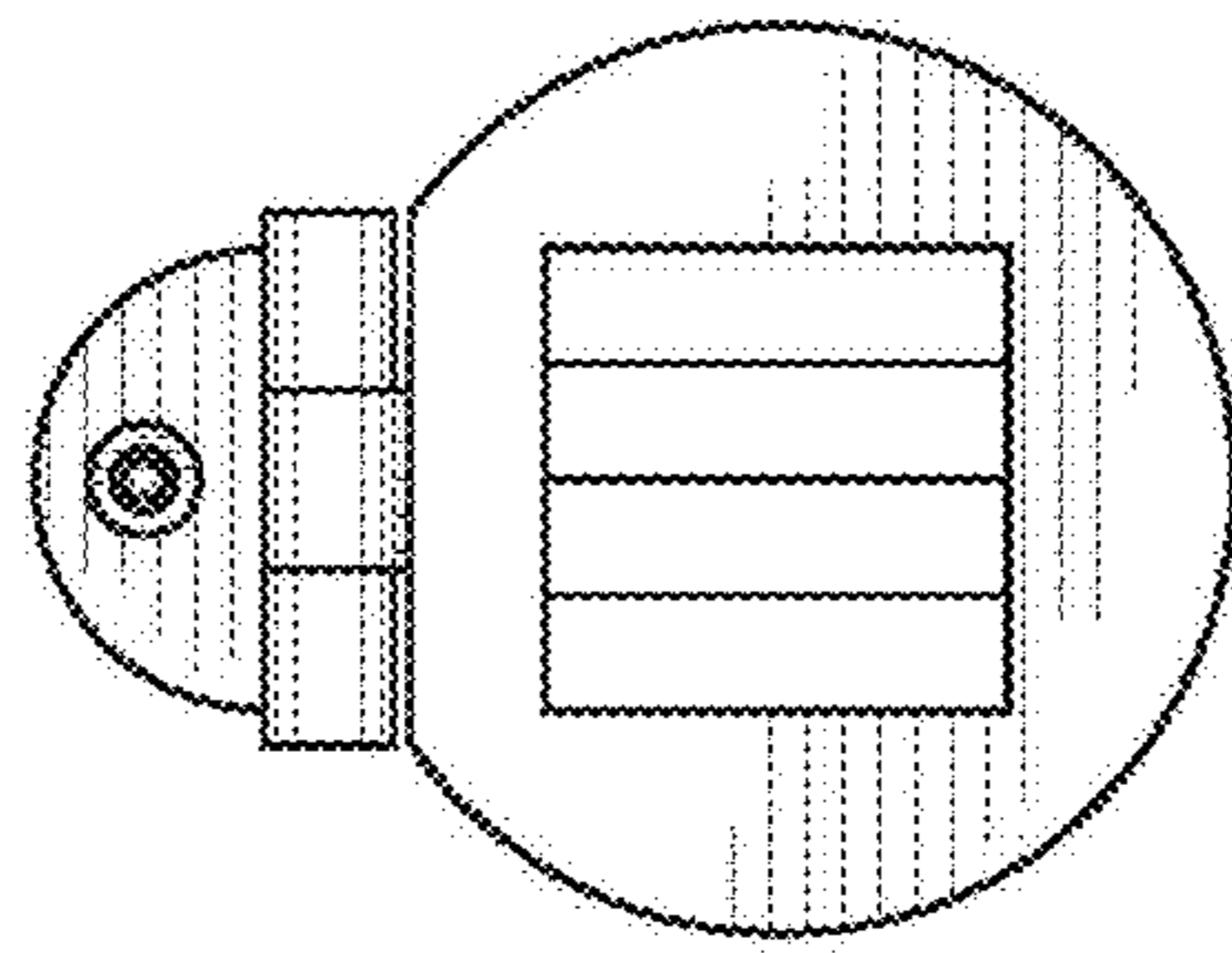


FIG. 6

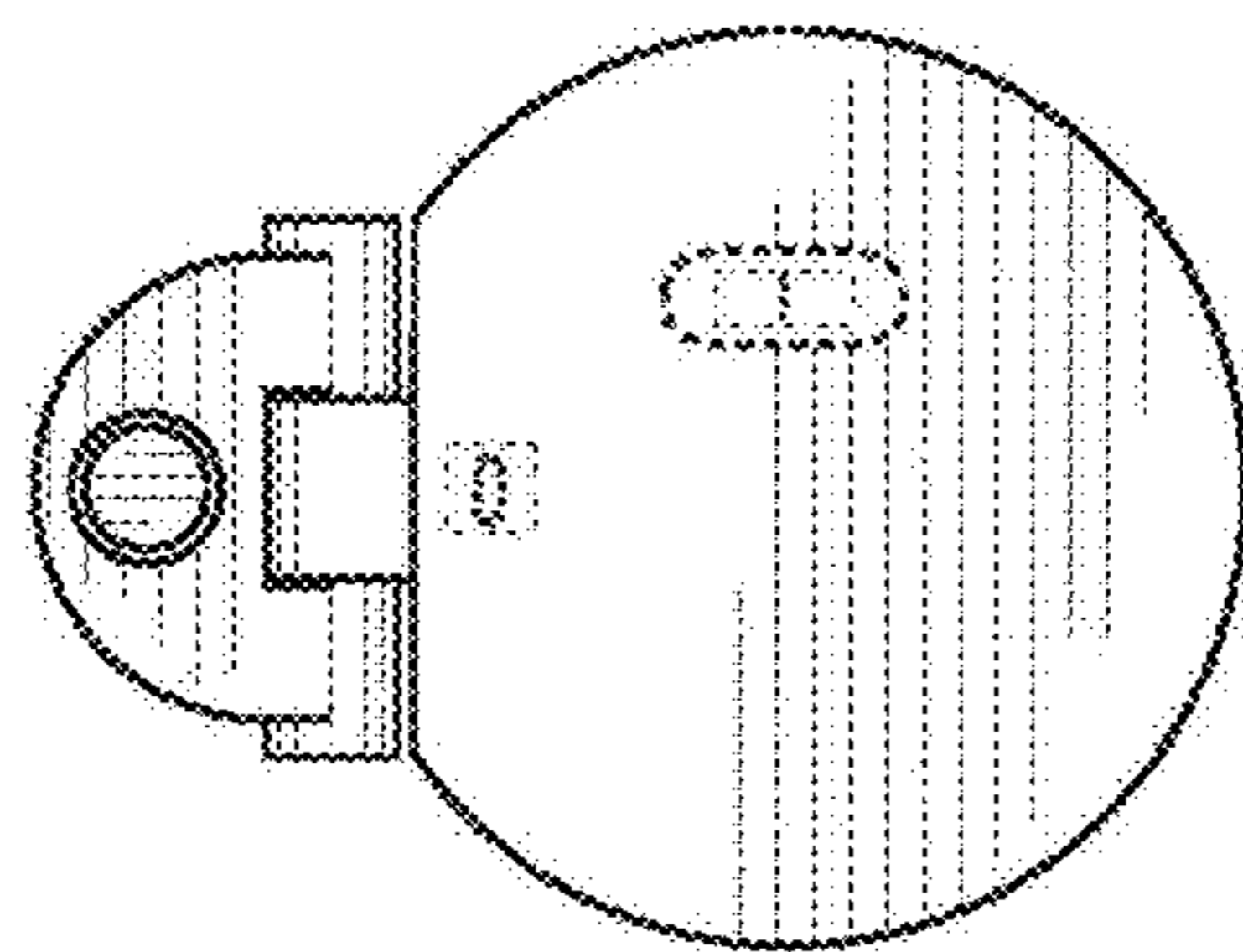


FIG. 7