



US00D807540S

(12) **United States Design Patent**
Soofer

(10) **Patent No.:** **US D807,540 S**
(45) **Date of Patent:** **** Jan. 9, 2018**

- (54) **FIBER OPTIC LIGHT**
- (71) Applicant: **Alpine Corporation**, Commerce, CA (US)
- (72) Inventor: **Sohrab Soofer**, Beverly Hills, CA (US)
- (**) Term: **15 Years**
- (21) Appl. No.: **29/563,110**
- (22) Filed: **May 2, 2016**

D388,198 S *	12/1997	Weber	D26/27
D513,332 S *	12/2005	Ip	D26/27
7,021,782 B1 *	4/2006	Yerian	A01K 63/06 362/101
D520,152 S *	5/2006	Ip	D26/27
D556,934 S *	12/2007	Sanoner	D26/27
D577,837 S *	9/2008	Cole	D26/25
D622,438 S *	8/2010	Sasada	D26/113
D623,321 S *	9/2010	Levine	D26/25
D651,329 S *	12/2011	Bonang	D12/114
D679,428 S *	4/2013	Bonang	D26/27
D799,355 S *	10/2017	Riffner	D10/111

* cited by examiner

Related U.S. Application Data

- (63) Continuation-in-part of application No. 14/475,480, filed on Sep. 2, 2014.

Primary Examiner — Angela J Lee

(74) *Attorney, Agent, or Firm* — Payam Moradian

(51) **LOC (11) Cl.** **26-05**

(52) **U.S. Cl.**
USPC **D26/27**

(57) **CLAIM**

I claim the ornamental design for a fiber optic light, as shown and described.

(58) **Field of Classification Search**
USPC D26/26, 24, 113, 118, 119, 120, 5, 6, 7;
D23/366, 367, 369; 362/640, 641, 642,
362/643, 644, 650, 651, 652, 653, 659,
362/554, 556, 581, 511
CPC F21S 8/035; F21S 10/005; F21V 23/06;
F21V 23/0442; F21W 2121/00; H01R
2103/00; G02B 6/0008; G02B 6/04;
G02B 6/02; G02B 6/0006
See application file for complete search history.

DESCRIPTION

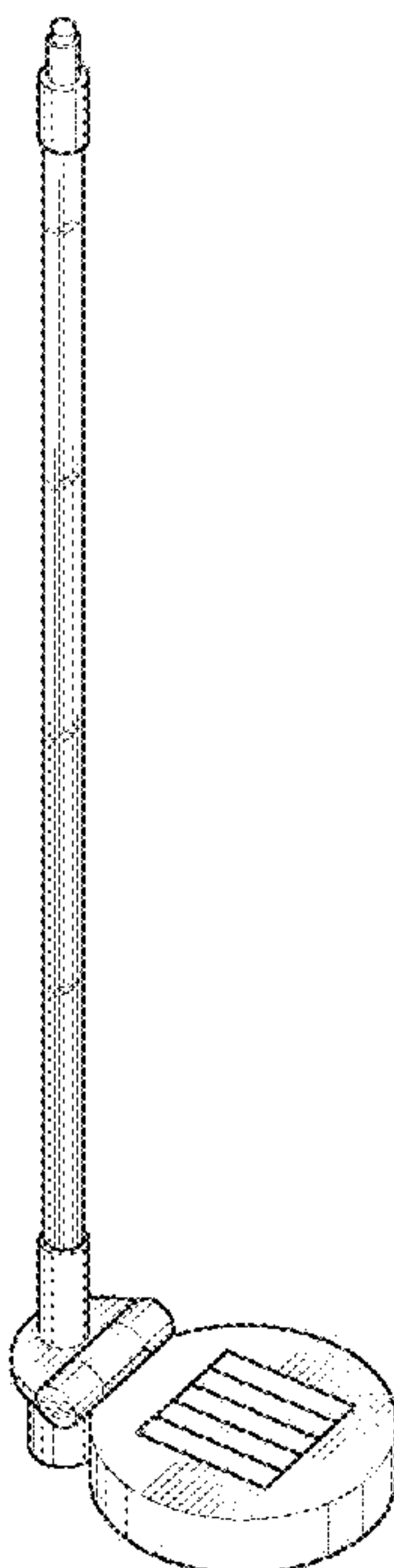
FIG. 1 is a top perspective view of a fiber optic light;
FIG. 2 is An elevational right view thereof;
FIG. 3 is a left elevational view thereof;
FIG. 4 is a front elevational view thereof;
FIG. 5 is a back elevational view thereof;
FIG. 6 is a top plan view thereof; and,
FIG. 7 is a bottom plan view thereof.
The broken lines shown in FIG. 7 illustrate portions of the fiber optic light that form no part of the claimed design.

(56) **References Cited**

U.S. PATENT DOCUMENTS

D283,253 S *	4/1986	Kamei	D26/26
D380,058 S *	6/1997	Kane	D26/24

1 Claim, 4 Drawing Sheets



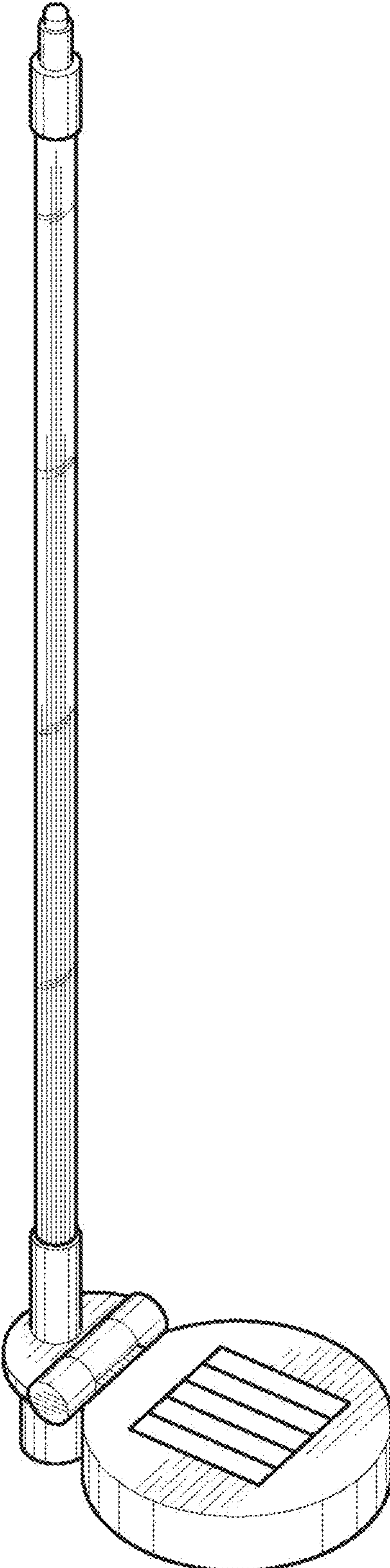


FIG. 1

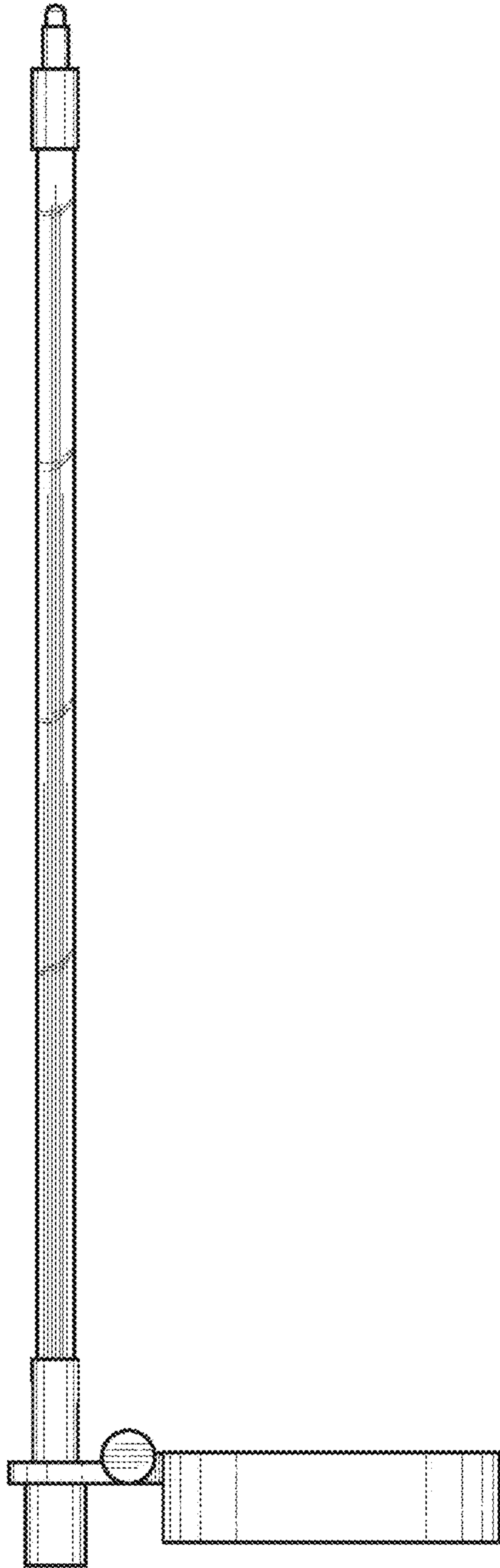


FIG. 2

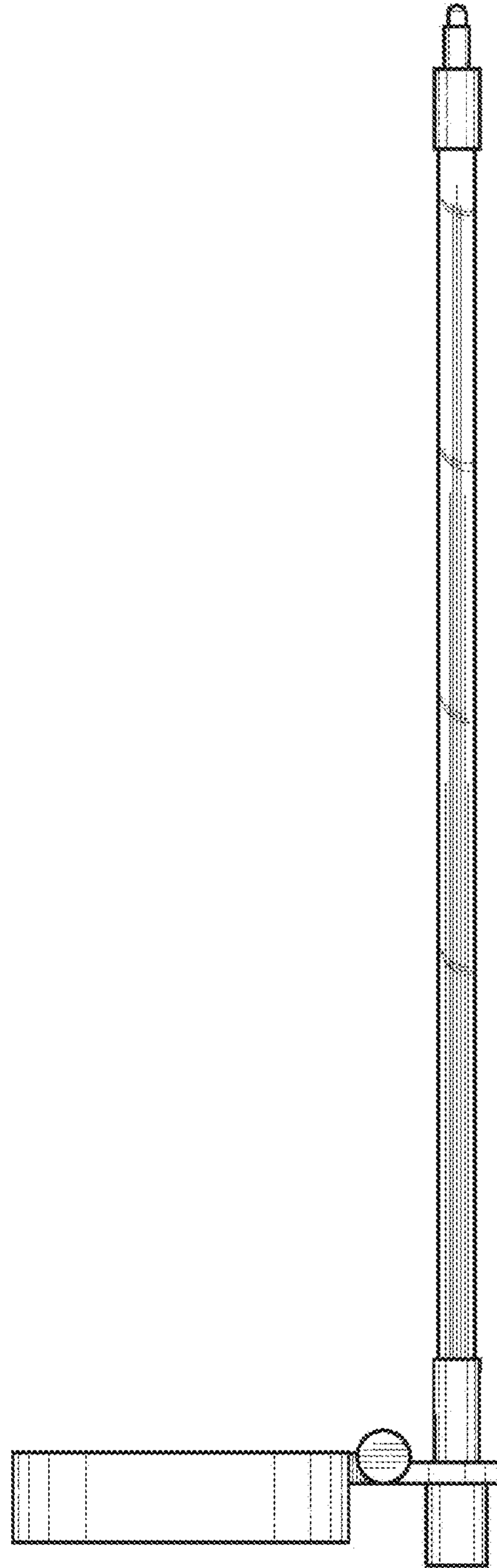


FIG. 3

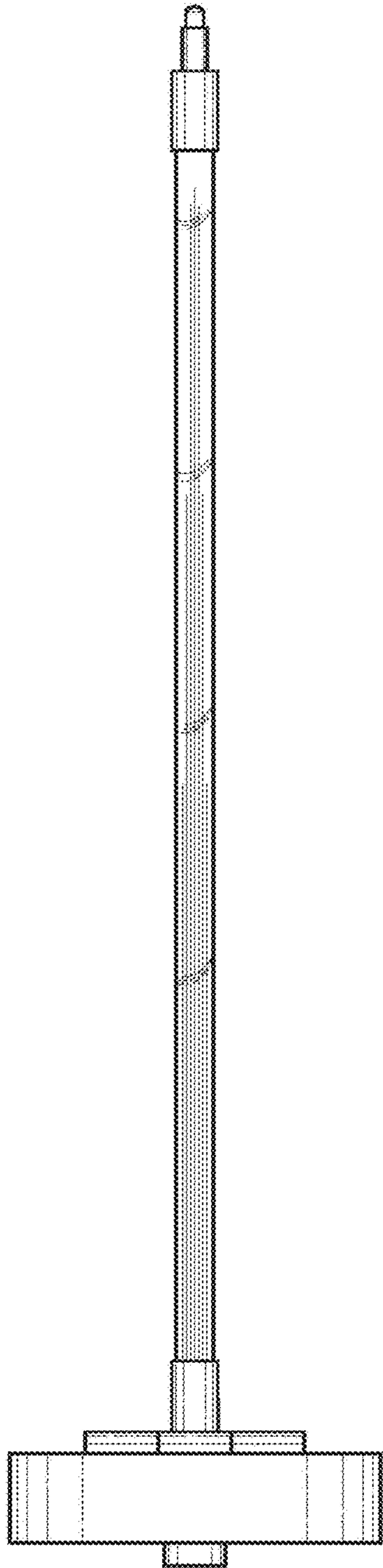


FIG. 4

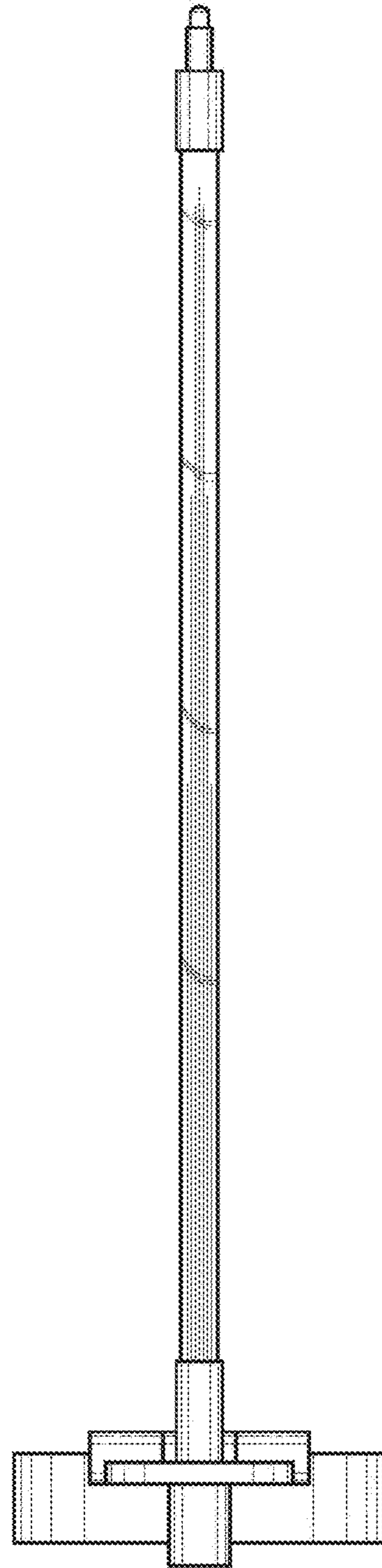


FIG. 5

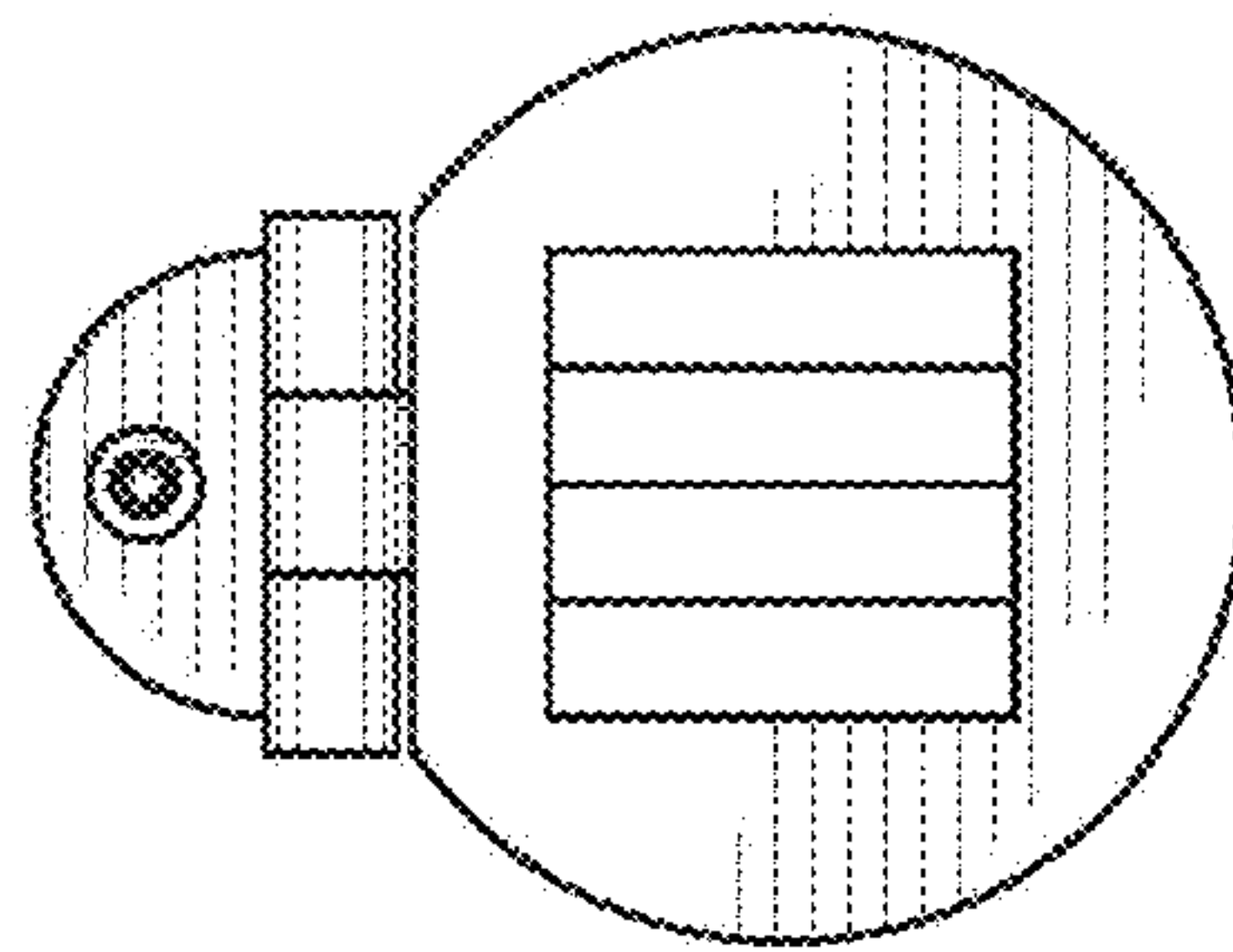


FIG. 6

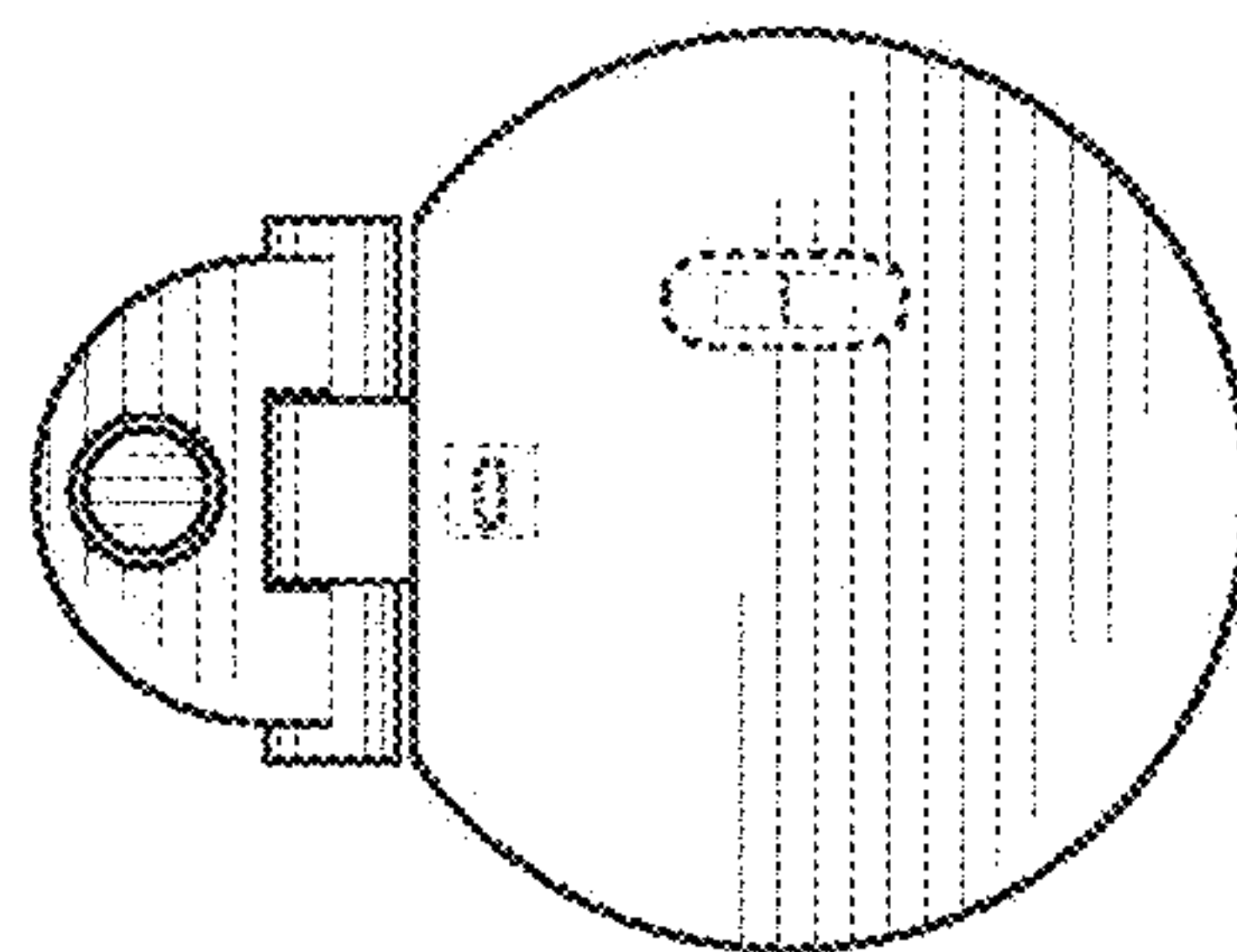


FIG. 7