



US00D807538S

(12) **United States Design Patent** (10) **Patent No.:** **US D807,538 S**  
**Guercio et al.** (45) **Date of Patent:** **\*\* Jan. 9, 2018**

(54) **LED FLOODLIGHT LUMINAIRE**  
(71) Applicant: **RAB Lighting Inc.**, Northvale, NJ (US)  
(72) Inventors: **Vincenzo Guercio**, Wallkill, NY (US);  
**Jiang Hu**, Ningbo (CN); **James Lau**,  
New York, NY (US)  
(73) Assignee: **RAB Lighting Inc.**, Northvale, NJ (US)  
(\*\*) Term: **15 Years**  
(21) Appl. No.: **29/559,548**  
(22) Filed: **Mar. 29, 2016**  
(51) **LOC (11) Cl.** ..... **26-01**  
(52) **U.S. Cl.**  
USPC ..... **D26/24**  
(58) **Field of Classification Search**  
USPC ..... D26/24, 128, 131, 133, 134, 135, 136,  
D26/28, 37, 44, 61, 67, 93, 105, 106,  
D26/110, 118, 119; 362/217.1, 217.11,  
362/217.14, 217.15, 217.16, 218, 220,  
362/157, 190, 191, 199, 227, 231, 235,  
362/145, 147  
CPC ..... F21V 33/00; F21V 7/09; F21V 7/0025  
See application file for complete search history.

8,646,948 B1 \* 2/2014 Reo ..... F21S 8/026  
362/147  
D740,997 S \* 10/2015 Chang ..... D26/118  
D772,474 S \* 11/2016 Chang ..... D26/118  
2010/0091507 A1 \* 4/2010 Li ..... F21V 7/09  
362/470  
2011/0292652 A1 \* 12/2011 Huang ..... F21V 5/002  
362/235  
2012/0236558 A1 \* 9/2012 Roudeski ..... F21V 23/009  
362/235  
2012/0293989 A1 \* 11/2012 Duan ..... F21V 29/004  
362/218

\* cited by examiner

*Primary Examiner* — Susan Bennett Hattan  
*Assistant Examiner* — Rebecca Tsehaye  
(74) *Attorney, Agent, or Firm* — SmithAmundsen LLC;  
Dennis S. Schell; Douglas G. Gallagher

(57) **CLAIM**

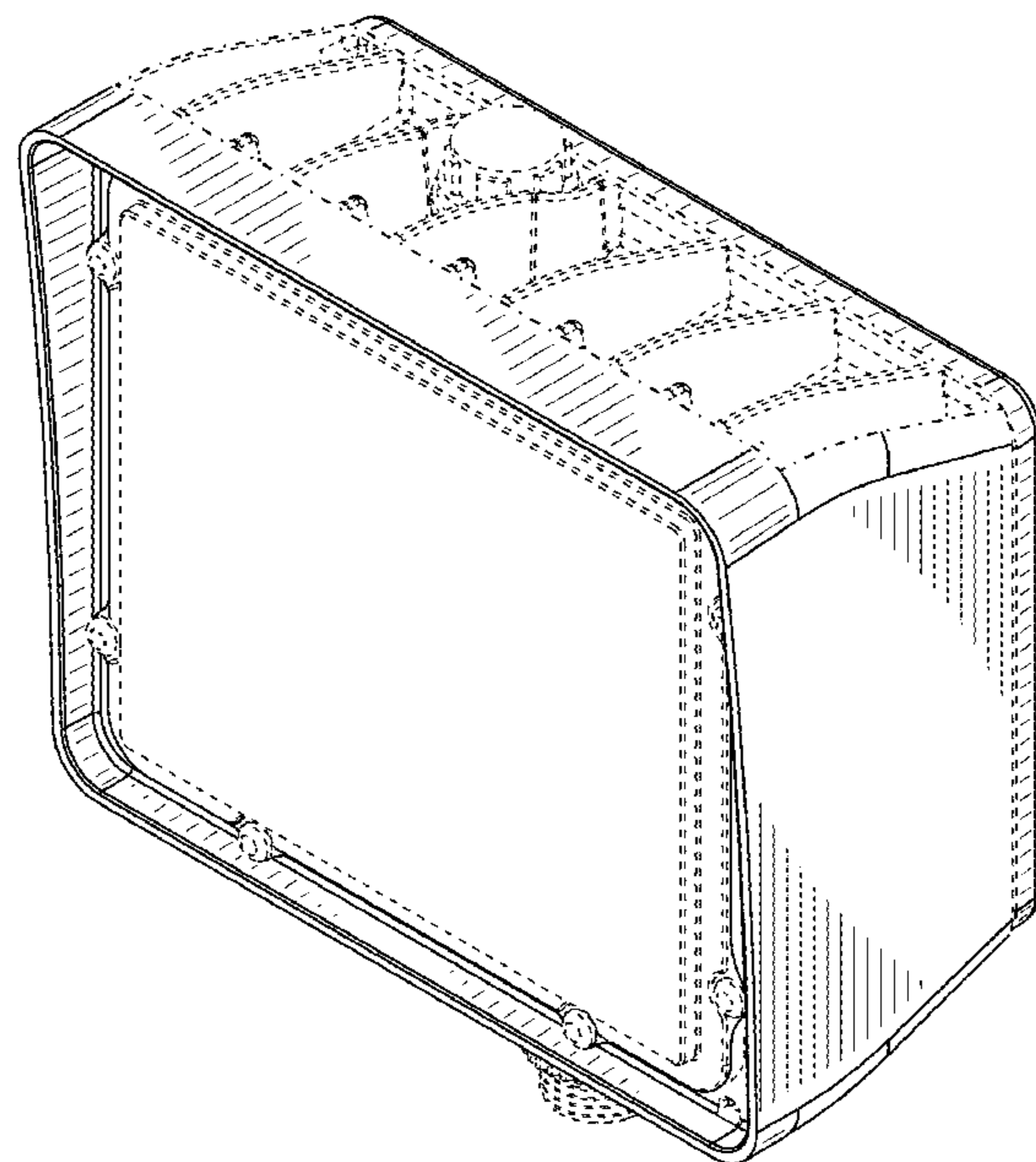
The ornamental design for a LED floodlight luminaire,  
substantially as shown and described.

**DESCRIPTION**

FIG. 1 is a front-top perspective view of the new design;  
FIG. 2 is a front view of the new design;  
FIG. 3 is a left side view of the new design;  
FIG. 4 is a right side view of the new design;  
FIG. 5 is a rear view of the new design;  
FIG. 6 is a top view of the new design;  
FIG. 7 is a bottom view of the new design;  
FIG. 8 is a rear-top perspective view of the new design; and,  
FIG. 9 is a rear-bottom perspective view of the new design.  
The broken dash lines shown in the drawings are for the  
purposes of illustrating portions of the article that form no  
part of the claimed design. The broken dash-dot lines define  
the bounds of the claim and form no part thereof.

**1 Claim, 9 Drawing Sheets**

(56) **References Cited**  
U.S. PATENT DOCUMENTS  
D295,791 S 5/1988 Strandberg  
D566,318 S \* 4/2008 Quiogue ..... D26/63  
D574,102 S 7/2008 Quiogue et al.  
7,527,390 B2 \* 5/2009 Kakuta ..... G03B 21/2013  
362/231  
D618,374 S 6/2010 Guercio  
D643,147 S \* 8/2011 Guercio ..... D26/118  
8,403,530 B2 \* 3/2013 Singer ..... F21V 7/0025  
362/240



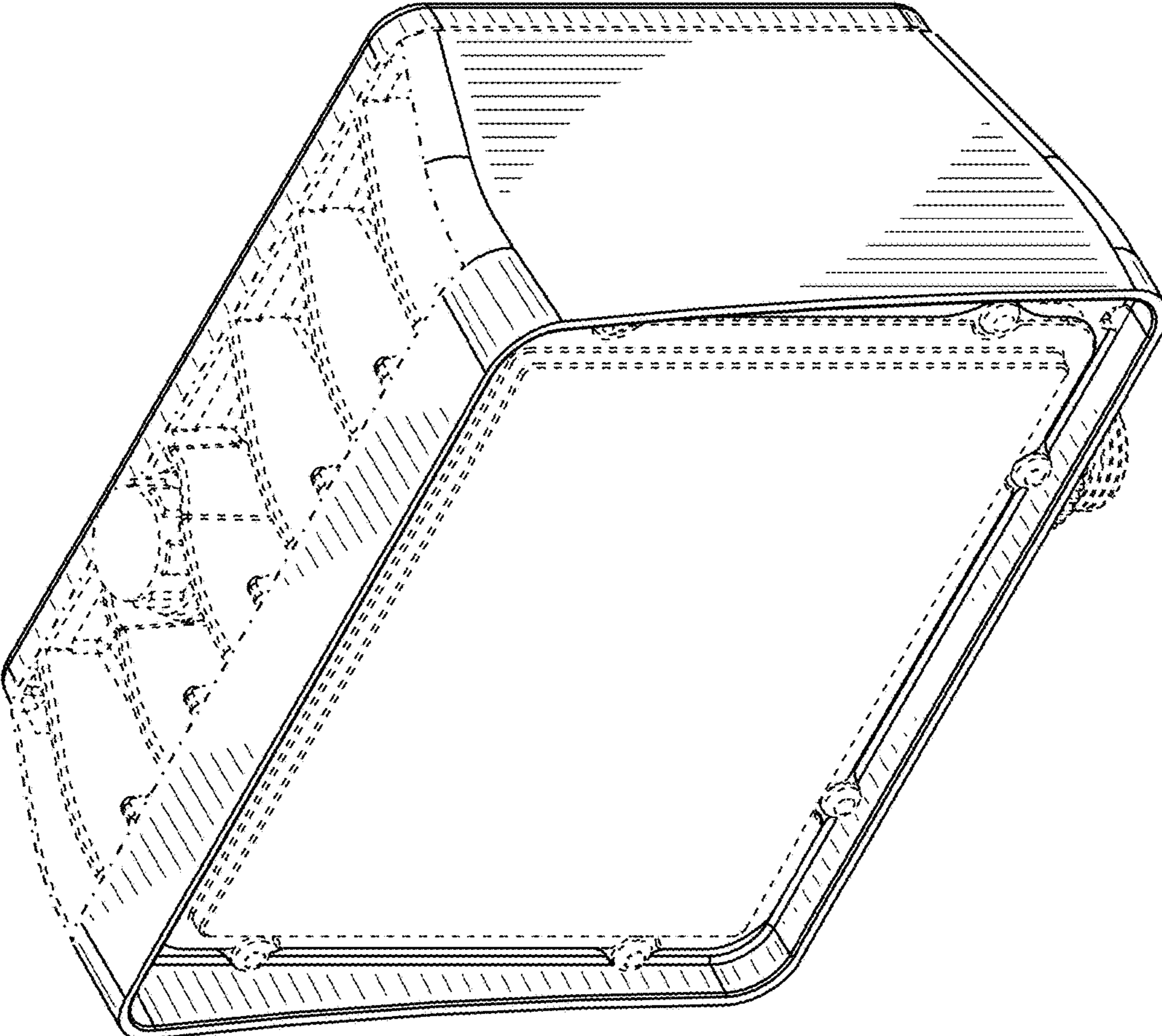


Fig. 1

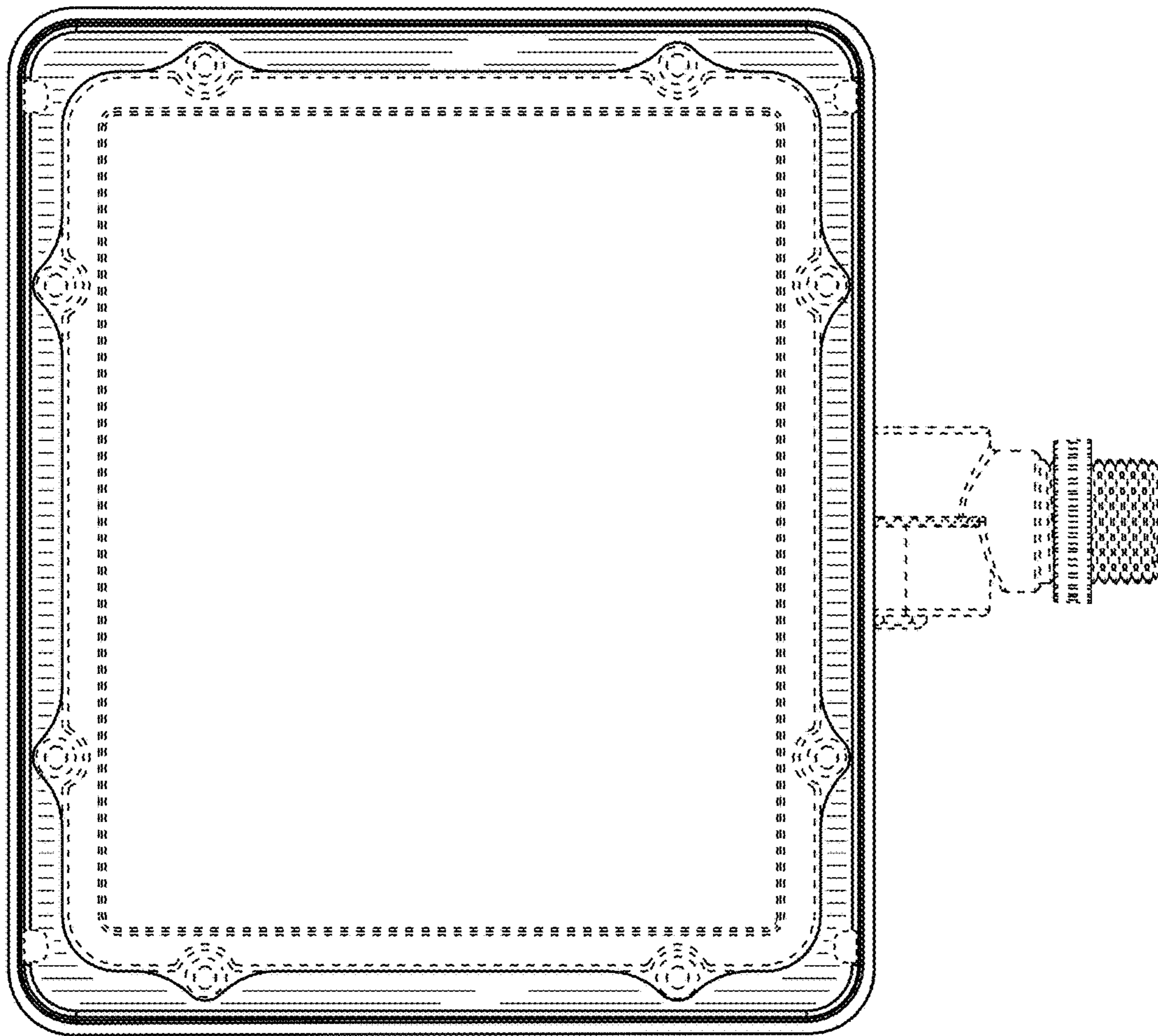


Fig. 2

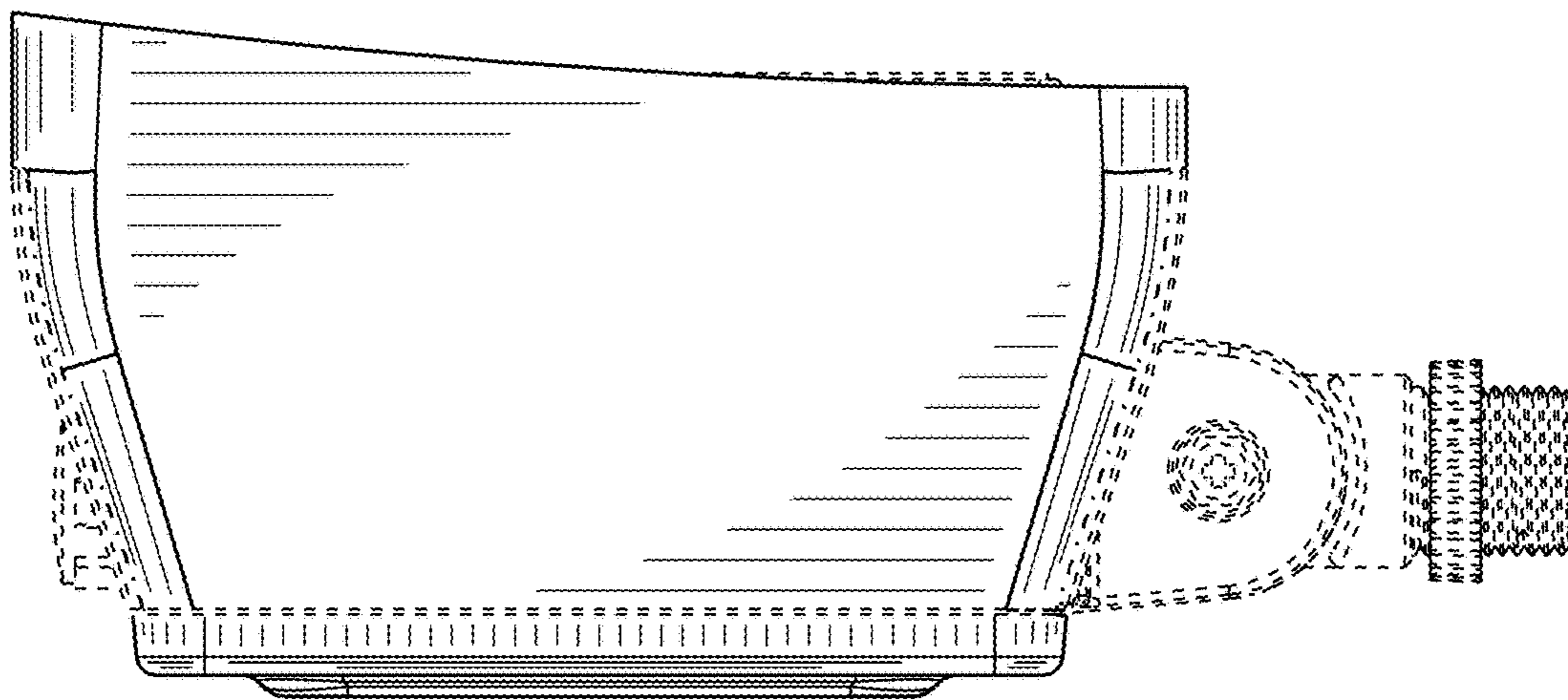
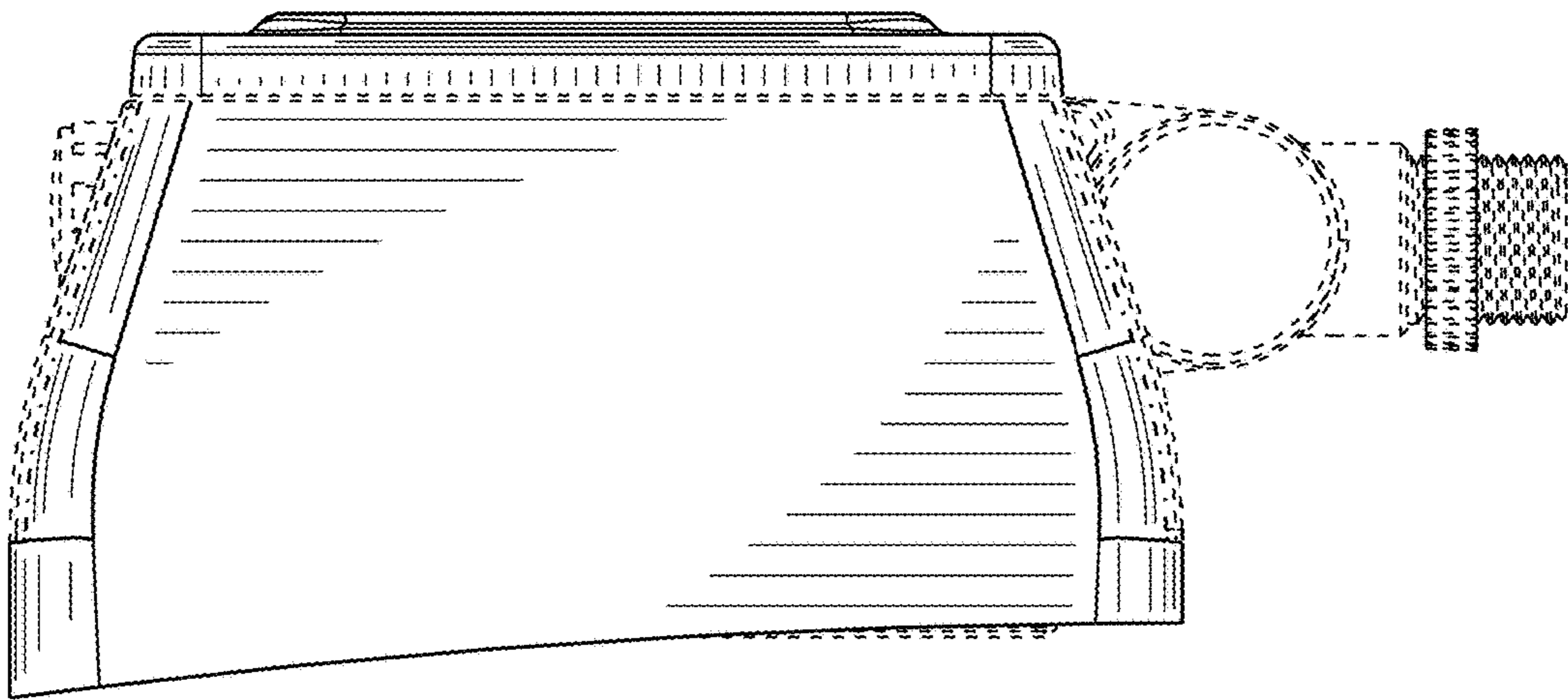


Fig. 3



**Fig. 4**

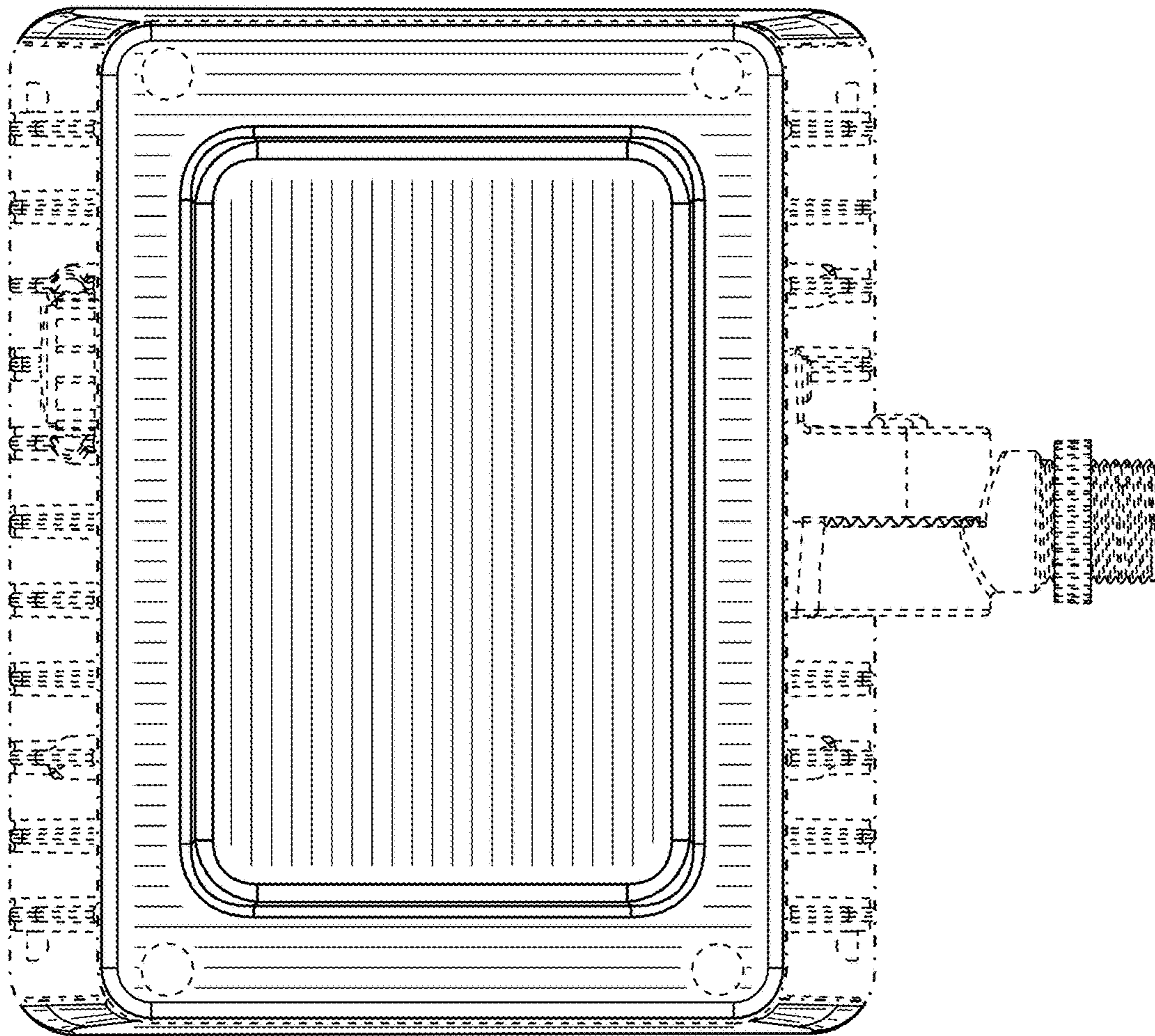
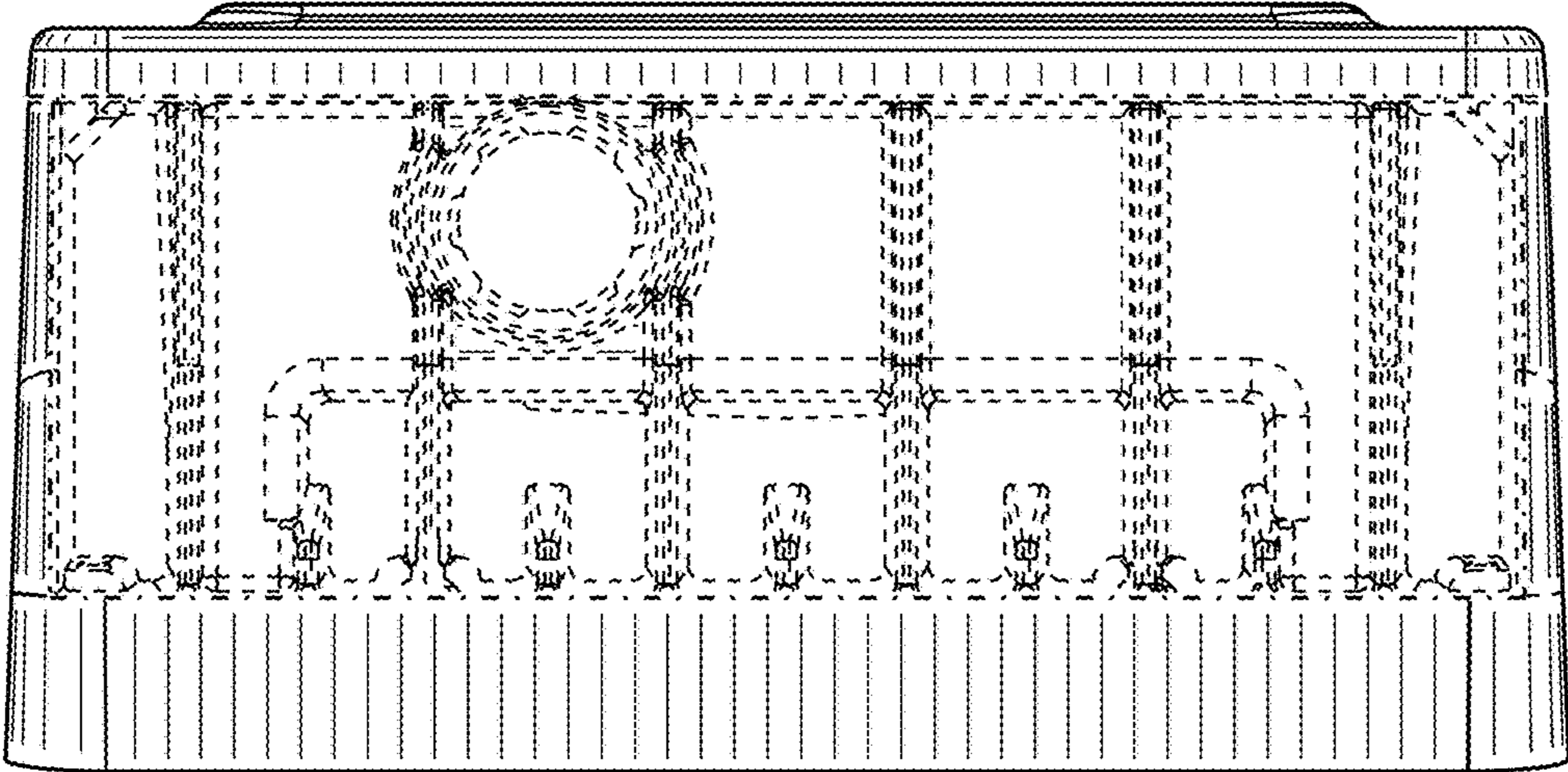


Fig. 5



**Fig. 6**

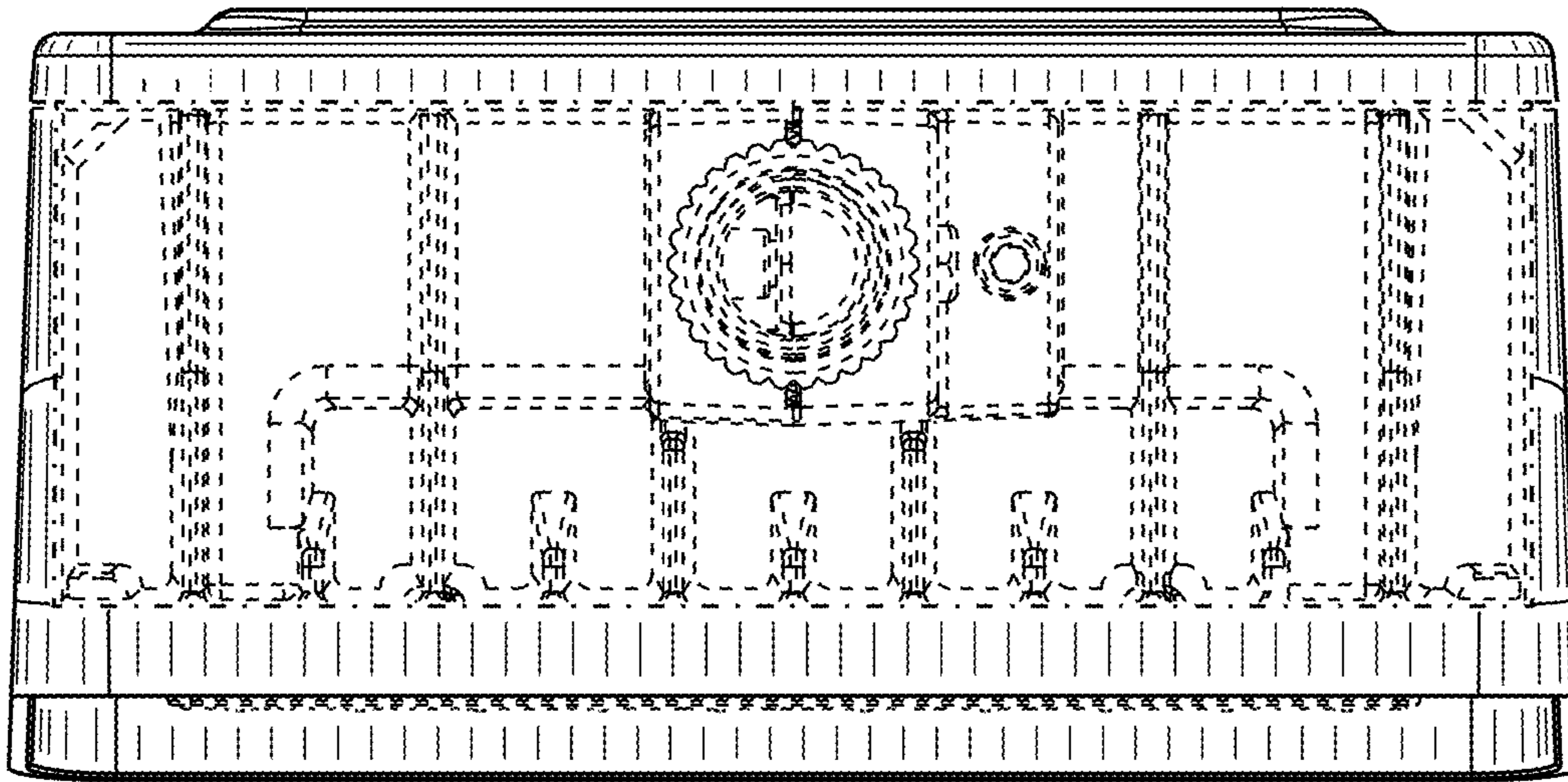


Fig. 7



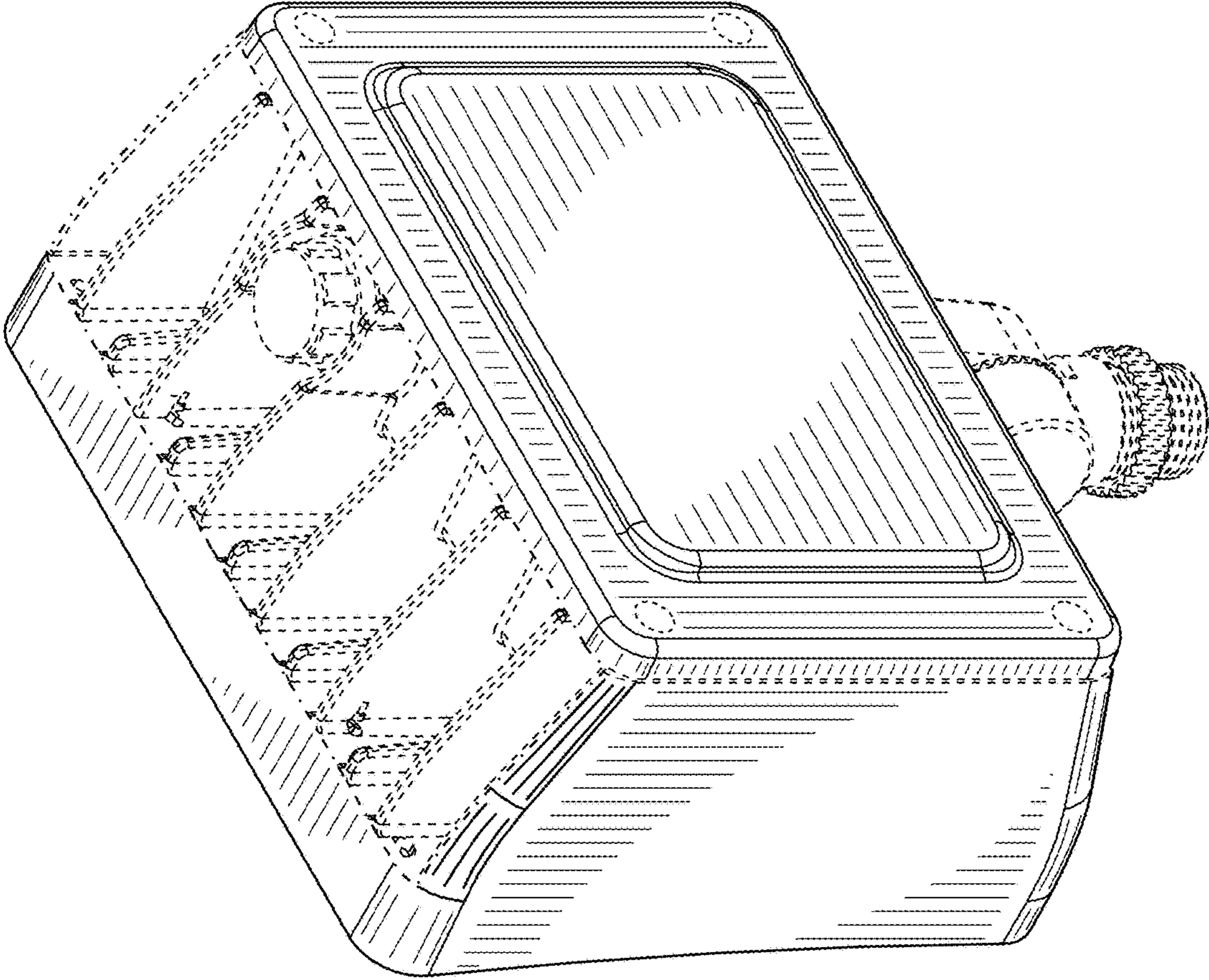


Fig. 8

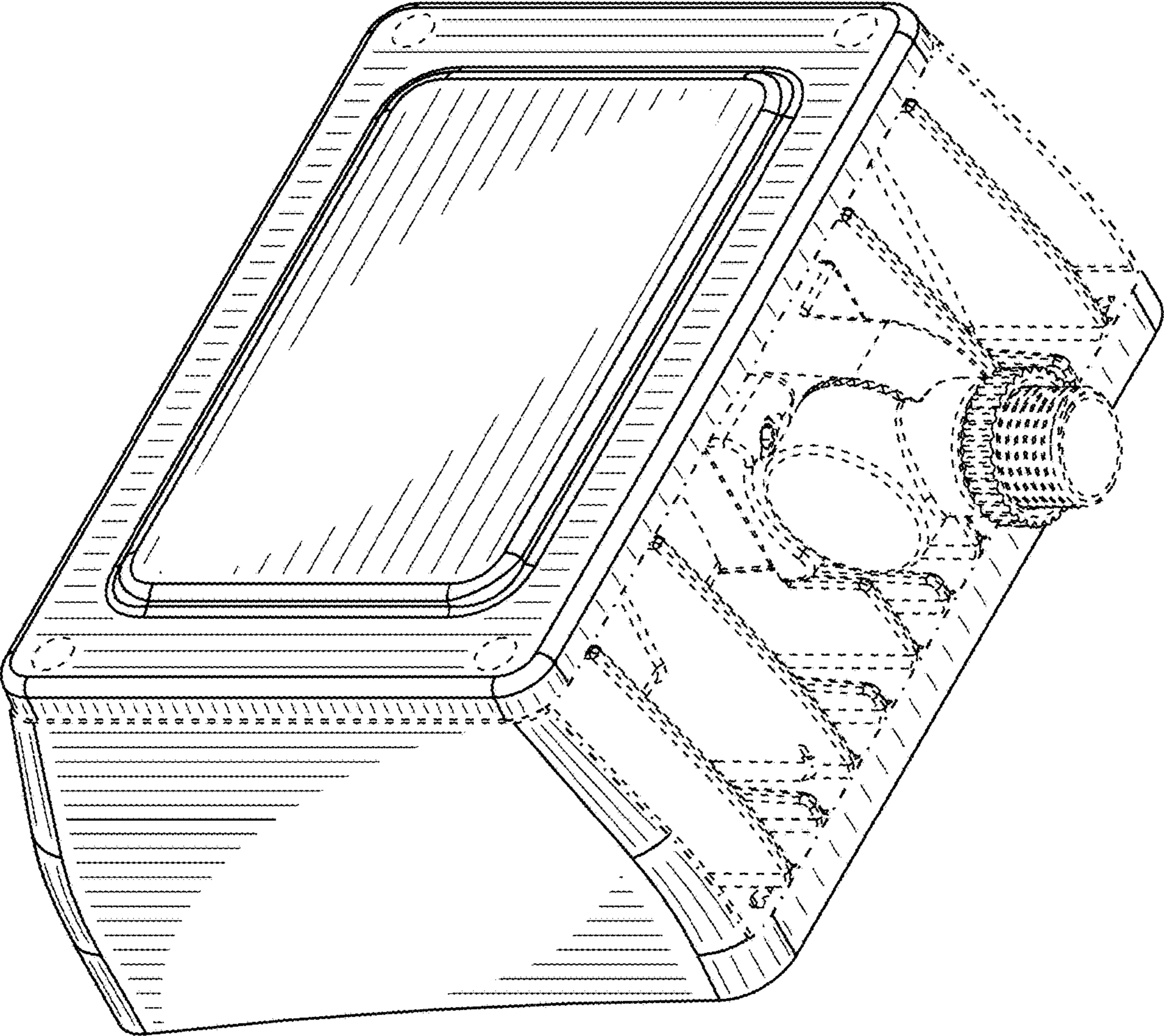


Fig. 9