



US00D807537S

(12) **United States Design Patent**
Yao

(10) **Patent No.:** **US D807,537 S**
(45) **Date of Patent:** **** Jan. 9, 2018**

(54) **LED FILAMENT BULB**

(56) **References Cited**

(71) Applicant: **JIAXING SUPER LIGHTING
ELECTRIC APPLIANCE CO., LTD,**
Zhejiang (CN)

(72) Inventor: **Wen-Tao Yao,** Zhejiang (CN)

(73) Assignee: **JIAXING SUPER LIGHTING
ELECTRIC APPLIANCE CO., LTD,**
Zhejiang (CN)

(**) Term: **15 Years**

(21) Appl. No.: **29/583,398**

(22) Filed: **Nov. 4, 2016**

(30) **Foreign Application Priority Data**

May 12, 2016 (CN) 2016 3 0176555

(51) **LOC (11) Cl.** **26-04**

(52) **U.S. Cl.**
USPC **D26/2**

(58) **Field of Classification Search**
USPC D26/1-4; 313/313, 315, 316, 317, 318,
313/493; 315/52, 53, 56, 57, 58
CPC H01R 5/00; H01R 13/46; H01R 13/514;
H01R 31/048; H01R 31/02; H01J 5/00;
H01J 5/16; H01J 5/48; H01J 5/50; H01J
19/54; F21V 5/00

See application file for complete search history.

U.S. PATENT DOCUMENTS

D597,228 S *	7/2009	Chang	D26/4
D645,170 S *	9/2011	Parker	D26/4
D647,647 S *	10/2011	Parker	D26/4
D668,368 S *	10/2012	Lu	D26/4
D737,479 S *	8/2015	Oonaka	D26/4

* cited by examiner

Primary Examiner — Marcus Jackson

(74) *Attorney, Agent, or Firm* — Andrew M. Calderon;
Roberts Mlotkowski Safran Cole & Calderon, P.C.

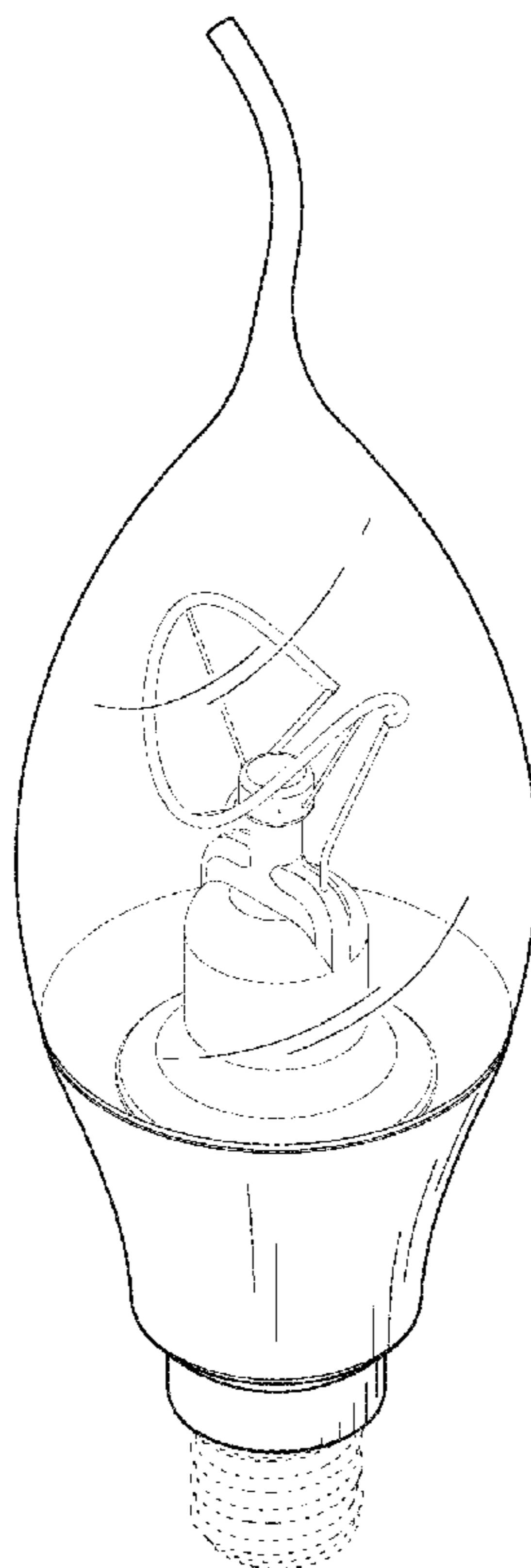
(57) **CLAIM**

The ornamental design for an LED filament bulb, as shown and described.

DESCRIPTION

FIG. 1 is a perspective view of an LED filament bulb showing my new design;
FIG. 2 is a front view of FIG. 1;
FIG. 3 is a rear view of FIG. 1;
FIG. 4 is a left side view of FIG. 1;
FIG. 5 is a right side view of FIG. 1;
FIG. 6 is a top view of FIG. 1; and,
FIG. 7 is a bottom view of FIG. 1.
The broken lines in the figures form no part of the claimed design.

1 Claim, 6 Drawing Sheets



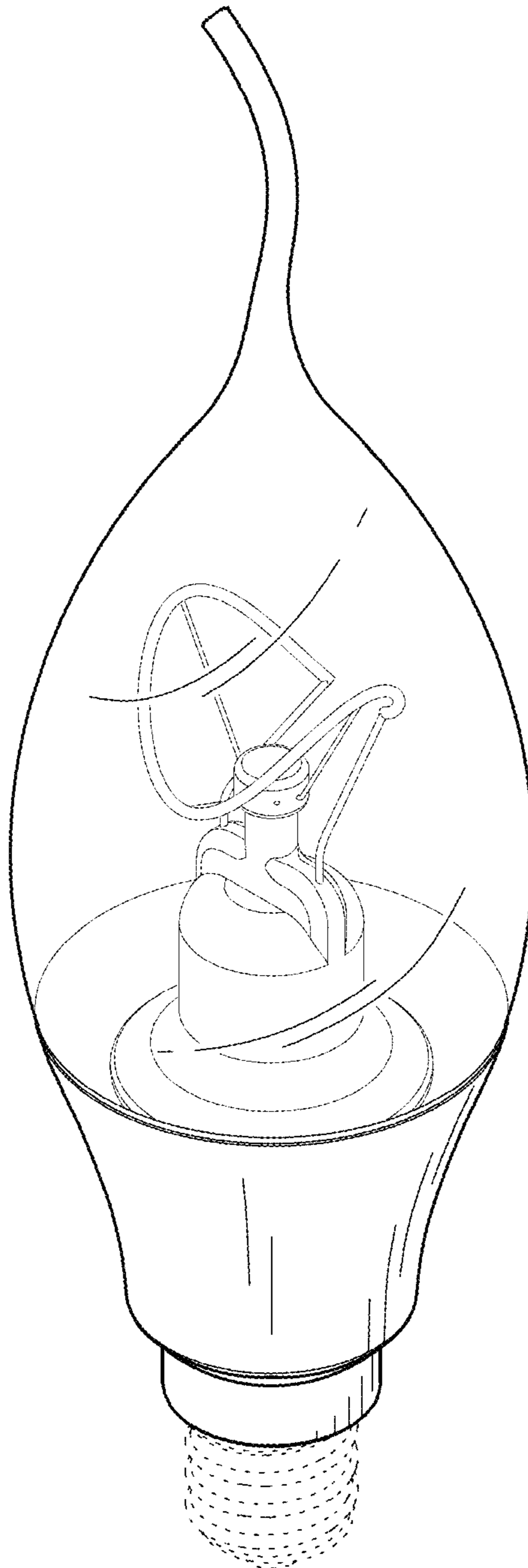


FIG. 1

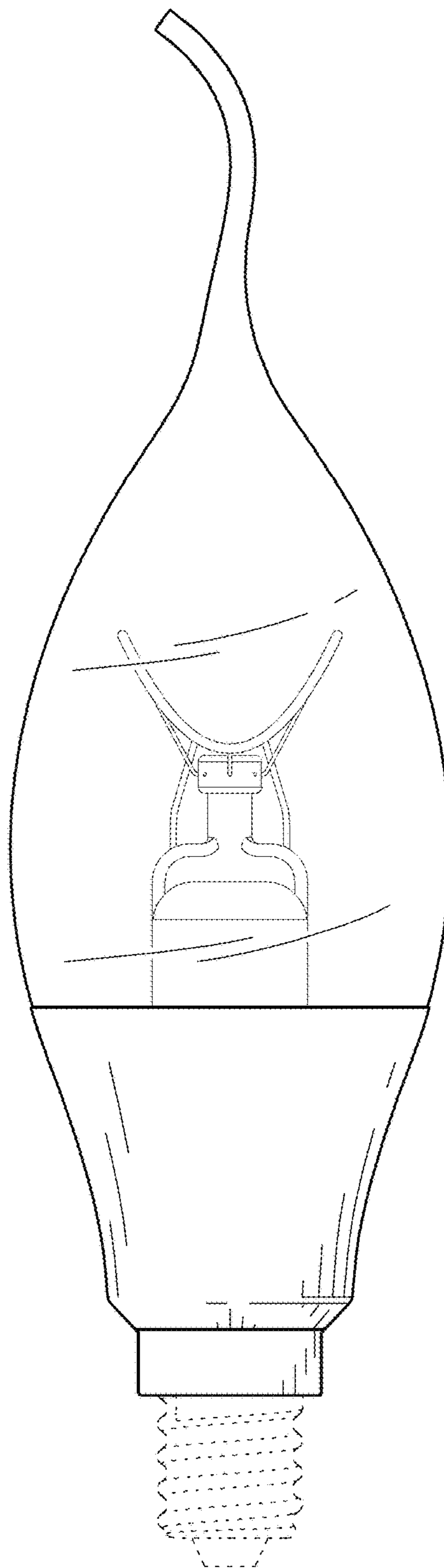


FIG.2

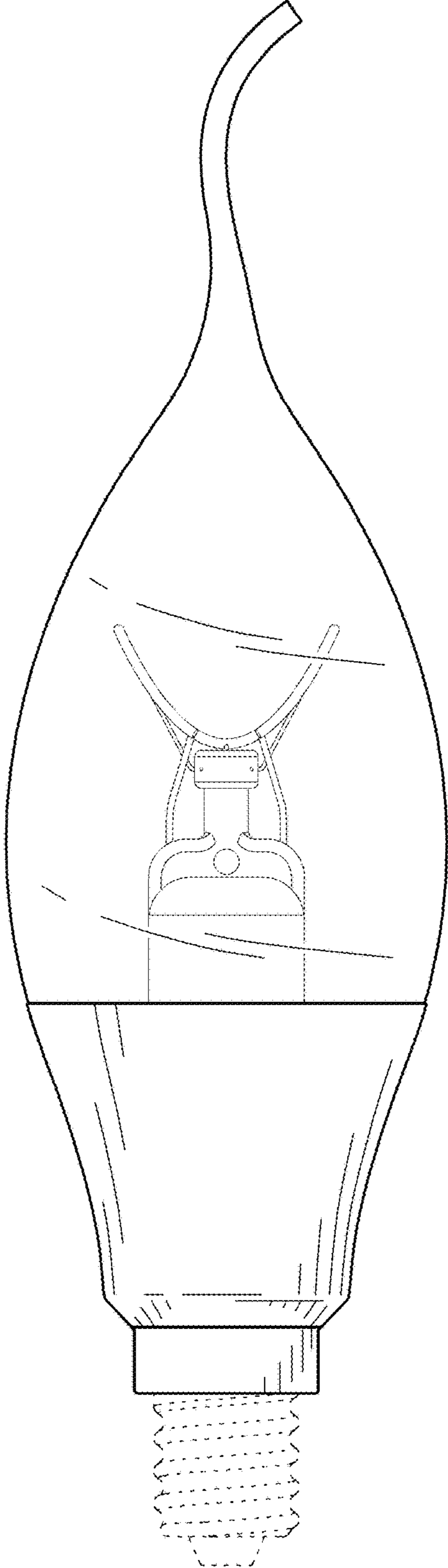


FIG.3

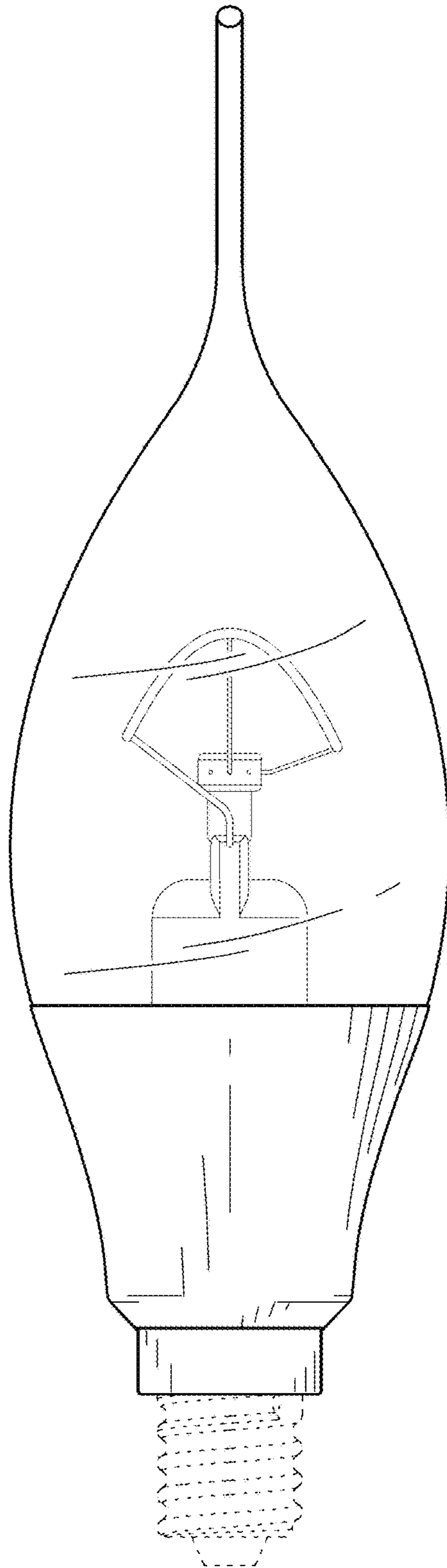


FIG.4

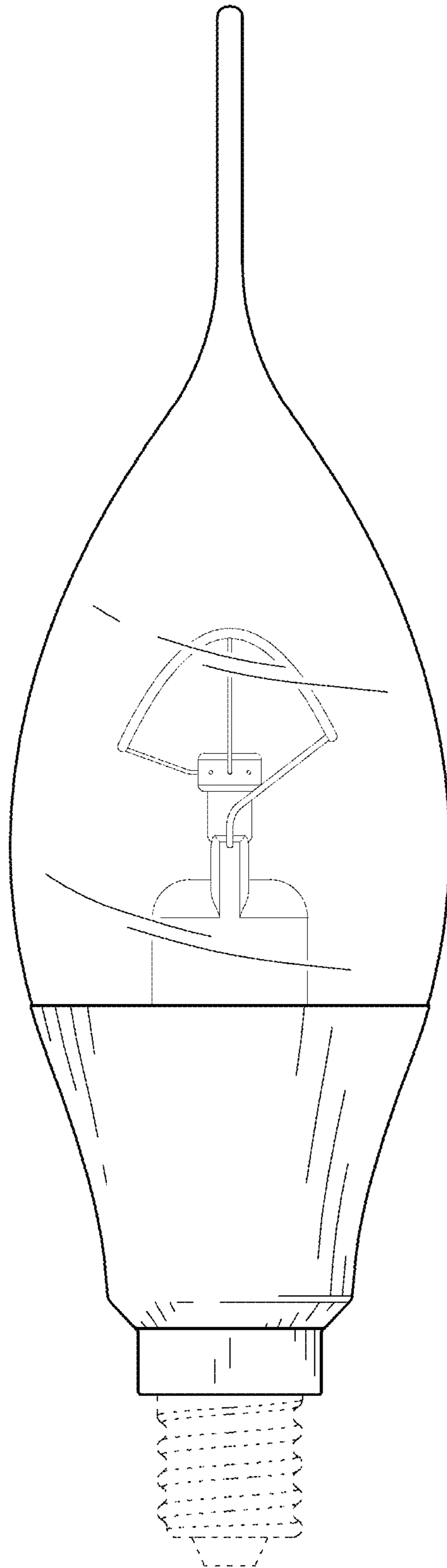


FIG.5

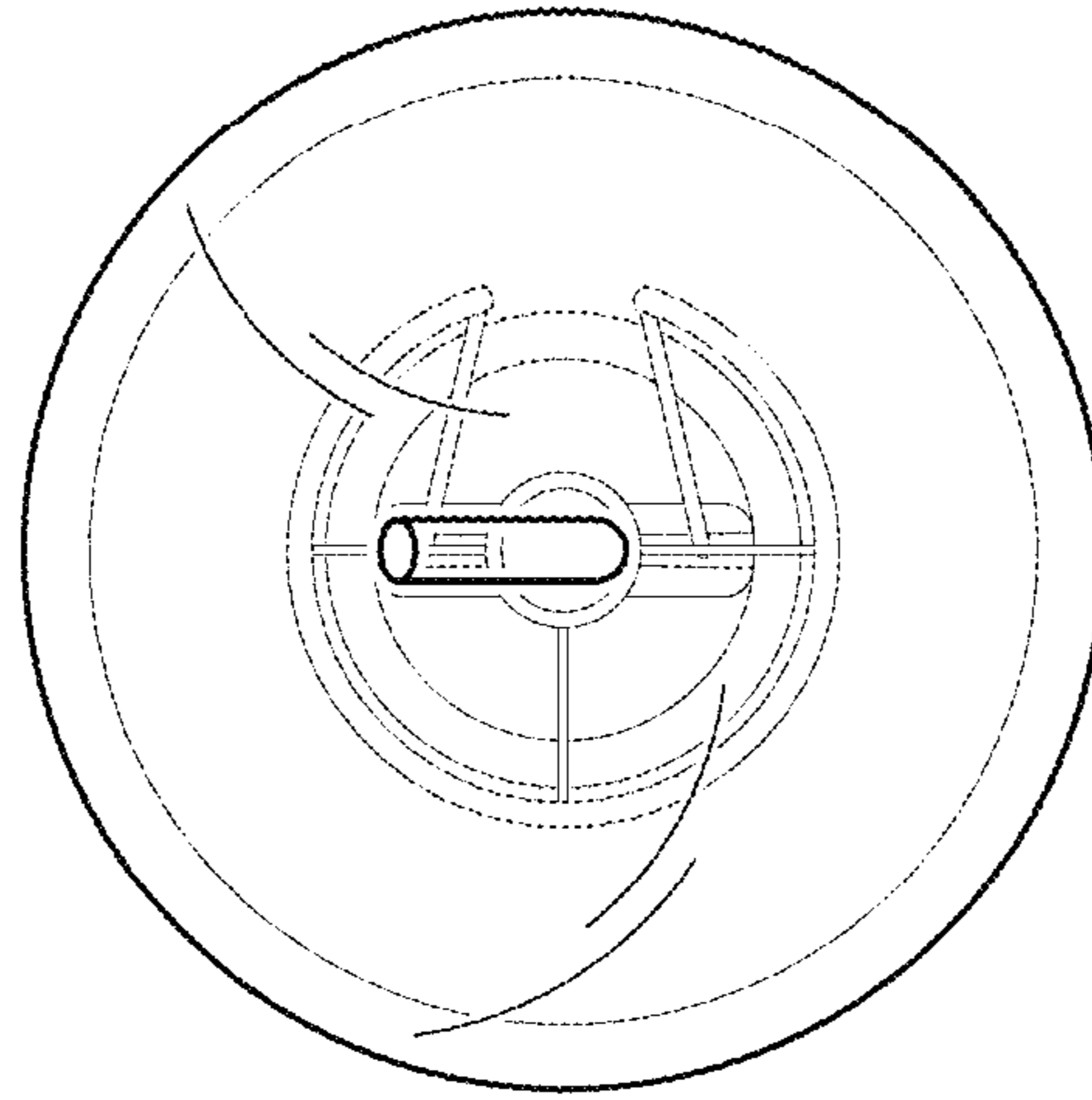


FIG. 6

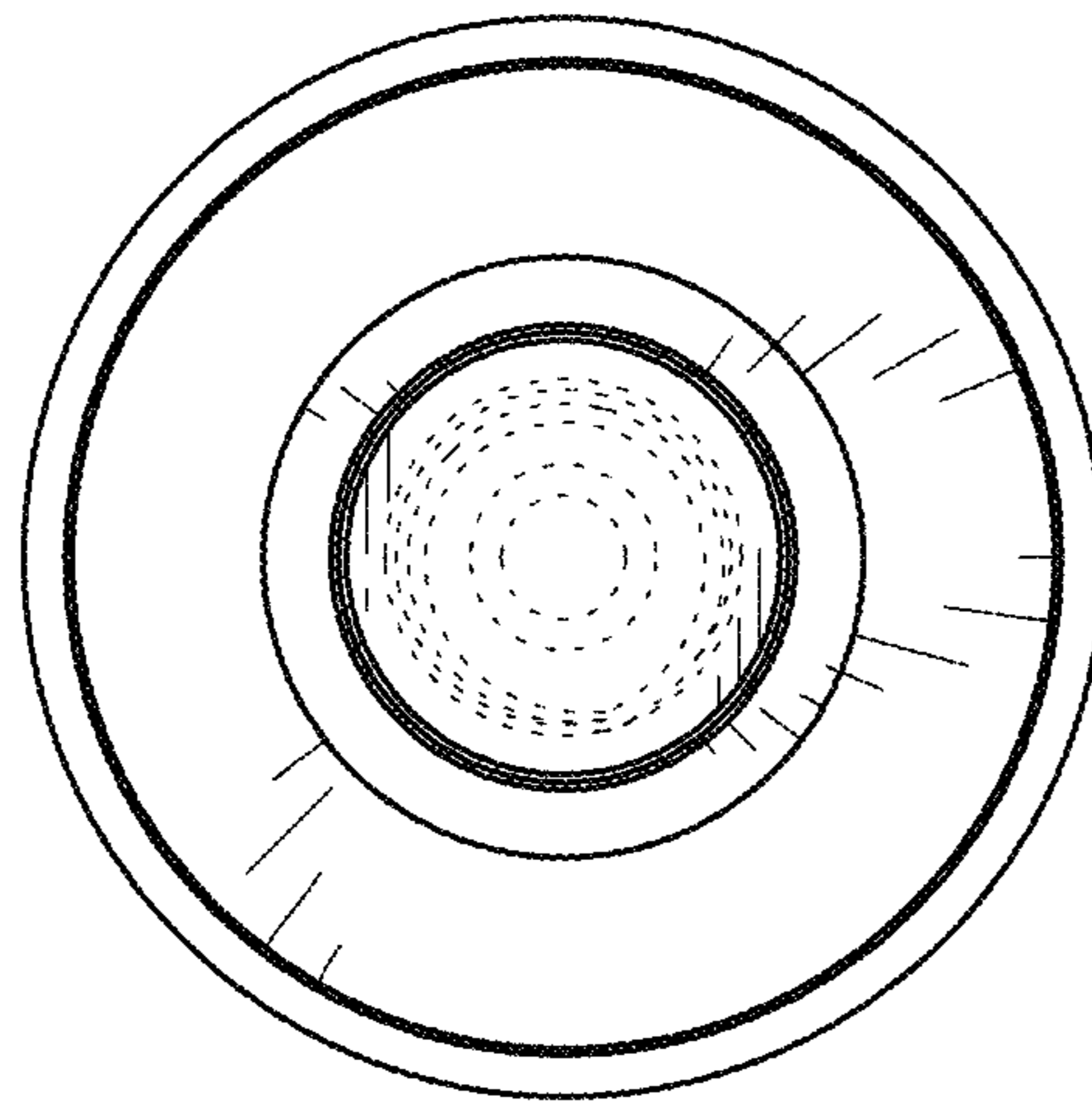


FIG. 7