



US00D807534S

(12) **United States Design Patent**
Herrick et al.

(10) **Patent No.:** **US D807,534 S**
(45) **Date of Patent:** **** Jan. 9, 2018**

(54) **DIRECTIONAL CONTROLS**

(71) Applicant: **RODDIE, INC.**, Columbia Falls, MT (US)
(72) Inventors: **Rod Herrick**, Whitefish, MT (US);
Jared W. Shappell, Kalispell, MT (US)
(73) Assignee: **RODDIE, Inc.**, Columbia Falls, MT (US)

(**) Term: **15 Years**

(21) Appl. No.: **29/560,888**

(22) Filed: **Apr. 11, 2016**

(51) **LOC (11) Cl.** **25-99**

(52) **U.S. Cl.**
USPC **D25/199**

(58) **Field of Classification Search**
USPC D25/199
CPC E21B 7/022
See application file for complete search history.

(56) **References Cited**

U.S. PATENT DOCUMENTS

394,791 A *	12/1888	Schefbauer	H05B 31/0006
				314/56
3,677,281 A *	7/1972	Tennis	F16K 31/44
				137/270
5,062,516 A *	11/1991	Prince	B63H 21/213
				477/111
D521,599 S *	5/2006	Bates	D23/233
D686,298 S *	7/2013	Ching	D23/233
D752,183 S *	3/2016	Hsu	D23/233
D774,167 S *	12/2016	Herrick	D23/245
2017/0183911 A1 *	6/2017	Herrick	E21B 7/022

* cited by examiner

Primary Examiner — Katrina A Betton

(74) *Attorney, Agent, or Firm* — Rabin Kelson Consulting

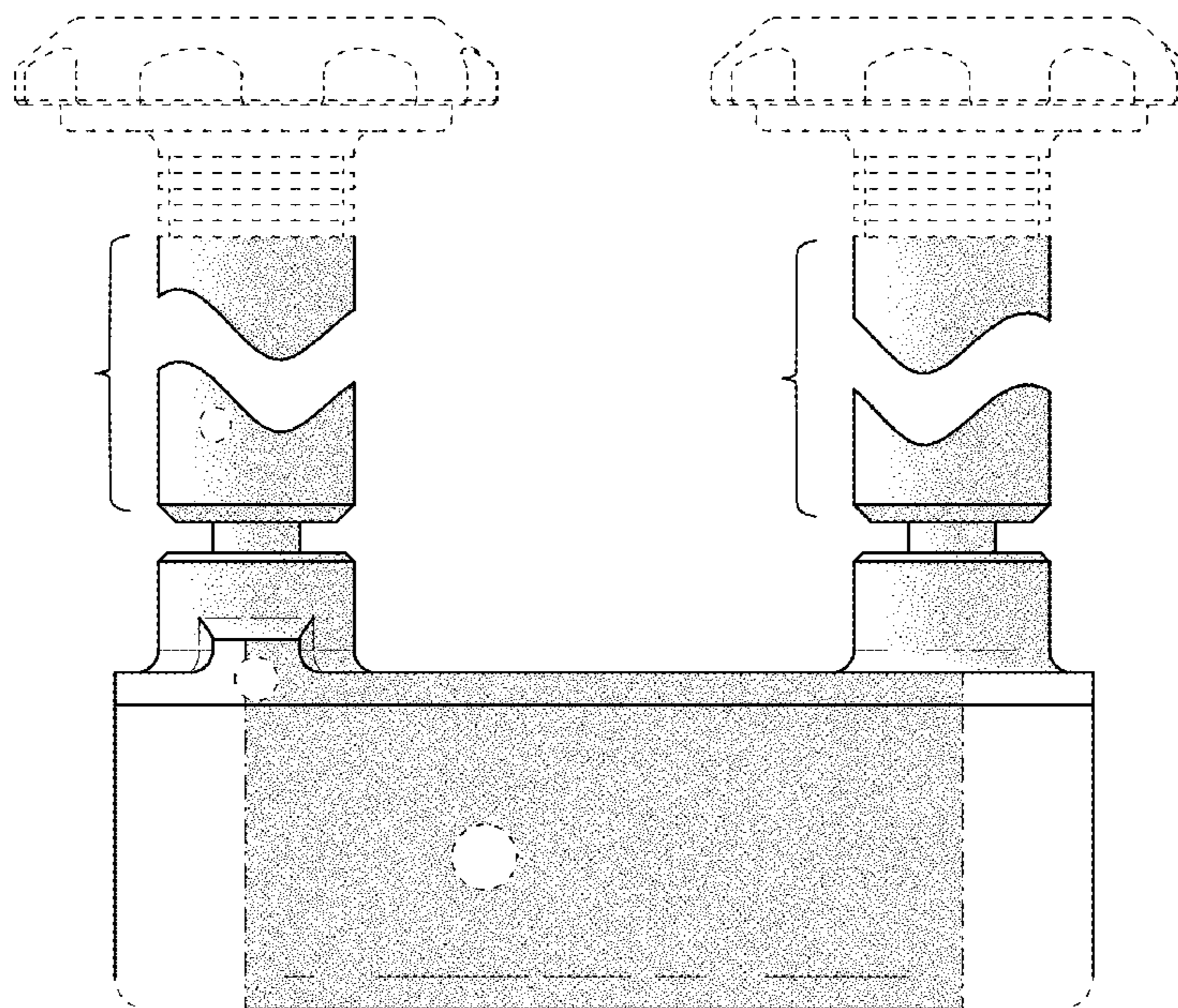
(57) **CLAIM**

We claim the ornamental design for the directional controls, as shown and described.

DESCRIPTION

FIG. 1 is a front view of a directional control in accordance with the present design, the shaft length (indicated by bracket) being variable;
FIG. 2 is a rear view thereof;
FIG. 3 is a side view (left) thereof;
FIG. 4 is a side view (right) thereof;
FIG. 5 is a top view thereof;
FIG. 6 is a bottom view thereof;
FIG. 7 is an isometric view thereof;
FIG. 8 is an isometric view of the directional control shown in FIG. 7 in accordance with another embodiment of the present design;
FIG. 9 is an isometric view of the directional control shown in FIG. 7 in accordance with another embodiment of the present design;
FIG. 10 is an isometric view of the directional control shown in FIG. 7 in accordance with another embodiment of the present design;
FIG. 11 is an isometric view of the directional control shown in FIG. 7 in accordance with another embodiment of the present design; and,
FIG. 12 is an isometric view of the directional control shown in FIG. 7 in accordance with another embodiment of the present design.
The broken lines show portions of the directional controls which form no part of the claimed design.

1 Claim, 11 Drawing Sheets



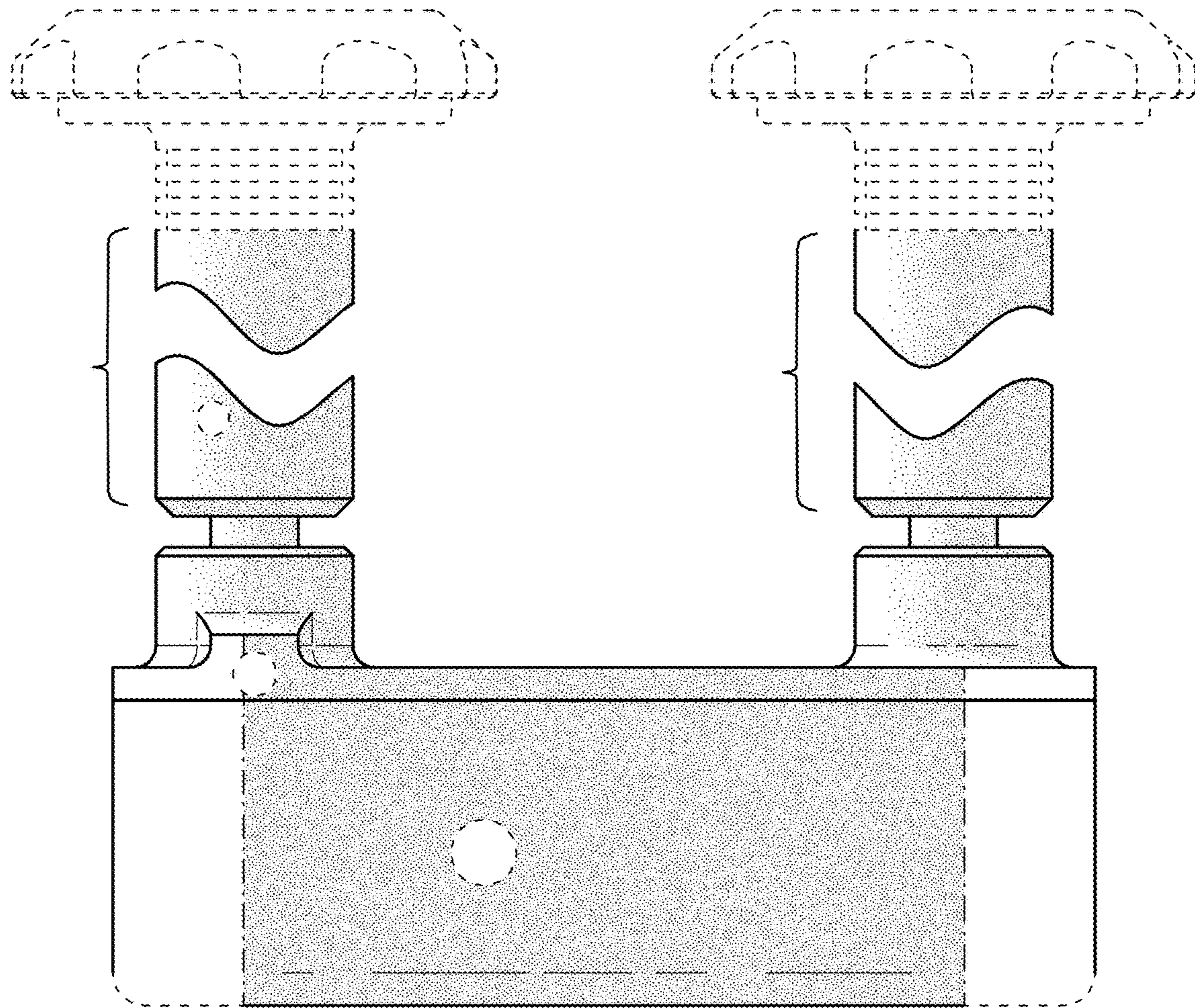


FIG. 1

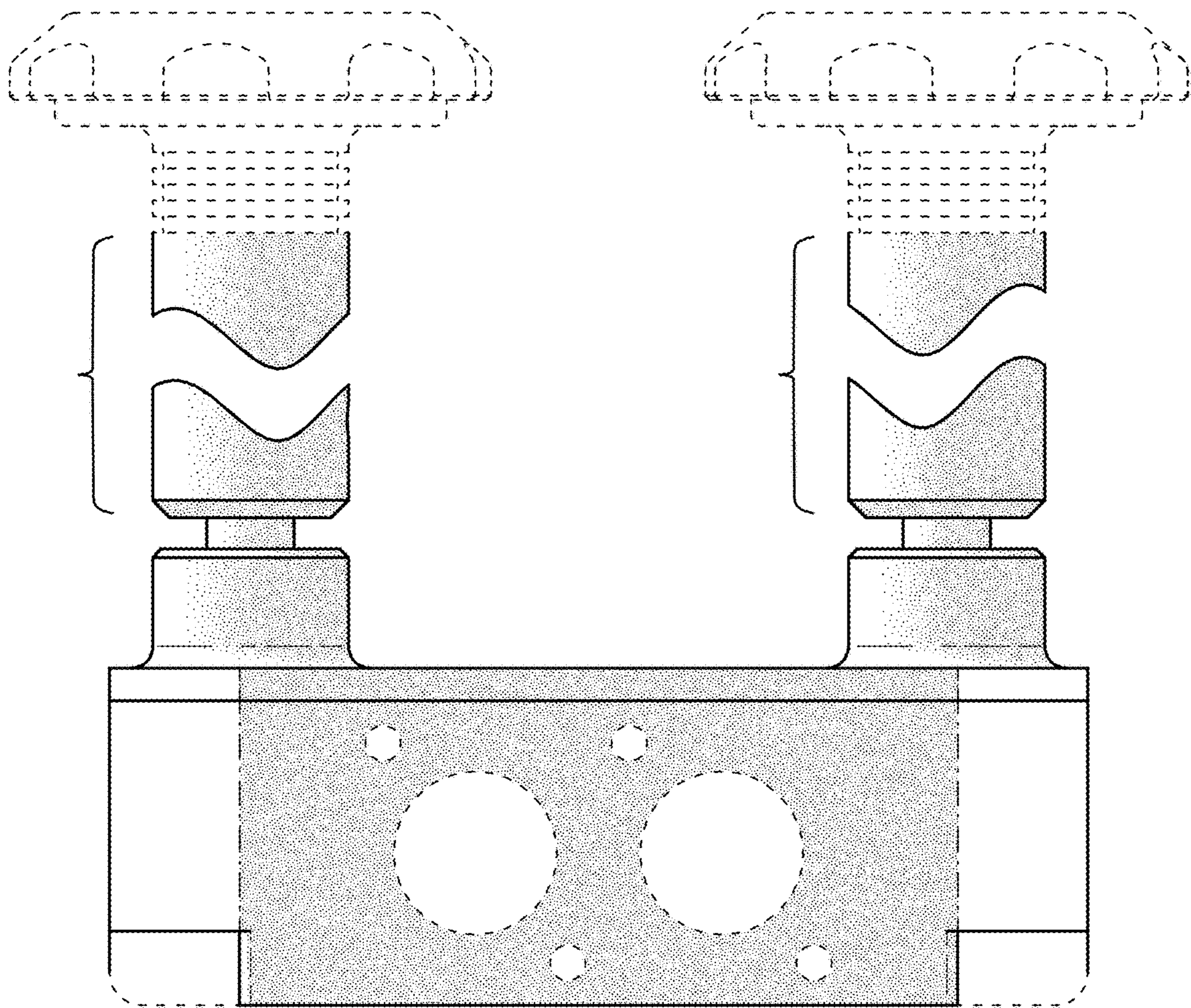


FIG. 2

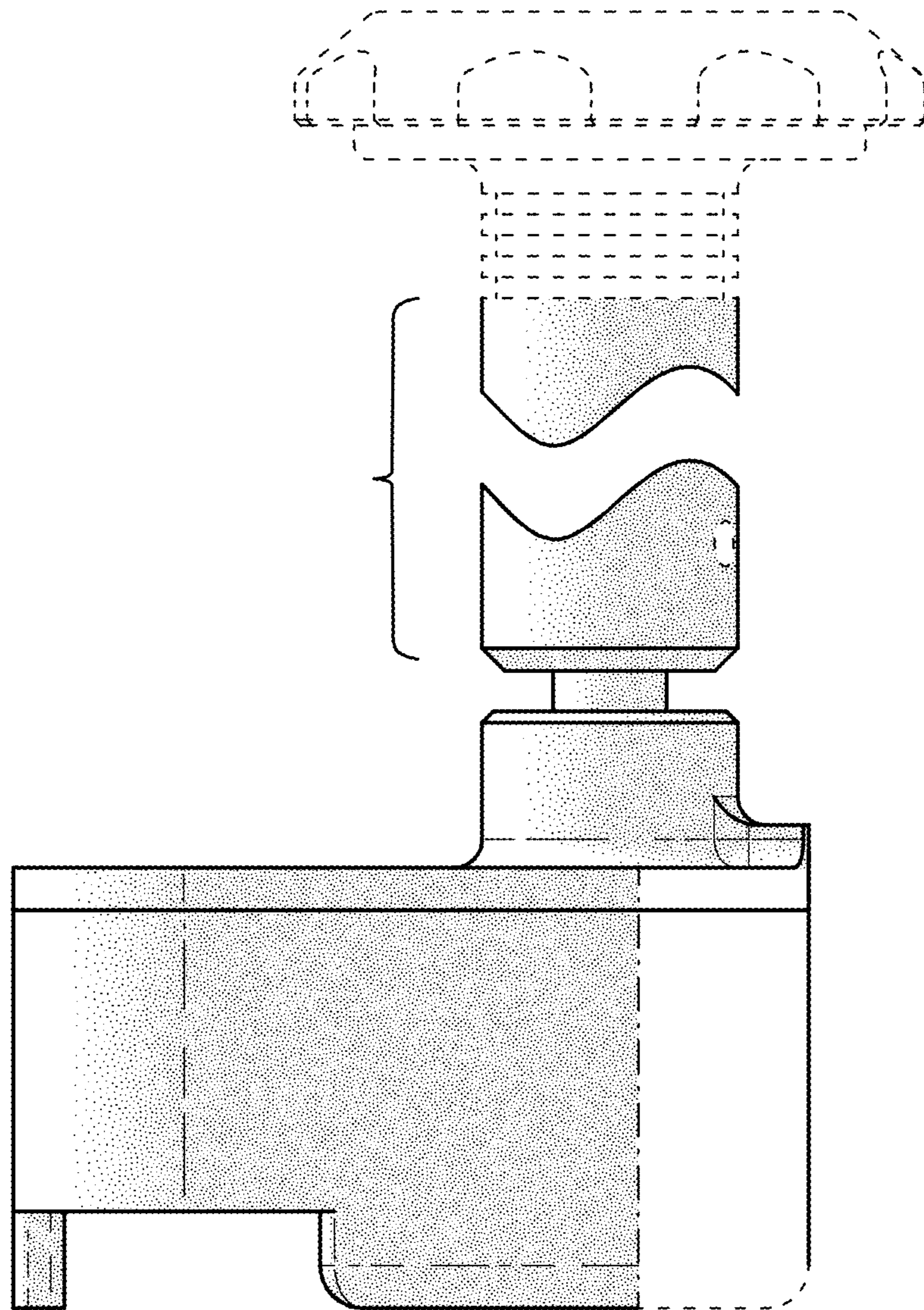


FIG. 3

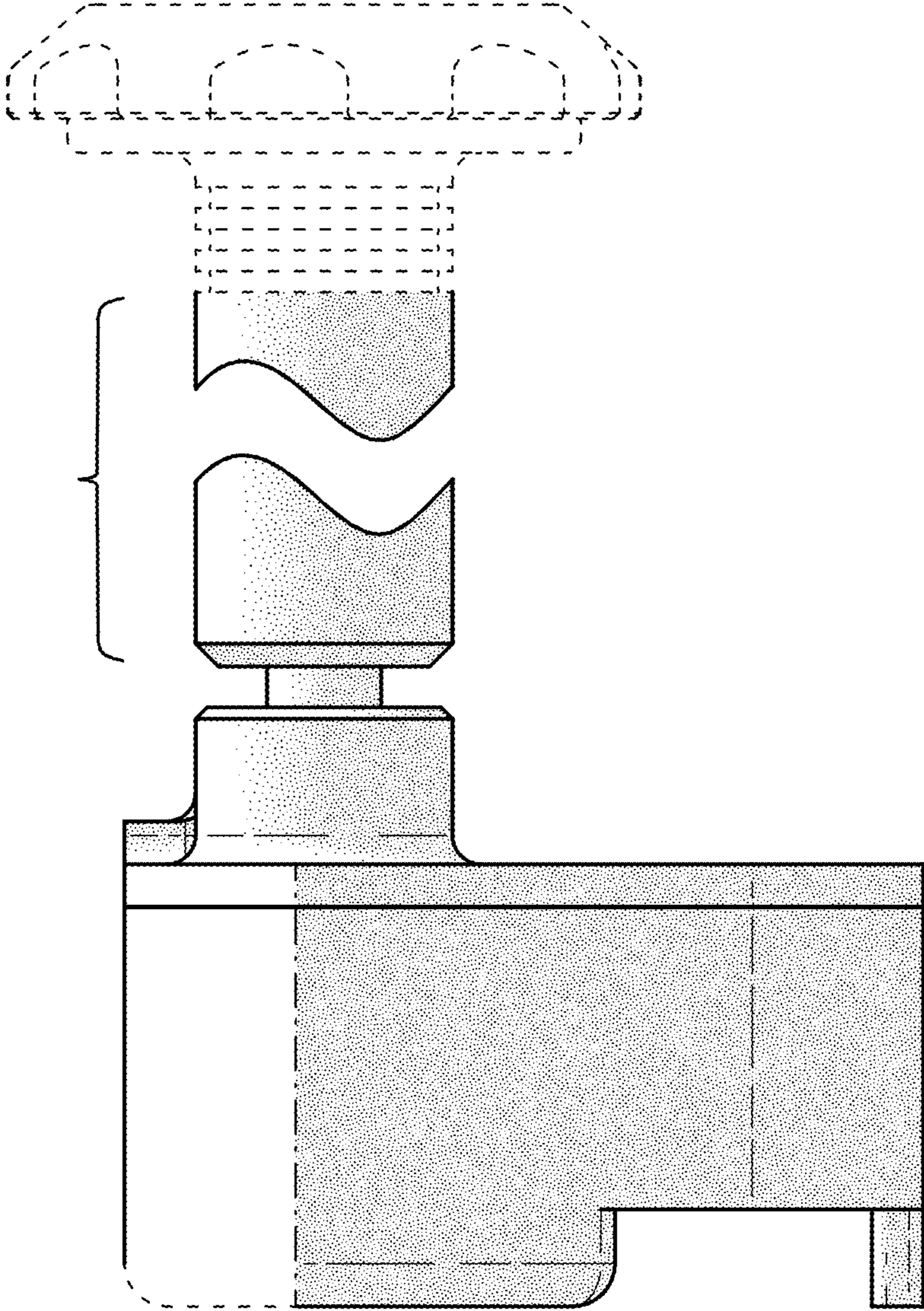


FIG. 4

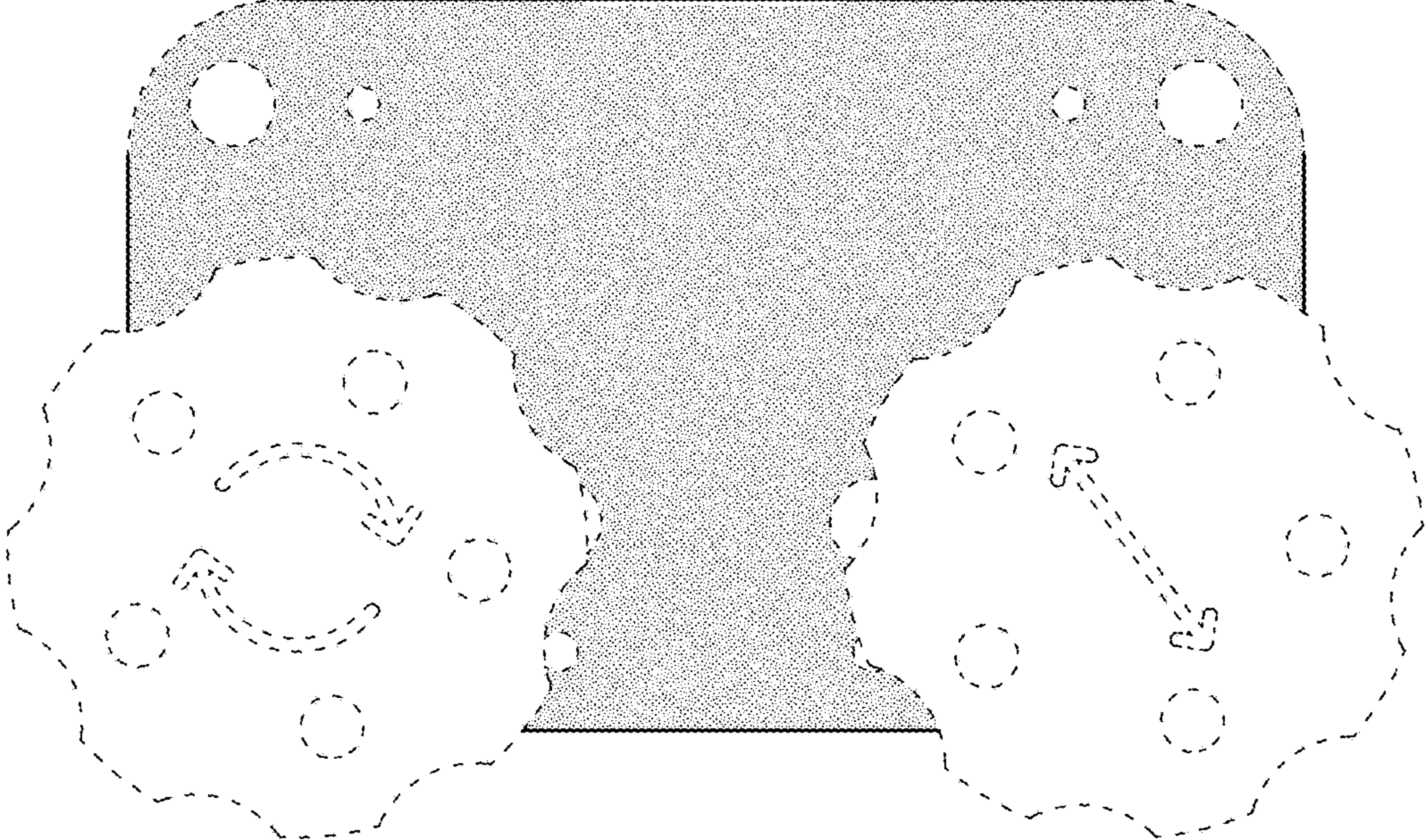


FIG. 5

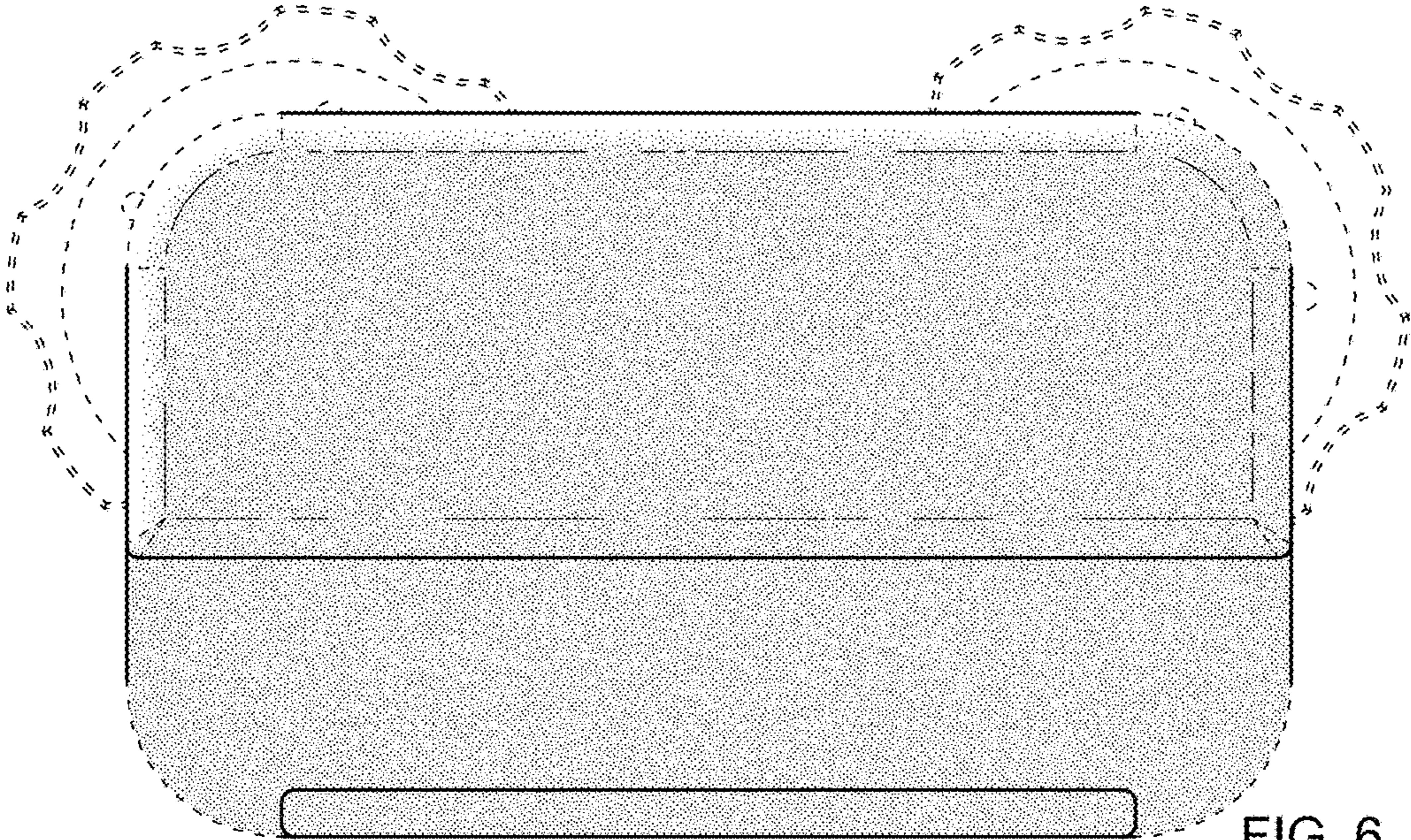
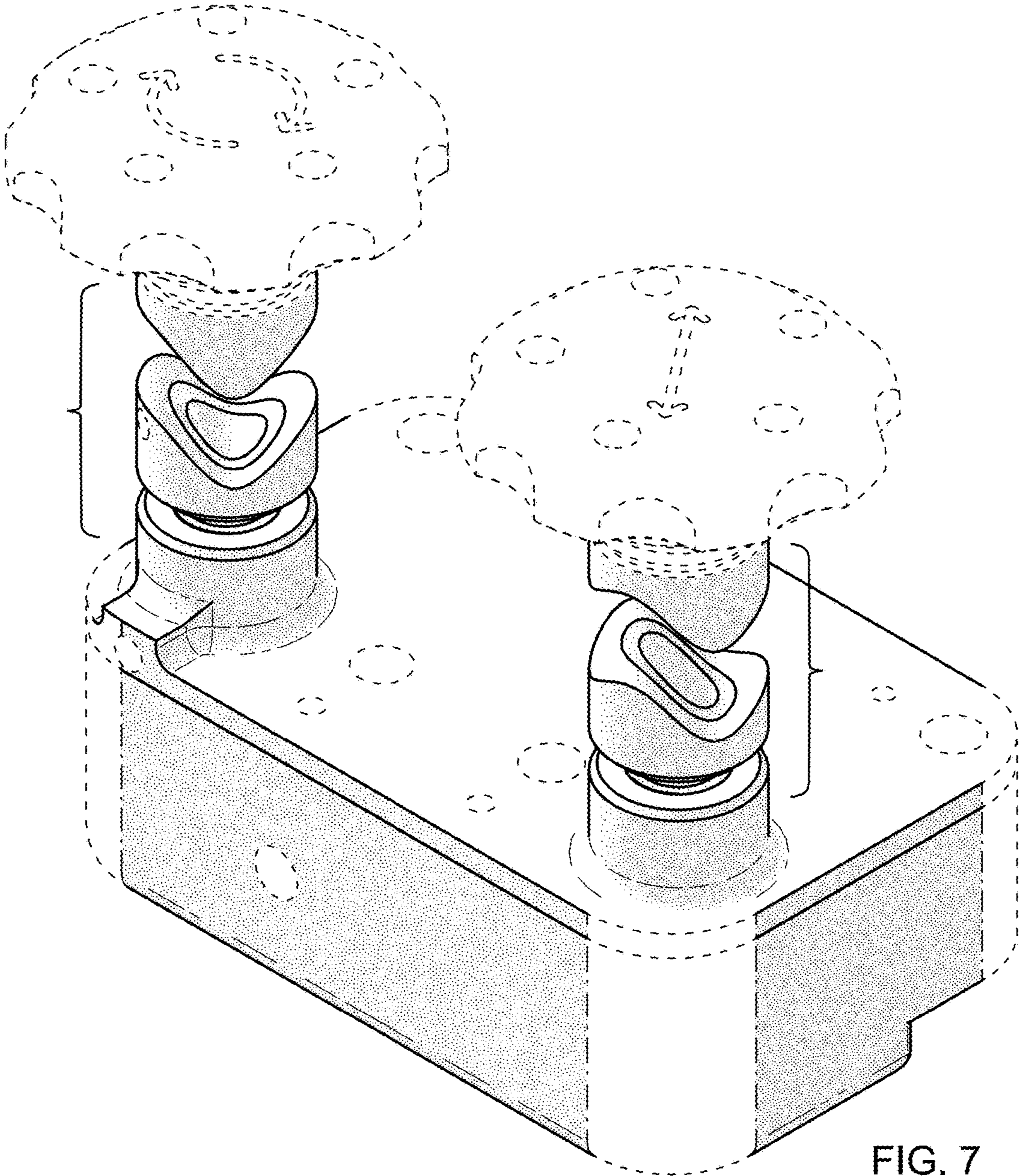


FIG. 6



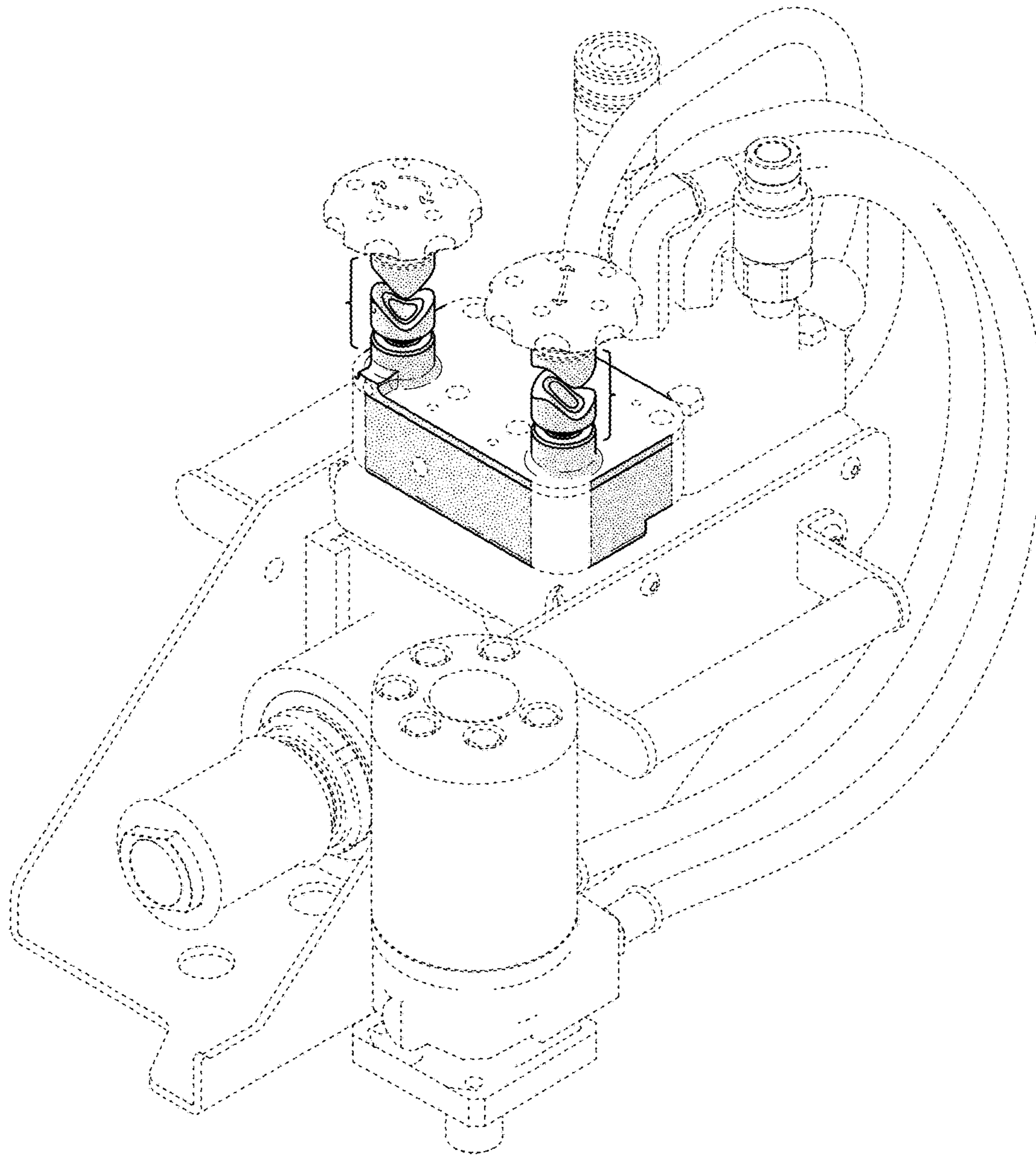


FIG. 8

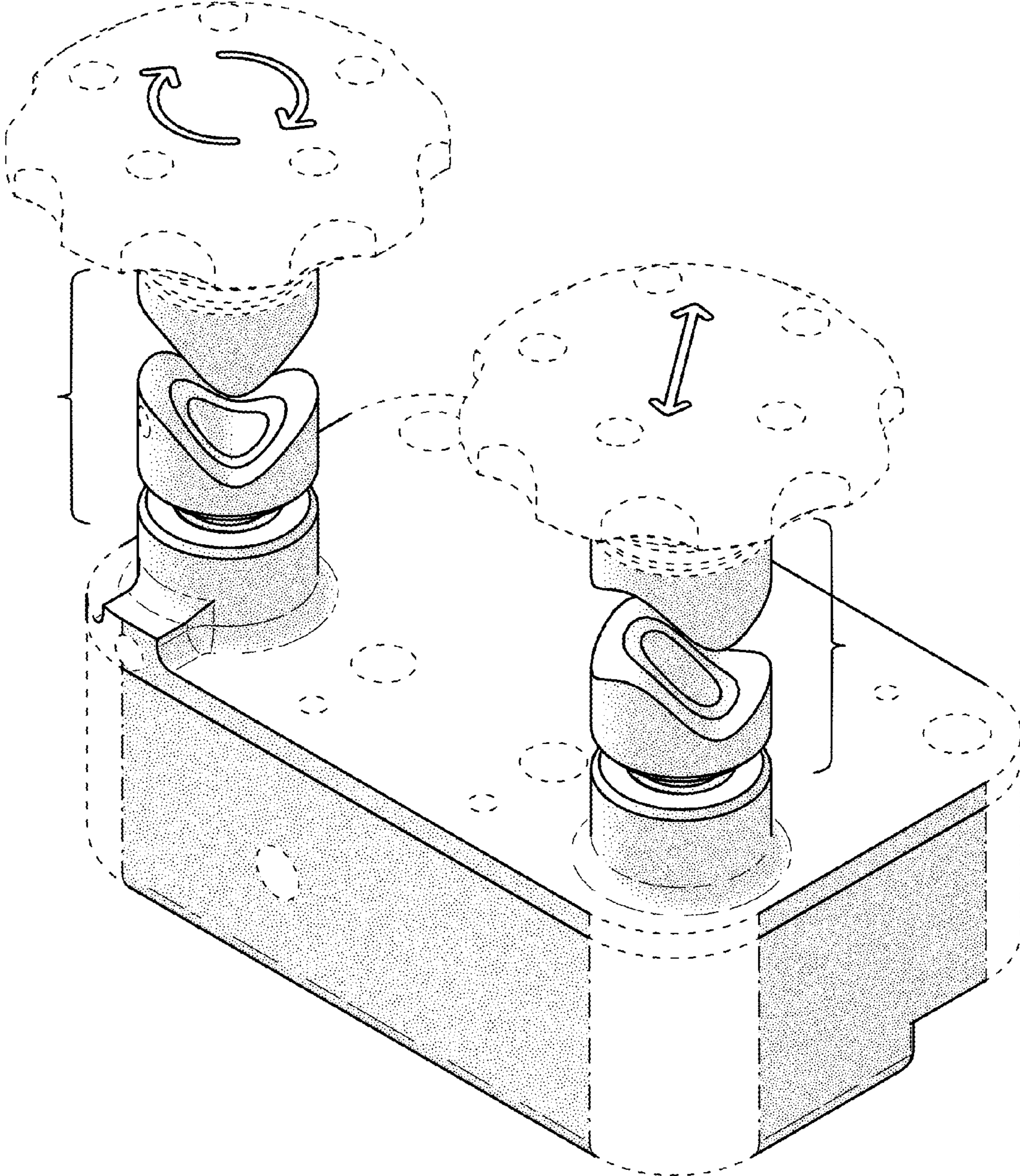


FIG. 9

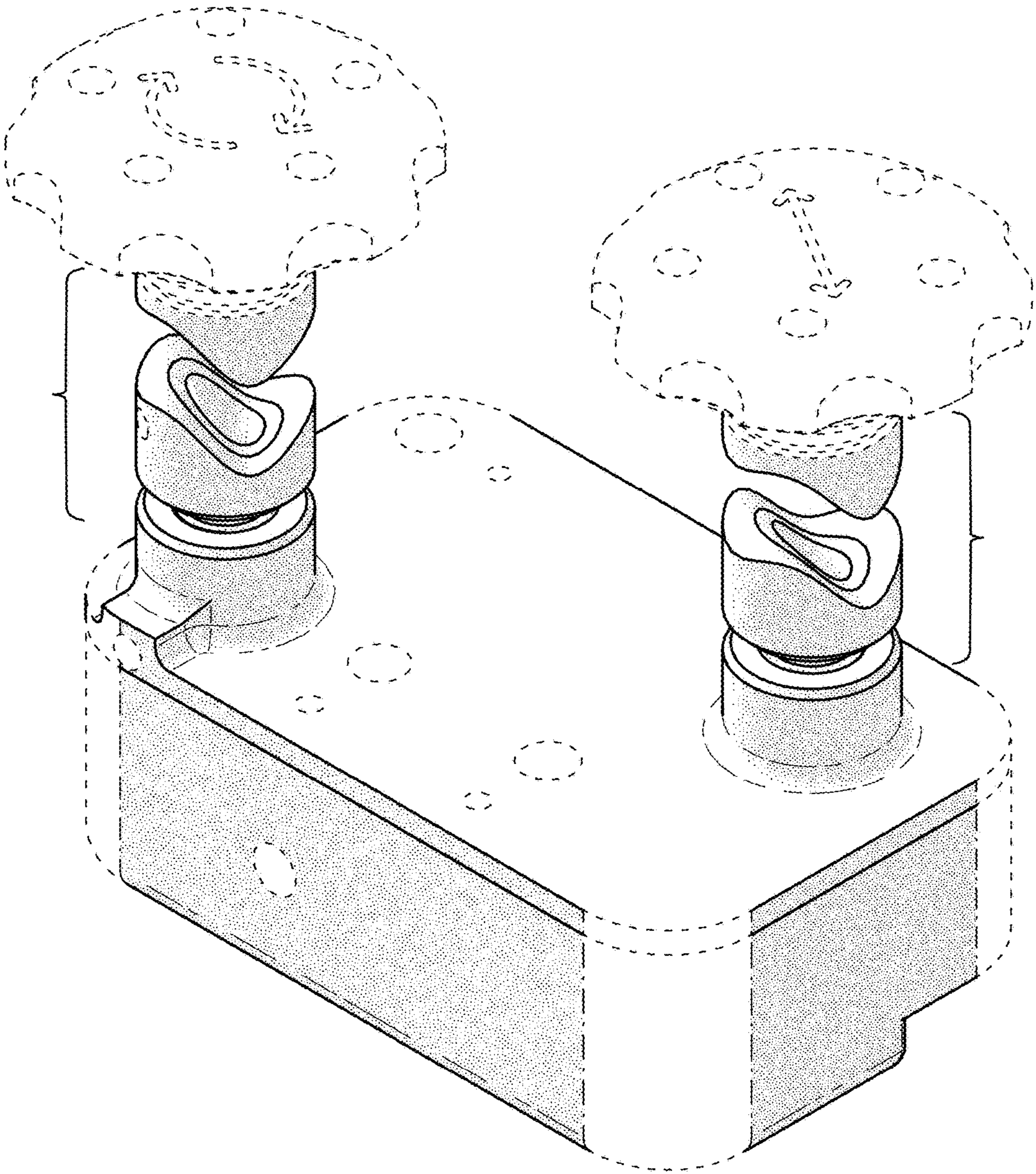


FIG. 10

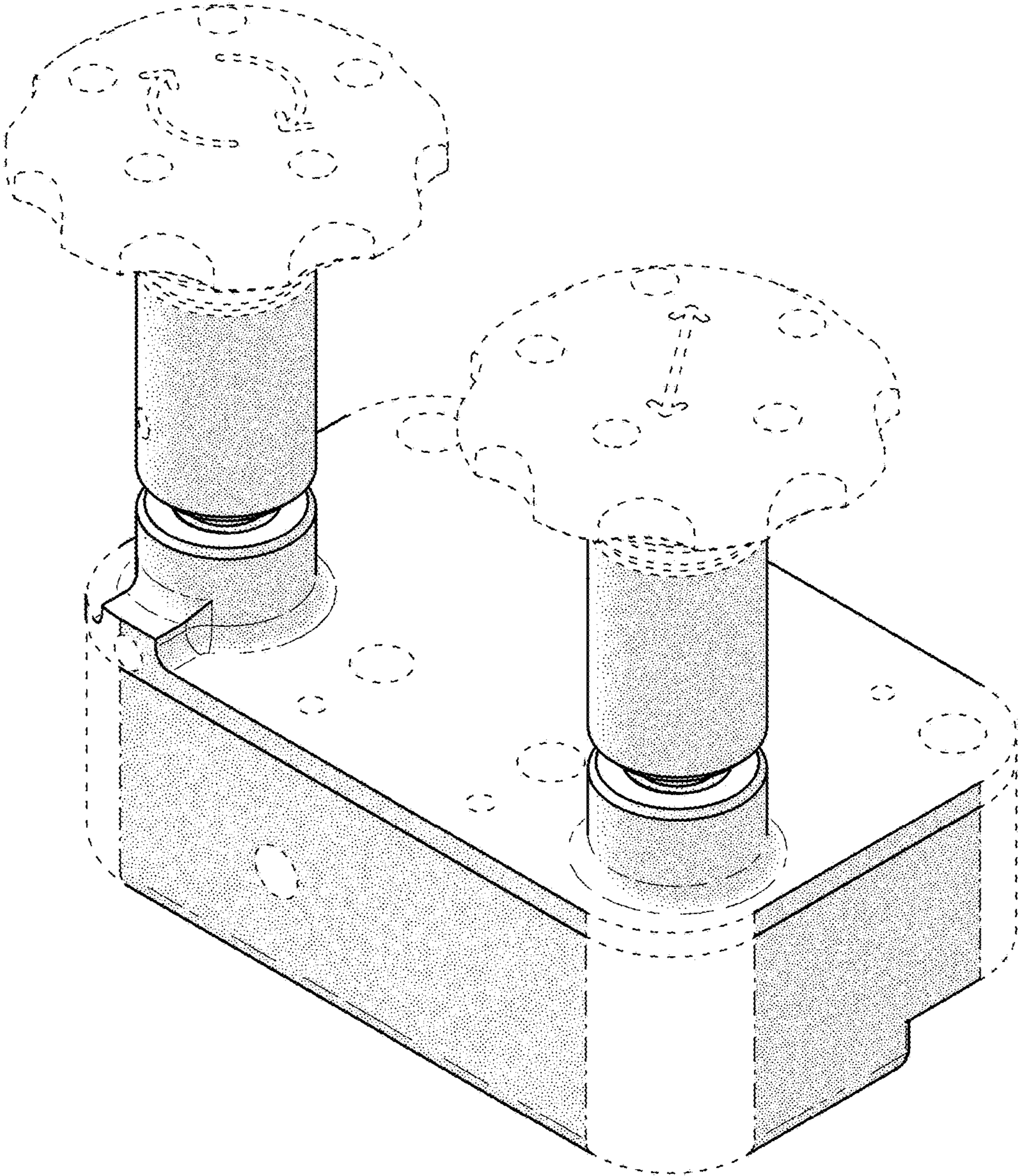


FIG. 11

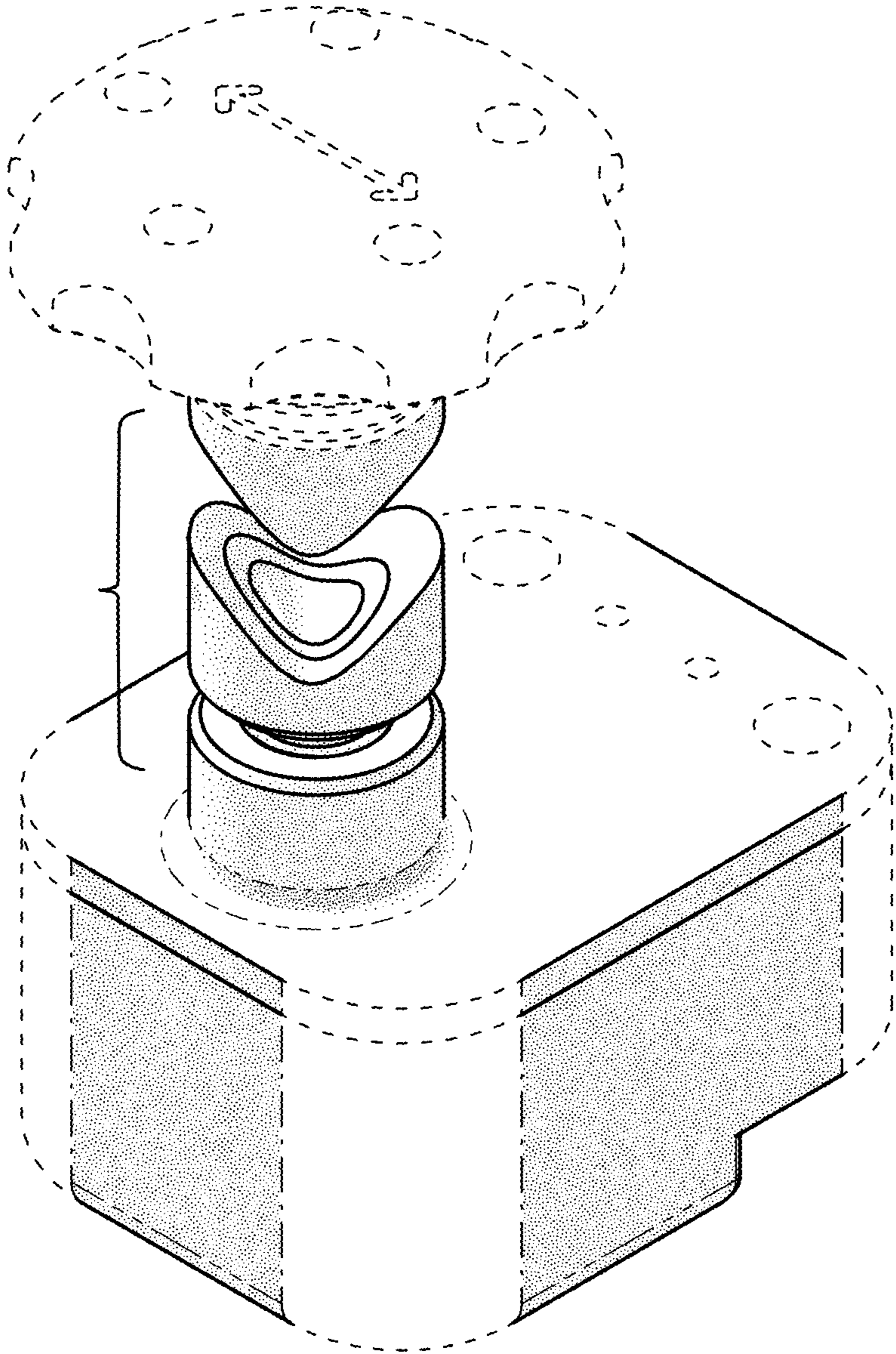


FIG. 12