



US00D807533S

(12) **United States Design Patent** (10) **Patent No.:** **US D807,533 S**  
**Ray** (45) **Date of Patent:** **\*\* Jan. 9, 2018**

(54) **RAIL ATTACHMENT**

(71) Applicant: **James Mitchell Ray**, Willis, TX (US)

(72) Inventor: **James Mitchell Ray**, Willis, TX (US)

(\*\*) Term: **15 Years**

(21) Appl. No.: **29/573,184**

(22) Filed: **Aug. 3, 2016**

(51) **LOC (11) Cl.** ..... **25-01**

(52) **U.S. Cl.**  
USPC ..... **D25/135**

(58) **Field of Classification Search**  
USPC ..... D25/133, 134, 135; 52/93.1; 256/65.01,  
256/65.02, 65.03, 65.04, 65.05, 65.06;  
D12/42, 43, 44, 47  
CPC ... H02B 1/052; H02B 1/0523; E04F 11/1817;  
E04F 2011/1821  
See application file for complete search history.

(56) **References Cited**

**U.S. PATENT DOCUMENTS**

D509,601 S \* 9/2005 Rosian ..... D25/135  
D509,602 S \* 9/2005 Rosian ..... D25/135  
D509,914 S \* 9/2005 Rosian ..... D25/135

D513,331 S \* 12/2005 Rosian ..... D25/135  
D519,650 S \* 4/2006 Rosian ..... D25/135  
D547,464 S \* 7/2007 Petta ..... D25/135  
D780,628 S \* 3/2017 Peach ..... D12/42  
2010/0314522 A1\* 12/2010 Molnar ..... H02B 1/052  
248/346.06  
2016/0076846 A1\* 3/2016 Melancon ..... F41A 23/16  
42/94

\* cited by examiner

*Primary Examiner* — Thomas Johannes  
*Assistant Examiner* — Samantha Q Lawrence  
(74) *Attorney, Agent, or Firm* — Lightfoot & Alford  
PLLC

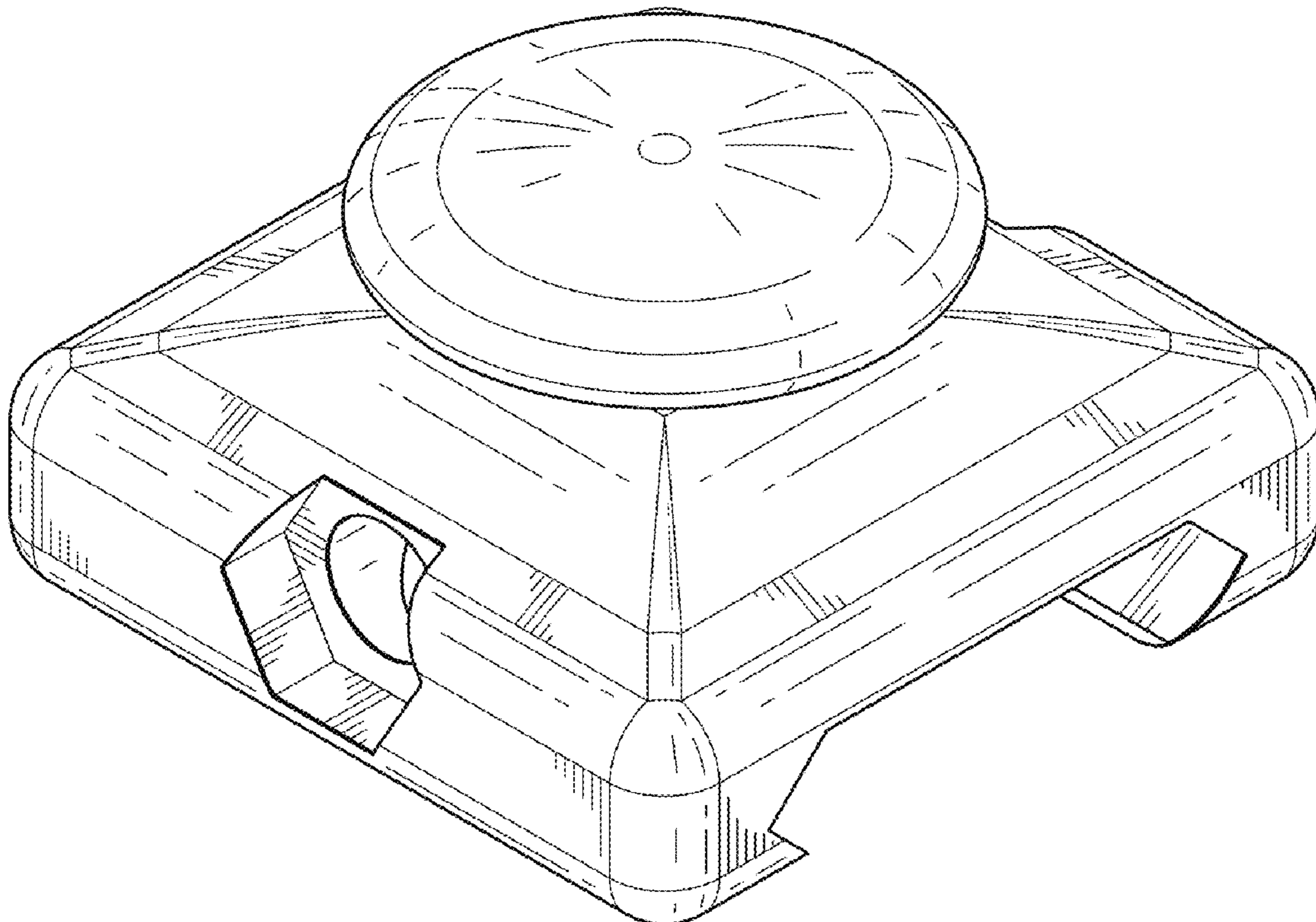
(57) **CLAIM**

The ornamental design for a rail attachment, as shown and described.

**DESCRIPTION**

FIG. 1 is a top perspective view of a rail attachment;  
FIG. 2 is a front plan view thereof;  
FIG. 3 is a back plan view thereof;  
FIG. 4 is a left side view thereof;  
FIG. 5 is a right side view thereof;  
FIG. 6 is a top view thereof;  
FIG. 7 is a bottom view thereof; and,  
FIG. 8 is a bottom perspective view thereof.

**1 Claim, 4 Drawing Sheets**



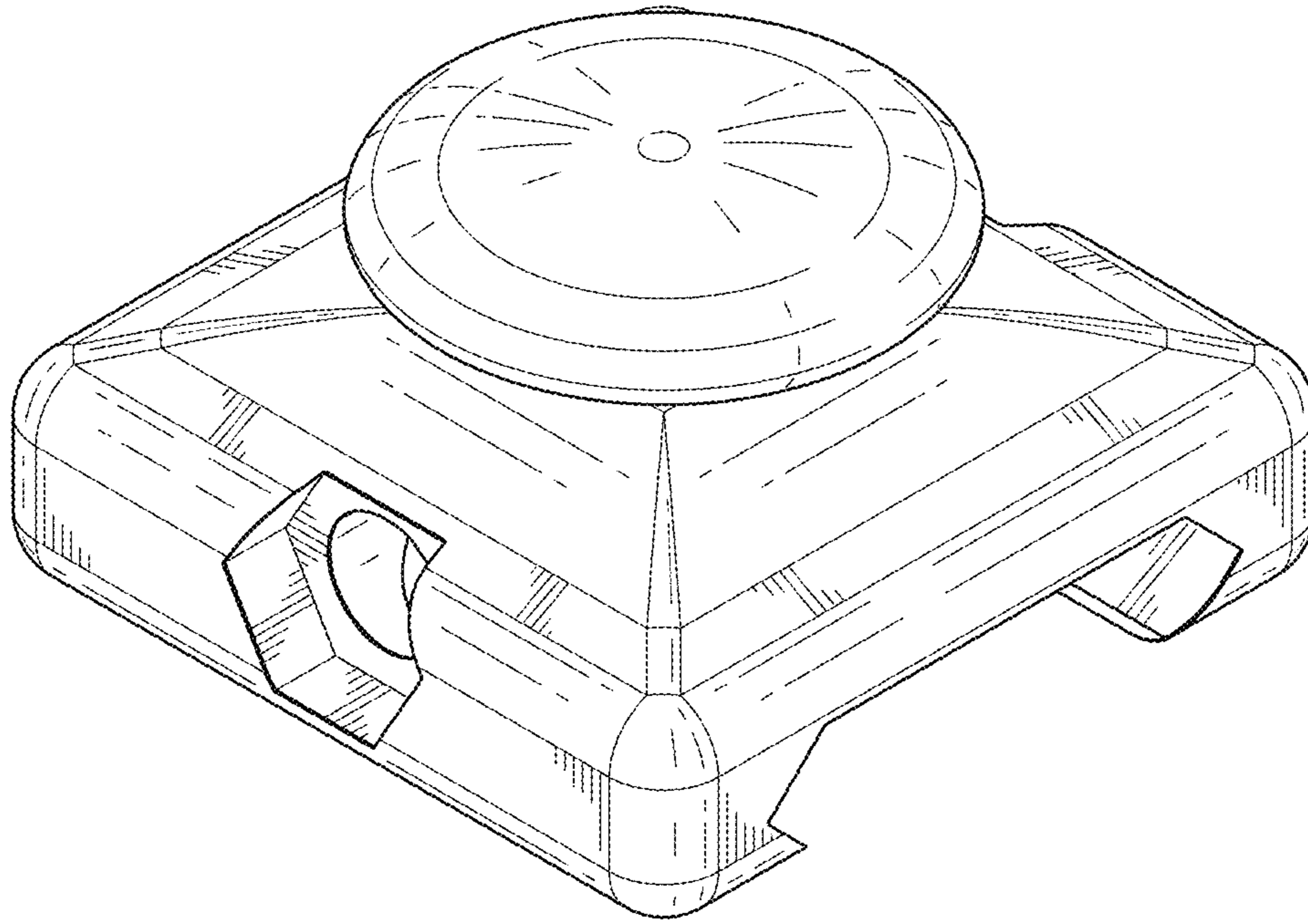


FIG. 1

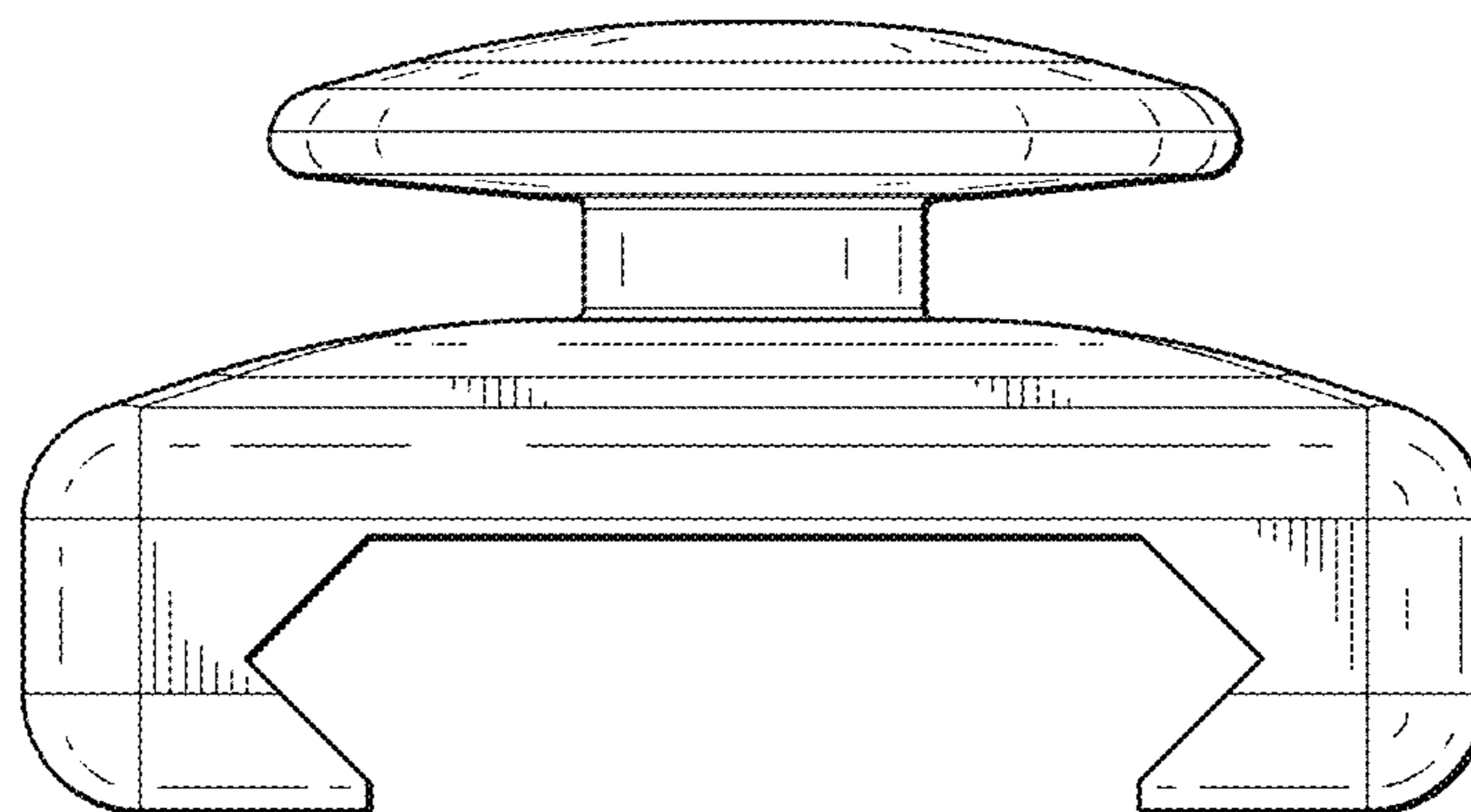


FIG. 2

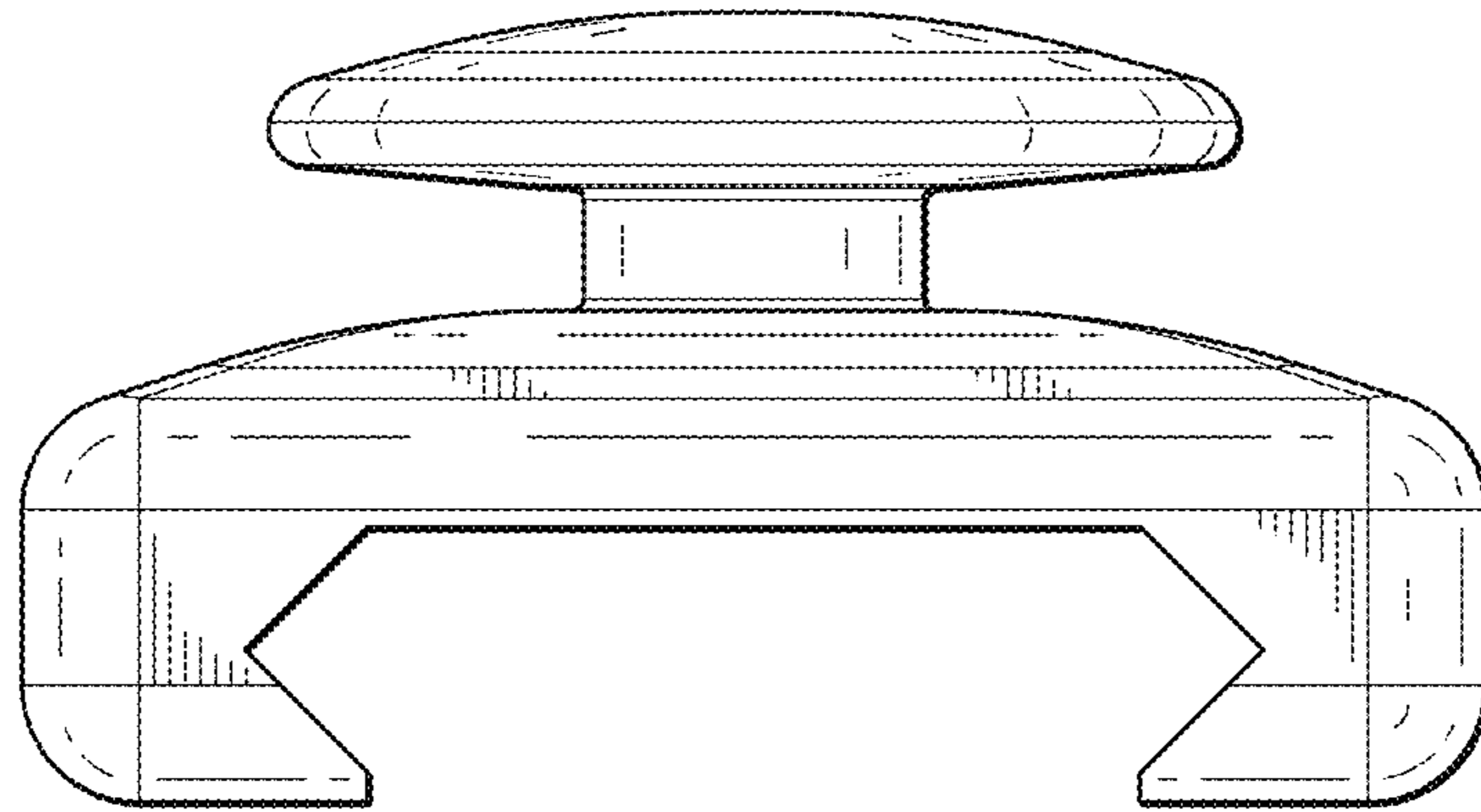


FIG. 3

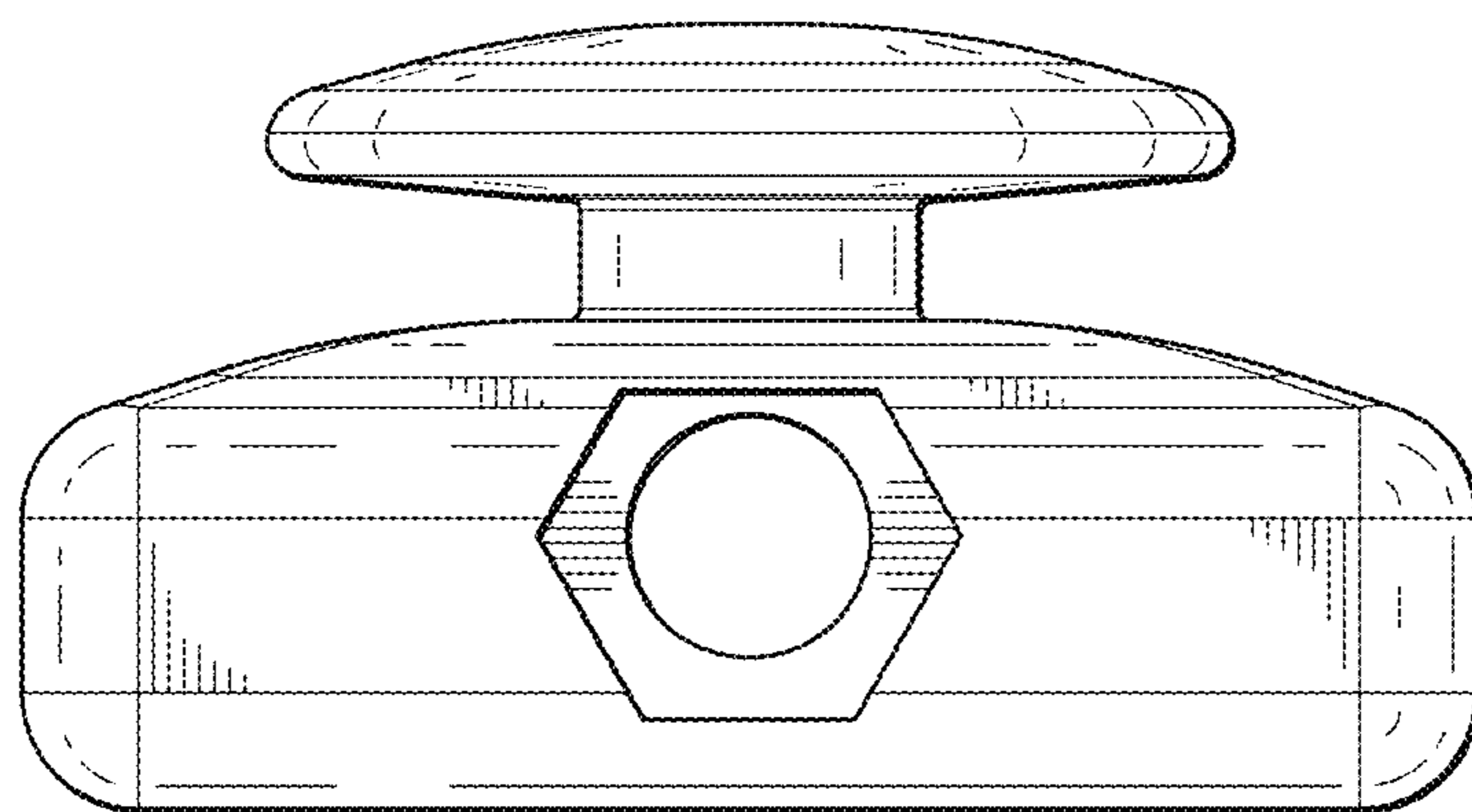


FIG. 4

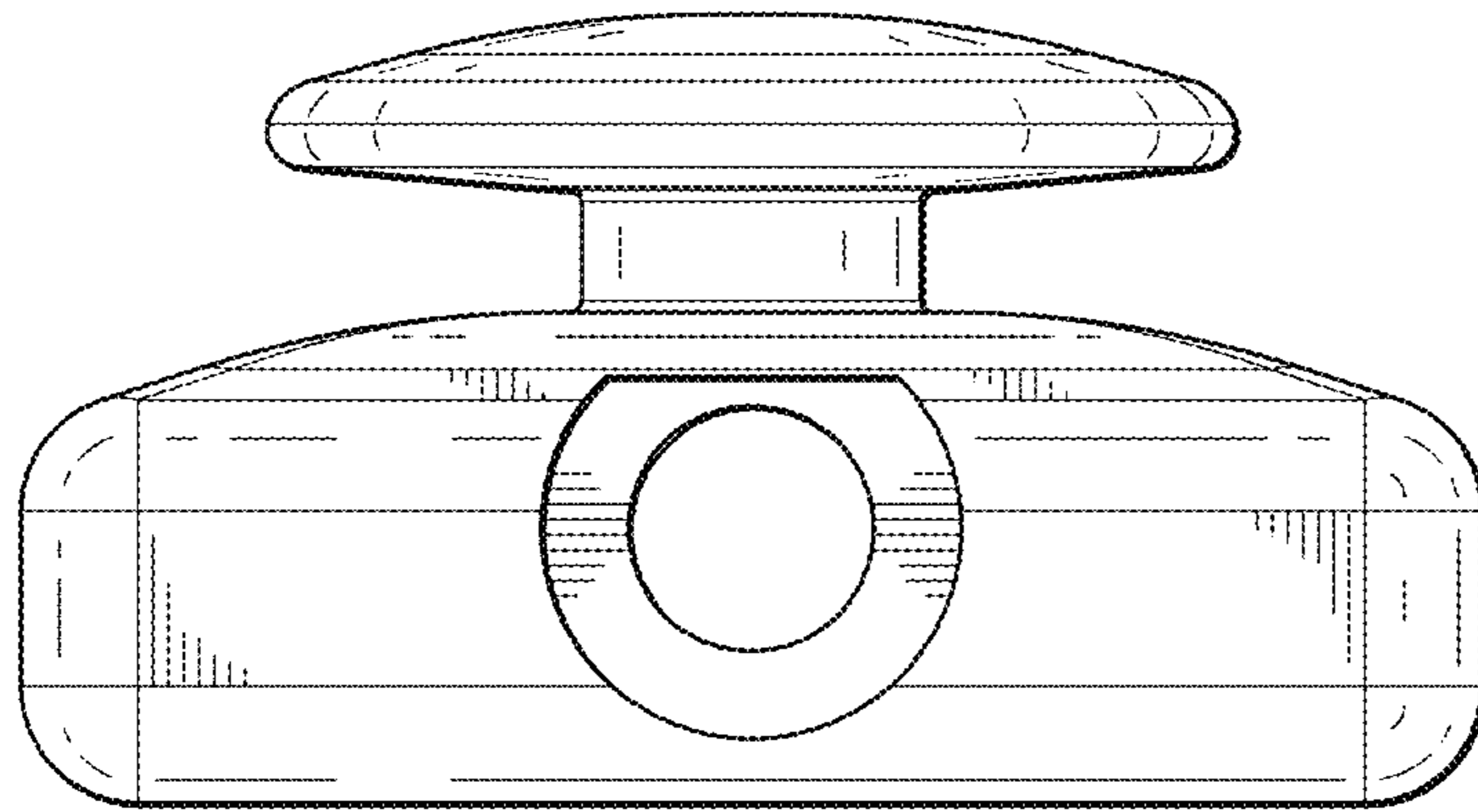


FIG. 5

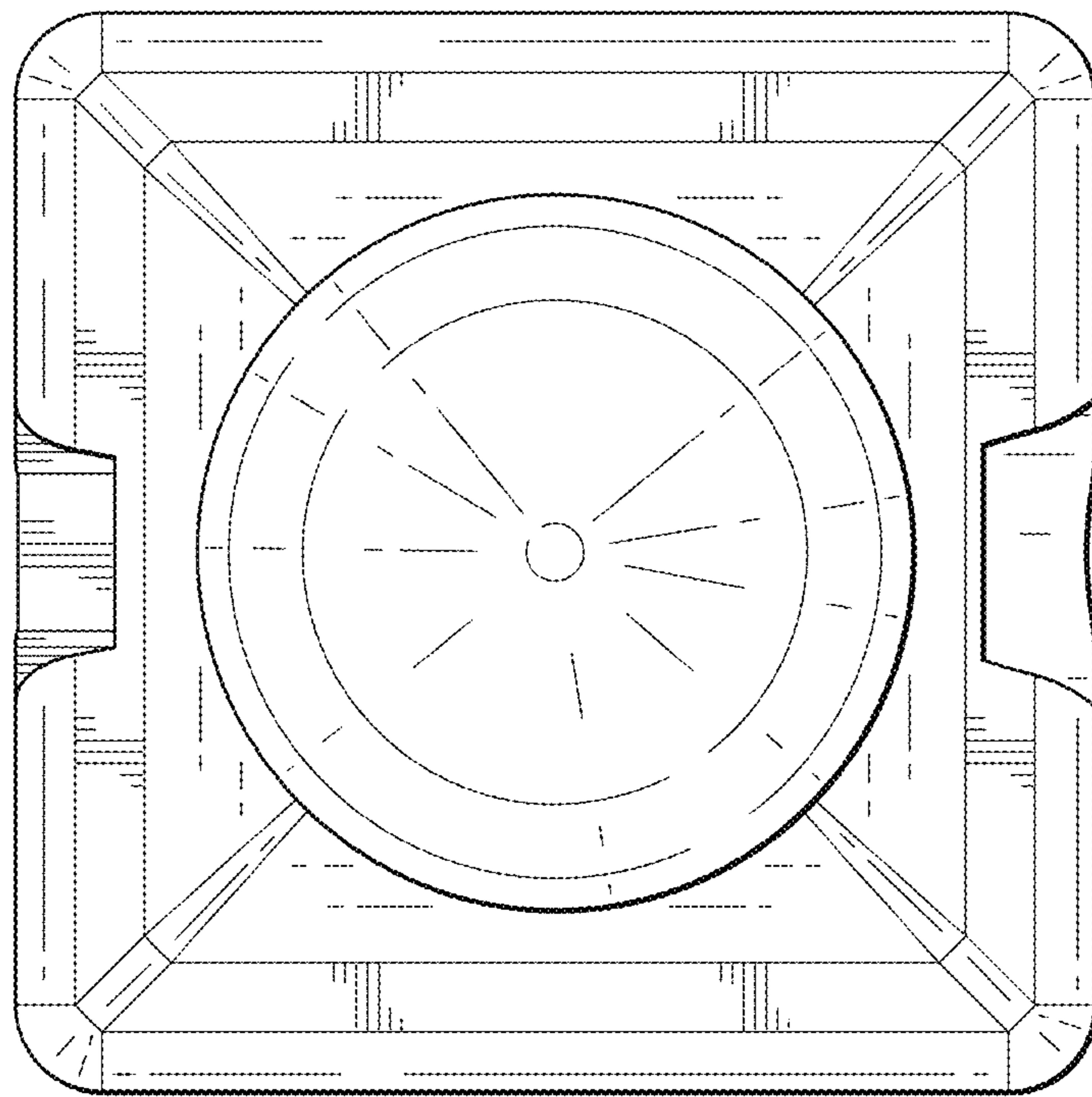


FIG. 6



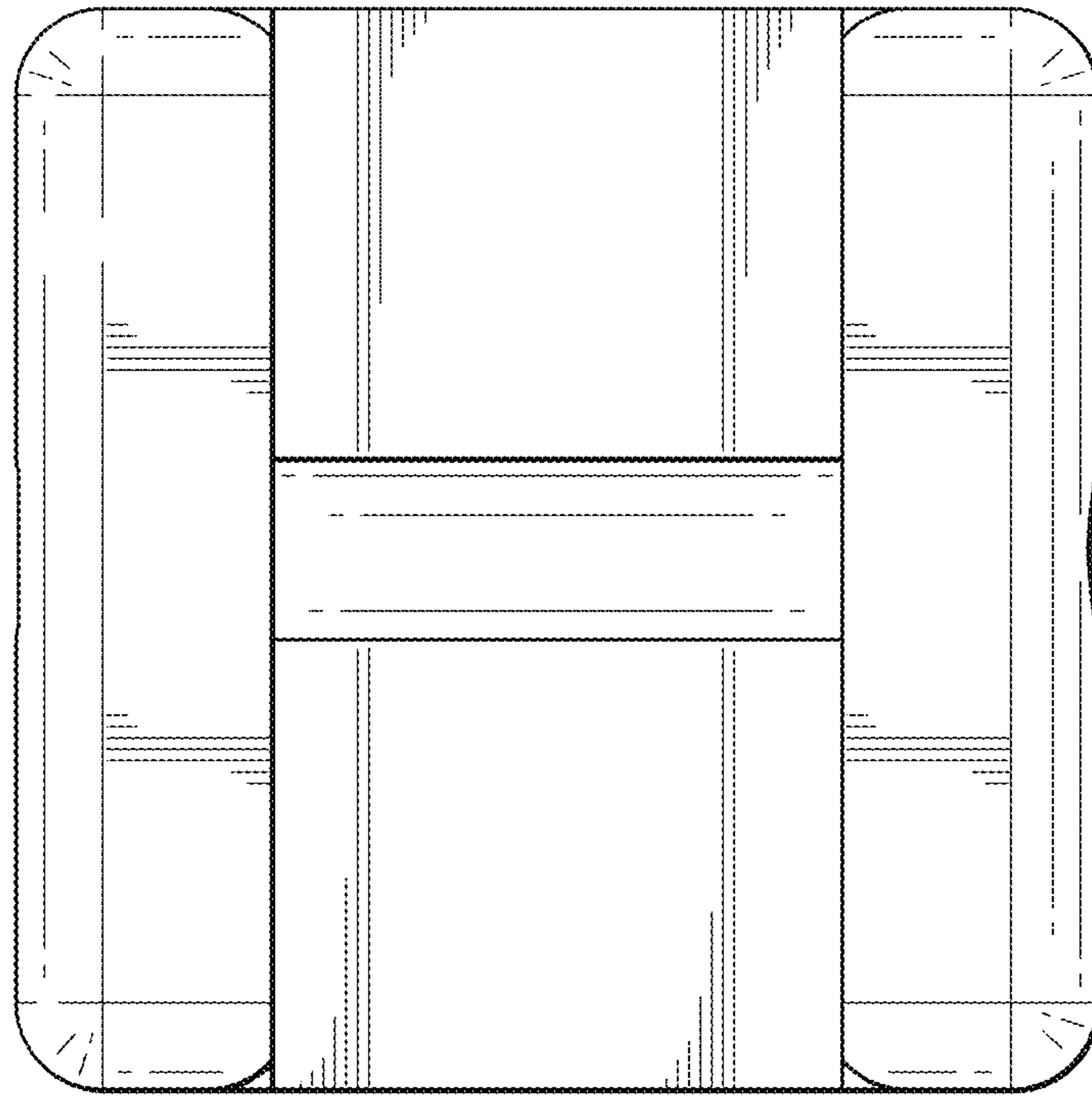


FIG. 7

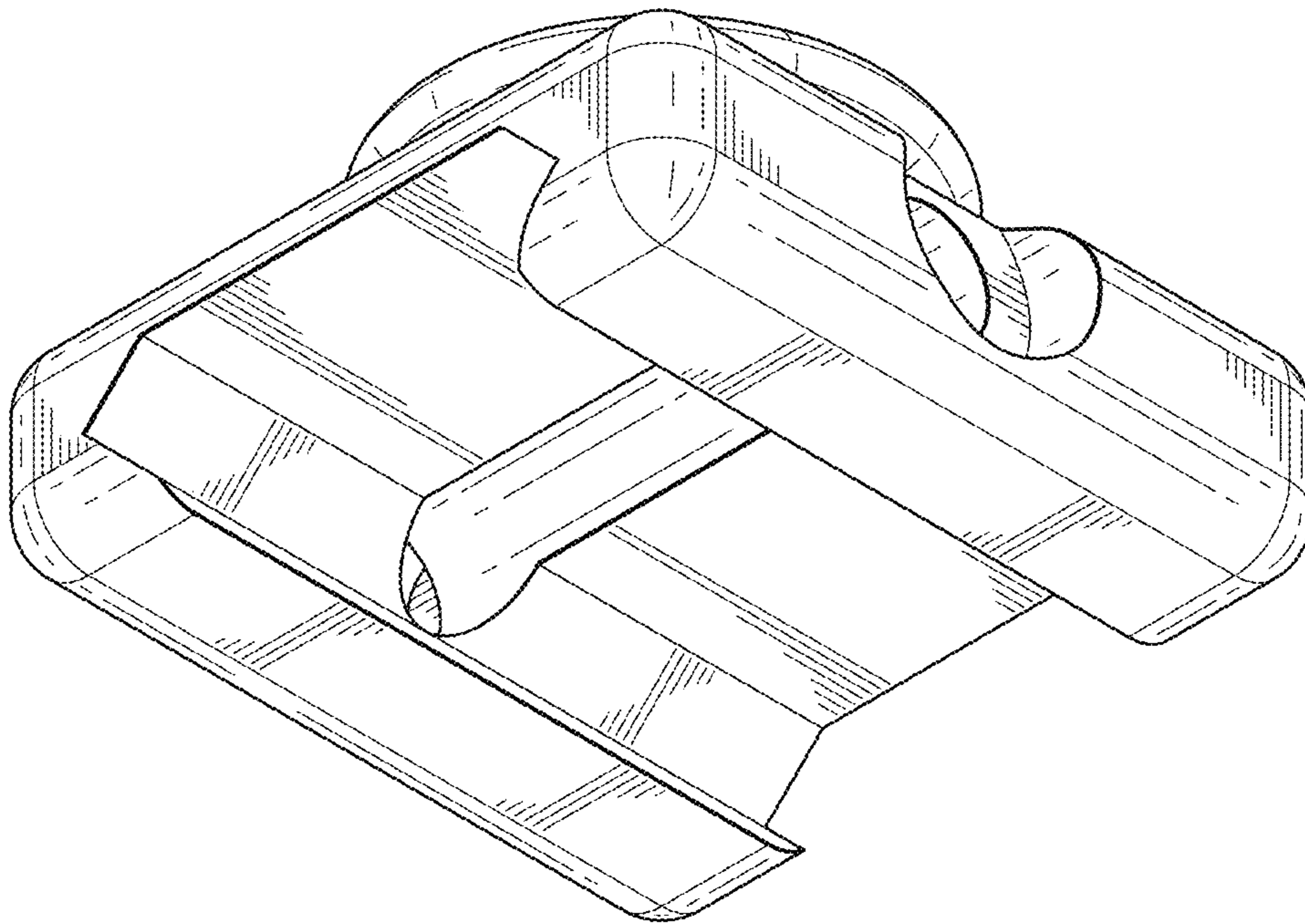


FIG. 8