



US00D807532S

(12) **United States Design Patent**
Kendall et al.

(10) **Patent No.:** **US D807,532 S**
(45) **Date of Patent:** **** Jan. 9, 2018**

(54) **ASTRAGAL TRIM**

(71) Applicant: **Endura Products, Inc.**, Colfax, NC
(US)

(72) Inventors: **Adam Kendall**, Greensboro, NC (US);
Tomasz Jaskiewicz, Oak Ridge, NC
(US)

(73) Assignee: **Endura Products, Inc.**, Colfax, NC
(US)

(**) Term: **15 Years**

(21) Appl. No.: **29/589,130**

(22) Filed: **Dec. 28, 2016**

(51) **LOC (11) Cl.** **25-02**

(52) **U.S. Cl.**
USPC **D25/119**; D25/48.3

(58) **Field of Classification Search**
USPC D25/35, 38.1, 47.1, 48.1, 48.2, 48.3,
D25/48.4, 48.7, 119-126, 131-137, 164,
D25/199; D12/223, 400; D20/42-44;
D34/35; D26/138; D8/349, 354, 376,
D8/377, 378, 380, 381, 382; D6/702,
D6/709, 712, 719

CPC ... E04C 3/00; E04C 3/005; E04C 3/02; E04C
3/04; E04C 3/12; E04C 3/20; E04C 3/28;
E04C 3/30; E04F 19/02; E04F 19/022;
E04F 19/026; E04F 19/028; E04F 19/04;
E04F 19/0436; E04F 19/0481; E04F
19/0486; E04F 19/06; E04F 19/061;
E06B 1/00; E06B 1/006; E06B 1/02;
E06B 1/04; E06B 1/045; E06B 1/12;
E06B 1/16; E06B 1/34; E06B 1/342;
E06B 1/345; E06B 1/347; E06B 1/36;
E06B 1/363; E06B 1/366; E06B 1/38;
E06B 1/40; E06B 1/52; E06B 1/522;
E06B 1/524; E06B 1/526; E06B 1/528;
E06B 1/56; E06B 1/60; E06B 1/6092;
E06B 1/62; E06B 1/70; E06B 1/702;
E06B 1/705; E06B 1/707; E04B 2/00;

E04B 2/74; E04B 2/76; E04B 2/761;
E04B 2/762; E04B 2/763; E04B 2/764;
E04B 2/765; E04B 2/7854; E04B 2/7863;
E04B 2/7872; E04B 2/7881; E04B 2/789;
E04B 2001/2436; E04B 2001/2439; E04B
2001/2442; E04B 2001/2445; E04B
2001/2448; E04B 2001/2451; E04B
(Continued)

(56) **References Cited**

U.S. PATENT DOCUMENTS

1,841,868 A 1/1932 Wuebling
2,766,861 A * 10/1956 Abramson E04F 13/0864
D25/58

(Continued)

Primary Examiner — Cynthia Ramirez

Assistant Examiner — Llorellys Martinez-Rivera

(74) *Attorney, Agent, or Firm* — Womble Bond Dickinson
(US) LLP

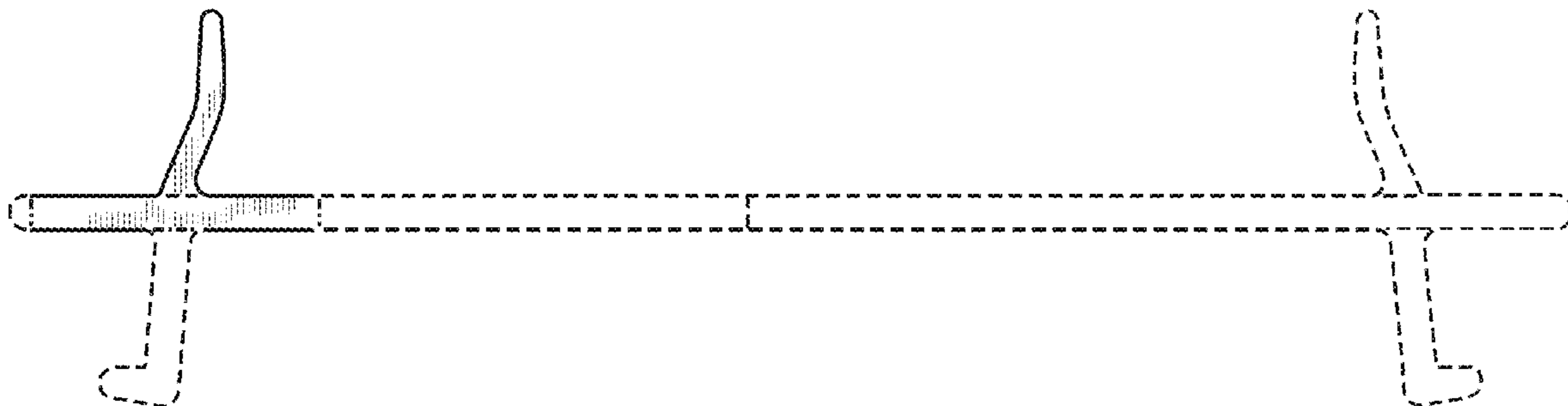
(57) **CLAIM**

The ornamental design for an astragal trim, as shown and
described.

DESCRIPTION

FIG. 1 is a front end view of an astragal trim showing our
new design;
FIG. 2 is a front perspective view thereof;
FIG. 3 is a rear perspective view thereof; and,
FIG. 4 is another front end view thereof, showing the
astragal trim in an environment of use.
The dash-dot lines immediately adjacent to the shaded areas
represent unclaimed boundaries of the claimed design. The
dash-dash lines immediately adjacent to the shaded areas in
FIGS. 1 through 4 represent portions of the astragal trim that
form no part of the claimed design. The other broken lines
in FIG. 4 illustrate environmental subject matter only and
form no part of the claimed design.

1 Claim, 4 Drawing Sheets



(58) **Field of Classification Search**
 CPC 2001/2454; E04B 2001/2457; E04B
 2001/246; E04B 2001/2463
 See application file for complete search history.

(56) **References Cited**

U.S. PATENT DOCUMENTS

3,411,752 A * 11/1968 Bos E04F 11/181
 D25/38.1
 3,703,061 A * 11/1972 Holland E06B 3/485
 D25/48.4
 D237,267 S * 10/1975 Edwards D25/123
 4,429,493 A 2/1984 St. Aubin
 D300,371 S * 3/1989 Hansen D25/121
 D310,287 S * 9/1990 Pellegrino D25/123
 D325,640 S * 4/1992 Ballstadt D25/119
 5,328,217 A * 7/1994 Sanders E05B 15/0245
 292/341.19
 5,335,450 A 8/1994 Procton
 5,471,793 A 12/1995 Magoon
 D373,961 S * 9/1996 Nagai D25/121
 5,857,291 A 1/1999 Headrick
 D408,932 S * 4/1999 Hart D25/122
 6,006,489 A * 12/1999 Zadok E04B 1/0046
 52/204.53
 D462,601 S * 9/2002 Chaney D25/119

6,491,326 B1 * 12/2002 Massey E05C 1/04
 292/162
 D471,646 S * 3/2003 Westphal D25/122
 7,000,959 B2 2/2006 Sanders
 D548,368 S * 8/2007 Hale D25/121
 D553,261 S * 10/2007 Antonic D25/119
 D554,773 S * 11/2007 Antonic D25/119
 D574,518 S * 8/2008 Antonic D25/121
 7,607,646 B2 * 10/2009 Bland E04C 3/28
 52/847
 D606,670 S * 12/2009 Keeley D25/121
 D609,373 S * 2/2010 Curtas D25/199
 D612,072 S * 3/2010 Keeley D25/121
 D672,473 S 12/2012 Chapman
 D695,422 S * 12/2013 Krieger E04F 13/0826
 D25/119
 D722,387 S * 2/2015 Van Camp D25/48.2
 D733,926 S * 7/2015 Van Camp D25/48.2
 9,097,043 B2 8/2015 Mitchell et al.
 9,249,616 B2 * 2/2016 Ball E06B 7/22
 D775,368 S * 12/2016 Jaskiewicz D25/48.2
 D780,945 S * 3/2017 Guillemi D25/119
 D794,215 S * 8/2017 Reutlinger D25/48.3
 2003/0052492 A1 * 3/2003 Massey E05C 1/04
 292/341.15
 2017/0218682 A1 * 8/2017 Chapman E06B 1/32
 52/656.2

* cited by examiner

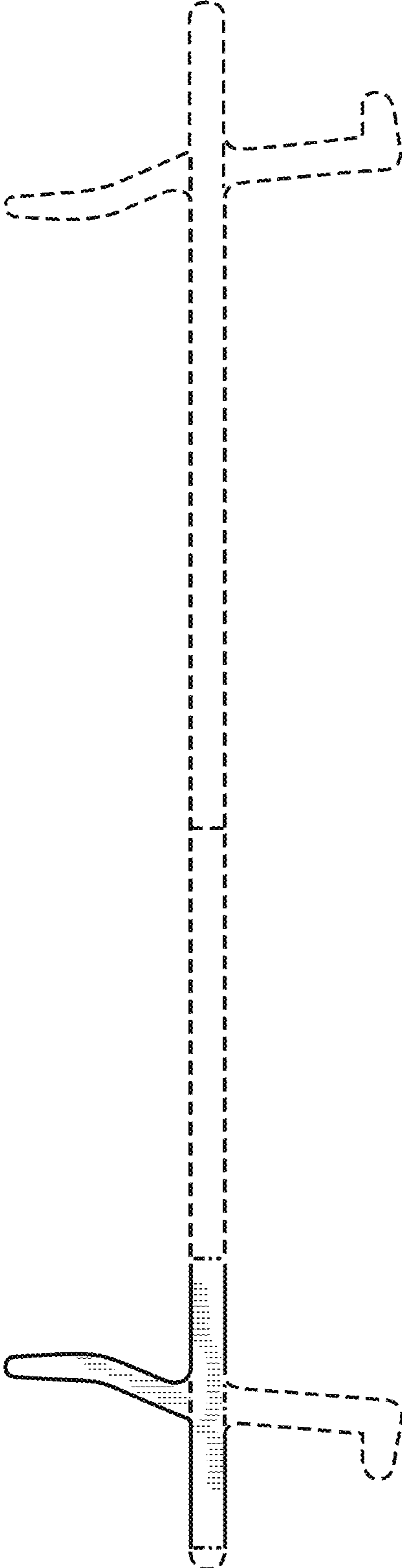


FIG. 1

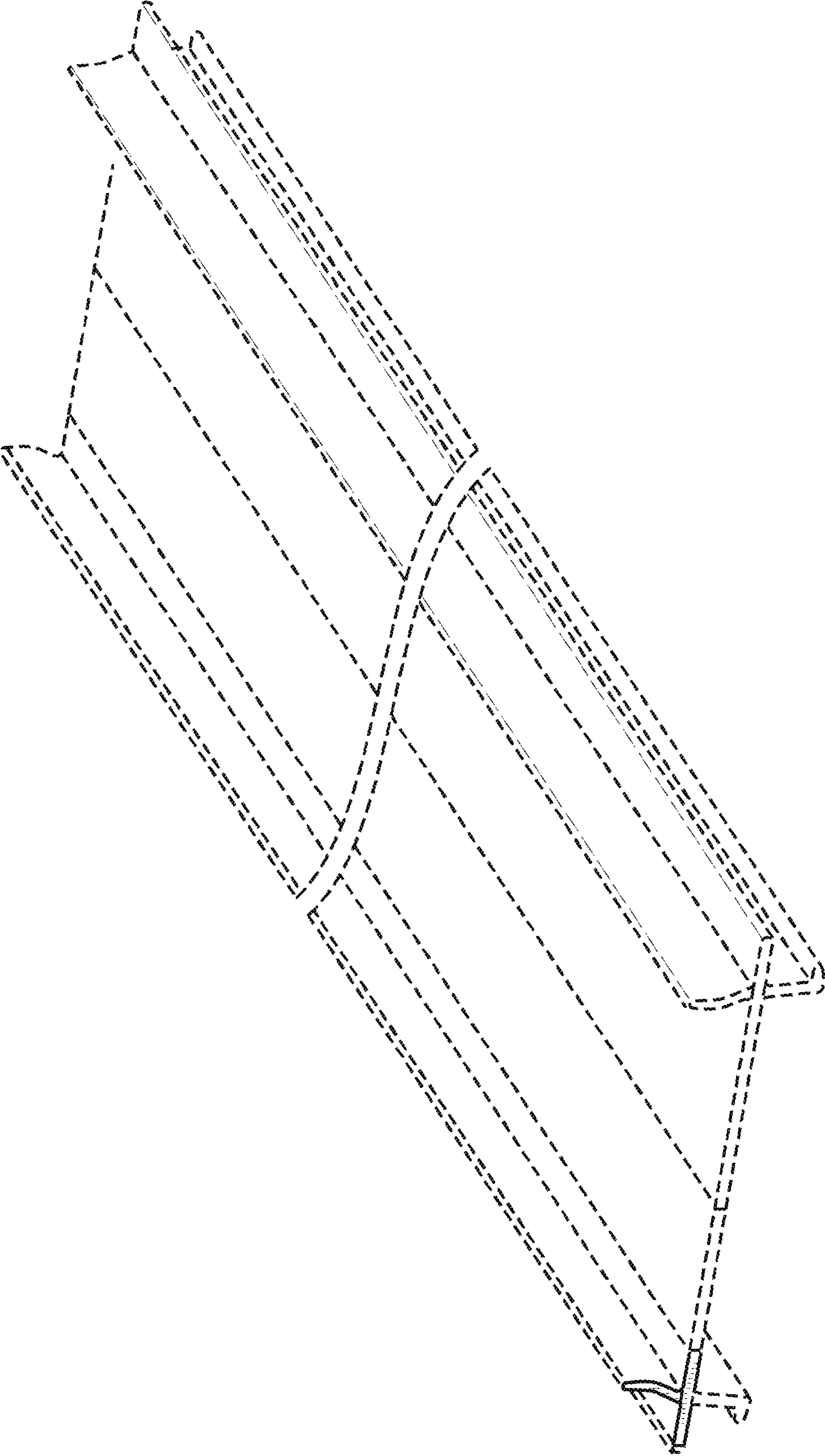


FIG. 2

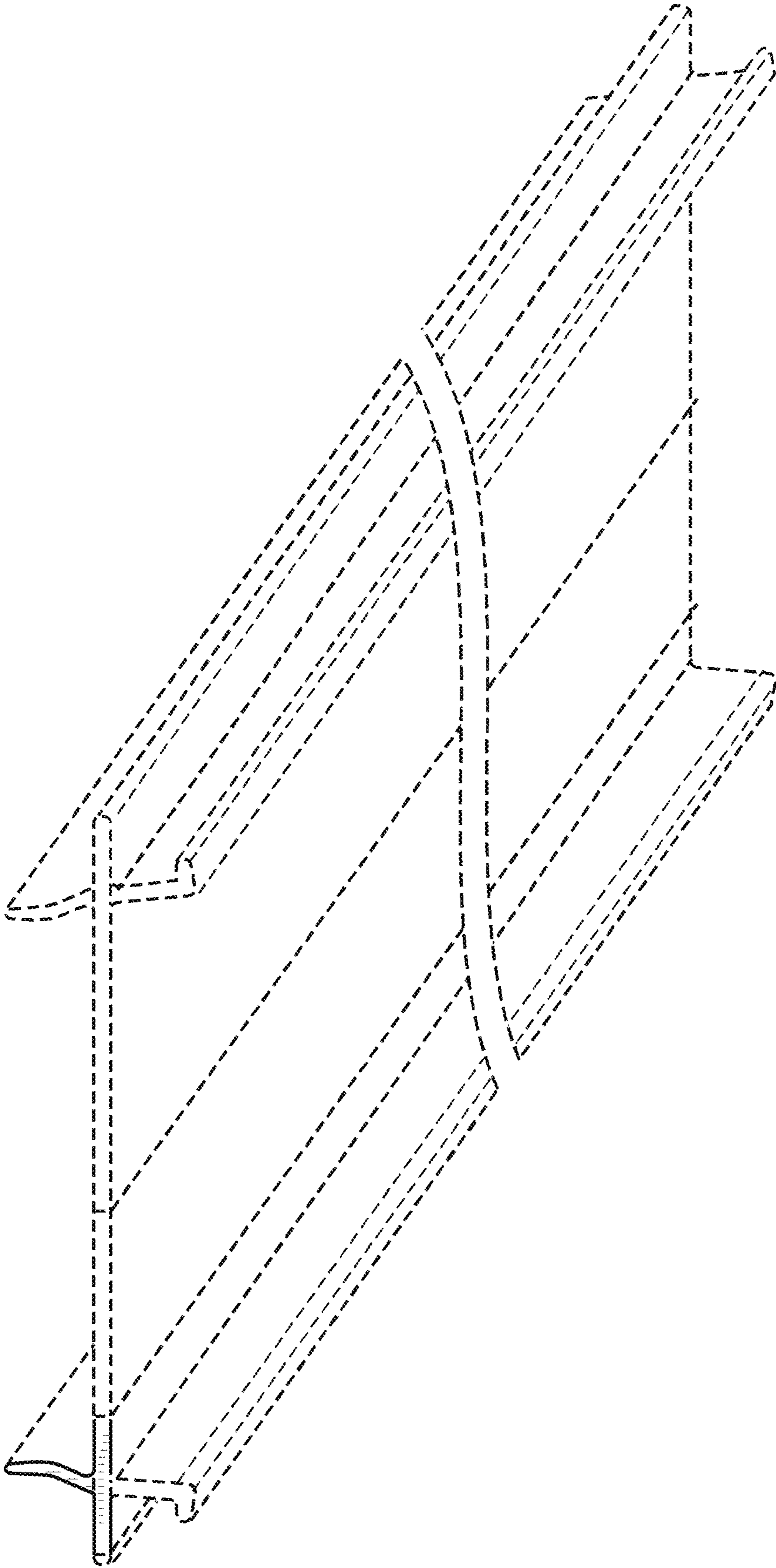


FIG. 3

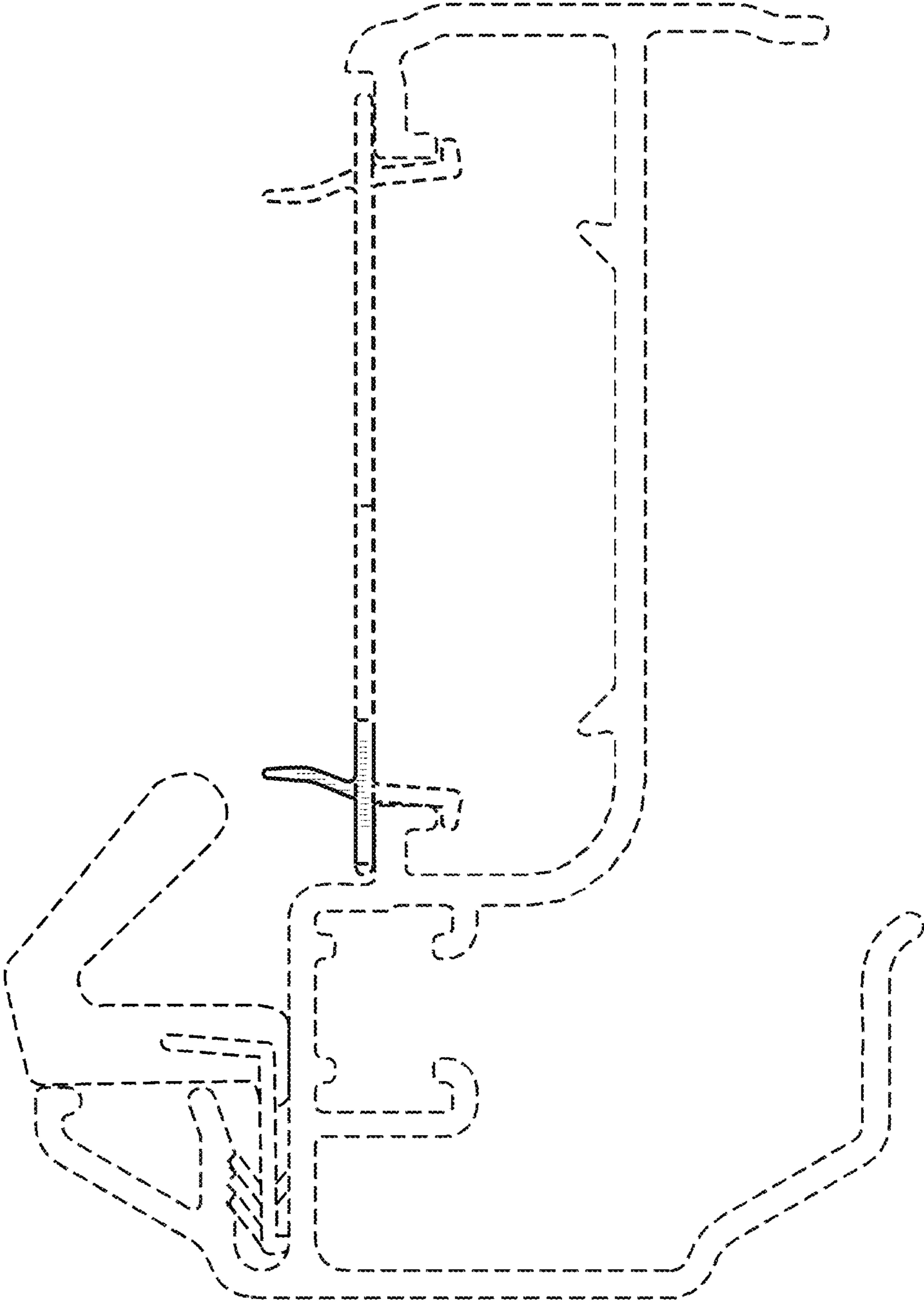


FIG. 4