



US00D807531S

(12) **United States Design Patent**
Manning

(10) **Patent No.:** **US D807,531 S**
(45) **Date of Patent:** **** Jan. 9, 2018**

(54) **FLEXIBLE SEAL**

(71) Applicant: **YU SEAL LIMITED**,
Northhamptonshire (GB)
(72) Inventor: **Keith Manning**, Northhamptonshire
(GB)
(73) Assignee: **YUSEAL LIMITED**,
Northhamptonshire (GB)
(**) Term: **15 Years**

(21) Appl. No.: **29/571,868**

(22) Filed: **Jul. 22, 2016**

(30) **Foreign Application Priority Data**

Jan. 21, 2014 (GB) 1400959.1

(51) **LOC (11) Cl.** **25-99**

(52) **U.S. Cl.**
USPC **D25/119; D25/164**

(58) **Field of Classification Search**
USPC ... D25/48.1, 48.2, 48.3, 48.4, 48.7, 55, 102,
D25/113, 119, 164, 199; D8/400, 402,
D8/403
CPC E04B 1/68; E04B 1/6801; E04B 1/6803;
E04B 1/6806; E04B 1/6807; E04B
1/6809; E04B 1/6812; E04B 1/6813;
E04B 1/6815; E04B 1/6816; E04B
2001/6818; E04F 19/02; E04F 19/022;
E04F 19/026; E04F 19/028; E04F 19/04;
E04F 19/0436; E04F 19/0481; E04F
19/0486; E04F 19/06; E04F 19/061; B60J
10/00; B60J 10/15; B60J 10/16; B60J
10/17; B60J 10/20; B60J 10/21; B60J
10/22; B60J 10/25; B60J 10/26; B60J
10/30; B60J 10/34; B60J 10/36; B60J
10/40; B60J 10/70; B60J 10/72; B60J
10/74; B60J 10/80

See application file for complete search history.

(56) **References Cited**

U.S. PATENT DOCUMENTS

D9,363 S * 7/1876 Cummings D25/119
D28,865 S * 6/1898 Baker D25/119
4,706,427 A * 11/1987 Zeilinger E04F 19/045
52/287.1
4,829,730 A * 5/1989 Zeilinger E04F 19/02
52/287.1
D309,343 S * 7/1990 Koza D25/119
D373,962 S * 9/1996 Nagai D25/119
6,401,418 B1 * 6/2002 Senn E04F 19/04
52/287.1
D474,055 S * 5/2003 Brewster D6/707
7,832,161 B2 * 11/2010 Ligabue E04F 19/022
D25/121
D654,191 S * 2/2012 Wink D25/119
D698,950 S * 2/2014 Wink D25/164

(Continued)

Primary Examiner — Cynthia Ramirez
Assistant Examiner — Llorellys Martinez-Rivera
(74) *Attorney, Agent, or Firm* — Robert L. Stearns;
Dickinson Wright, PLLC

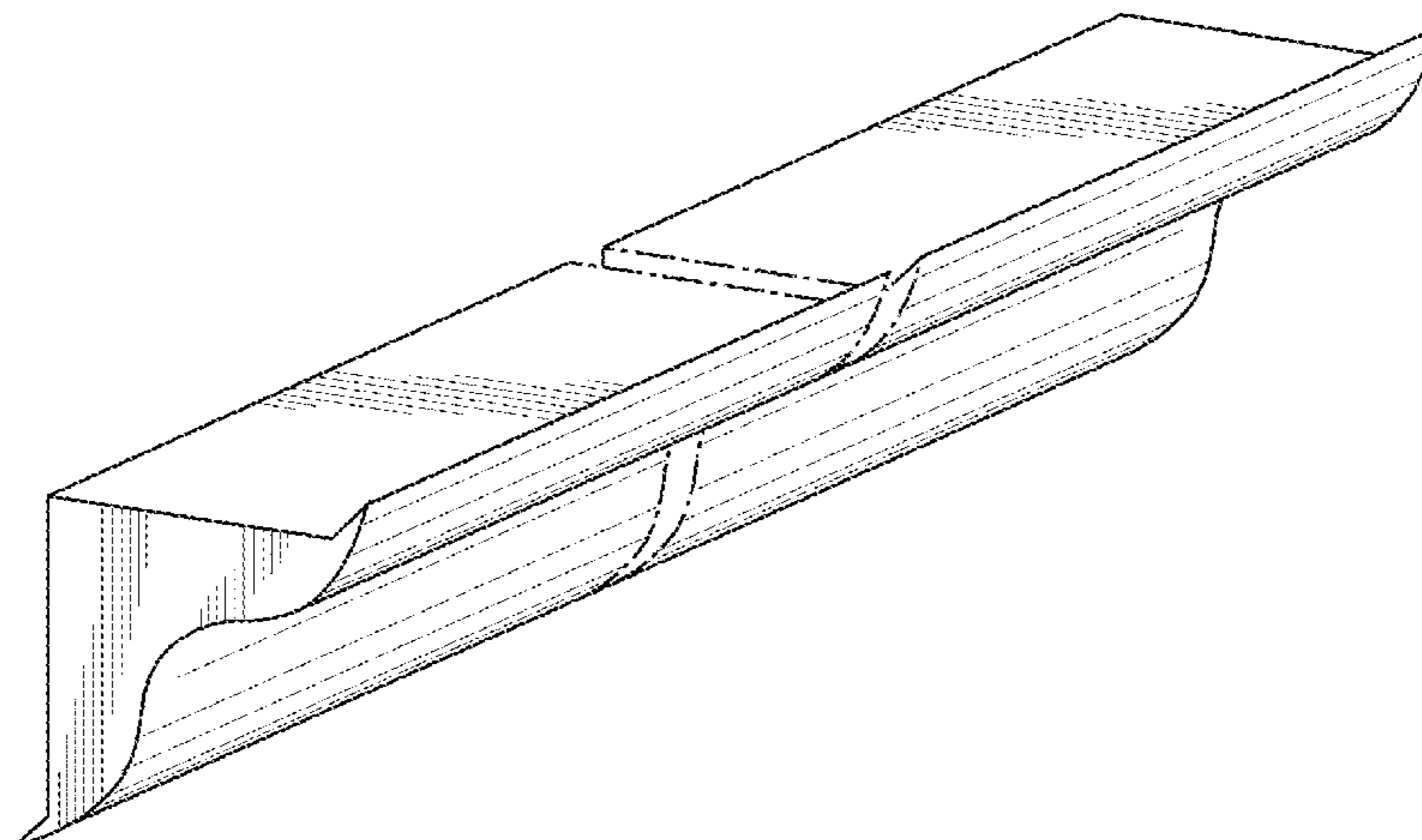
(57) **CLAIM**

The ornamental design for a flexible seal, as shown and described.

DESCRIPTION

FIG. 1 is a front perspective view of a flexible seal showing my new design;
FIG. 2 is a rear perspective view thereof;
FIG. 3 is another front perspective view thereof;
FIG. 4 is a top plan view thereof;
FIG. 5 is a bottom plan view thereof; and,
FIG. 6 is a side elevation view thereof.
The flexible seal is shown with a symbolic break in its length. The appearance of any portion of the flexible seal between the break lines forms no part of the claimed design.

1 Claim, 2 Drawing Sheets



(56)

References Cited

U.S. PATENT DOCUMENTS

D735,365 S *	7/2015	Miller	D25/164
2008/0134602 A1 *	6/2008	Schick	E04F 19/0486
			52/287.1
2009/0038247 A1 *	2/2009	Taylor	E04F 19/022
			52/287.1
2009/0077914 A1 *	3/2009	Ligabue	E04F 19/022
			52/254
2013/0133279 A1 *	5/2013	Noonan	E04B 1/6801
			52/309.1

* cited by examiner

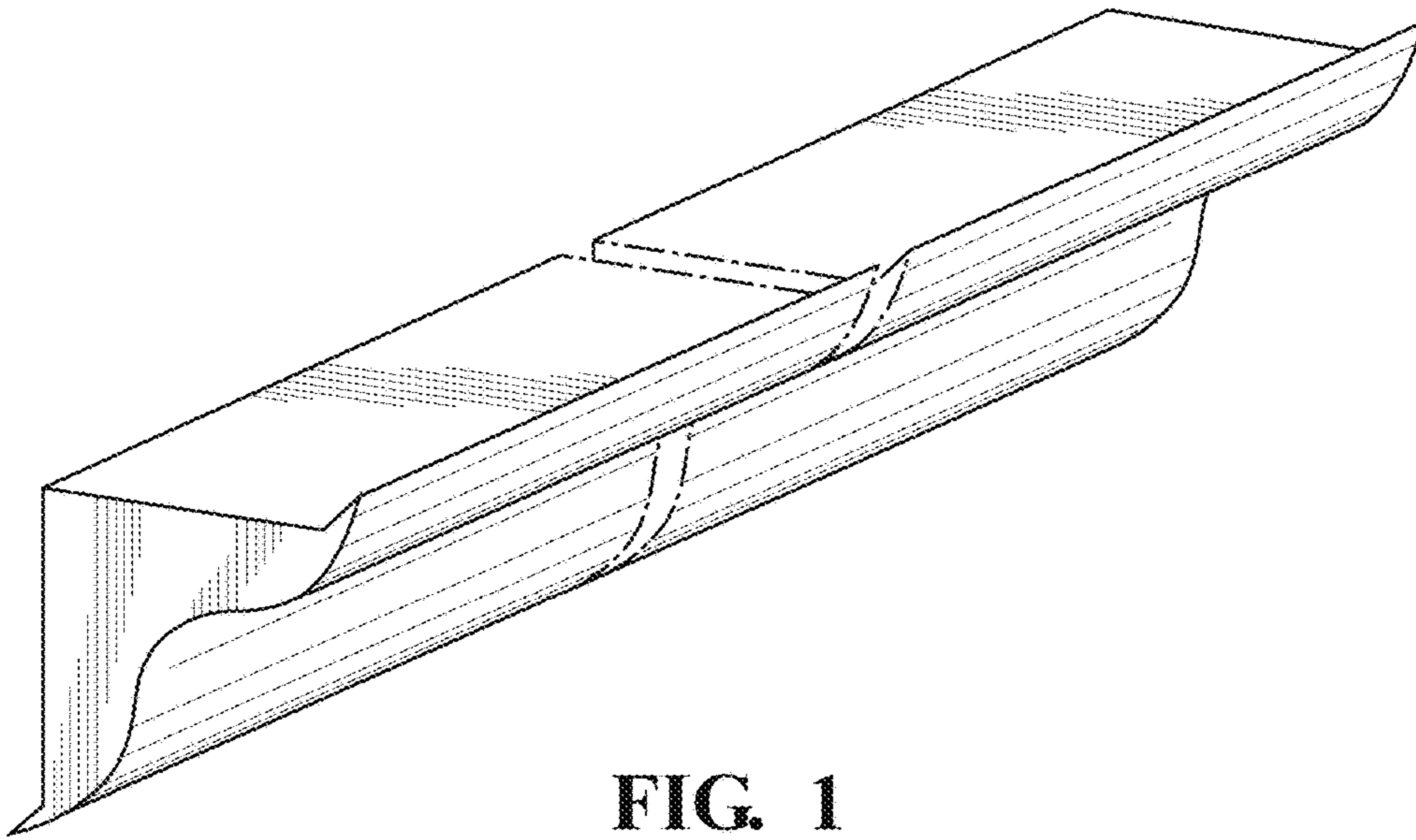


FIG. 1

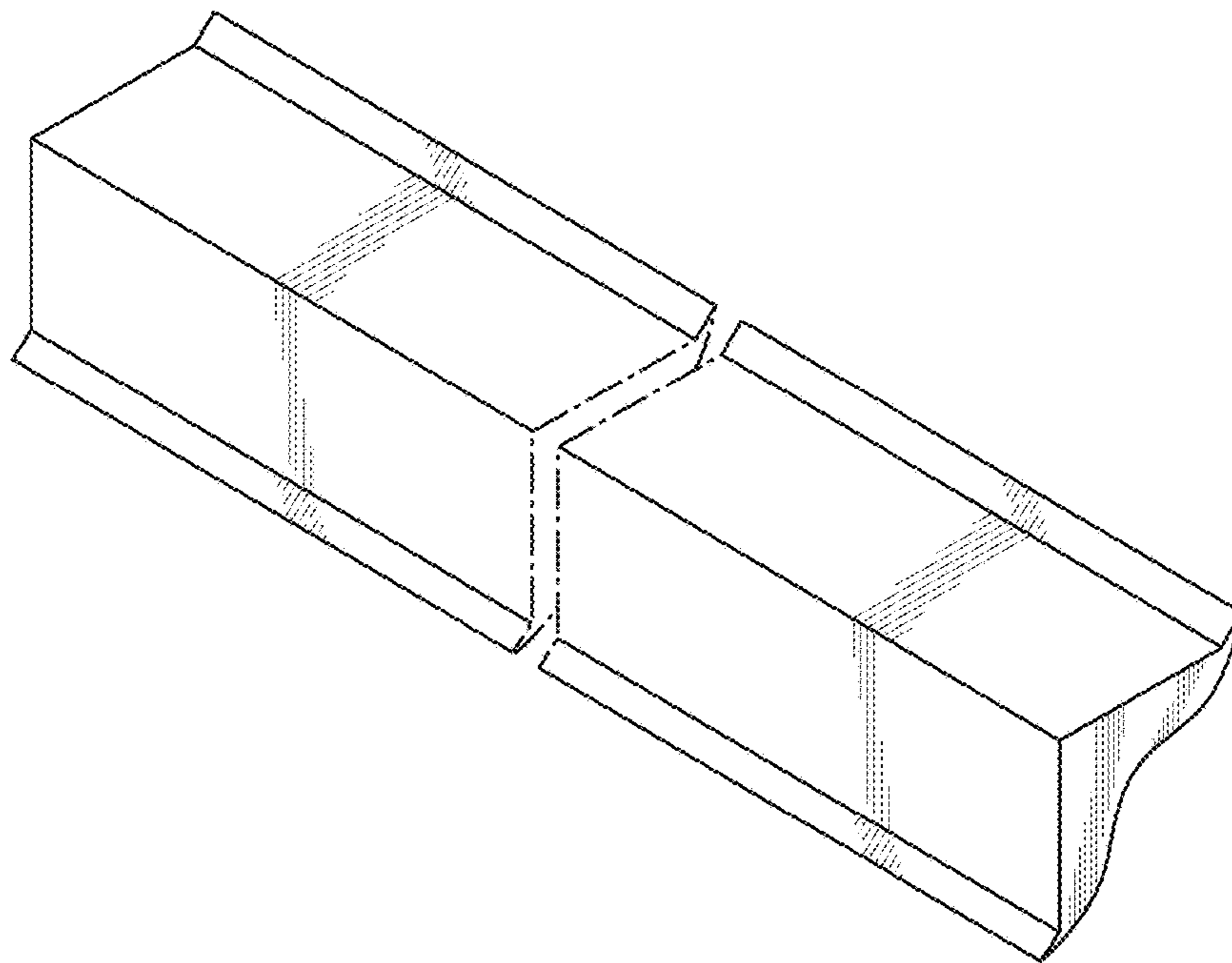


FIG. 2

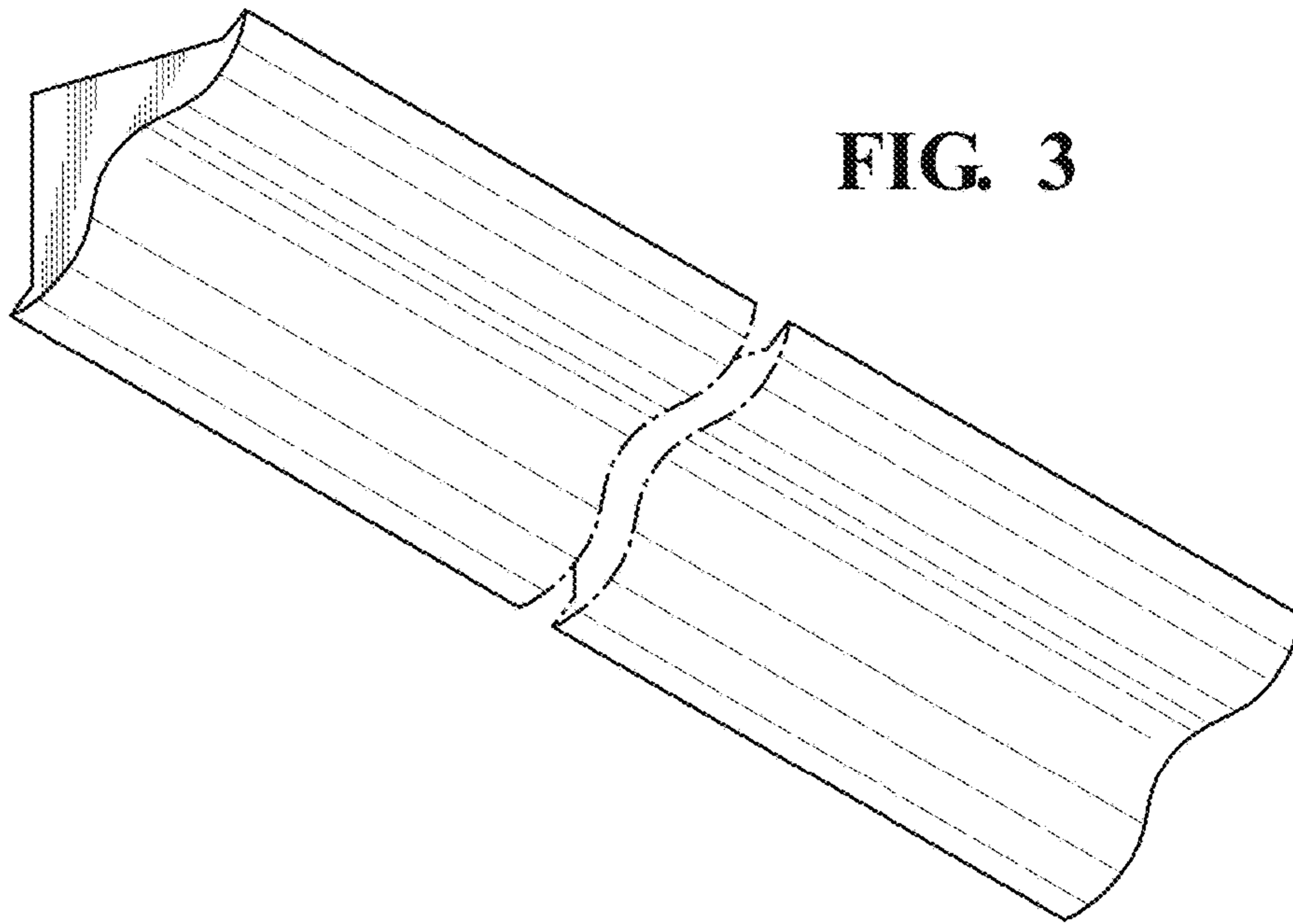


FIG. 3



FIG. 4

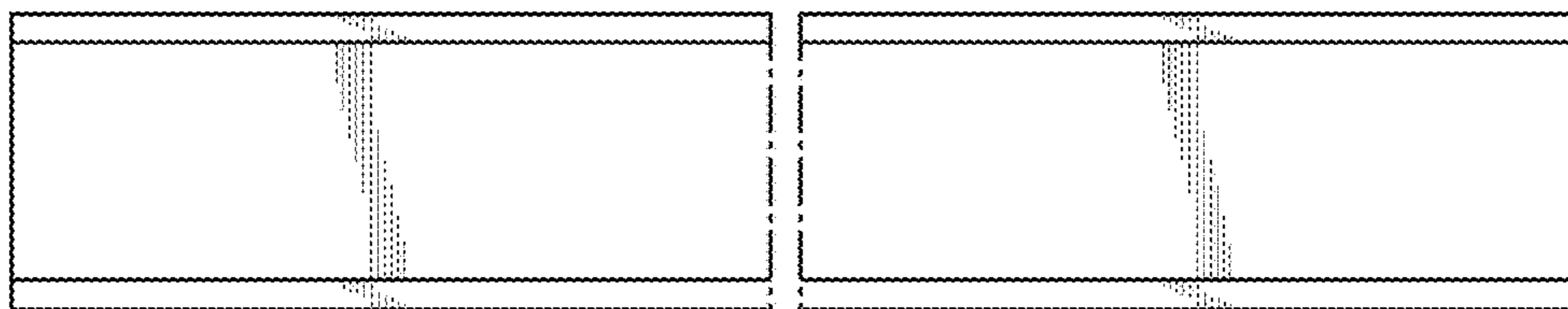


FIG. 5

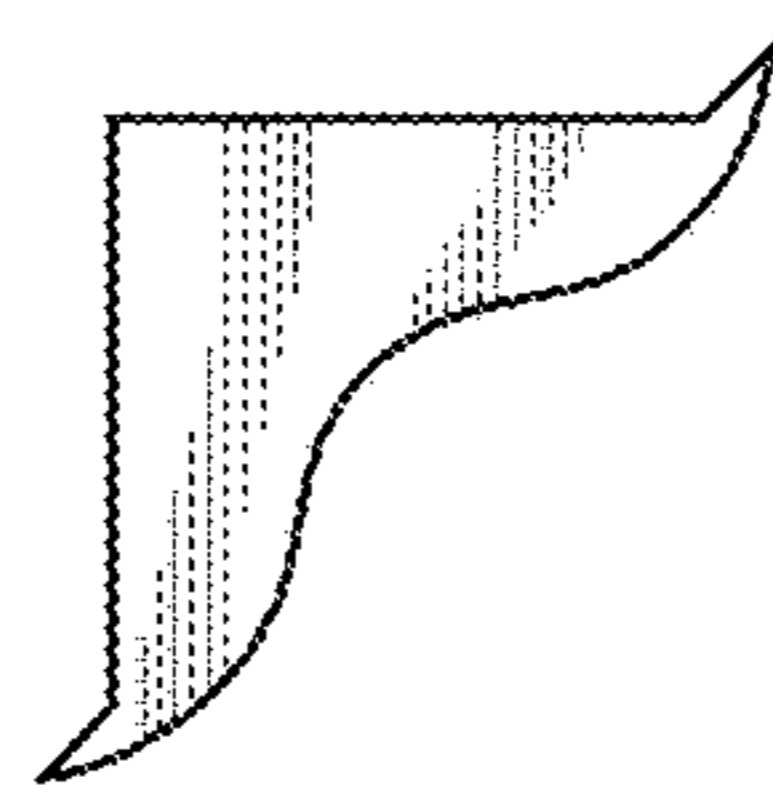


FIG. 6