



US00D807530S

(12) **United States Design Patent**
Kramer

(10) **Patent No.:** **US D807,530 S**
(45) **Date of Patent:** **** Jan. 9, 2018**

(54) **AWNING**
(71) Applicant: **Schmitz-Werke GmbH & Co. KG,**
Emsdetten (DE)
(72) Inventor: **Andreas Kramer,** Wildeshausen (DE)
(73) Assignee: **Schmitz-Werke GmbH & Co. KG,**
Emsdetten (DE)
(**) Term: **15 Years**

D601,266 S * 9/2009 Johnston D25/57
D604,427 S * 11/2009 Kramer D25/57
D610,707 S * 2/2010 Kramer D25/57
D610,708 S * 2/2010 Kramer D25/57
7,728,542 B2 * 6/2010 Bruno E04F 10/0659
318/466
8,179,062 B2 * 5/2012 Germain E04F 10/0659
318/266
D668,785 S * 10/2012 Kramer D25/57
D668,786 S * 10/2012 Kramer D25/57
D668,787 S * 10/2012 Kramer D25/57
D668,788 S * 10/2012 Kramer D25/57
D669,192 S * 10/2012 Kramer D25/57

(Continued)

(21) Appl. No.: **29/567,788**

(22) Filed: **Jun. 13, 2016**

(30) **Foreign Application Priority Data**

Dec. 18, 2015 (EM) 002 914 770

(51) **LOC (11) Cl.** **25-02**

(52) **U.S. Cl.**
USPC **D25/57**

(58) **Field of Classification Search**
USPC D6/579, 580; D8/376, 377; D25/56, 57;
160/19, 22, 38, 39, 66, 67
CPC . E04F 10/067; E04F 10/0614; E04F 10/0618;
E04F 10/0625; E04F 10/0644; E04F
10/0648; E04F 10/0651; E04F 10/0659;
E04F 10/0662; E04F 10/0685; E04F
10/0688

See application file for complete search history.

(56) **References Cited**

U.S. PATENT DOCUMENTS

D179,283 S * 11/1956 Dietz D25/57
D360,473 S * 7/1995 Baka D25/57
6,782,936 B1 * 8/2004 Girard E04F 10/0648
135/88.1
7,152,652 B2 * 12/2006 Heitel E04F 10/0618
160/22
D567,963 S * 4/2008 Cutler D25/56

OTHER PUBLICATIONS

<https://www.markilux.com/en/solar-protection/patio-and-balcony-awnings/cassette-awnings/markilux-970> Available Apr. 24, 2017.*
<https://www.youtube.com/watch?v=-JTn2eETx50> Posted May 30, 2016.*

Primary Examiner — Susan Bennett Hattan
Assistant Examiner — Leanne Was-Englehart
(74) *Attorney, Agent, or Firm* — McGlew and Tuttle, P.C.

(57) **CLAIM**

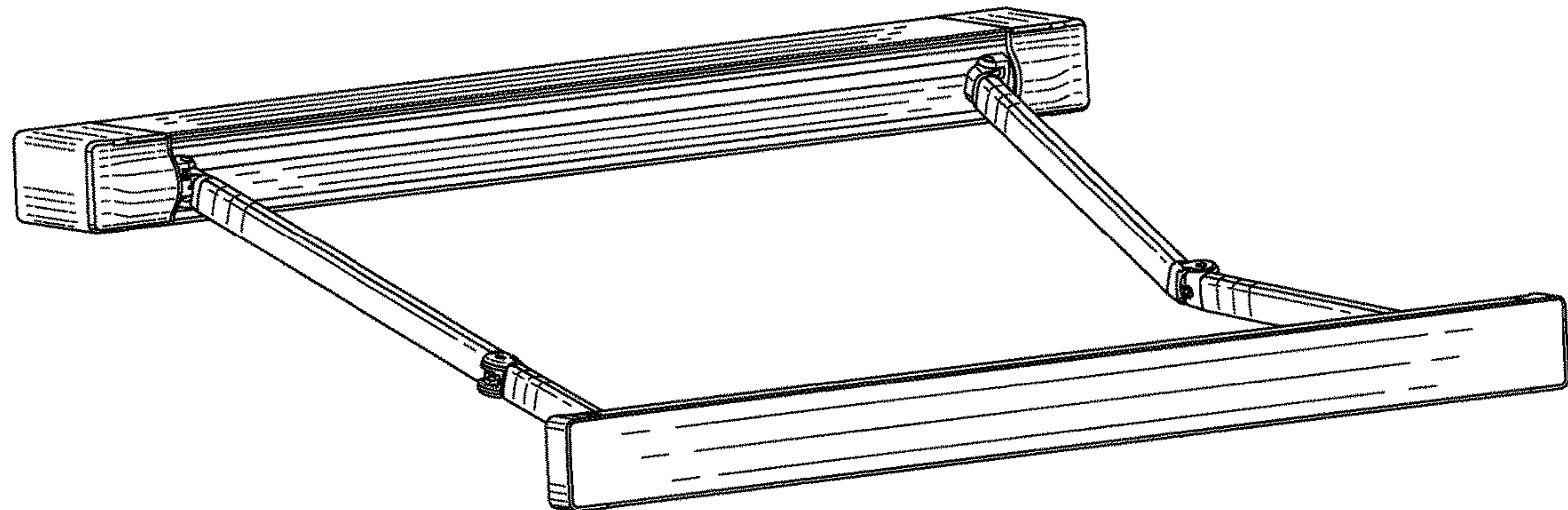
The ornamental design for an awning, as shown and described.

DESCRIPTION

FIG. 1 is a front view of an awning, showing my new design; FIG. 2 is a rear view thereof; FIG. 3 is a top view thereof; FIG. 4 is a bottom view thereof; FIG. 5 is a lateral view (right side) thereof; FIG. 6 is a lateral view (left side) thereof; and, FIG. 7 is a perspective view thereof (seen from obliquely front/above).

The broken lines shown in the drawings are for environment purposes only and form no part of the claimed design.

1 Claim, 7 Drawing Sheets



(56)

References Cited

U.S. PATENT DOCUMENTS

D669,193 S * 10/2012 Kramer D25/57
8,316,910 B2 * 11/2012 Popa E04F 10/0618
160/46
2011/0132552 A1 * 6/2011 Prine, Sr. E04F 10/0618
160/22
2011/0303369 A1 * 12/2011 Fehn E04F 10/0659
160/66
2011/0304823 A1 * 12/2011 Wensing E04F 10/0666
353/15
2014/0251552 A1 * 9/2014 Ma E04F 10/04
160/45

* cited by examiner

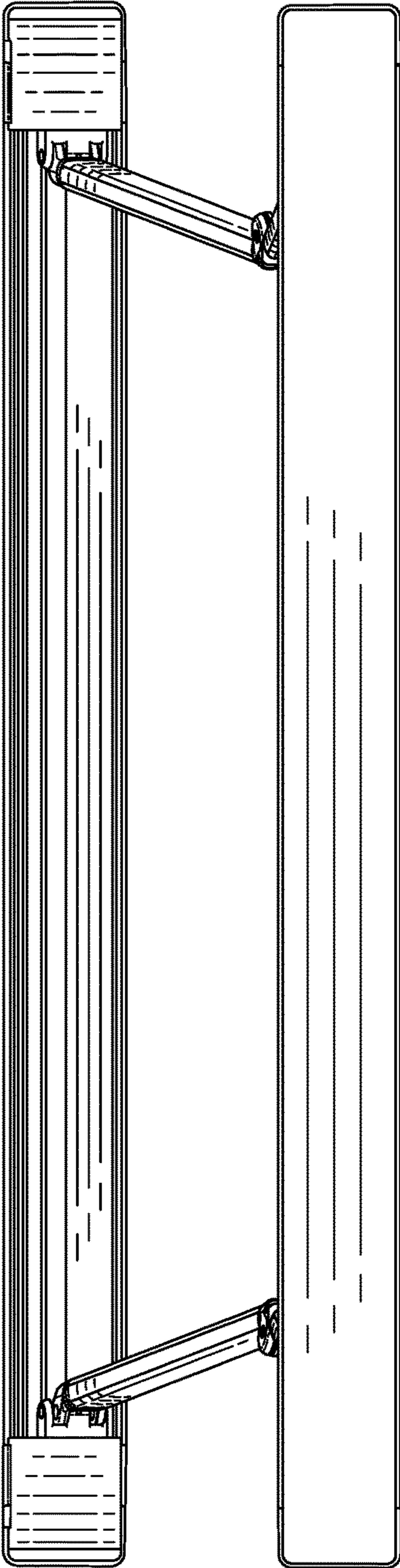


Fig. 1

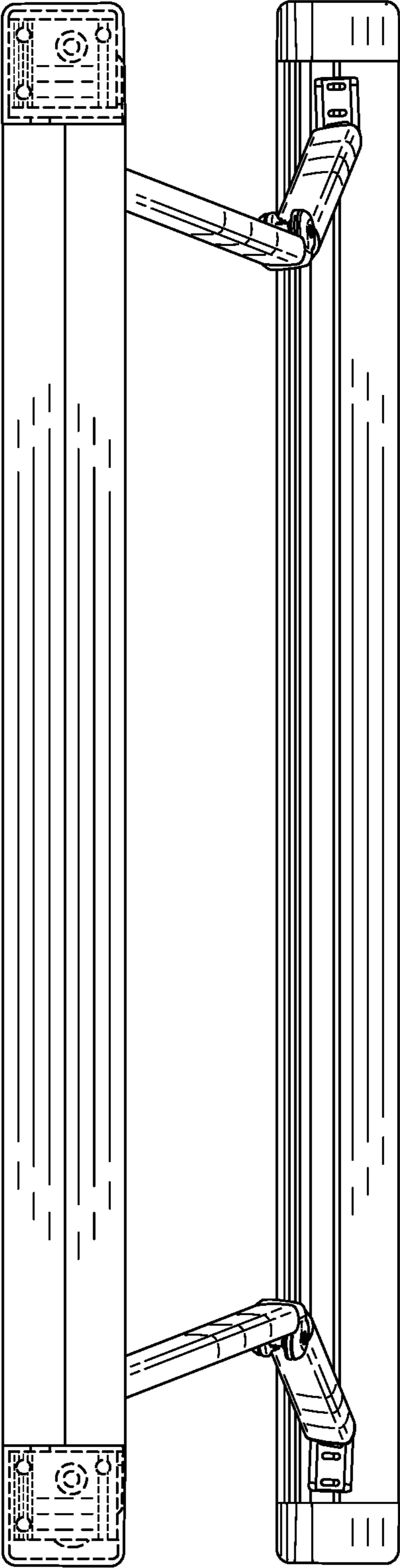


Fig. 2

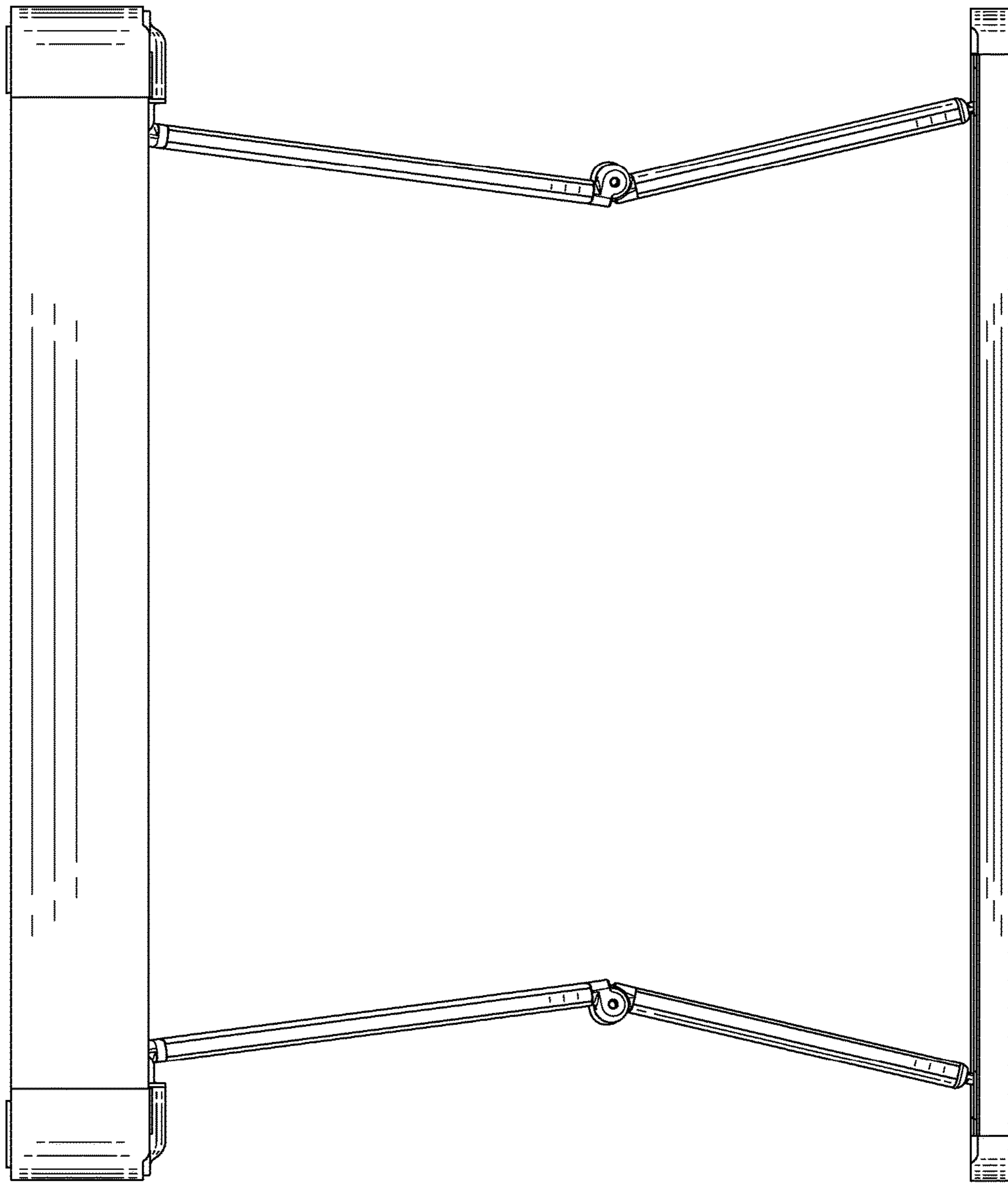


Fig. 3

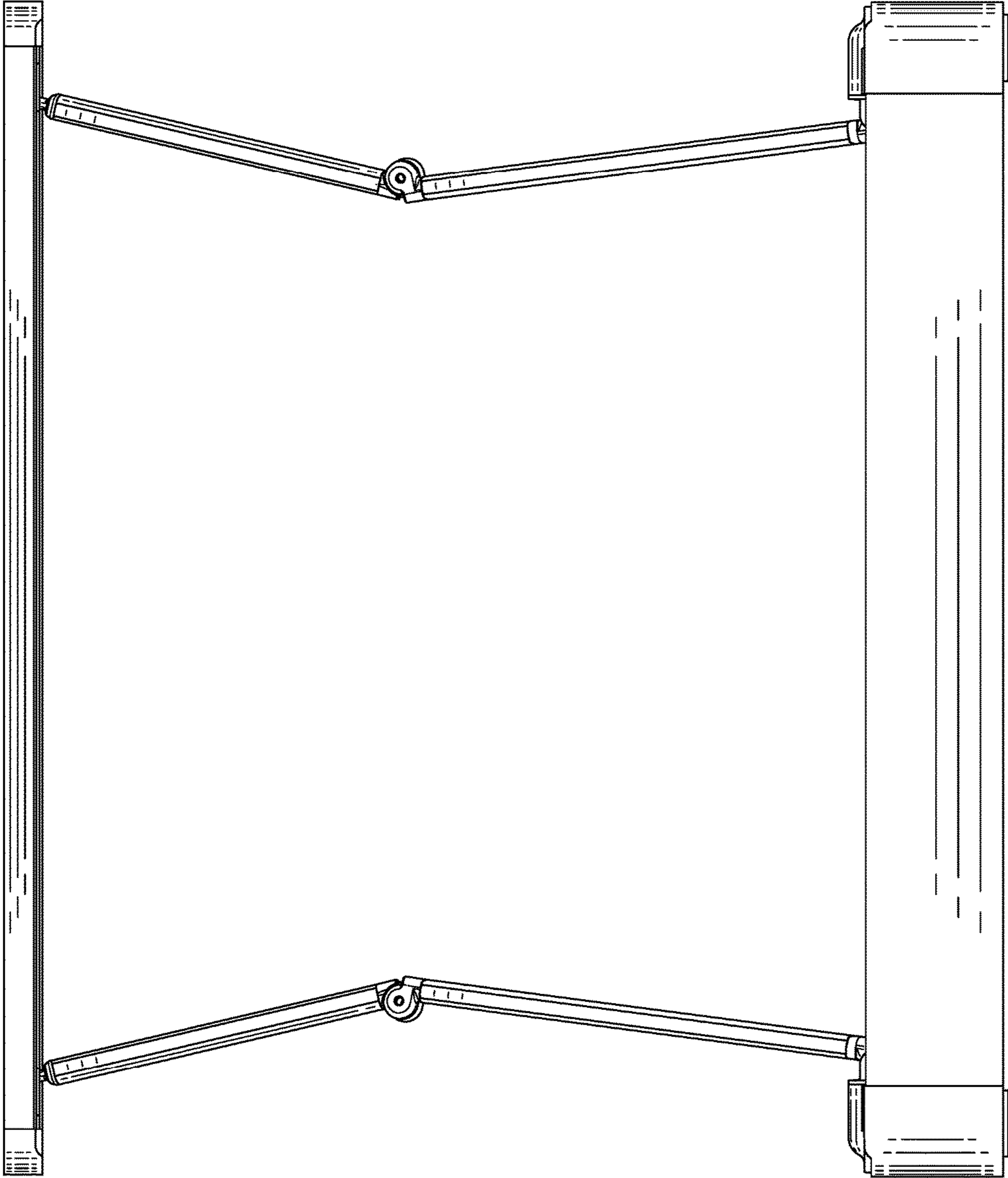


Fig. 4

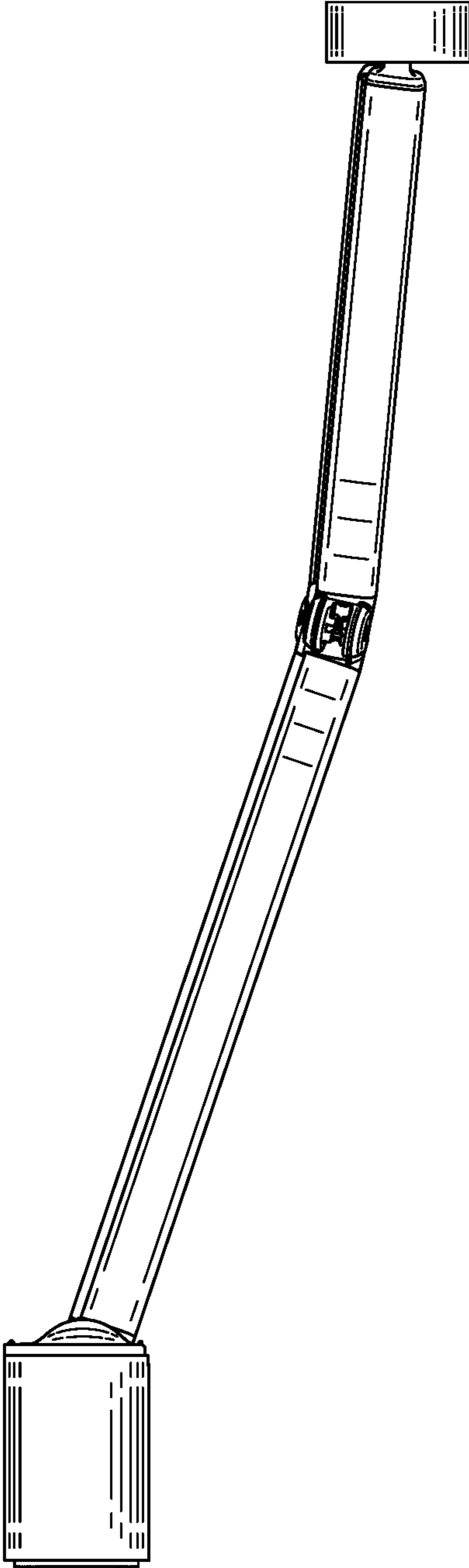


Fig. 5

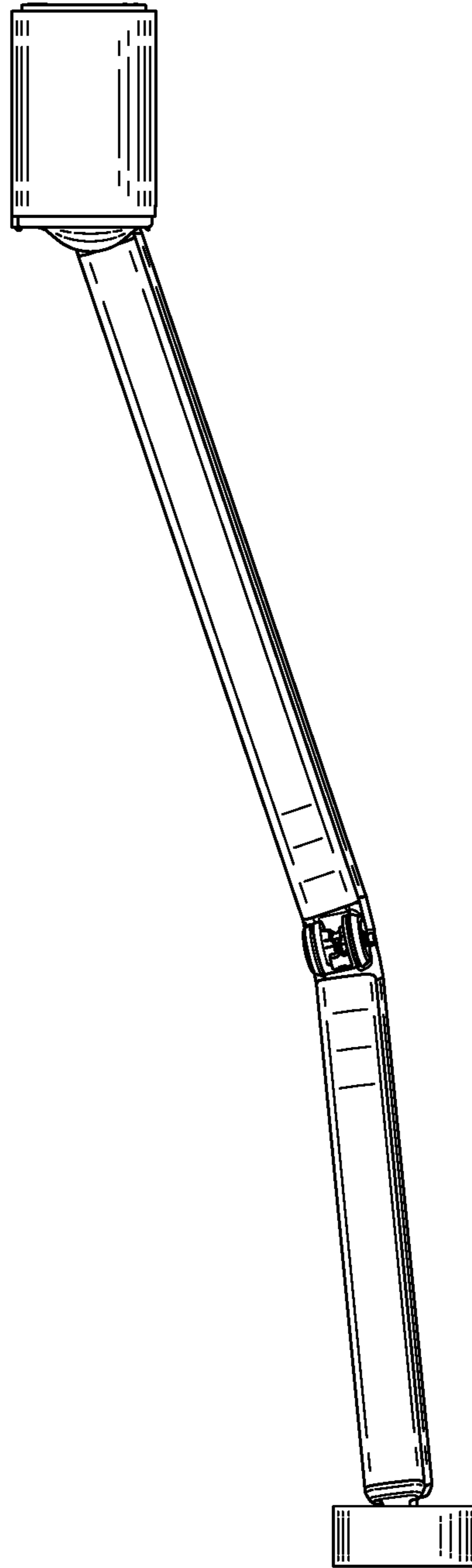


Fig. 6

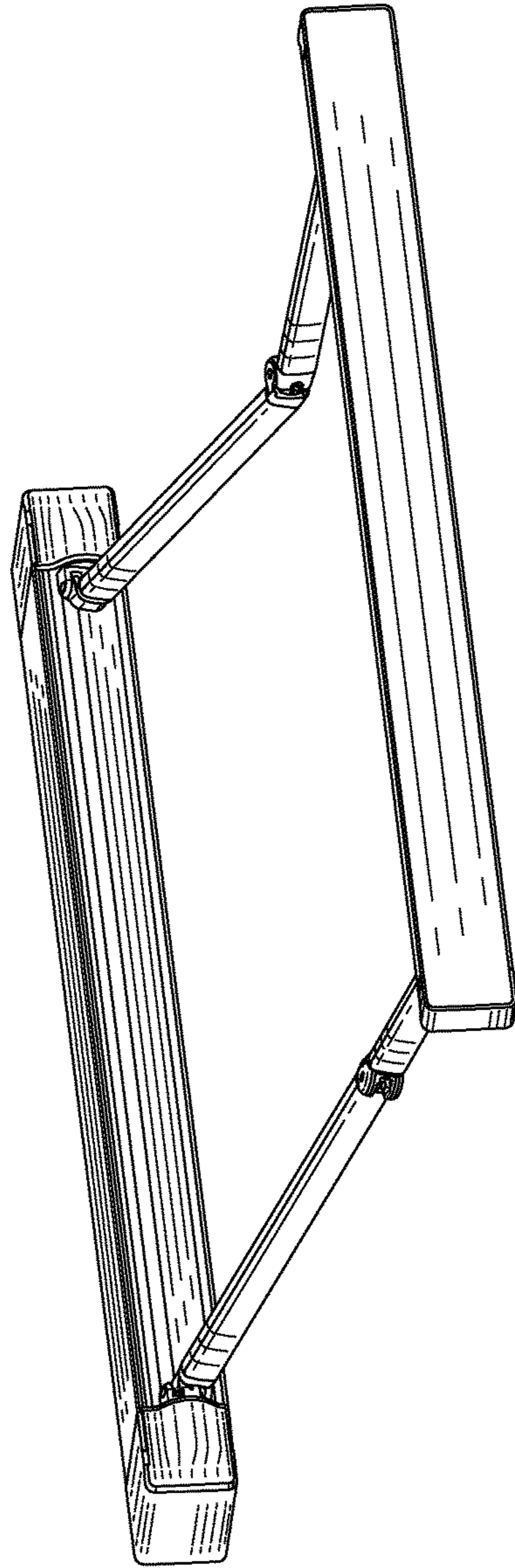


Fig. 7