



US00D807527S

(12) **United States Design Patent** (10) **Patent No.:** **US D807,527 S**
Bizzarri et al. (45) **Date of Patent:** **** *Jan. 9, 2018**

(54) **RAIL**

(56) **References Cited**

(71) Applicant: **CPG International LLC**, Scranton, PA (US)

(72) Inventors: **Paul M. Bizzarri**, Mason, OH (US); **Chip Herr**, Columbus, OH (US); **John M. Previte**, Dublin, OH (US); **Kevin T. Burt**, Columbus, OH (US); **William G. Taylor**, Columbus, OH (US); **Matthew T. Fenneman**, Gahanna, OH (US); **Jeffrey R. Burr**, Loveland, OH (US); **Timothy C. Rothwell**, Dublin, OH (US)

(*) Notice: This patent is subject to a terminal disclaimer.

(**) Term: **15 Years**

(21) Appl. No.: **29/561,819**

(22) Filed: **Apr. 20, 2016**

U.S. PATENT DOCUMENTS

1,049,502 A	1/1913	Long et al.	
D169,234 S *	3/1953	Woodworth	D25/125
2,932,488 A	4/1960	Dotson	
D189,447 S *	12/1960	Attwood	D25/121
D199,024 S	9/1964	Huret	
D200,702 S	3/1965	Huret	
3,313,527 A	4/1967	Eriksson	
D210,519 S	3/1968	Kusel	
3,420,505 A	1/1969	Jefferys	
3,707,276 A	12/1972	Francis et al.	
3,715,849 A	2/1973	Strassle	
3,879,017 A	4/1975	Maxcy et al.	
D251,451 S	3/1979	Toder	
D293,718 S	1/1988	Poma	
4,995,591 A	2/1991	Humphrey et al.	
D335,353 S	5/1993	Baker	
D336,345 S	6/1993	Fasth et al.	
D358,982 S *	6/1995	Bosgoed	D25/122
5,443,244 A	8/1995	Gibbs	
D375,573 S	11/1996	Andres	
5,649,688 A	7/1997	Baker	
6,009,682 A	1/2000	Lehman et al.	
D419,858 S *	2/2000	Bosgoed	D25/121
D461,914 S	8/2002	Hughes et al.	
D471,284 S	3/2003	Heath	
6,702,259 B2	3/2004	Pratt	
6,715,242 B1	4/2004	Green et al.	
6,874,766 B2	4/2005	Curatolo	
D509,599 S	9/2005	MacDonald	
D518,184 S	3/2006	Fitts	
D536,098 S	1/2007	Walker	
D544,965 S	6/2007	Seiling et al.	
D544,966 S	6/2007	Seiling et al.	
D544,967 S	6/2007	Seiling et al.	
7,232,114 B2	6/2007	Platt	
D551,774 S *	9/2007	McGinness	D25/135
D551,775 S	9/2007	McGinness	
D552,760 S	10/2007	Seiling et al.	
D560,823 S	1/2008	Holland	
D562,992 S	2/2008	Szczekocki et al.	
7,384,025 B2	6/2008	Lo	
D600,829 S	9/2009	Munakata et al.	
D600,831 S	9/2009	Munakata et al.	
7,686,485 B1	3/2010	Pever et al.	
7,788,785 B2	9/2010	Platt	
D625,989 S	10/2010	Mancosh et al.	
7,875,655 B2	1/2011	Mancosh et al.	
7,913,960 B1 *	3/2011	Herr, III	E04F 11/181 16/221

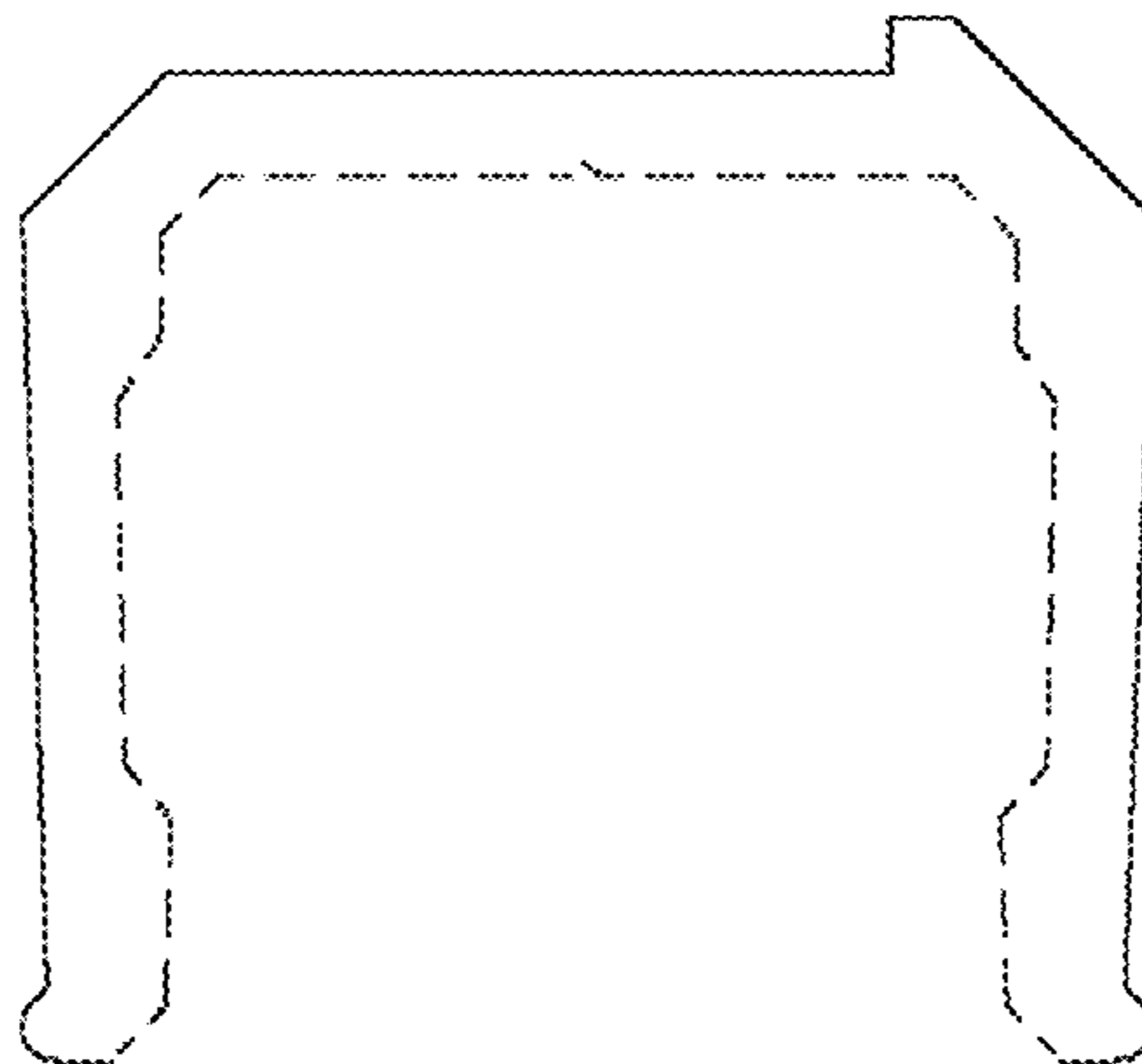
Related U.S. Application Data

(63) Continuation of application No. 13/461,496, filed on May 1, 2012, now Pat. No. 9,611,650, which is a continuation of application No. 12/831,064, filed on Jul. 6, 2010, now Pat. No. 8,167,275, which is a continuation of application No. 11/292,269, filed on Nov. 30, 2005, now abandoned.

(51) **LOC (11) Cl.** **25-01**

(52) **U.S. Cl.**
USPC **D25/38.1**

(58) **Field of Classification Search**
USPC D25/38.1, 41.1, 42, 43, 44, 119, D25/120-126, 133-136, 164; 256/19, 59, 256/65.02, 65.03, 65.04, 65.08, 65.15, 256/65.16
CPC E04F 11/181; E04H 17/20; E04H 17/1421; E04H 2017/006; E04H 2017/1473; E04H 2017/1482
See application file for complete search history.



D636,898 S	4/2011	Harder	
7,923,477 B2	4/2011	Murdock et al.	
8,104,734 B2	1/2012	Stover	
8,167,275 B1 *	5/2012	Bizzarri	E04F 11/181 256/65.02
D661,813 S	6/2012	Walker	
8,278,365 B2	10/2012	Murdock et al.	
8,455,558 B2	6/2013	Mancosh et al.	
D697,232 S	1/2014	Herman	
D698,949 S	2/2014	Rozas Andreu	
8,809,406 B2	8/2014	Murdock et al.	
D720,477 S	12/2014	Ross	
D734,495 S *	7/2015	Walde	D25/38.1
9,073,295 B2	7/2015	Przybylinski et al.	
2003/0196395 A1	10/2003	Forbis et al.	
2004/0206028 A1	10/2004	Terrels et al.	
2005/0051761 A1	3/2005	Caissie et al.	
2006/0147693 A1	7/2006	Przybylinski et al.	
2007/0173551 A1	7/2007	Mancosh et al.	
2007/0241315 A1	10/2007	Platt	
2007/0241316 A1	10/2007	Platt	
2008/0064794 A1	3/2008	Murdock et al.	
2008/0093763 A1	4/2008	Mancosh et al.	
2008/0128933 A1	6/2008	Przybylinski et al.	
2008/0213562 A1	9/2008	Przybylinski et al.	
2009/0114895 A1	5/2009	Terrels et al.	
2010/0108969 A1	5/2010	Platt	
2010/0159213 A1	6/2010	Przybylinski et al.	
2011/0042637 A1	2/2011	Howard et al.	
2011/0073824 A1	3/2011	Lappin et al.	
2011/0097552 A1	4/2011	Mancosh et al.	
2011/0229691 A1	9/2011	Murdock et al.	
2012/0077890 A1	3/2012	Mancosh et al.	
2012/0315471 A1	12/2012	Mancosh et al.	
2013/0102707 A1	4/2013	Murdock et al.	
2015/0024171 A1	1/2015	Murdock et al.	
2015/0044434 A1	2/2015	Kotiadis et al.	
2015/0252588 A1	9/2015	Springbom	
2015/0292212 A1	10/2015	Walker et al.	
2015/0300041 A1	10/2015	Feeko et al.	

FOREIGN PATENT DOCUMENTS

CA	1213767 A	11/1986
CA	D80640	5/1997
CA	2153659 A1	2/1999
CH	580130 A5	9/1976
CL	34395	3/1994
CL	303799	12/1999
DE	2042176	8/1968
DE	3801574 A1	8/1989
DE	4033849 A1	5/1991
DE	4221070 A1	12/1993
DK	140148 B	6/1979
EP	0269470 A2	6/1988
EP	0586211 A1	3/1994
EP	0586212 A2	3/1994
EP	0586213 A1	3/1994
EP	0668142 A1	8/1995
EP	0747419 A2	12/1996
EP	0874944 A1	11/1998
ES	1041676	11/1998
FR	2270311 A1	12/1975
FR	2365017 A1	4/1978
FR	2445885 A1	8/1980
FR	2529925 A1	1/1984
FR	2564374 A1	11/1985
GB	567071	1/1945
GB	1298823	12/1972
GB	1443194	7/1976
GB	2036148 A	6/1980
GB	2104903 A	3/1983
GB	2171953 A	9/1986
GB	2186655 A	8/1987
JP	57-190035 A	11/1982
JP	2000-17245 A	1/2000
JP	2000-109589 A	4/2000
JP	2002-86544 A	3/2002
JP	2002-113768 A	4/2002

JP	2002-137333 A	5/2002
JP	2002-144489 A	5/2002
KR	20040044680 A	5/2004
KR	300428590.0000 *	10/2006
WO	9008020 A1	7/1990
WO	9513179 A1	5/1995
WO	9726430 A1	7/1997
WO	9911444 A1	3/1999
WO	0011282 A2	3/2000
WO	0034017 A1	6/2000
WO	0039207 A1	7/2000
WO	0166873 A1	9/2001
WO	02057692 A2	7/2002
WO	02079317 A1	10/2002
WO	02103113 A2	12/2002
WO	D064769-006	10/2003
WO	03091642 A1	11/2003
WO	2004083541 A2	9/2004
WO	2004102092 A1	11/2004
WO	2006041508 A2	4/2006
WO	2006071517 A2	7/2006
WO	2007085836 A1	8/2007

OTHER PUBLICATIONS

Advanced Environmental Recycling Technologies, Inc., Composite Railing Installation, www.moistureshield.com, Jul. 2015.

Advanced Environmental Recycling Technologies, Inc., Magnum Railing, www.lifecycledecking.com/products/profiles, Oct. 17, 2010, visited Jan. 29, 2016 via <https://web.archive.org/web/20101017132410/http://lifecycledecking.com/products/profiles>.

CertainTeed Corporation, www.certainteed.com/products/fence-railing-deck/railing/313628 Mar. 7, 2009, visited Jan. 29, 2016 via <https://web.archive.org/web/20090307163124/http://www.certainteed.com/products/fence-railing-deck/railing/313628>.

CertainTeed Corporation, Step-By-Step Installation Instructions for Panorama Composite Railing System Square or Steel Balusters, Aug. 2014.

CertainTeed Corporation, Panorama Composite Railing System, www.certainteed.com/products/fence-railing-deck/railing/313628, visited Jan. 29, 2016.

Gossen Corporation, Performance Railing System, <http://www.gossencorp.com/railing.php>, Jun. 11, 2014, visited Jan. 29, 2016 via <https://web.archive.org/web/20140611083437/http://www.gossencorp.com/railing.php>.

Gossen Corporation, Code Compliance Research Report CCRR-0221, Apr. 7, 2015.

Gossen Corporation, Gossen WeatherReady Railing, <http://www.gossencorp.com/railing.php>, Sep. 3, 2012, visited Jan. 29, 2016 via <https://web.archive.org/web/20120903150713/http://www.gossencorp.com/railing.php>.

The Des Moines Register, p. 405, Jun. 29, 2003.

Midwest Manufacturing, Natural Railing, <http://www.midwestmanufacturing.com/MidwestManufacturing/productDetail.do?groupId=1&lineId=8&productTypeId=4&productId=201>, Sep. 22, 2014, visited Jan. 26, 2016 via <https://web.archive.org/web/20140922121245/http://www.midwestmanufacturing.com/MidwestManufacturing/productDetail.do?groupId=1&lineId=8&productTypeId=4&productId=201>.

Midwest Manufacturing, Pinnacle Top Rail Caps, <http://www.midwestmanufacturing.com/MidwestManufacturing/productDetail.do?groupId=1&lineId=8&productTypeId=4&productId=1366>, Aug. 3, 2010, visited Jan. 28, 2016 via <https://web.archive.org/web/20100803030153/http://www.midwestmanufacturing.com/MidwestManufacturing/productDetail.do?groupId=1&lineId=8&productTypeId=4&productId=1366>.

UltraDeck Reversible, <http://ultradeck.com/products.htm>, Feb. 13, 2005, visited Jan. 28, 2016 via <https://web.archive.org/web/20050213125854/http://ultradeck.com/products.htm>.

Midwest Manufacturing, UltraDeck Rustic Rail, <http://www.midwestmanufacturing.com/MidwestManufacturing/productDetail.do?groupId=1&lineId=8&productTypeId=4&productId=200>, May 22, 2013, visited Jan. 26, 2016 via <https://web.archive.org/web/20130522185339/http://www.midwestmanufacturing.com/>

MidwestManufacturing/productDetail.do?groupId=1&lineId=8
&productId=200.
Trex Company, Inc., Transcend, www.trex.com/products/railing/
transcend/, visited Jan. 26, 2016.

* cited by examiner

Primary Examiner — Susan Bennett Hattan
Assistant Examiner — Leanne Was-Englehart
(74) *Attorney, Agent, or Firm* — Standley Law Group
LLP

(57)

CLAIM

The ornamental design for a rail, as shown and described.

DESCRIPTION

The Applicant would also like to let the Examiner know that
the following related applications are also currently pending:
29/520,836, filed on Mar. 18, 2015, claims the benefit of
13/461,496

29/520,840, filed on Mar. 18, 2015, claims the benefit of
13/461,496

29/520,842, filed on Mar. 18, 2015, claims the benefit of
13/461,496

29/520,846, filed on Mar. 18, 2015, claims the benefit of
13/461,496

29/520,849, filed on Mar. 18, 2015, claims the benefit of
13/461,496

14/712,373, filed on May 14, 2015, claims the benefit of
13/461,496

14/712,412, filed on May 14, 2015, claims the benefit of
13/461,496

29/532,103, filed on Jul. 1, 2015, claims the benefit of
13/461,496.

FIG. 1 is an elevation view of a rail; and,

FIG. 2 is a perspective view of the rail of FIG. 1.

The broken lines in the figures indicate environment that
forms no part of the claimed design.

1 Claim, 2 Drawing Sheets

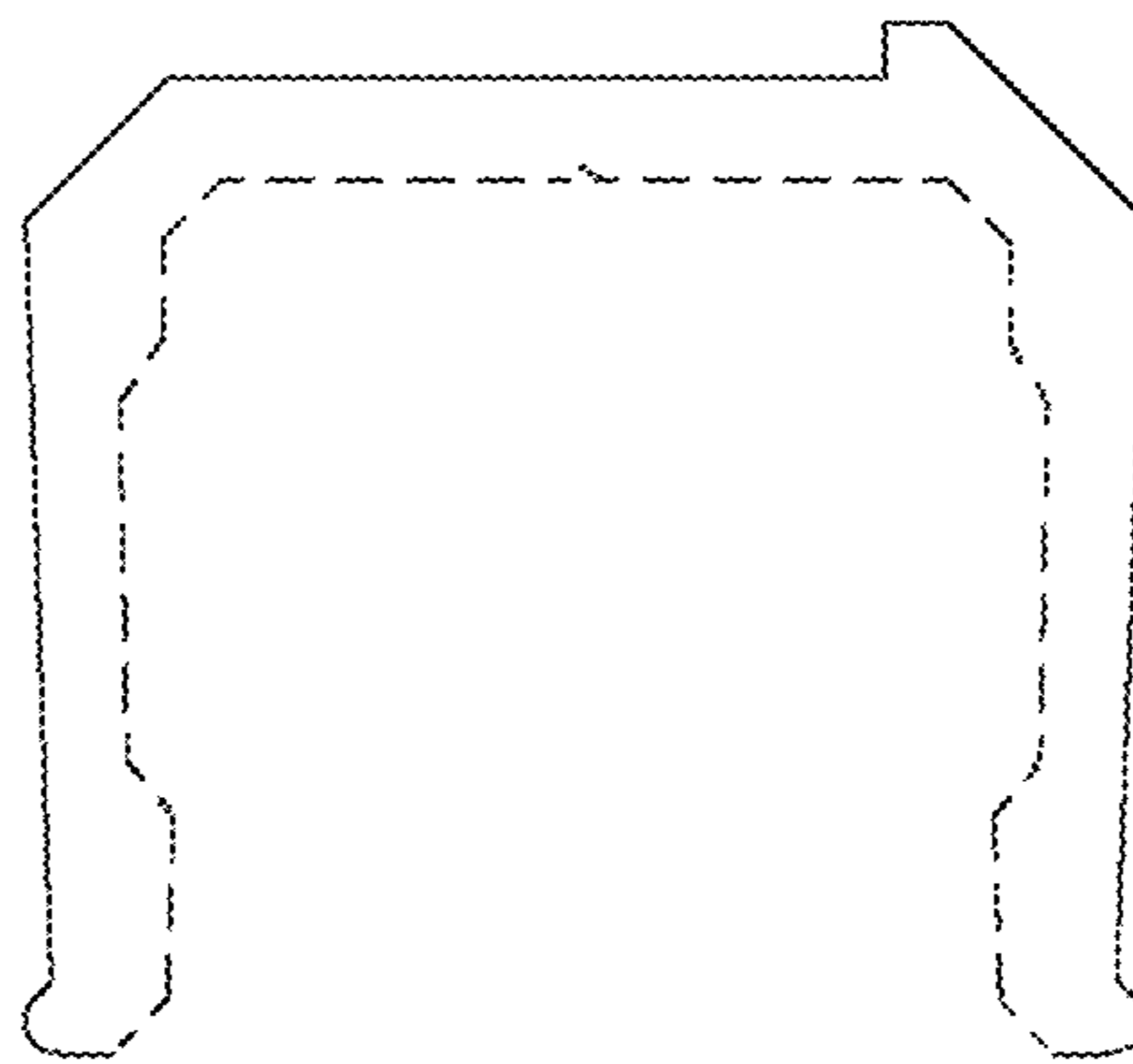


Fig. 1

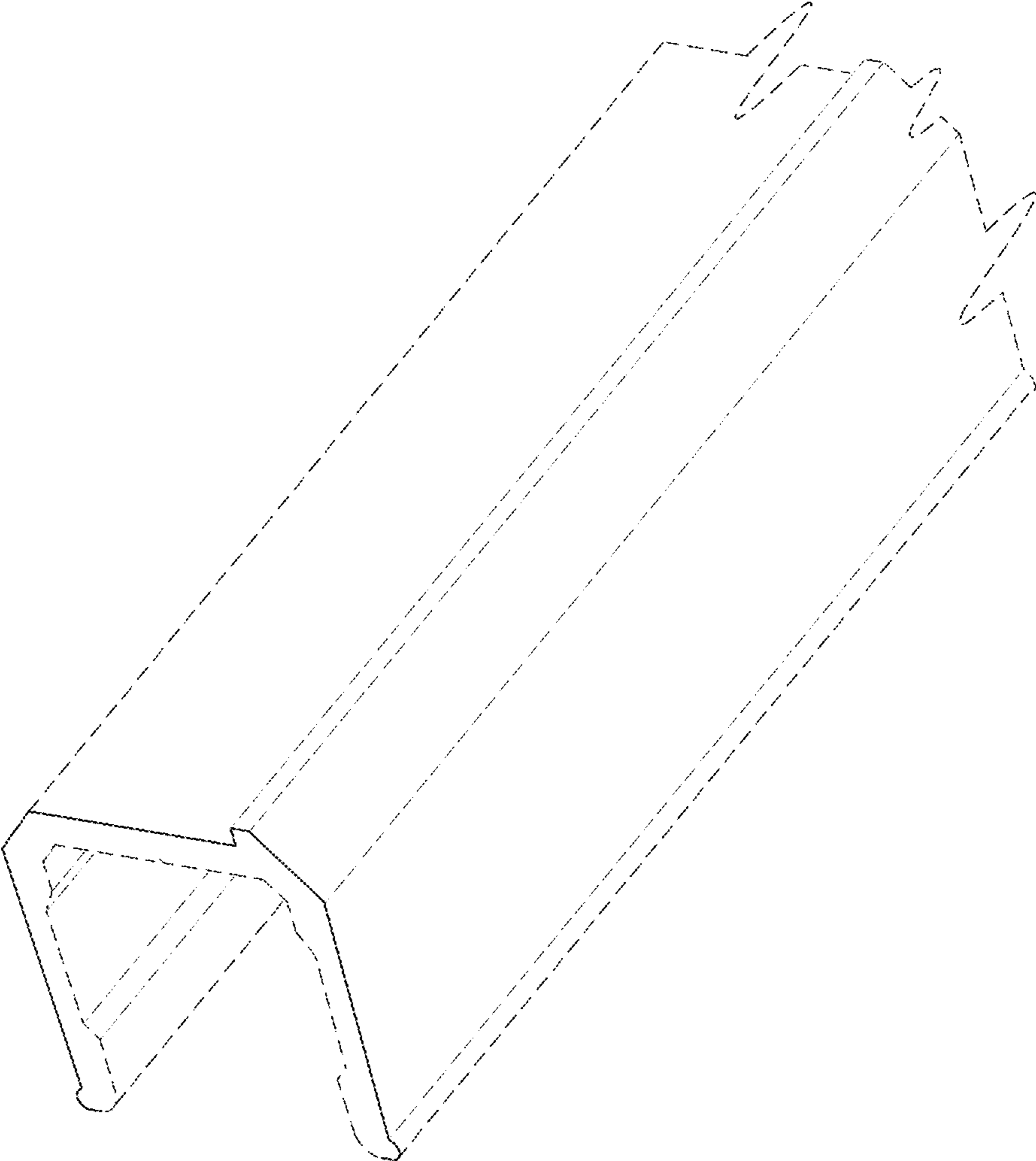


Fig. 2