



US00D807525S

(12) **United States Design Patent** (10) **Patent No.:** **US D807,525 S**  
**Sanchez et al.** (45) **Date of Patent:** **\*\* Jan. 9, 2018**

(54) **PIPETTE**

(71) Applicant: **GILSON, INC**, Middleton, WI (US)

(72) Inventors: **Marc Sanchez**, Paris (FR); **Tristan Berto**, Madison, WI (US)

(73) Assignee: **Gilson, Inc.**, Middleton, WI (US)

(\*\*) Term: **15 Years**

(21) Appl. No.: **29/580,718**

(22) Filed: **Oct. 12, 2016**

**Related U.S. Application Data**

(62) Division of application No. 29/479,141, filed on Jan. 13, 2014, now Pat. No. Des. 772,426.

(51) **LOC (11) Cl.** ..... **24-02**

(52) **U.S. Cl.**  
USPC ..... **D24/222**

(58) **Field of Classification Search**  
USPC ..... D24/216, 222, 231, 232; 141/1, 130; 222/1, 158, 386; 356/246; 422/63-65, 422/67, 68.1, 81, 82.01, 82.05, 400, 422/500-506, 509-516, 518, 520-522, 422/525, 527, 536-537, 564; 435/283.1; 436/43, 49, 54, 164, 174, 177, 179, 180, 436/518; 73/1.74, 61.65, 863.01-963.03  
CPC ... B01J 19/0093; B01J 19/0046; B01L 3/021; B01L 3/0217; B01L 3/0224; B01L 3/0227; B01L 3/0237; B01L 3/0268; B01L 3/0275; B01L 3/0277; B01L 3/0279; B01L 3/502; B01L 3/5025; B01L 3/50255; B01L 3/5027; B01L 3/502715; B01L 3/50273; B01L 3/502738; B01L 3/502746; B01L 3/502761; B01L 3/502792; B01L 3/5082; B01L 3/50825; B01L 3/5085; B01L 3/50853; B01L 7/52; B01L 9/06; B01L 9/54; B01L

(Continued)

(56) **References Cited**

**U.S. PATENT DOCUMENTS**

4,215,092 A \* 7/1980 Suovaniemi ..... B01L 3/0275  
422/513

4,444,062 A 4/1984 Bennett  
(Continued)

*Primary Examiner* — Ian Simmons

*Assistant Examiner* — Mark Cavanna

(74) *Attorney, Agent, or Firm* — Quarles & Brady LLP

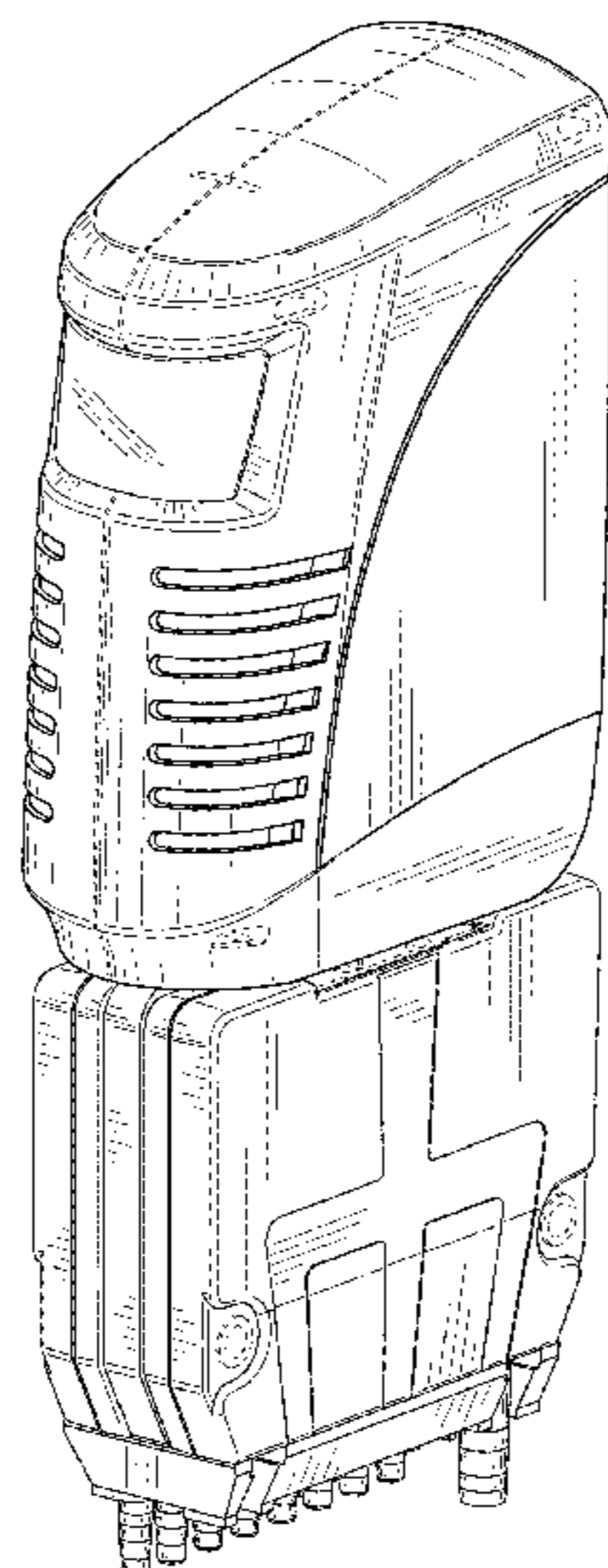
(57) **CLAIM**

The ornamental design for a pipette, as shown and described.

**DESCRIPTION**

FIG. 1 is a front, top, and left side isometric view of a first embodiment of a pipette, showing our new design; FIG. 2 is a front elevational view of the pipette of FIG. 1; FIG. 3 is a rear elevational view of the pipette of FIG. 1; FIG. 4 is a left side elevational view of the pipette of FIG. 1; FIG. 5 is a right side elevational view of the pipette of FIG. 1; FIG. 6 is a top plan view of the pipette of FIG. 1; FIG. 7 is a bottom plan view of the pipette of FIG. 1; FIG. 8 is a front, top, and left side isometric view of a second embodiment of a pipette, showing our new design; FIG. 9 is a front elevational view of the pipette of FIG. 8; FIG. 10 is a rear elevational view of the pipette of FIG. 8; FIG. 11 is a left side elevational view of the pipette of FIG. 8; FIG. 12 is a right side elevational view of the pipette of FIG. 8; FIG. 13 is a top plan view of the pipette of FIG. 8; and, FIG. 14 is a bottom plan view of the pipette of FIG. 8. The broken lines are for the purpose of illustrating environmental structure and form no part of the claimed design.

**1 Claim, 10 Drawing Sheets**



(58) **Field of Classification Search**

CPC ..... 9/527; B01L 9/543; B01L 99/00; B29C 45/00; C09D 133/16; C12Q 1/6806; C12Q 1/6813; C12Q 1/6827; C12Q 1/6837; C12Q 1/6851; C12Q 1/686; C12Q 1/6896; G01N 1/34; G01N 1/405; G01N 21/03; G01N 21/253; G01N 21/6428; G01N 21/645; G01N 21/6452; G01N 21/76; G01N 27/44704; G01N 27/44743; G01N 27/44791; G01N 33/53; G01N 33/5302; G01N 33/537; G01N 33/54366; G01N 35/0092; G01N 35/0099; G01N 35/025; G01N 35/028; G01N 35/04; G01N 35/10; G01N 35/1002; G01N 35/1065; G01N 35/1074

See application file for complete search history.

(56) **References Cited**

U.S. PATENT DOCUMENTS

D279,710 S 7/1985 Yonkers et al.  
 4,671,123 A \* 6/1987 Magnussen, Jr. .... B01L 3/0227  
 73/864.14  
 4,779,467 A 10/1988 Rainin et al.  
 D302,855 S \* 8/1989 Lyman ..... D24/222  
 5,061,449 A \* 10/1991 Torti ..... G01N 35/1067  
 422/525  
 5,092,184 A \* 3/1992 Goodell ..... B01L 99/00  
 73/863.32  
 D325,974 S \* 5/1992 Kalmakis ..... D24/222  
 5,389,341 A \* 2/1995 Tuunanen ..... B01L 3/0227  
 422/509  
 5,779,984 A 7/1998 Kelly et al.  
 5,892,161 A \* 4/1999 Conley ..... B01L 3/0227  
 73/864.18  
 5,970,806 A 10/1999 Telimaa et al.  
 D426,642 S \* 6/2000 Rainin ..... D24/222

6,235,244 B1 \* 5/2001 Allen ..... B01L 3/0275  
 73/864.25  
 6,660,519 B2 12/2003 Hamilton  
 7,413,710 B2 8/2008 Lisec et al.  
 7,434,484 B2 10/2008 Belgardt  
 D589,625 S 3/2009 Alejos  
 D596,755 S 7/2009 Labak  
 D599,030 S 8/2009 Cote et al.  
 D627,477 S 11/2010 Guichardon  
 D627,478 S 11/2010 Guichardon  
 7,976,793 B2 \* 7/2011 Solotareff ..... B01L 3/0217  
 422/509  
 8,029,742 B2 10/2011 Butz et al.  
 8,201,466 B2 6/2012 Roussel  
 8,468,900 B2 \* 6/2013 Warhurst ..... B01L 3/0227  
 73/864.25  
 D701,321 S \* 3/2014 McEtchin ..... D24/222  
 9,339,811 B2 5/2016 Schmidt  
 9,364,827 B2 \* 6/2016 Gehrig ..... B01L 3/0217  
 9,393,561 B2 7/2016 Link  
 2001/0043885 A1 11/2001 Wanner  
 2004/0099067 A1 5/2004 Chen et al.  
 2006/0123929 A1 6/2006 Suovaniemi et al.  
 2006/0144169 A1 7/2006 Porat et al.  
 2008/0184823 A1 8/2008 Kneucker et al.  
 2009/0064801 A1 3/2009 Roussel  
 2009/0071267 A1 \* 3/2009 Mathus ..... B01L 3/0279  
 73/864.14  
 2009/0104079 A1 4/2009 O'Connell et al.  
 2009/0117009 A1 5/2009 Cote  
 2011/0209564 A1 \* 9/2011 Von Beichmann G01N 35/1011  
 73/864.01  
 2012/0121483 A1 5/2012 Pullinen et al.  
 2013/0047751 A1 \* 2/2013 Voss ..... G01N 35/1011  
 73/864.01  
 2014/0004020 A1 \* 1/2014 Tubbs ..... B01L 9/54  
 422/564  
 2014/0147349 A1 5/2014 Schmidt  
 2014/0199216 A1 7/2014 Moriarty et al.

\* cited by examiner

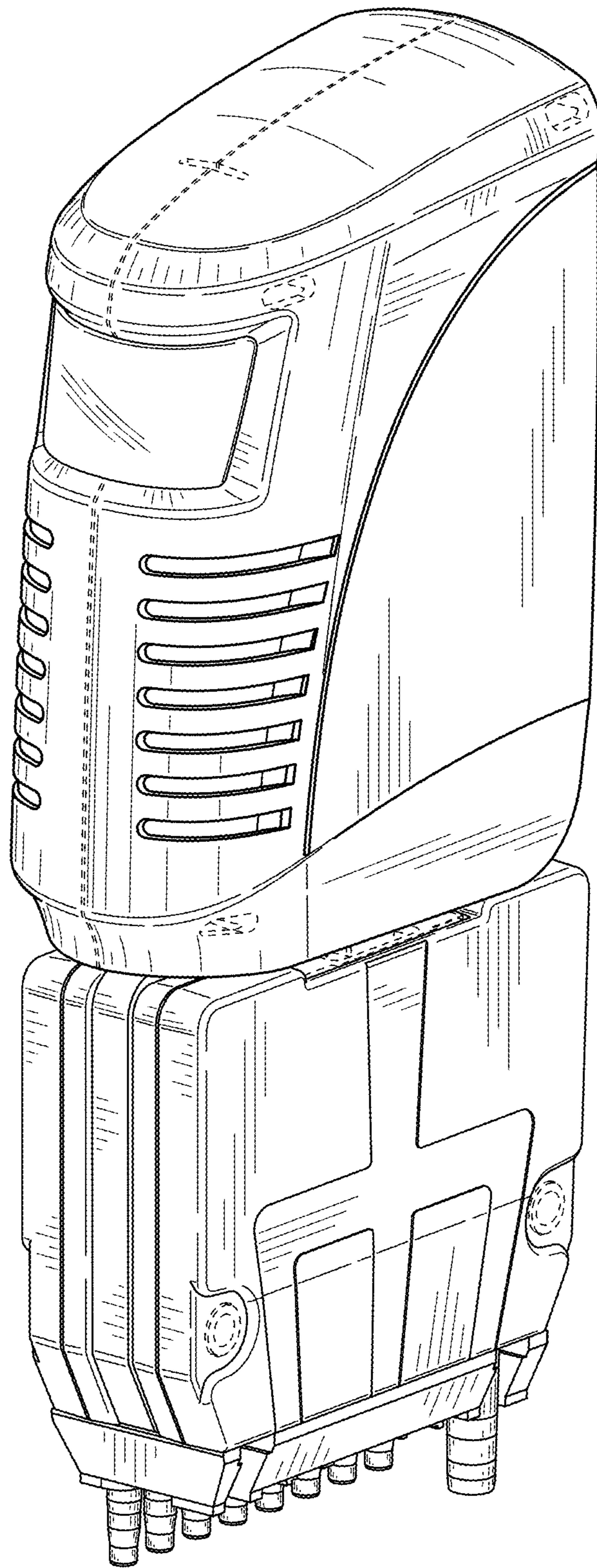


FIG. 1

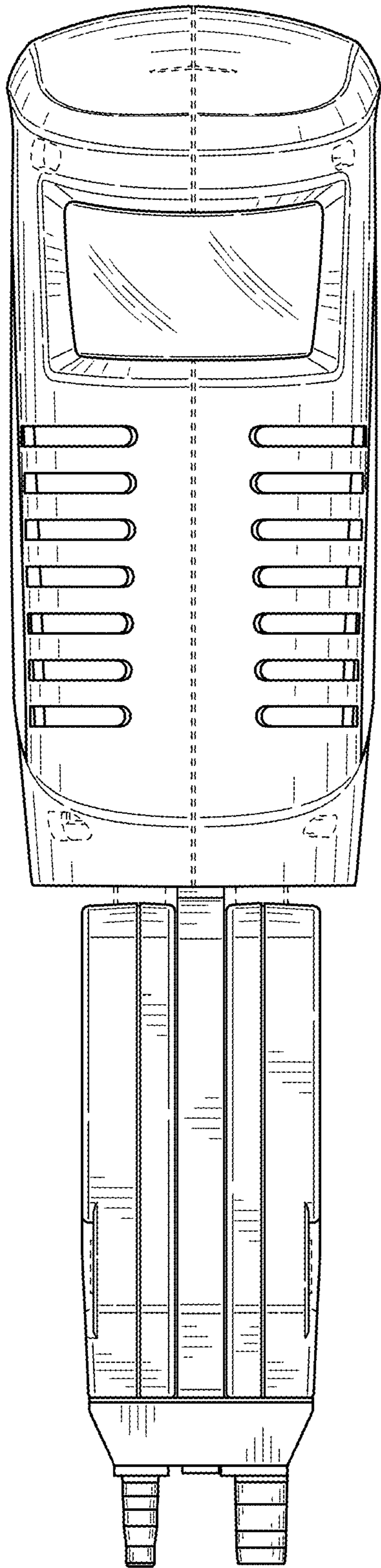


FIG. 2

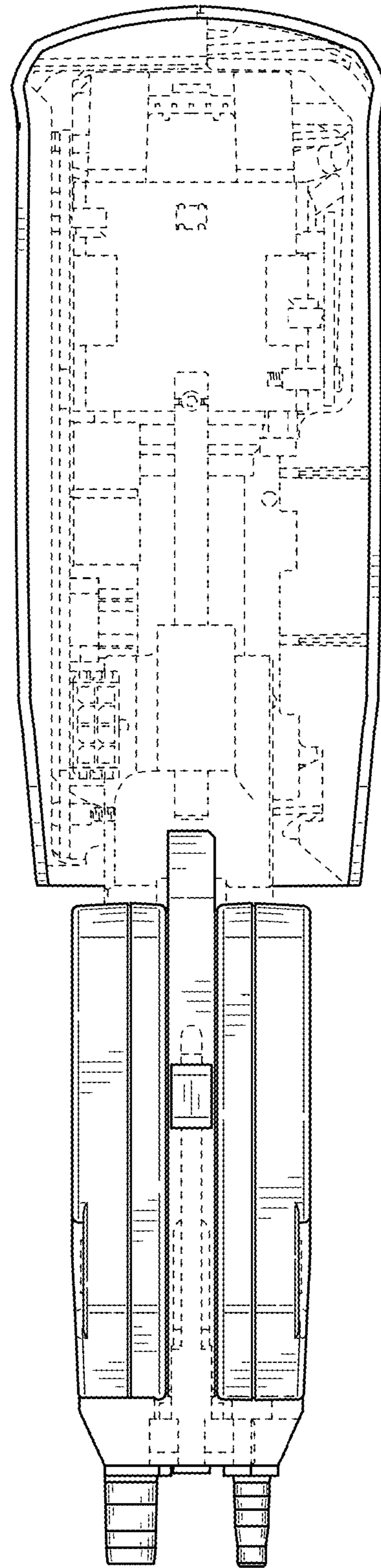


FIG. 3

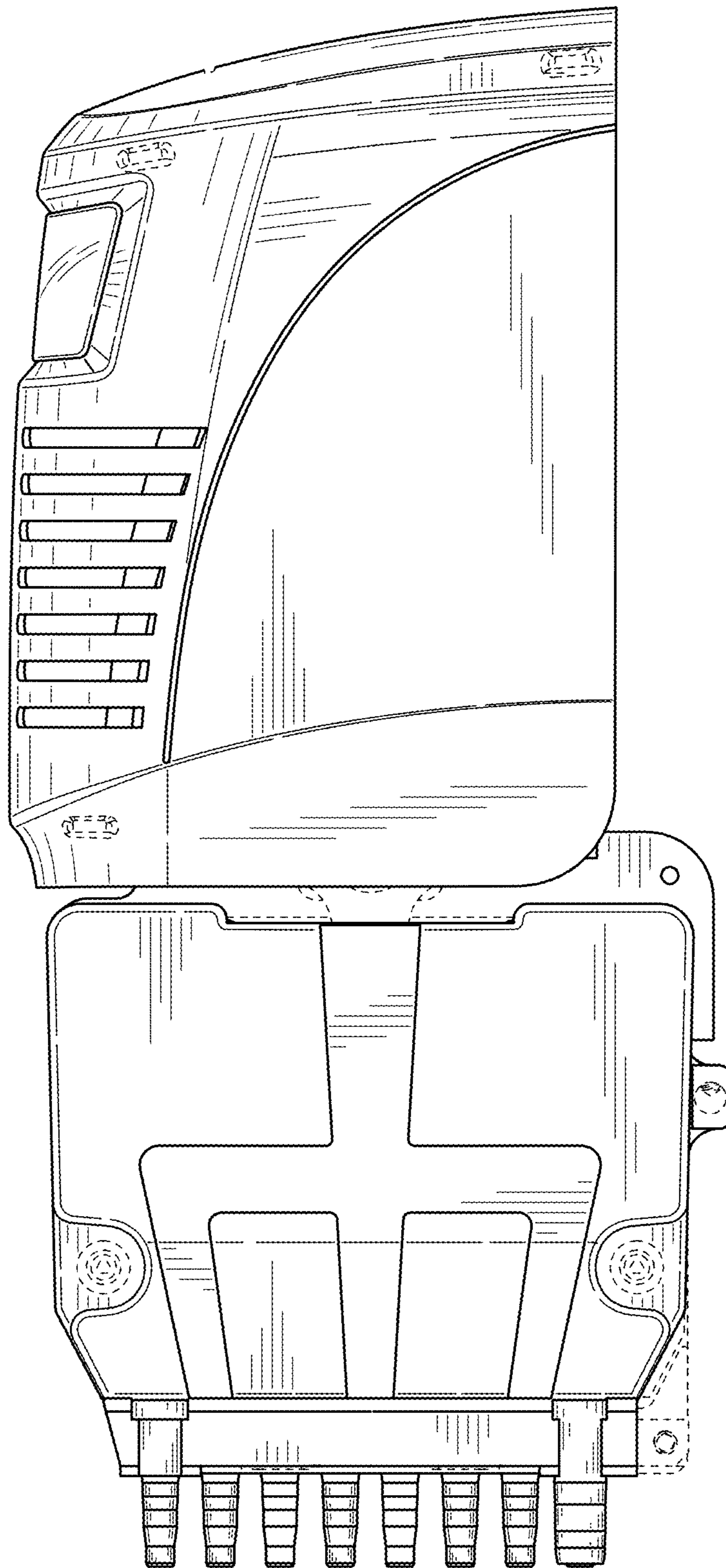


FIG. 4

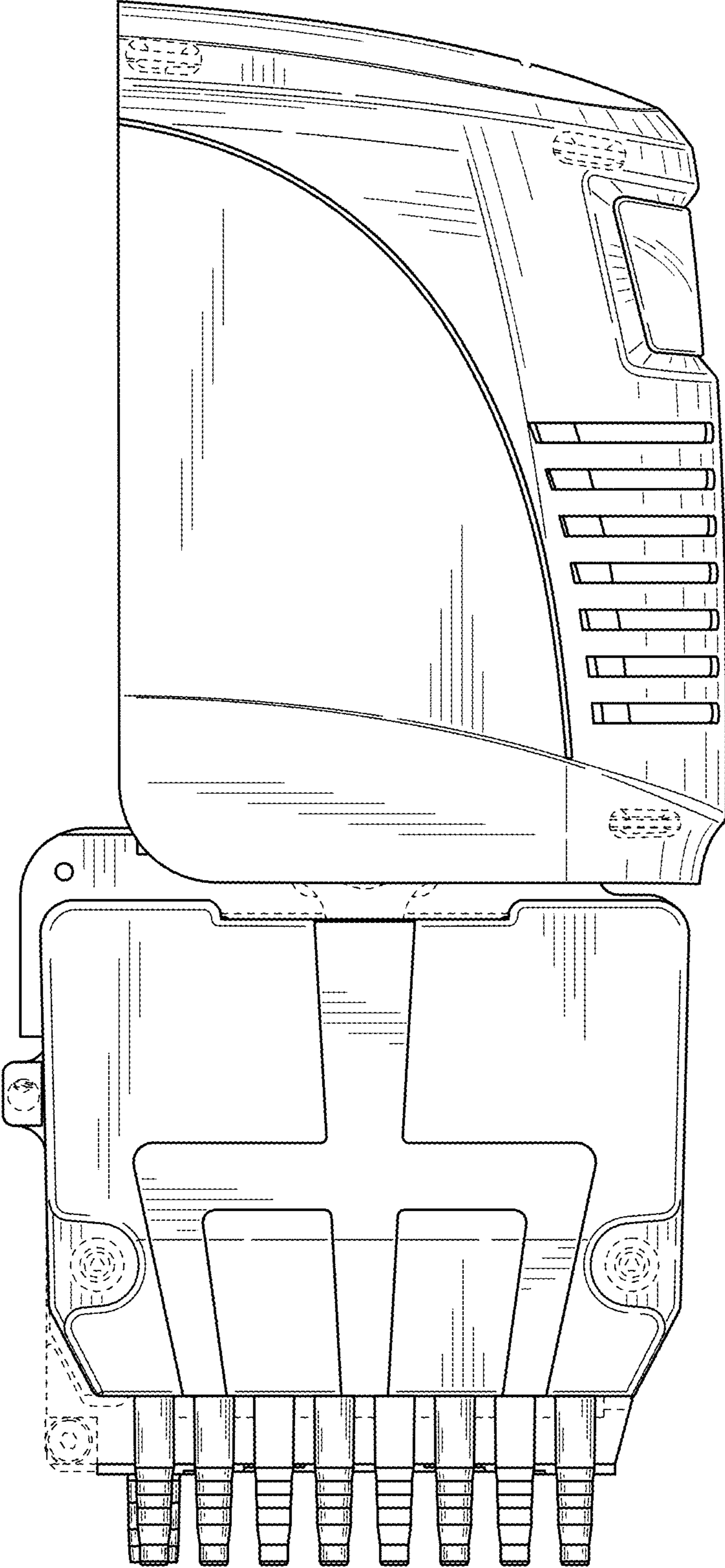


FIG. 5

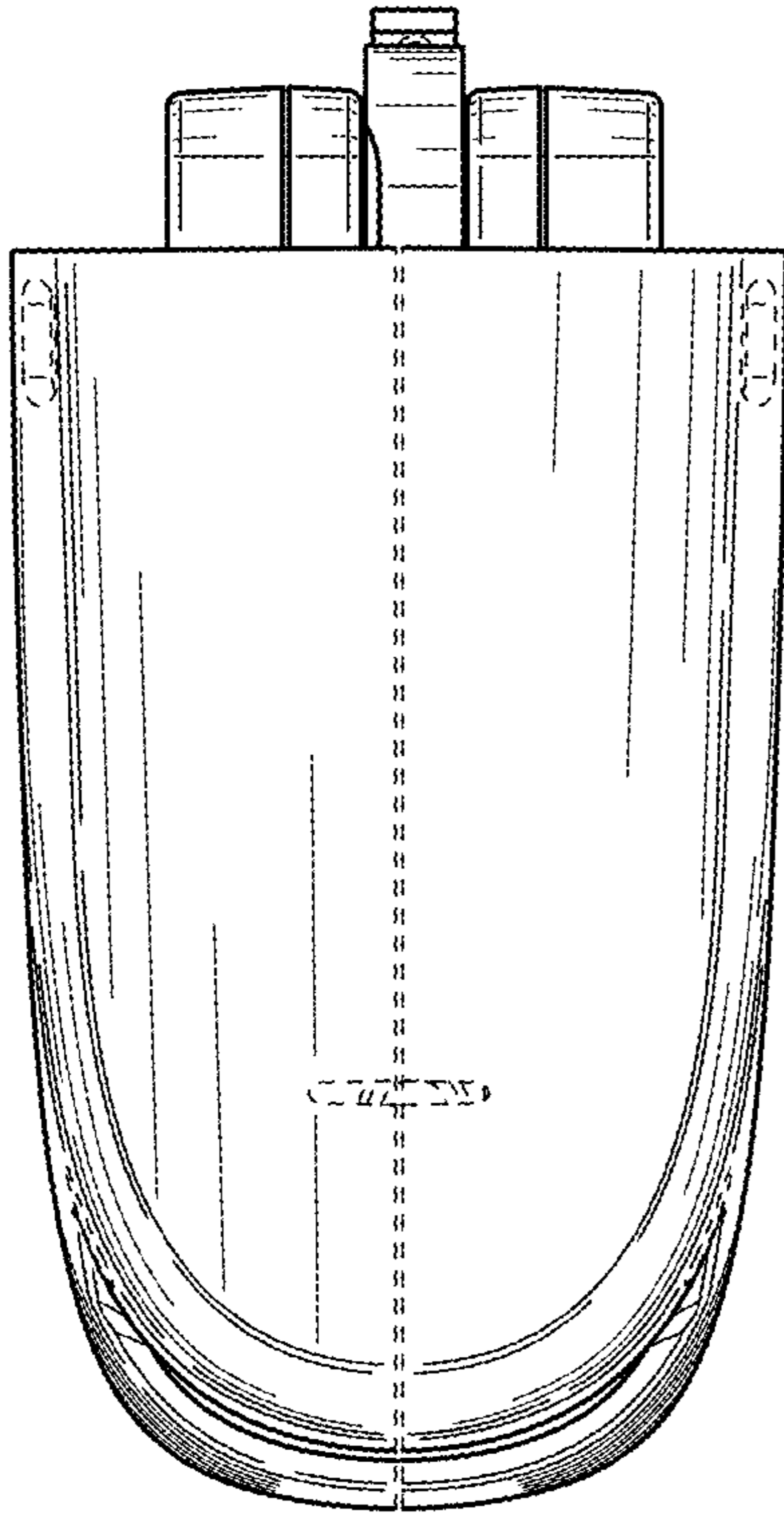


FIG. 6

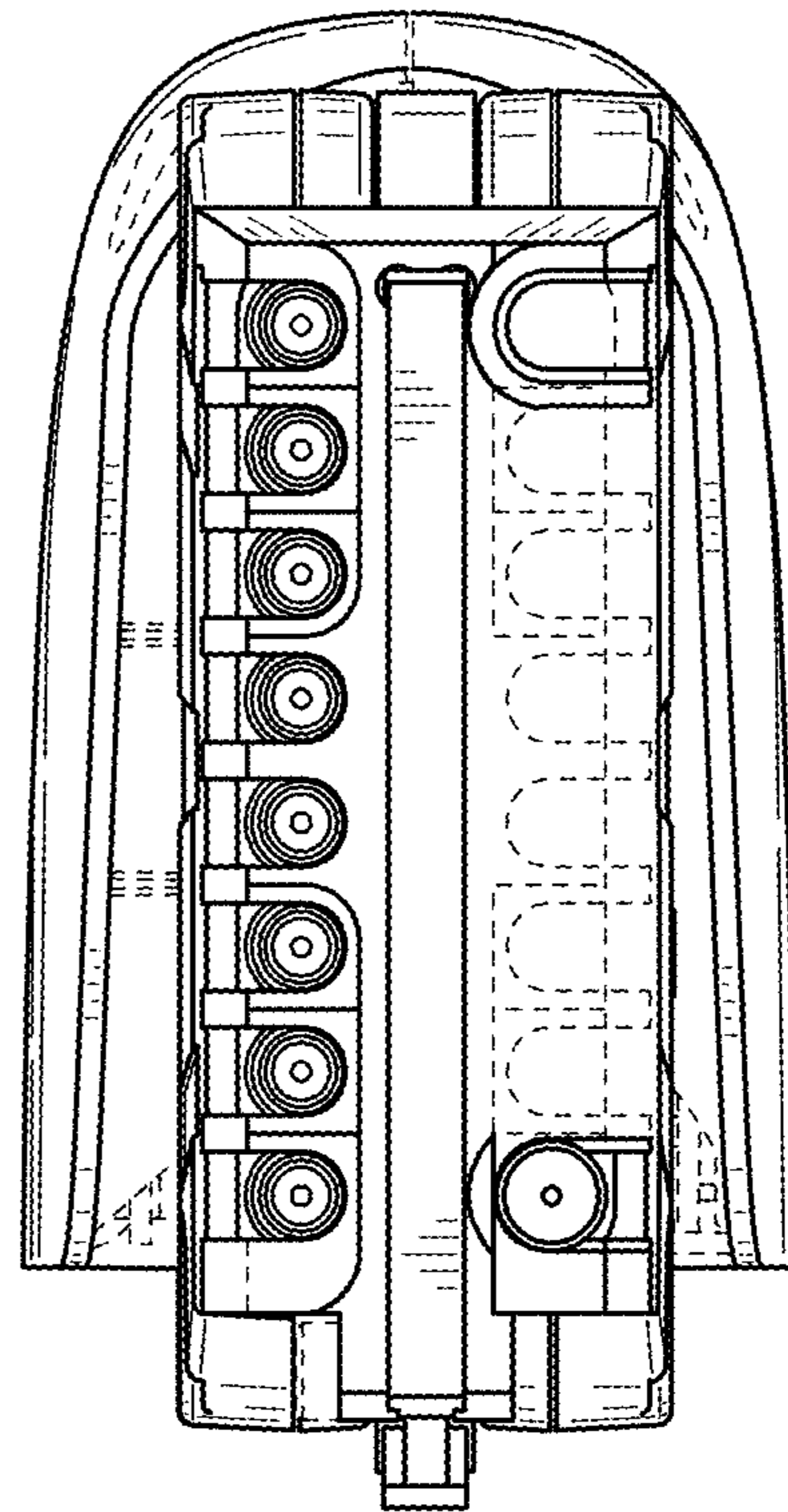


FIG. 7

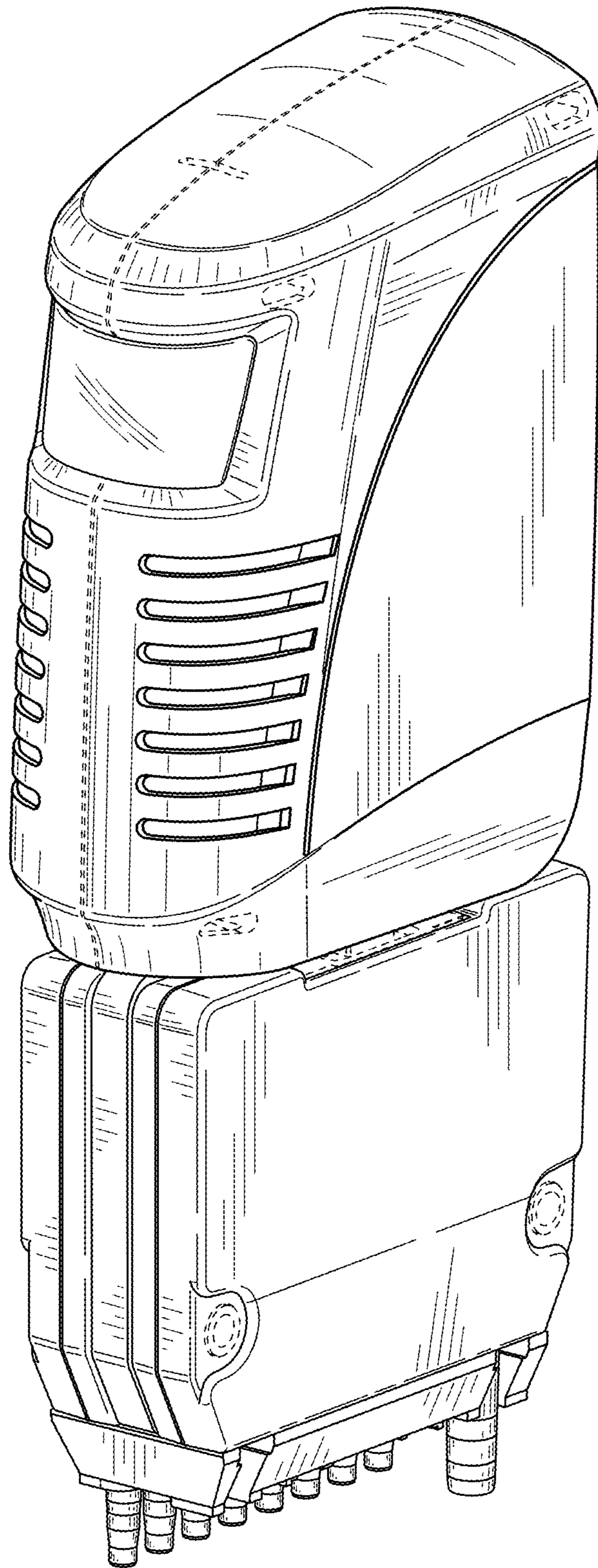


FIG. 8



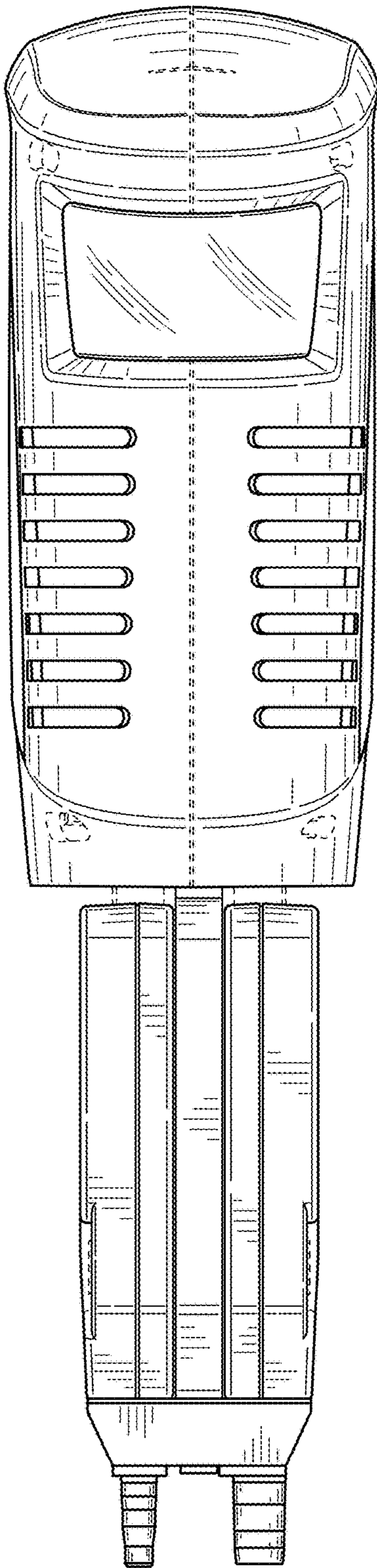


FIG. 9

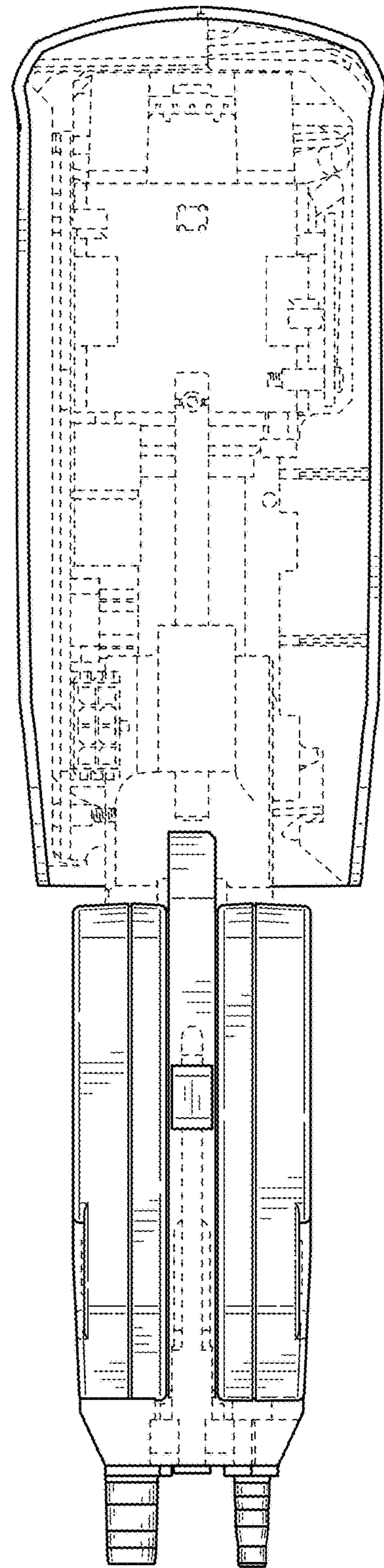


FIG. 10

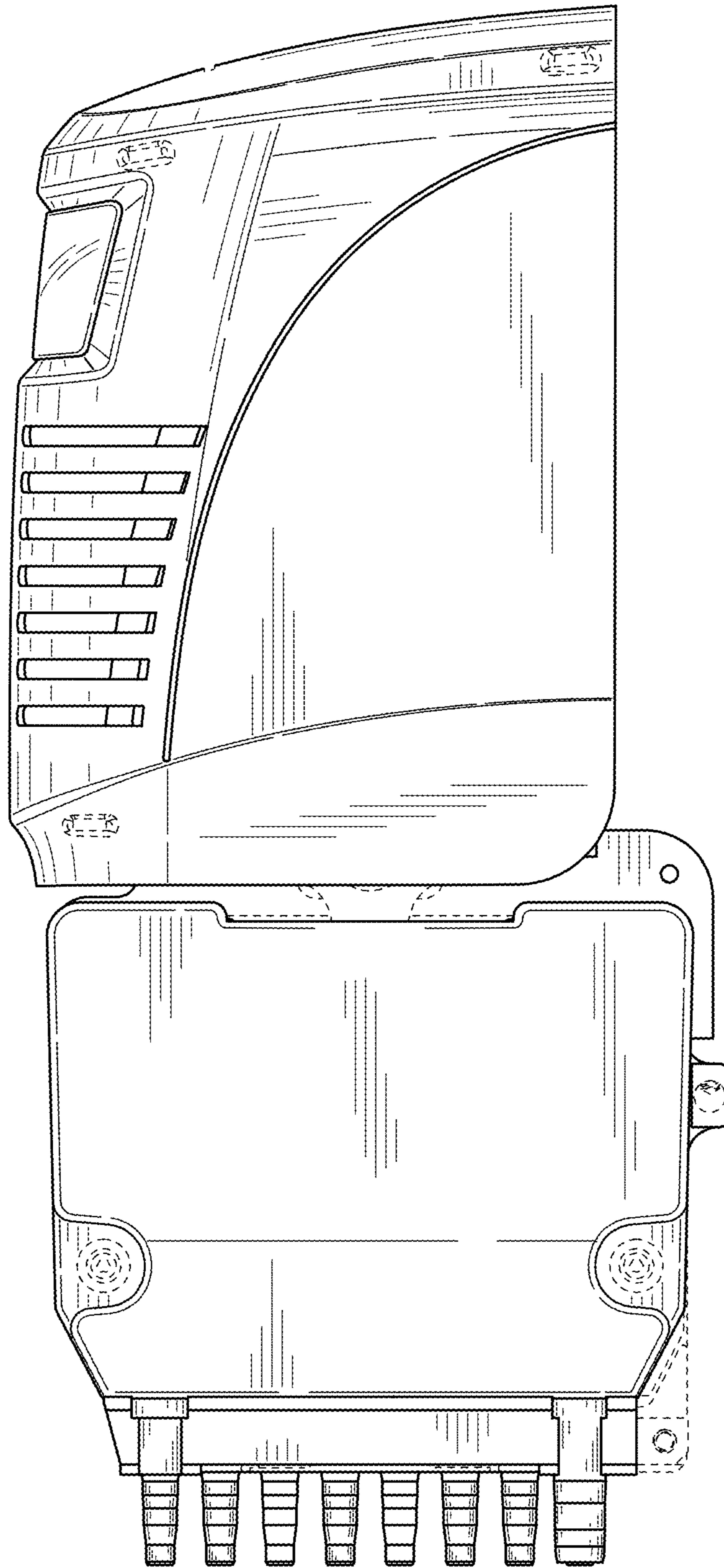


FIG. 11

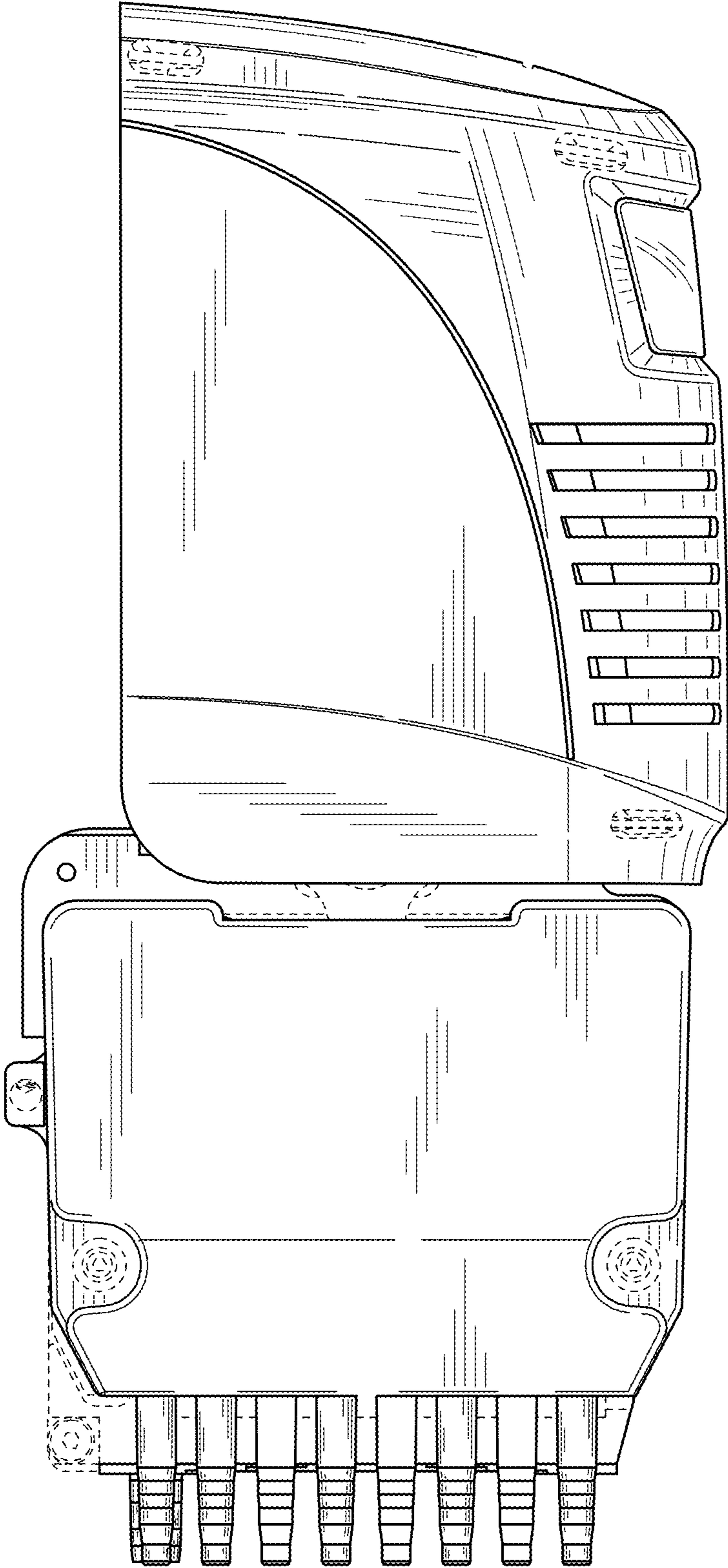


FIG. 12

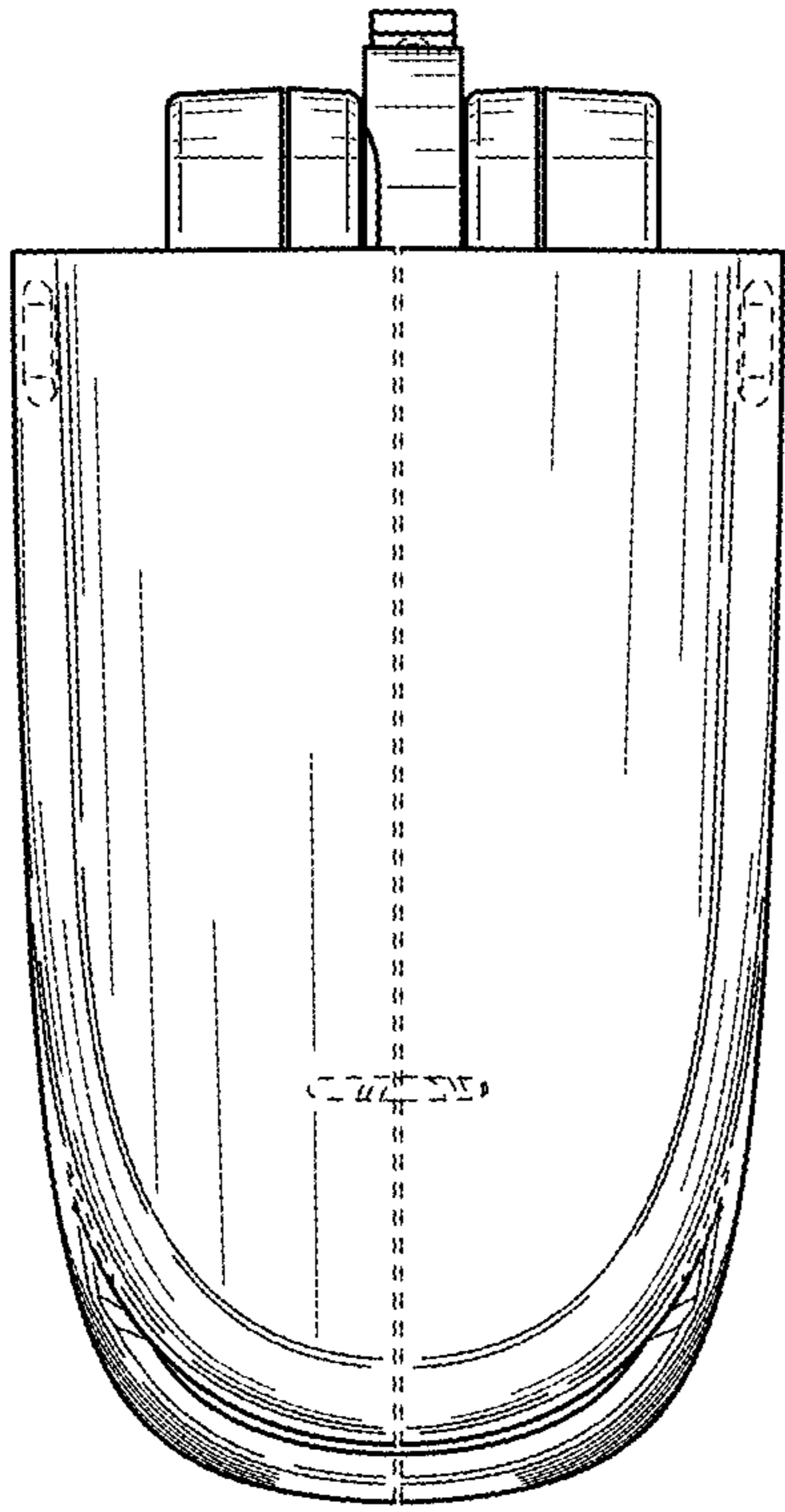


FIG. 13

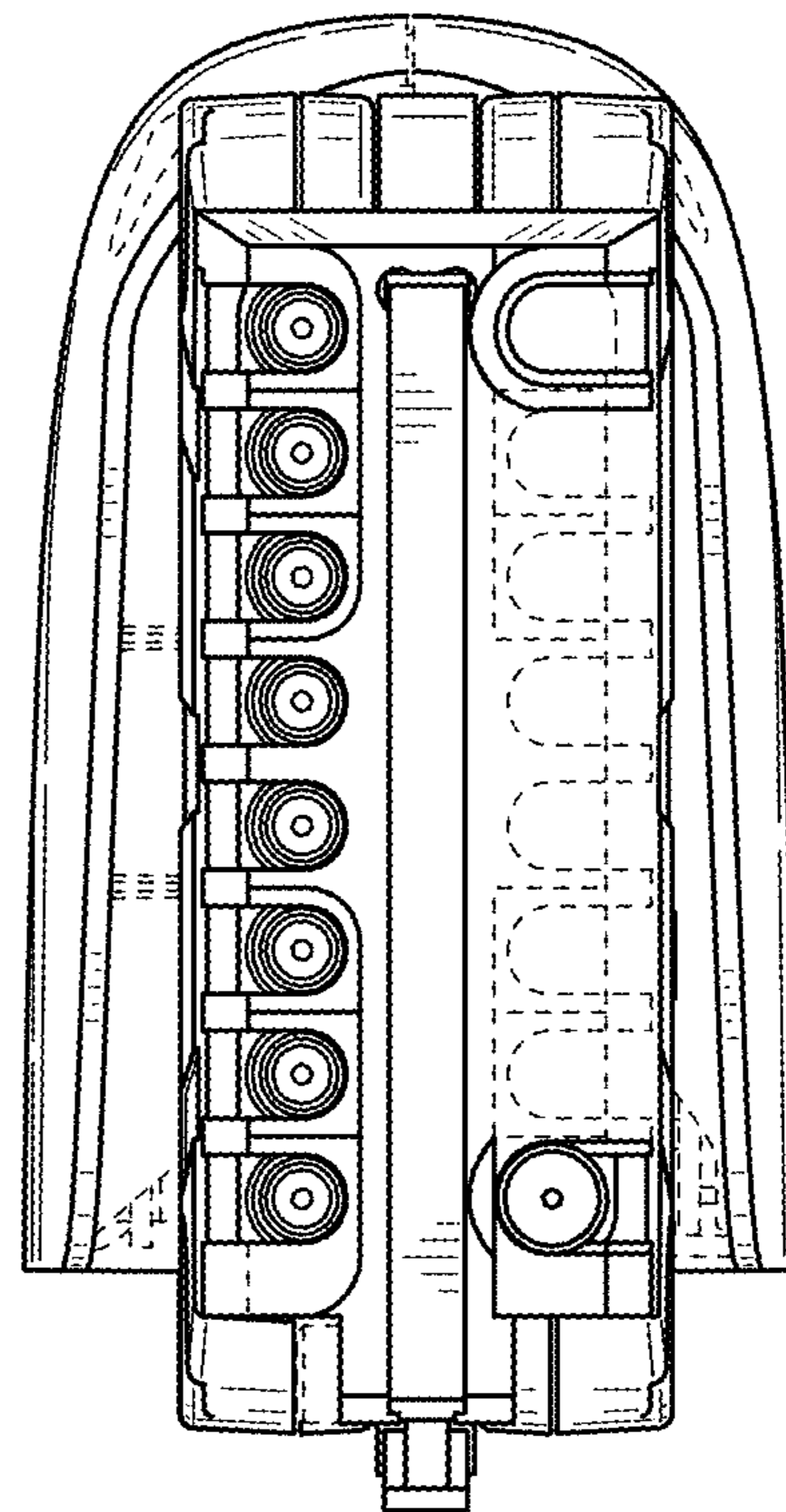


FIG. 14