



US00D807522S

(12) **United States Design Patent** (10) **Patent No.:** **US D807,522 S**
Berke et al. (45) **Date of Patent:** **** Jan. 9, 2018**

(54) **LUMINAIRE FOR LIGHT TREATMENTS**

(56) **References Cited**

(71) Applicant: **Verilux, Inc.**, Waitsfield, VT (US)

U.S. PATENT DOCUMENTS

(72) Inventors: **Dennis Berke**, River Falls, WI (US);
Joseph Cameron, Bloomington, MN
(US); **Davis Flanagan**, St. Paul, MN
(US); **Ryan J. Douglas**, Stillwater, MN
(US); **Jonathan Lawson**, Cottage
Grove, MN (US)

D700,973 S	3/2014	Douglas	
D704,851 S *	5/2014	Douglas	D24/209
D760,398 S	6/2016	Douglas	
D760,913 S *	7/2016	Douglas	D24/210
D783,172 S *	4/2017	Hilbig	D24/186
D783,835 S *	4/2017	Schon	D24/186

* cited by examiner

(73) Assignee: **Verilux, Inc.**, Waitsfield, VT (US)

Primary Examiner — Wan Laymon

(**) Term: **15 Years**

Assistant Examiner — Mark Booker

(21) Appl. No.: **29/563,253**

(74) *Attorney, Agent, or Firm* — Christensen, Fonder,
Dardi & Herbert PLLC; Curtis Herbert

(22) Filed: **May 3, 2016**

(57) **CLAIM**

(51) **LOC (11) Cl.** **28-03**

We claim the ornamental design for a luminaire for light treatments, as shown and described.

(52) **U.S. Cl.**

USPC **D24/210**

(58) **Field of Classification Search**

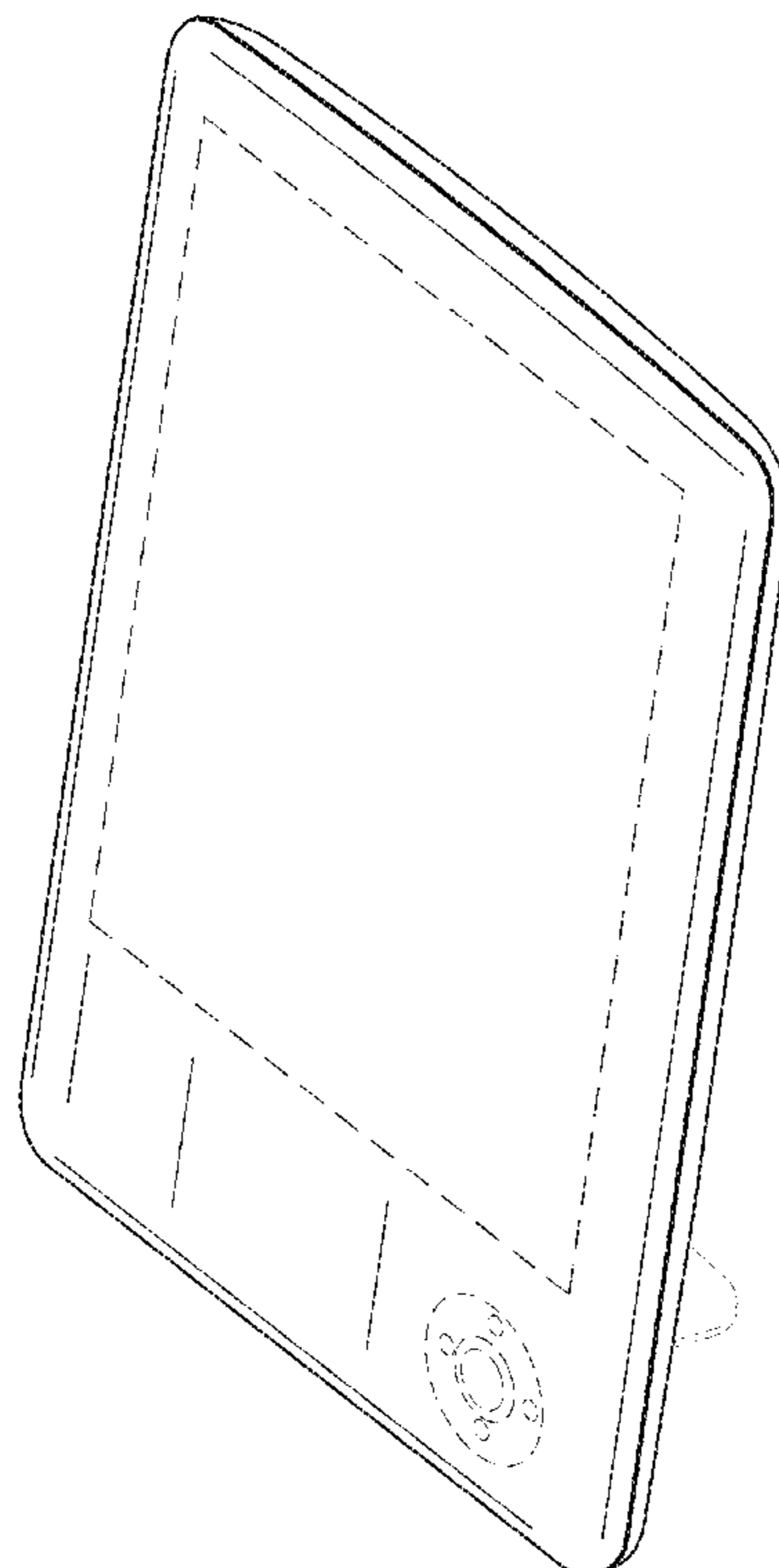
DESCRIPTION

USPC D24/210, 200, 209, 231, 107, 158–161,
D24/185, 186; D13/162, 163, 168, 171,
D13/174; D26/67, 70, 72, 82–86, 88–91,
D26/118, 129, 132; D14/125, 126, 302,
D14/305, 315, 496, 507, 510
CPC A61N 5/0616; A61N 5/0618; A61N
2005/0652; A61N 2005/0654; A61N
2005/0642; A61N 2005/0644; A61N
2005/0636; A61N 2005/0626; A61N
2005/0627; A61B 2018/00452; A61B
2018/1807

FIG. 1 is a perspective view of a luminaire showing Applicant's new design;
FIG. 2 is a front view of the embodiment of FIG. 1;
FIG. 3 is a back view of the embodiment of FIG. 1;
FIG. 4 is a right view of the embodiment of FIG. 1;
FIG. 5 is a top view of the embodiment of FIG. 1; and,
FIG. 6 is a bottom view of the embodiment of FIG. 1.
The broken lines shown on the drawings depict portions of the light fixture that form no part of the claimed design.

See application file for complete search history.

1 Claim, 5 Drawing Sheets



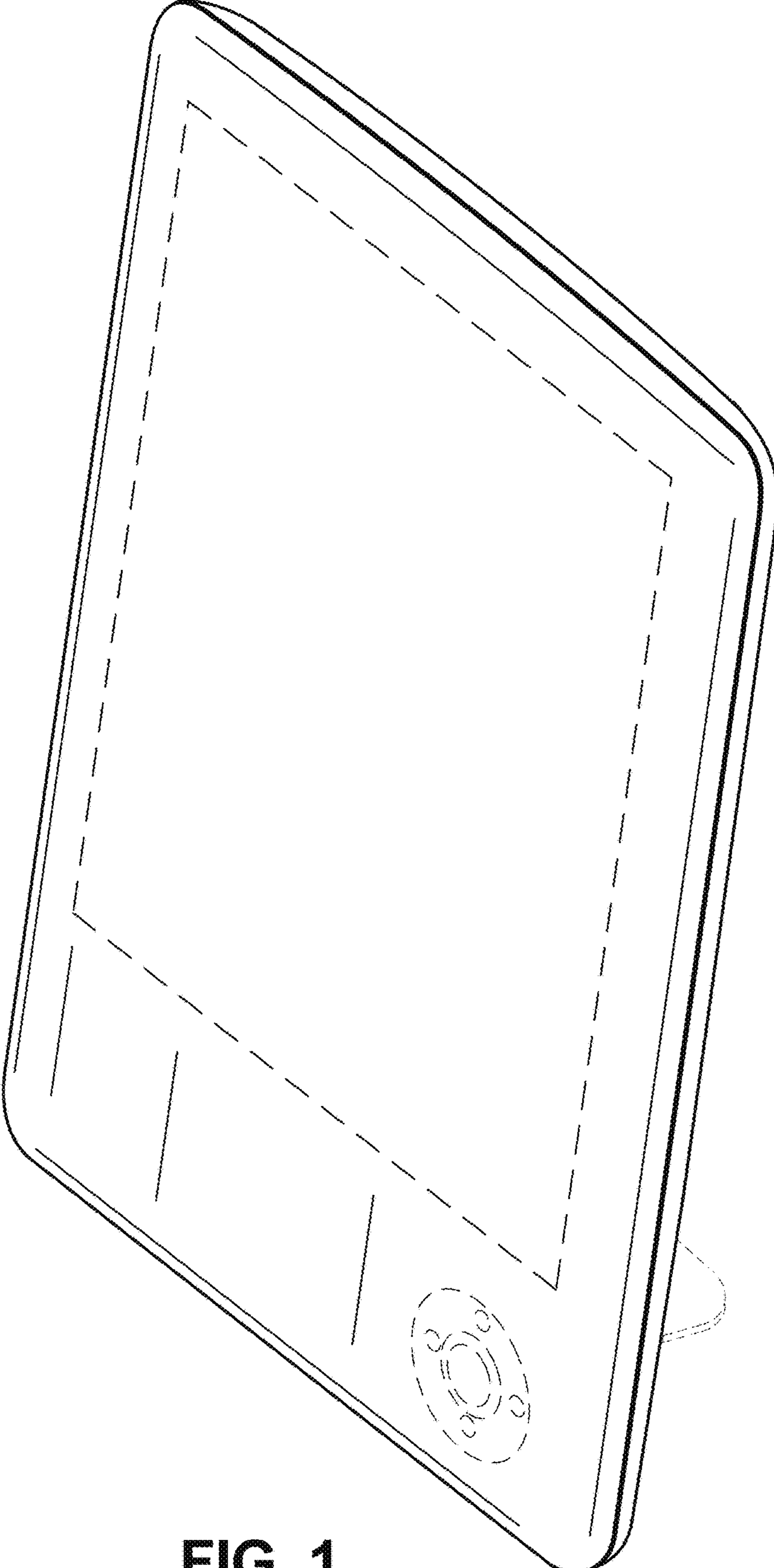


FIG. 1

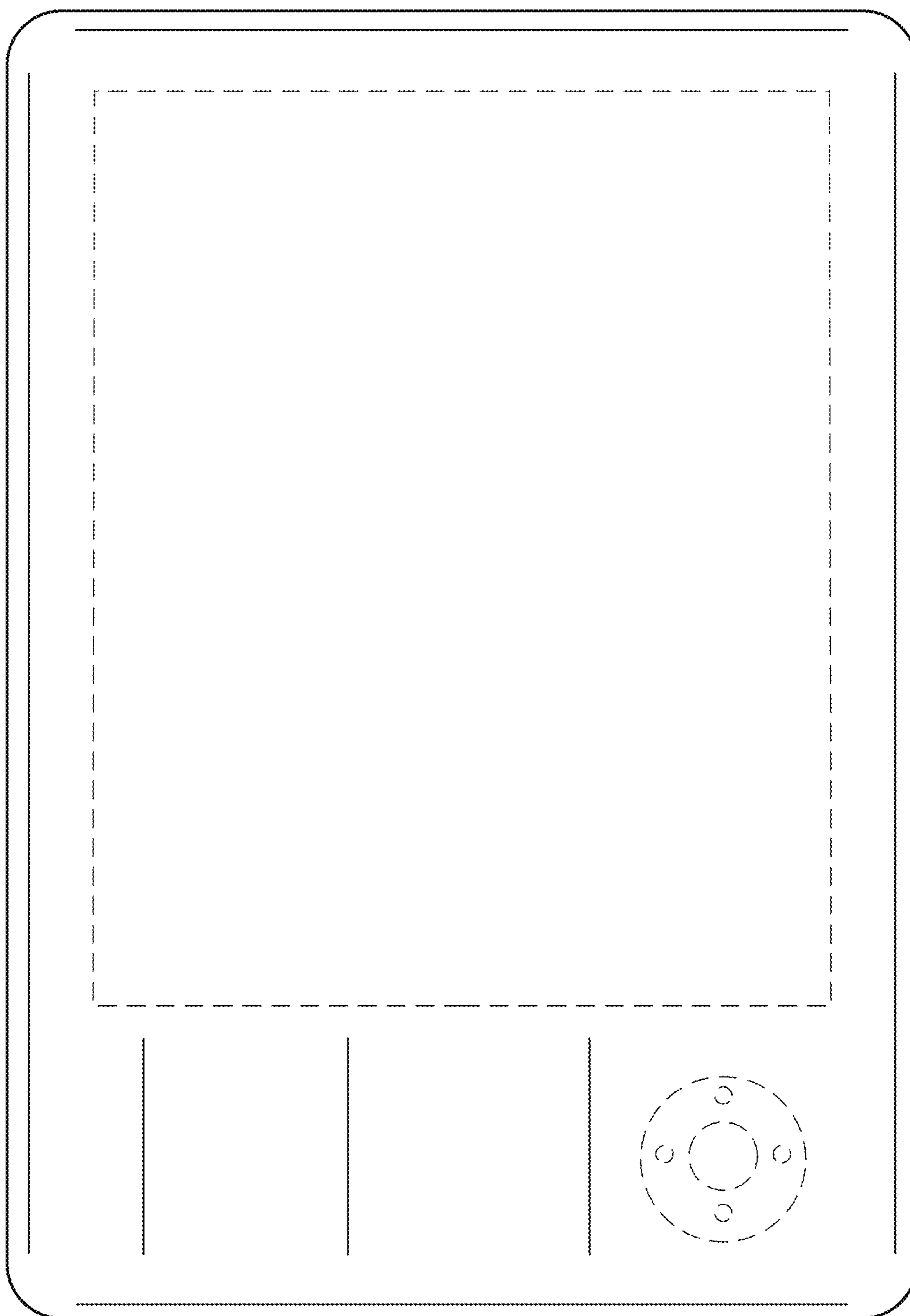


FIG. 2

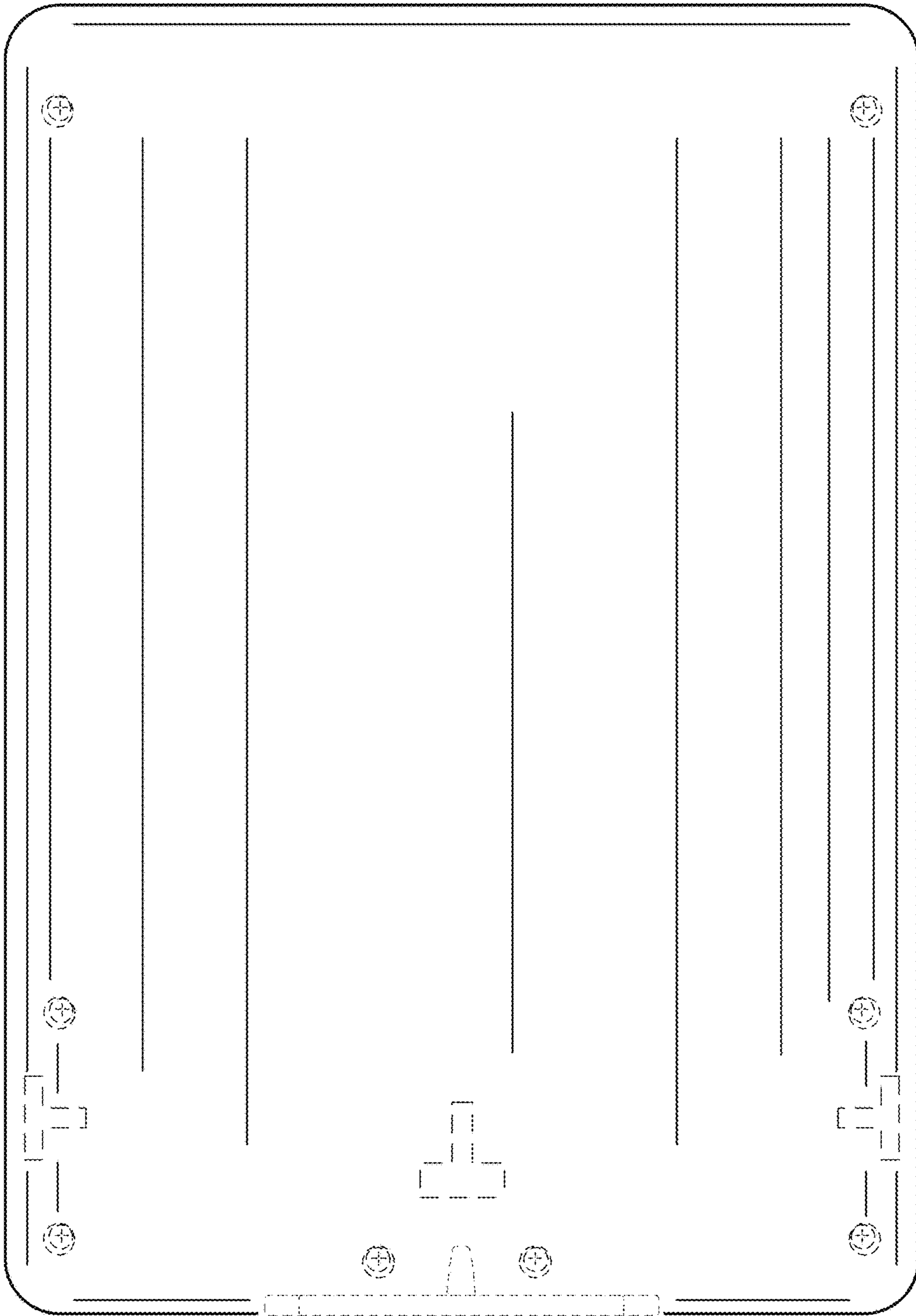


FIG. 3

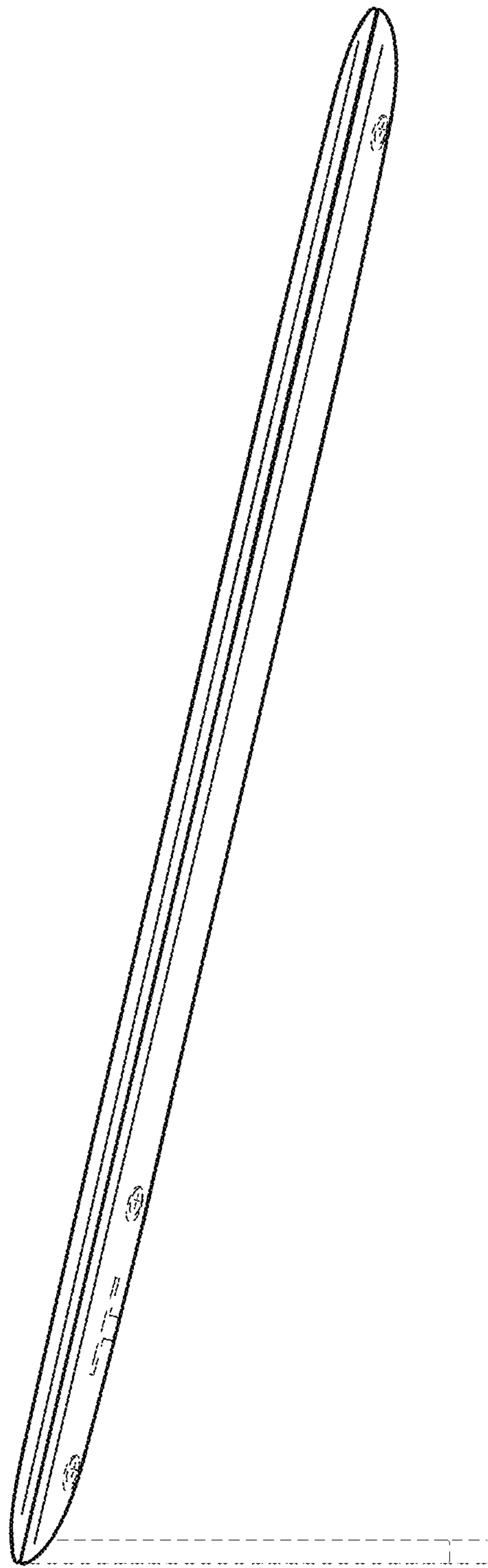


FIG. 4

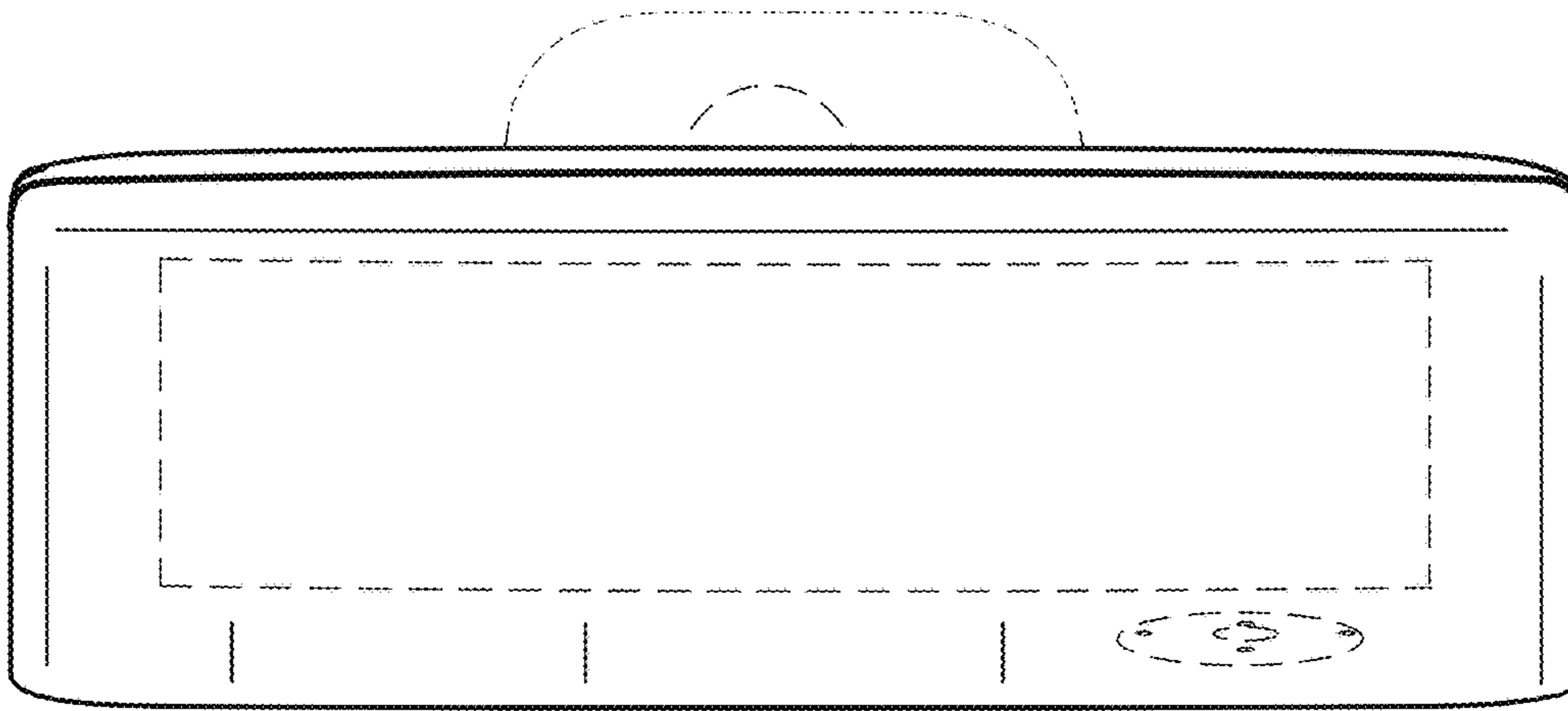


FIG. 5

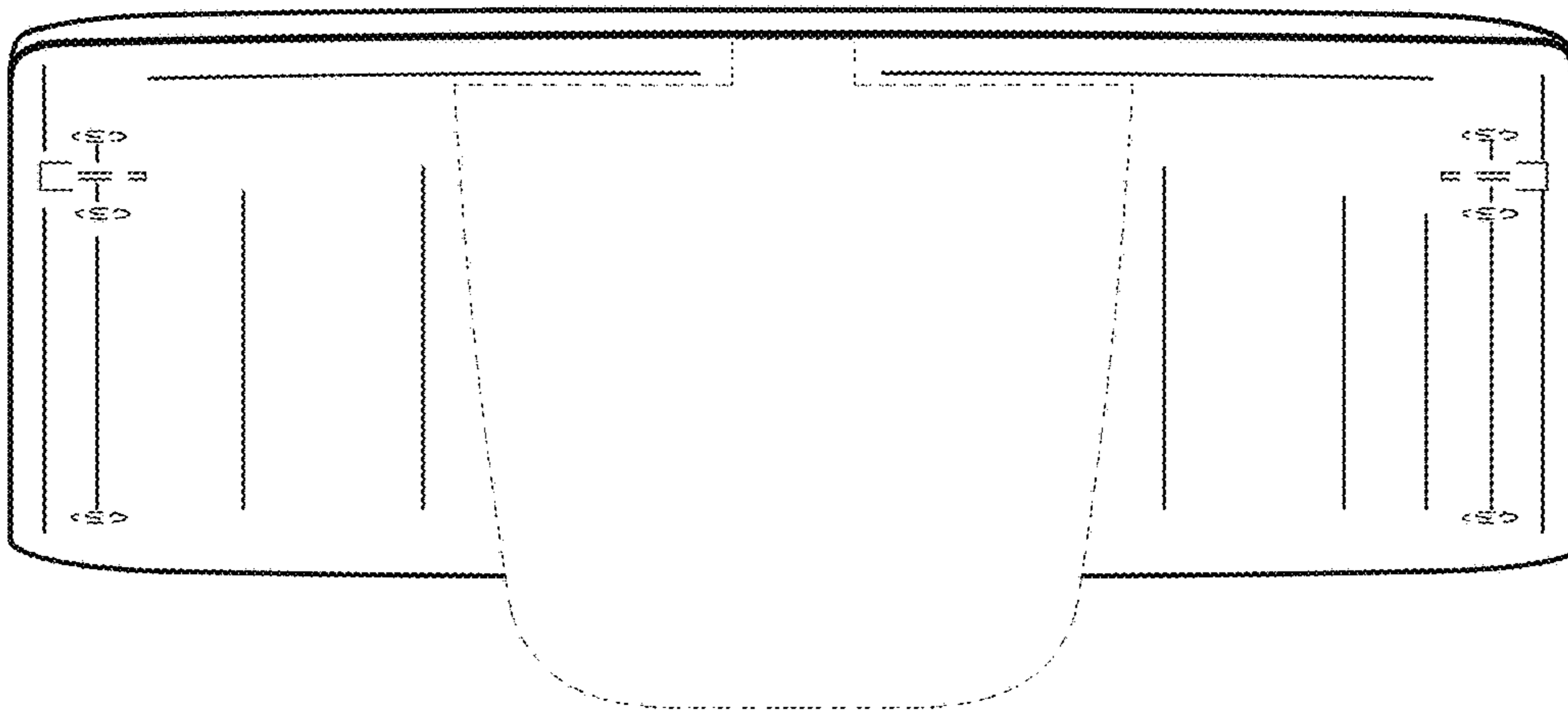


FIG. 6