



US00D807521S

(12) **United States Design Patent**
Wayman

(10) **Patent No.:** **US D807,521 S**

(45) **Date of Patent:** **** Jan. 9, 2018**

(54) **CALF MASSAGING DEVICE**

(71) Applicant: **Dena Faragher Wayman**, Los Angeles, CA (US)

(72) Inventor: **Dena Faragher Wayman**, Los Angeles, CA (US)

(**) Term: **15 Years**

(21) Appl. No.: **29/608,598**

(22) Filed: **Jun. 22, 2017**

(51) **LOC (11) Cl.** **28-03**

(52) **U.S. Cl.**
USPC **D24/200**

(58) **Field of Classification Search**

USPC D24/200, 212-215
CPC A61H 15/00; A61H 15/0085; A61H 15/0092; A61H 2015/0014; A61H 2015/0021; A61H 2201/0153; A61H 2201/0157; A61H 2205/10; A61H 2205/12; A61H 2205/106

See application file for complete search history.

(56) **References Cited**

U.S. PATENT DOCUMENTS

D299,862 S * 2/1989 Norrid D24/211
D396,295 S * 7/1998 Summers D24/211

D535,751 S * 1/2007 Lifeng D24/200
D612,946 S * 3/2010 Ferri D24/200
9,011,356 B2 * 4/2015 McClorey A61H 15/00
601/122
2017/0143580 A1 * 5/2017 Mercer A61H 15/00

* cited by examiner

Primary Examiner — Wan Laymon

(74) *Attorney, Agent, or Firm* — Quickpatents, LLC; Kevin Prince

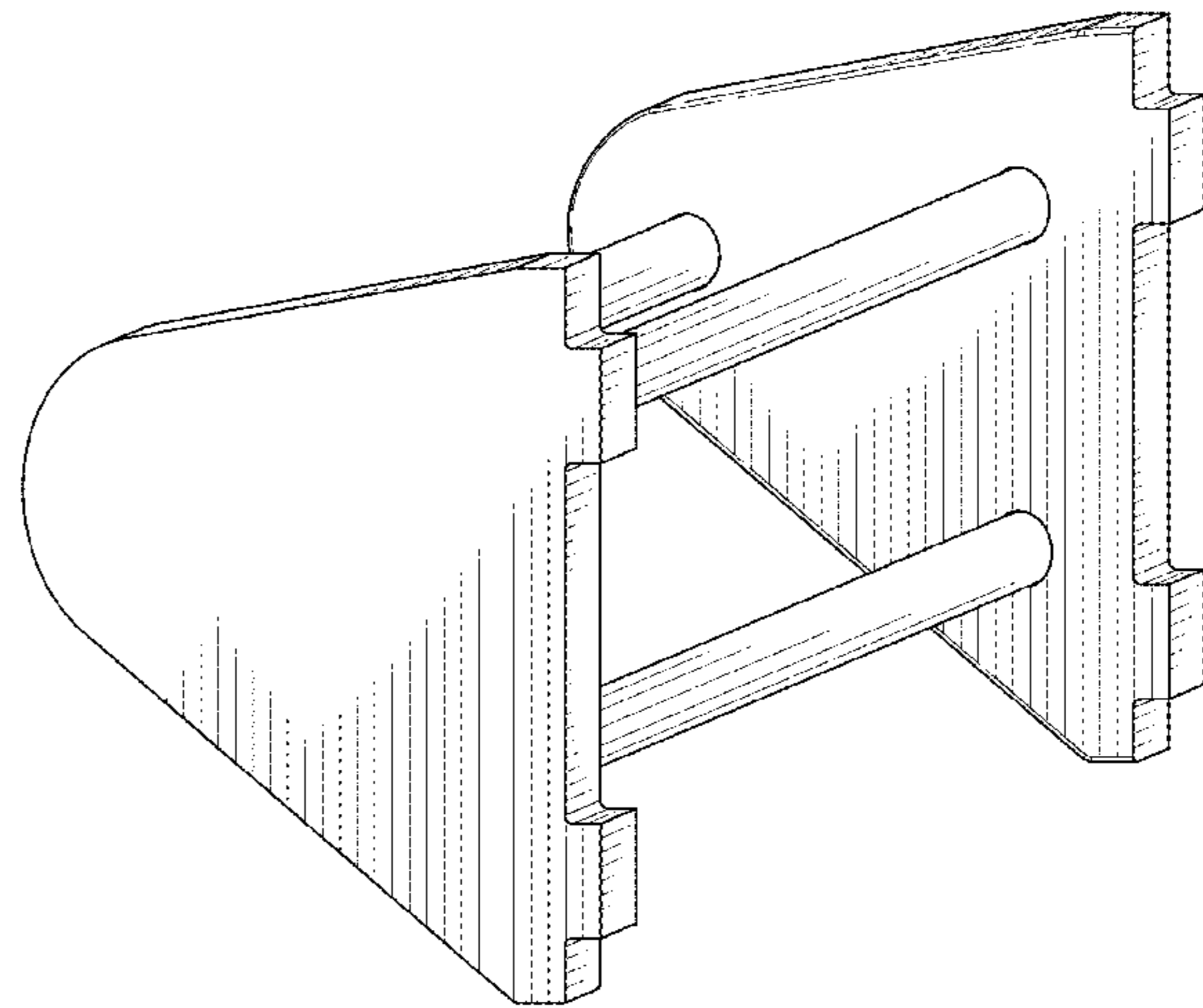
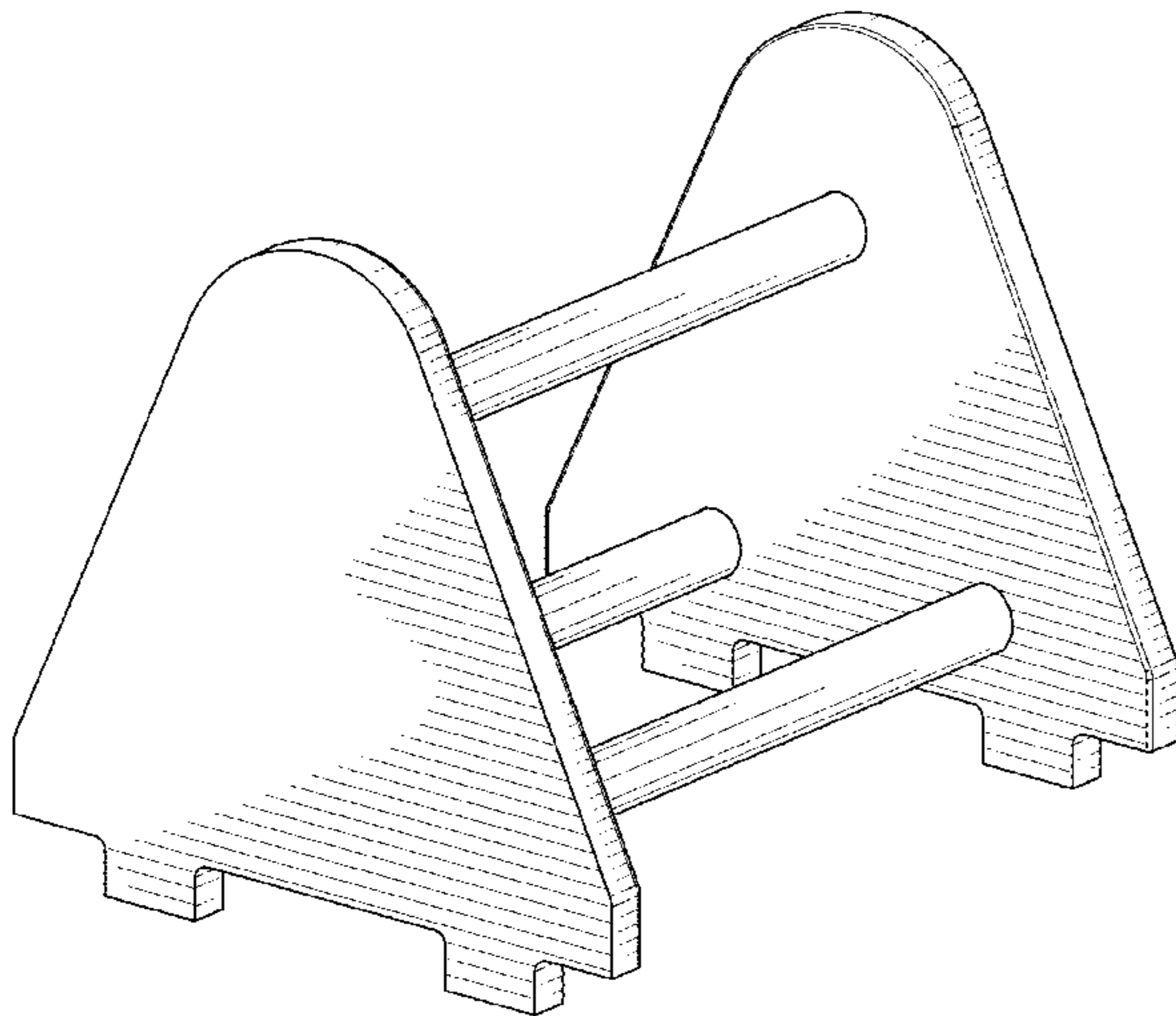
(57) **CLAIM**

I claim the ornamental design for a calf massaging device, as shown and described.

DESCRIPTION

FIG. 1 is a top perspective view of a calf massaging device, showing my new design;
FIG. 2 is a front elevational view thereof, the rear elevational view being a mirror image thereof;
FIG. 3 is a left-side elevational view thereof, the right-side elevational view being a mirror image thereof;
FIG. 4 is a top plan view thereof;
FIG. 5 is a bottom plan view thereof; and,
FIG. 6 is a bottom perspective view thereof.

1 Claim, 4 Drawing Sheets



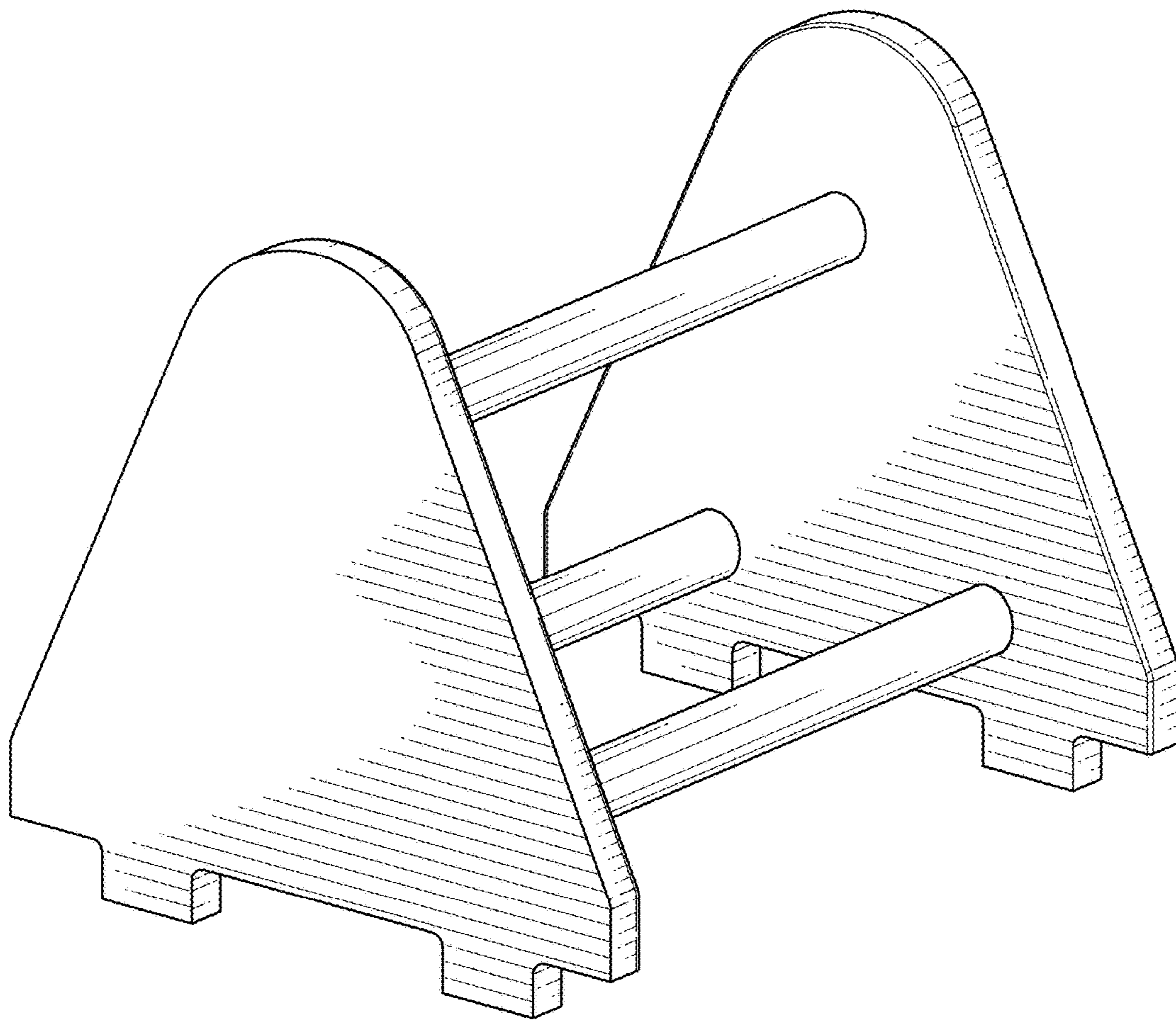


FIG. 1

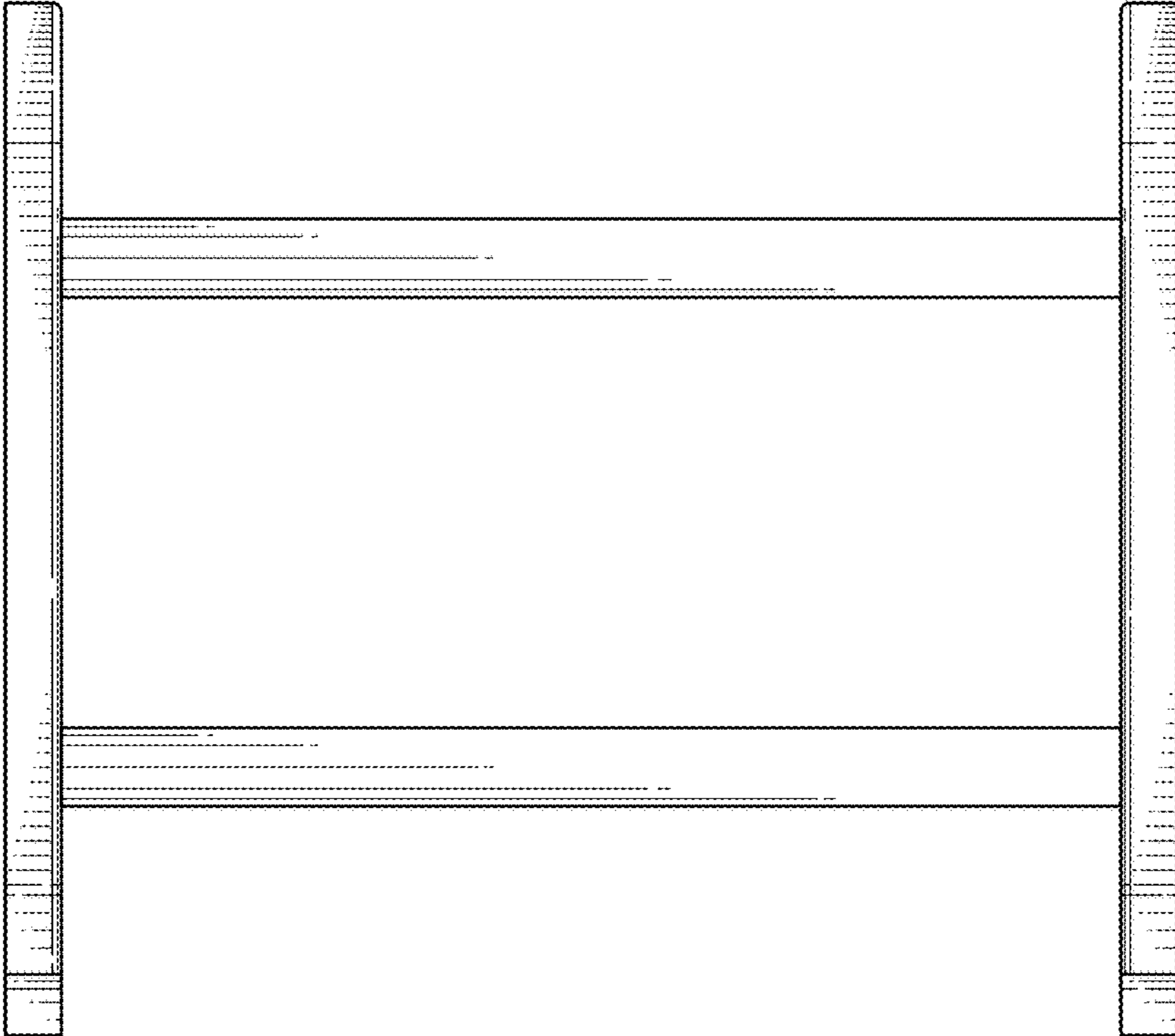


FIG. 2

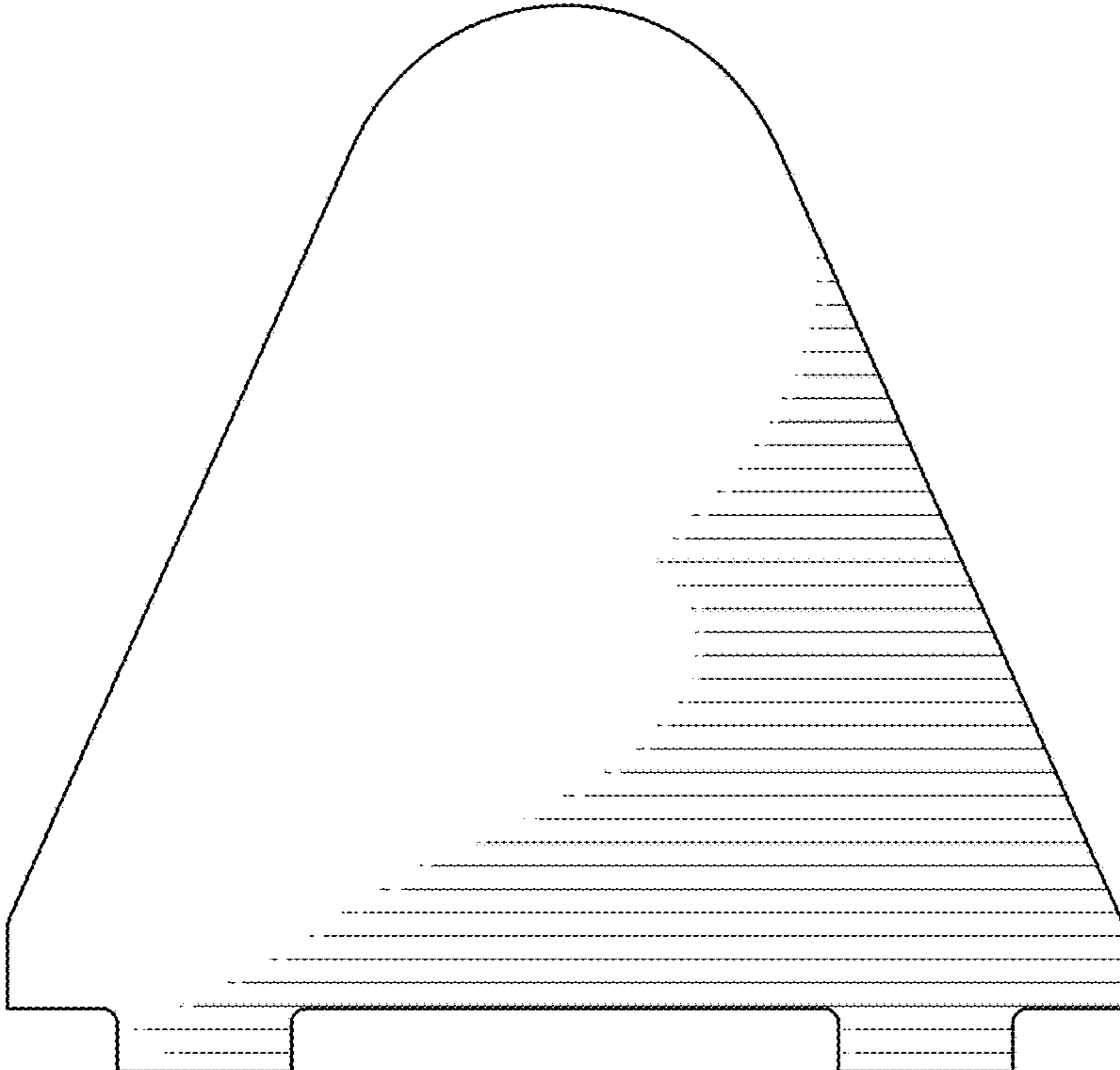


FIG. 3

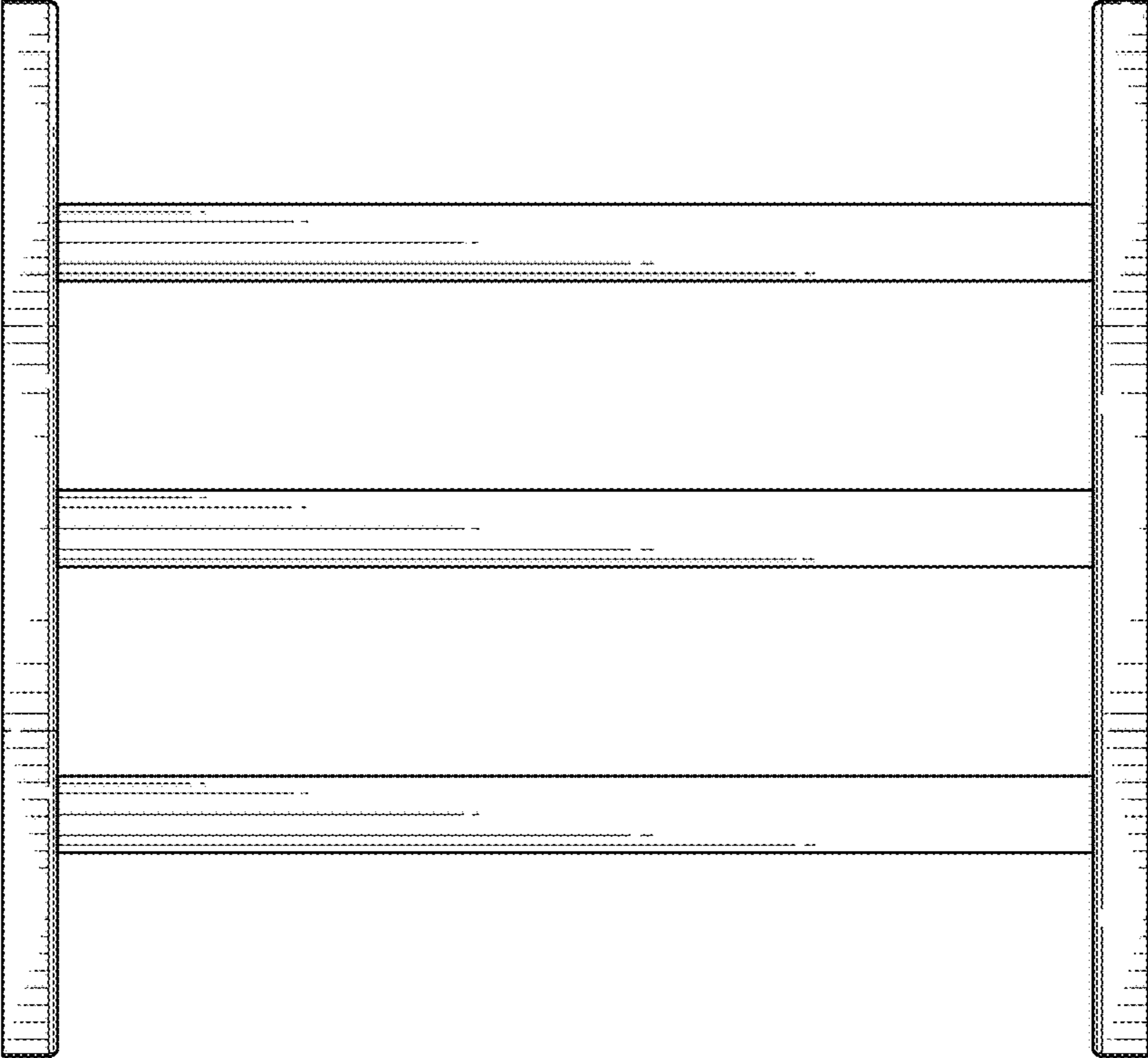


FIG. 4

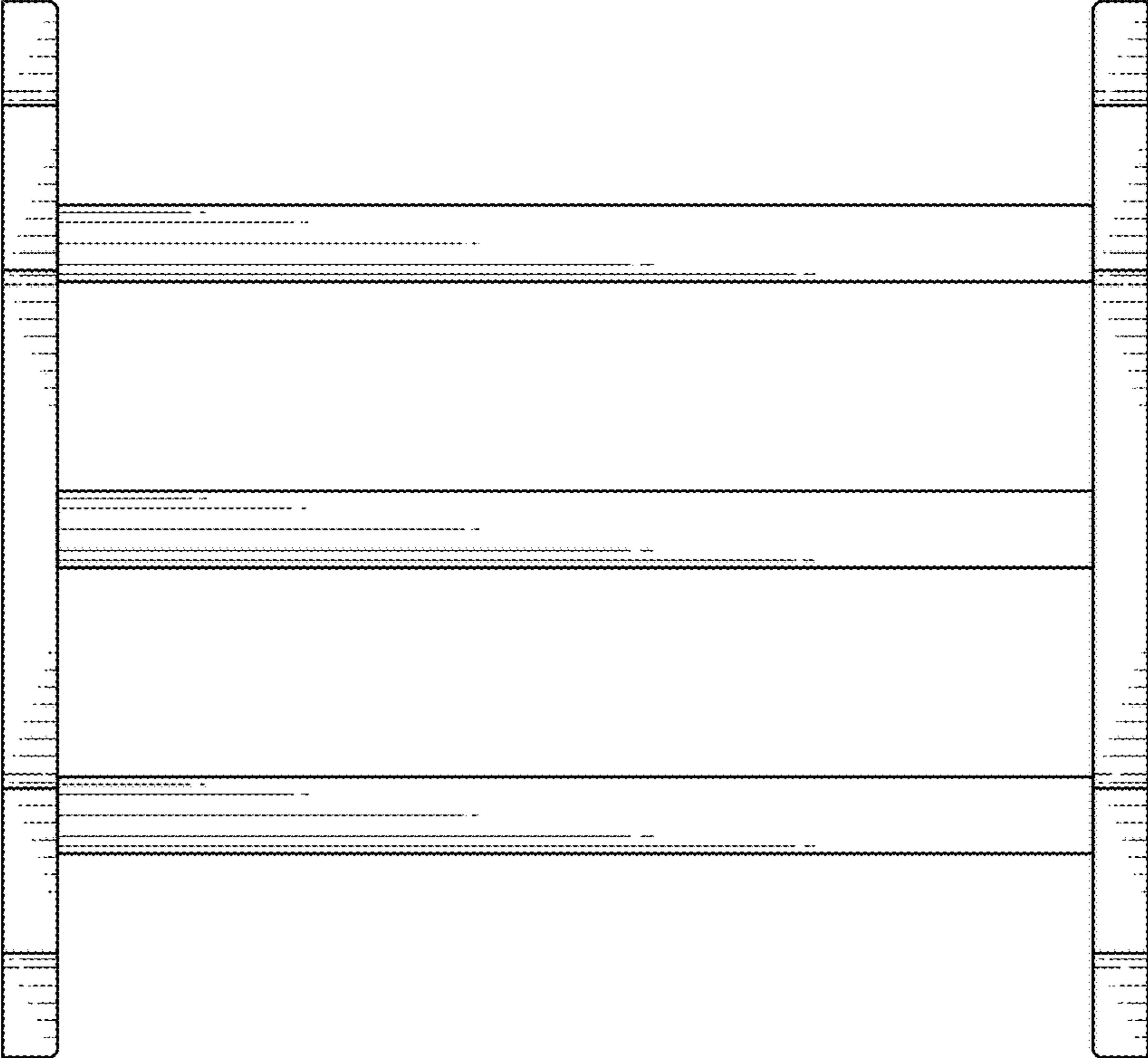


FIG. 5

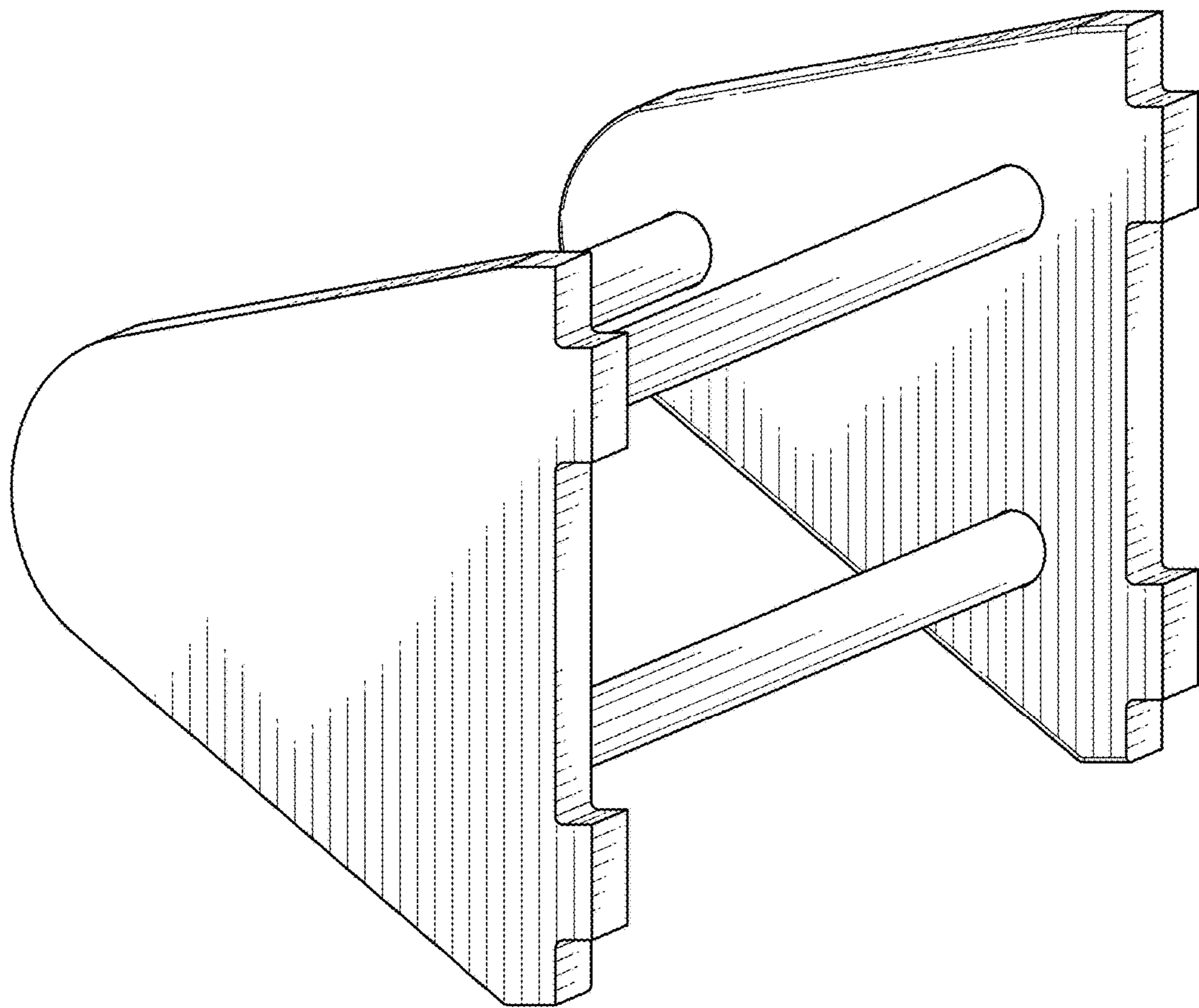


FIG. 6