



US00D807520S

(12) **United States Design Patent**
Ho

(10) **Patent No.:** **US D807,520 S**
(45) **Date of Patent:** **** Jan. 9, 2018**

(54) **LIP SHAPING DEVICE**

(71) Applicant: **Thienna Ho**, San Francisco, CA (US)

(72) Inventor: **Thienna Ho**, San Francisco, CA (US)

(**) Term: **15 Years**

(21) Appl. No.: **29/601,611**

(22) Filed: **Apr. 24, 2017**

Related U.S. Application Data

(60) Division of application No. 29/538,035, filed on Aug. 31, 2015, now Pat. No. Des. 795,443, which is a
(Continued)

(51) **LOC (11) Cl.** **28-03**

(52) **U.S. Cl.**
USPC **D24/200**

(58) **Field of Classification Search**
USPC D24/200, 206–208, 214–215; D28/91.1
(Continued)

(56) **References Cited**

U.S. PATENT DOCUMENTS

463,900 A 11/1891 Hyde
RE15,641 E 7/1923 Emery
(Continued)

OTHER PUBLICATIONS

Apple Shape Container, Imprint Items, Aug. 22, 2011, <http://www.imprintitems.com/blog/9093/apple-shaped-container-in-red-clear-or-green/>.

(Continued)

Primary Examiner — Wan Laymon

(74) *Attorney, Agent, or Firm* — Snell & Wilmer L.L.P.

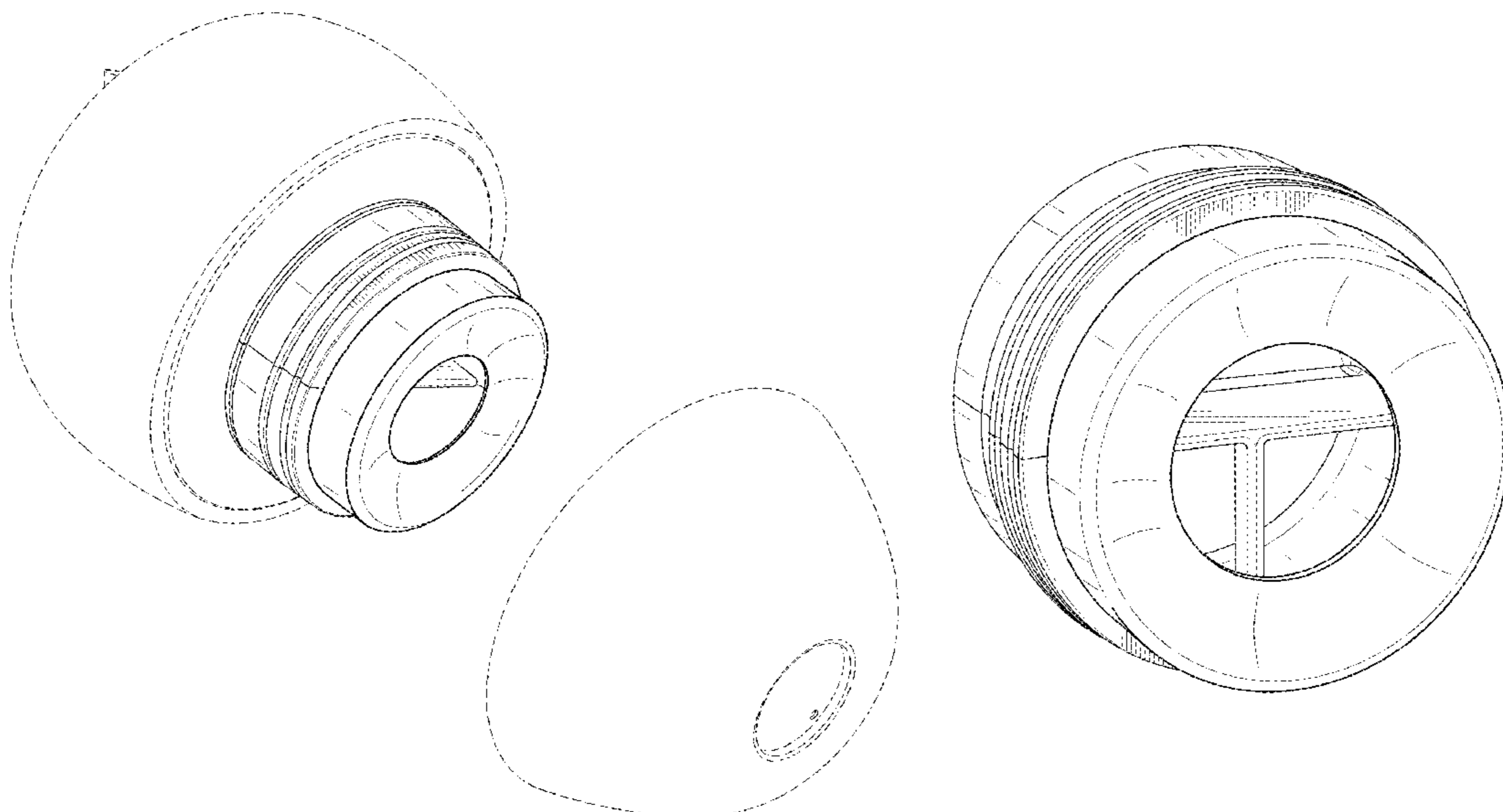
(57) **CLAIM**

The ornamental design for a lip shaping device, as shown and described.

DESCRIPTION

FIG. 1 is a perspective view of a lip shaping device, having a mark prevention element, incorporated into a lip pump.
FIG. 2 is a front perspective view of a first embodiment of the lip shaping device of FIG. 1, including the mark prevention element positioned on the front of the device.
FIG. 3 is a rear perspective view of the device shown in FIG. 2.
FIG. 4 is a front elevation view of the device of FIG. 2.
FIG. 5 is a rear elevation view of the device of FIG. 2.
FIG. 6 is a right side elevation view of the device of FIG. 2.
FIG. 7 is a top elevation view of the device of FIG. 2.
FIG. 8 is a left side elevation view of the device of FIG. 2.
FIG. 9 is a bottom elevation view of the device of FIG. 2.
FIG. 10 is a front perspective view of a second embodiment of the lip shaping device of FIG. 1, including the mark prevention element positioned on the front of the device.
FIG. 11 is a rear perspective view of the device shown in FIG. 10.
FIG. 12 is a front elevation view of the device of FIG. 10.
FIG. 13 is a rear elevation view of the device of FIG. 10.
FIG. 14 is a right side elevation view of the device of FIG. 10.
FIG. 15 is a top elevation view of the device of FIG. 10.
FIG. 16 is a left side elevation view of the device of FIG. 10; and,
FIG. 17 is a bottom elevation view of the device of FIG. 10.
The dash-dot-dash-dot type broken line define the boundaries of the claimed design. The dash-dash-dash-dash type broken line shown in the drawing views are included for the purpose of illustrating environmental elements only and form no part of the claimed design.

1 Claim, 9 Drawing Sheets



Related U.S. Application Data

continuation-in-part of application No. 29/450,311, filed on Mar. 15, 2013, now abandoned, which is a continuation-in-part of application No. 13/586,758, filed on Aug. 15, 2012, now Pat. No. 9,119,758.

(58) **Field of Classification Search**

CPC A61H 7/00; A61H 7/001; A61H 7/002; A61H 7/003; A61H 7/005; A61H 7/007; A61H 7/008; A61H 2007/009; A61H 9/005; A61H 9/0057; A61H 2009/0064; A61H 2205/00; A61H 2205/022; A61H 23/00

See application file for complete search history.

(56) **References Cited**

U.S. PATENT DOCUMENTS

D292,095 S	9/1987	Yoshiharu
D301,364 S	5/1989	Hunter
D333,784 S	3/1993	Goodman
D397,336 S	8/1998	Woodworth
D423,297 S	4/2000	Hansen
D431,097 S	9/2000	Tamez
D436,106 S	1/2001	Mohamed
D442,834 S	5/2001	Perez
6,401,289 B1	6/2002	Herbert
D467,501 S	12/2002	Tacchella

D478,785 S	8/2003	Rorke et al.	
D506,351 S	6/2005	Scholze et al.	
7,070,488 B2	7/2006	Suissa et al.	
D564,061 S	3/2008	Studer et al.	
D582,158 S	12/2008	Nathanson	
D610,667 S	2/2010	Espiritu, Jr.	
D612,939 S	3/2010	Boone et al.	
D631,870 S	2/2011	Nikiforov et al.	
D633,331 S	3/2011	Lion et al.	
D643,880 S	8/2011	Broen et al.	
D650,882 S	12/2011	wi toslawski	
D662,122 S	6/2012	Goodwin et al.	
D663,733 S	7/2012	Ewig	
D666,460 S	9/2012	Kolano	
8,419,662 B2	4/2013	Hobson	
D693,406 S	11/2013	Hay	
8,858,472 B2	10/2014	Gomez	
D768,305 S	10/2016	Ho	
9,549,868 B2	1/2017	Ho	
D791,958 S *	7/2017	Ho	D24/200
2010/0298745 A1	11/2010	Liu	
2015/0342825 A1	12/2015	Shabazian	
2017/0128316 A1 *	5/2017	Ho	A61H 7/008

OTHER PUBLICATIONS

Sony CP Apple Lip Balm, JC's Beauty Shop, Feb. 2010, <http://shopwithjc.blogspot.com/2010/02/sony-cp-apple-lip-balm-rp-125000.html>.

* cited by examiner

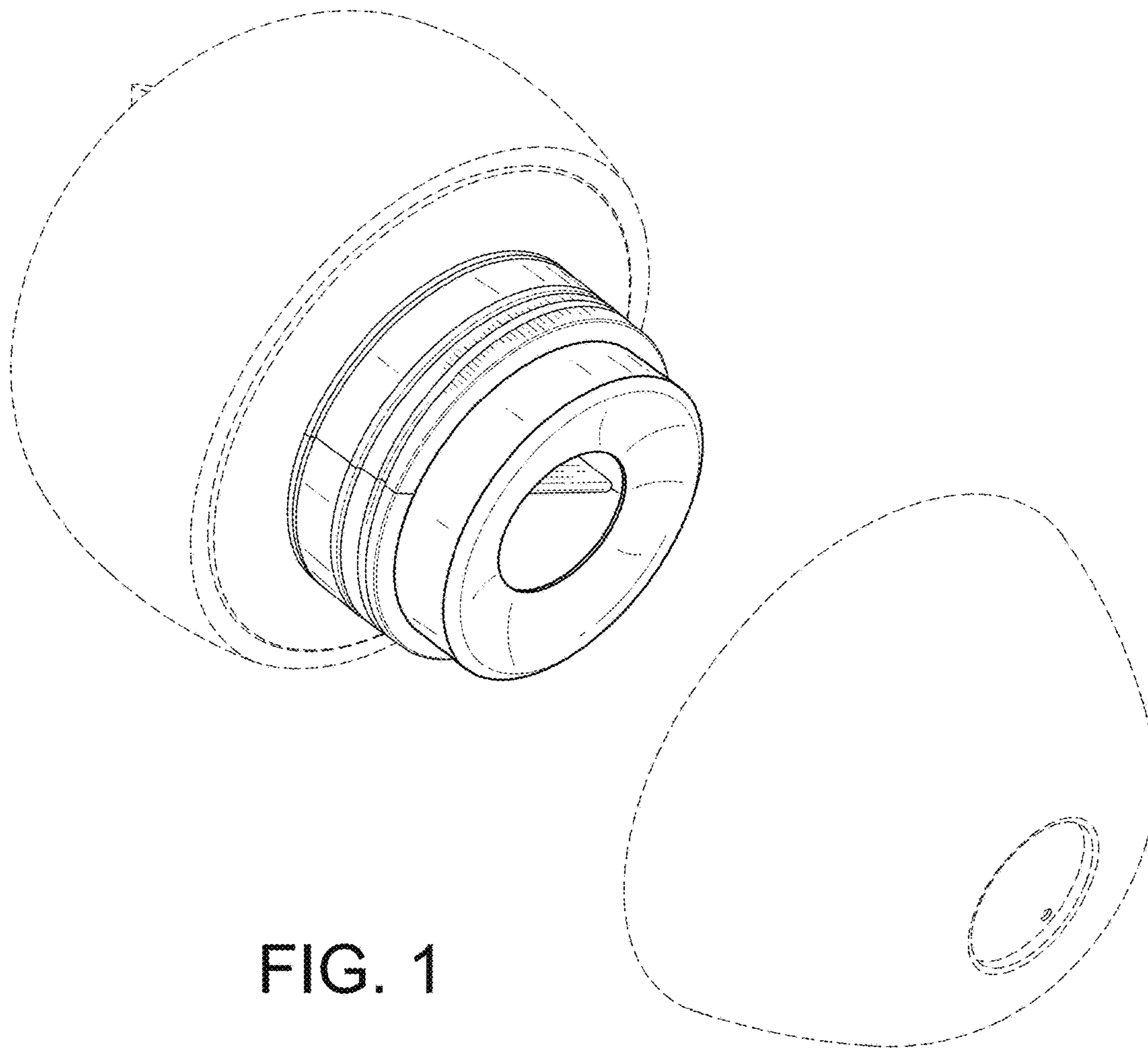


FIG. 1

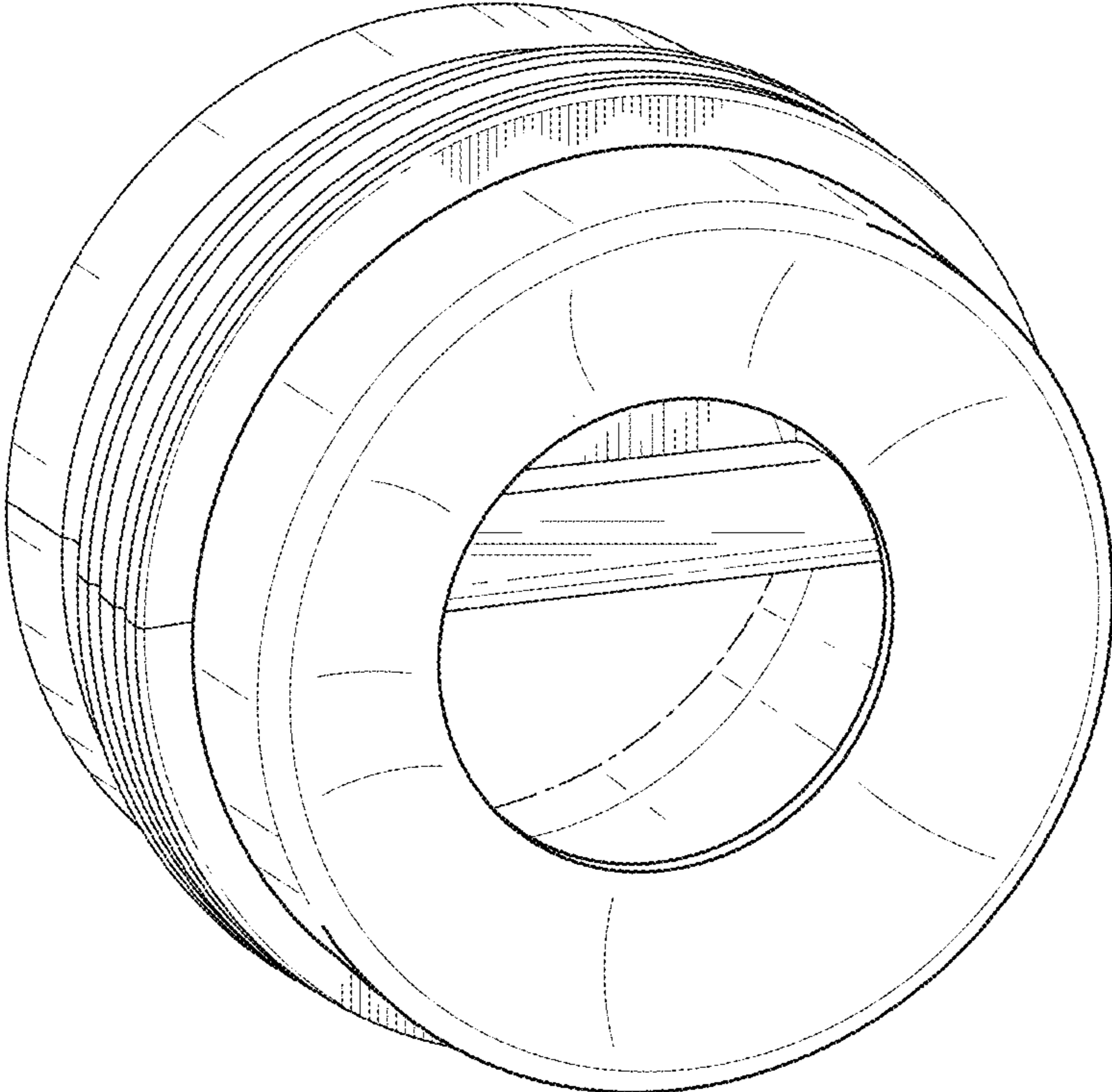


FIG. 2

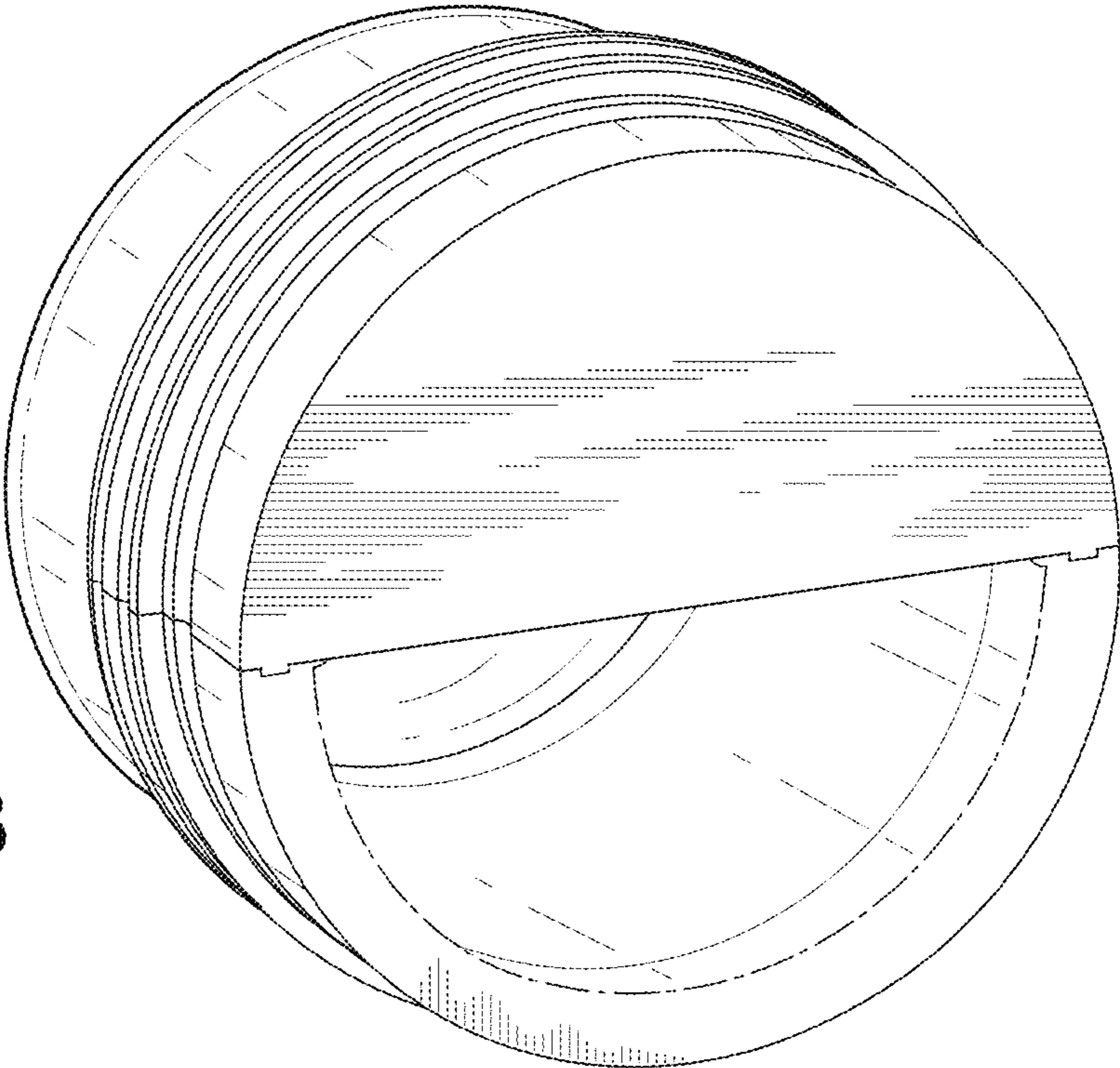


FIG. 3

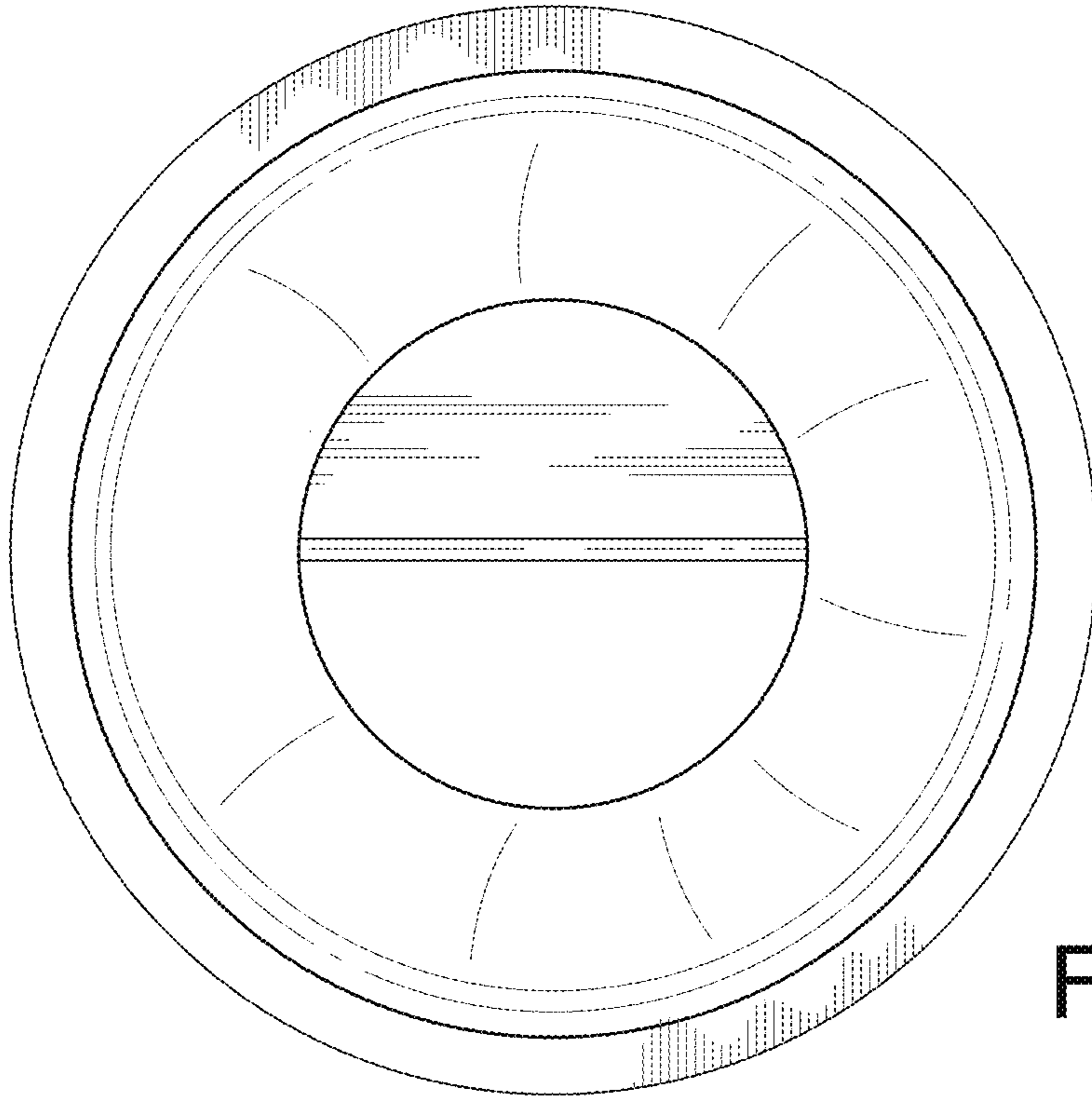


FIG. 4

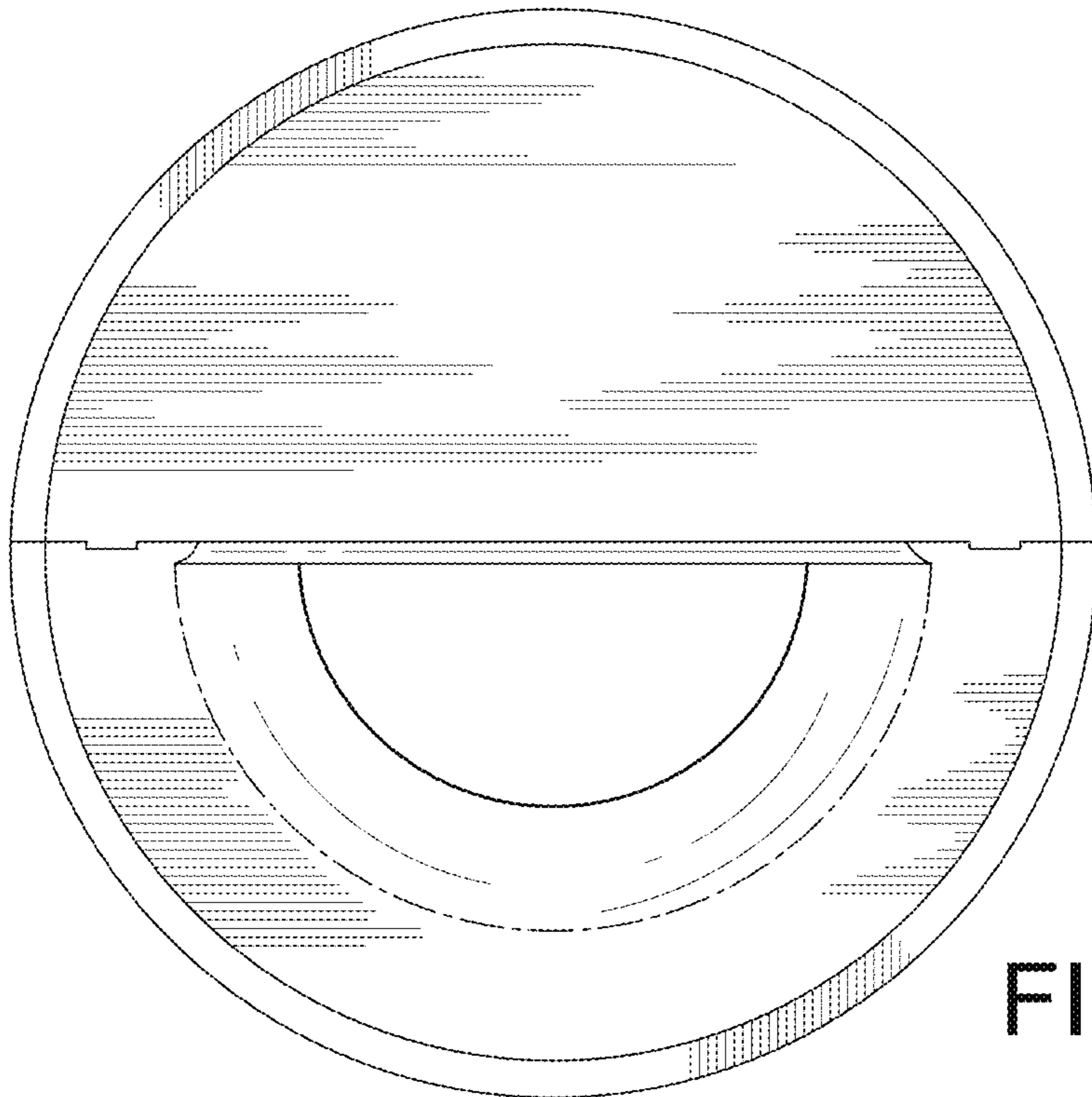


FIG. 5

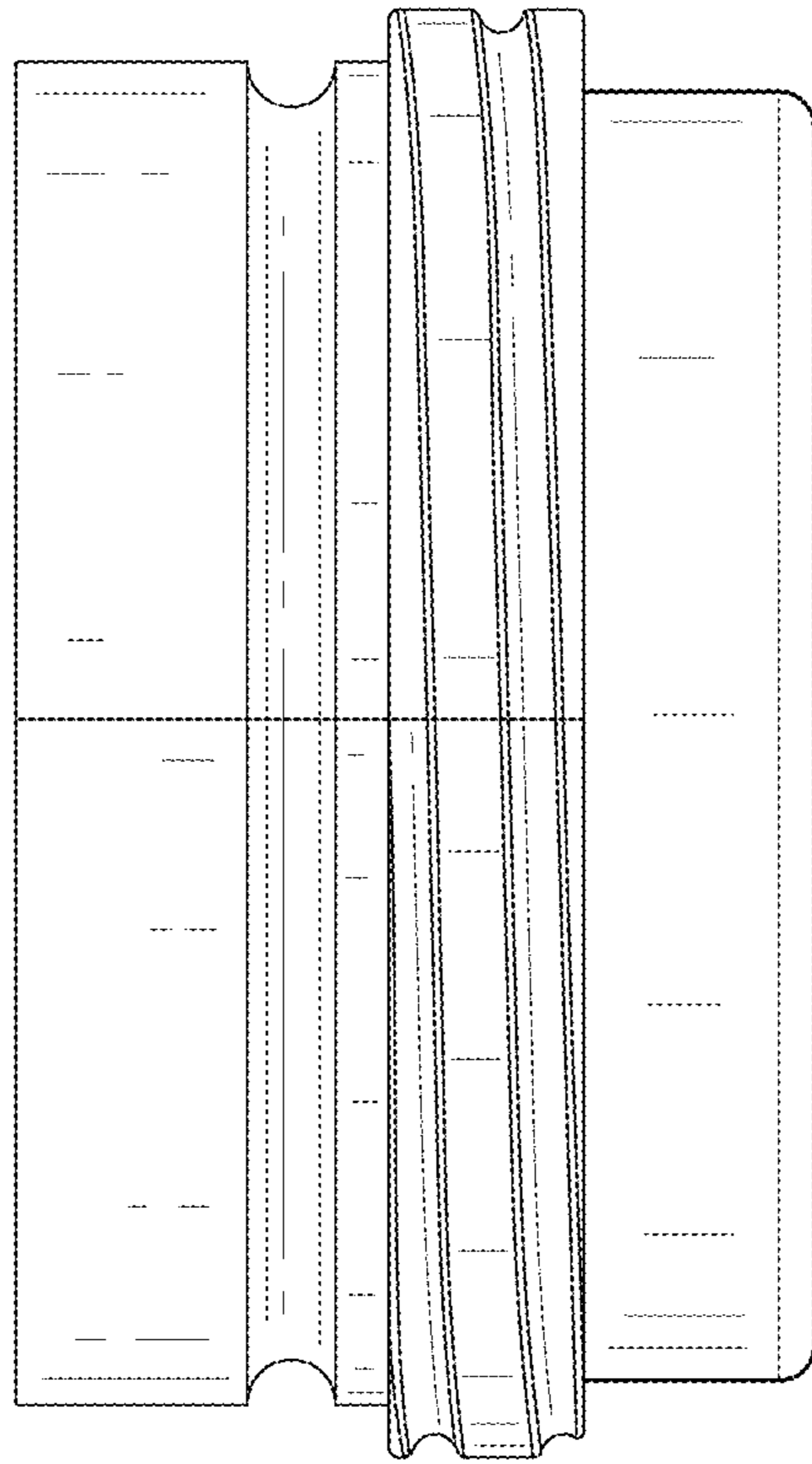


FIG. 6

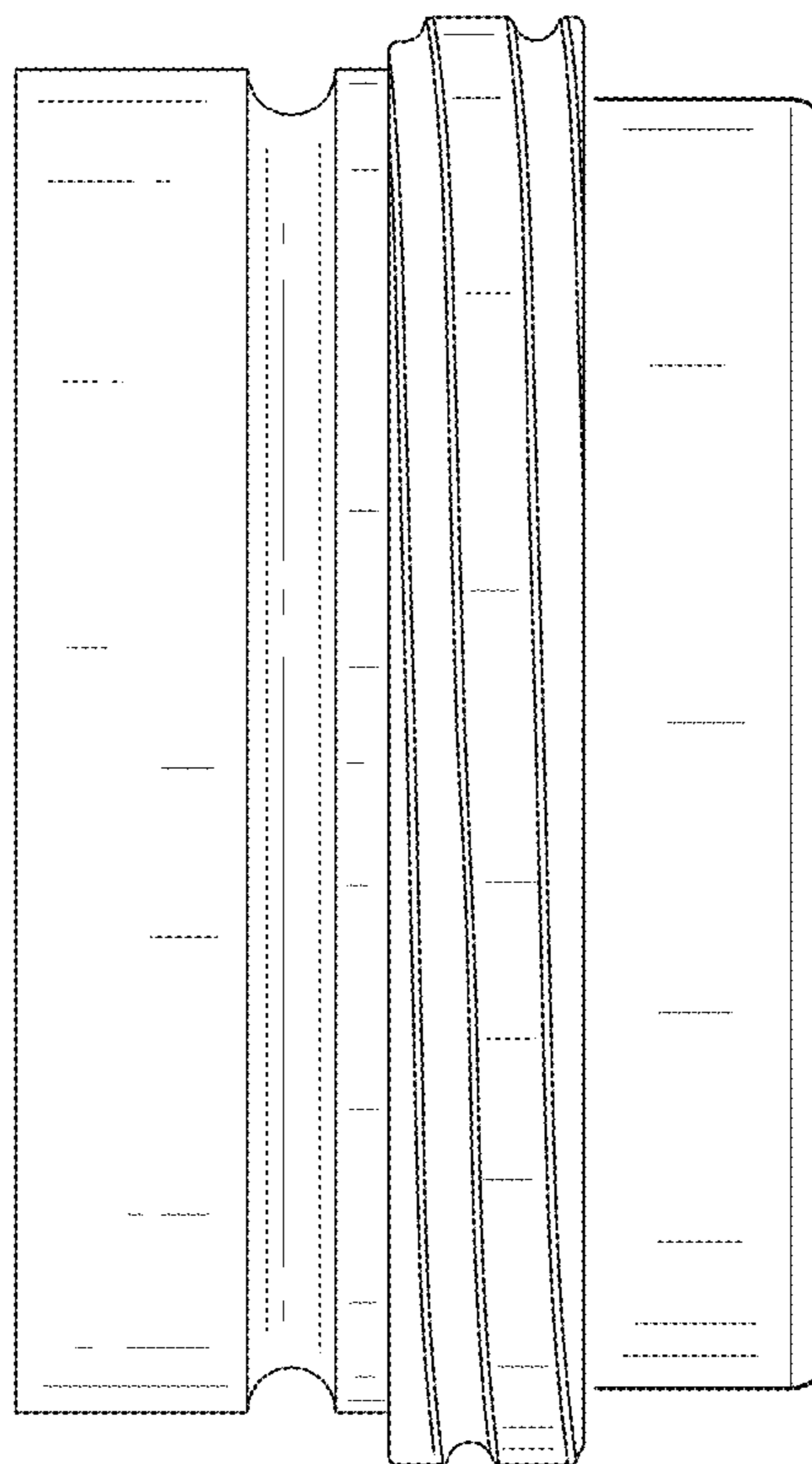


FIG. 7

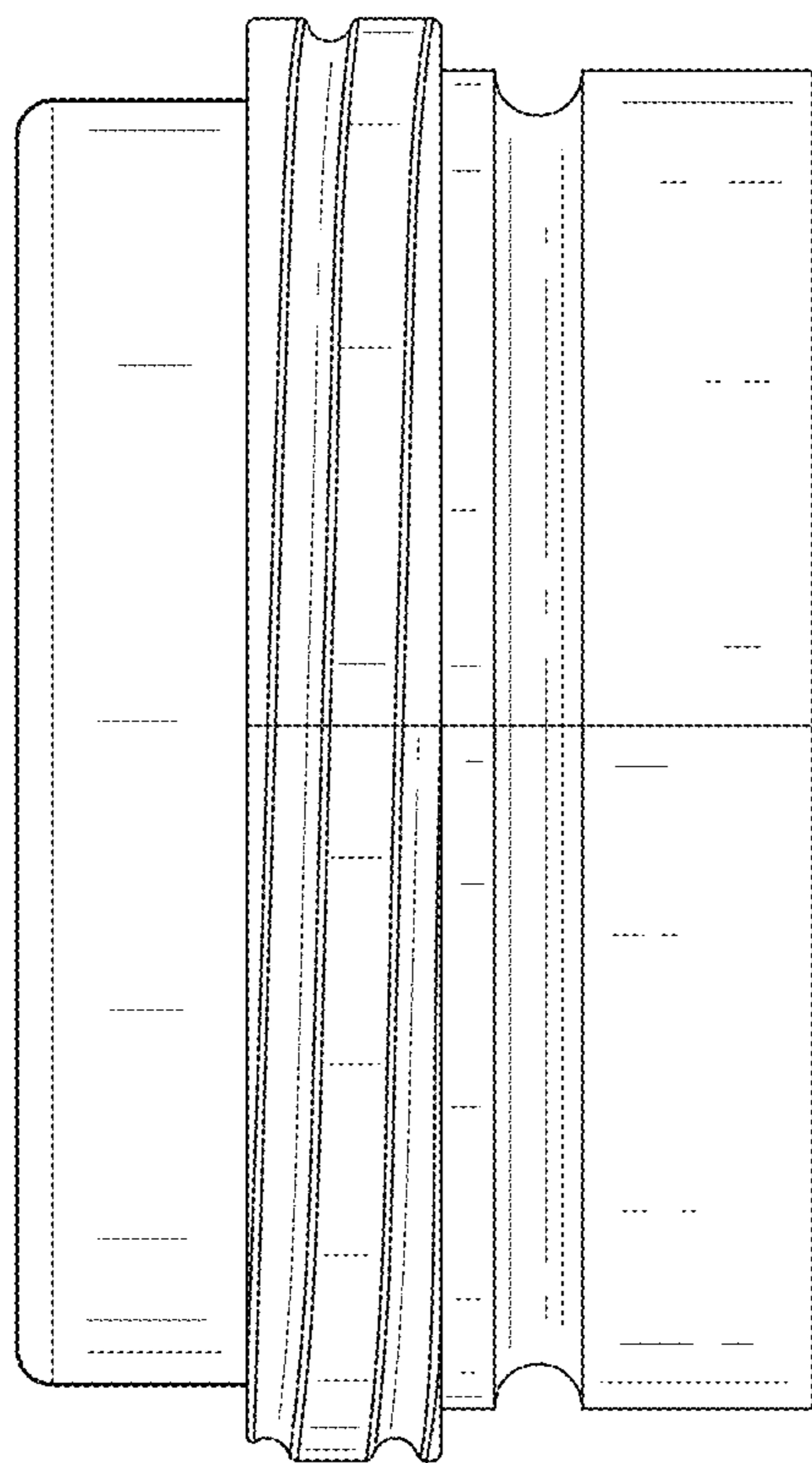


FIG. 8

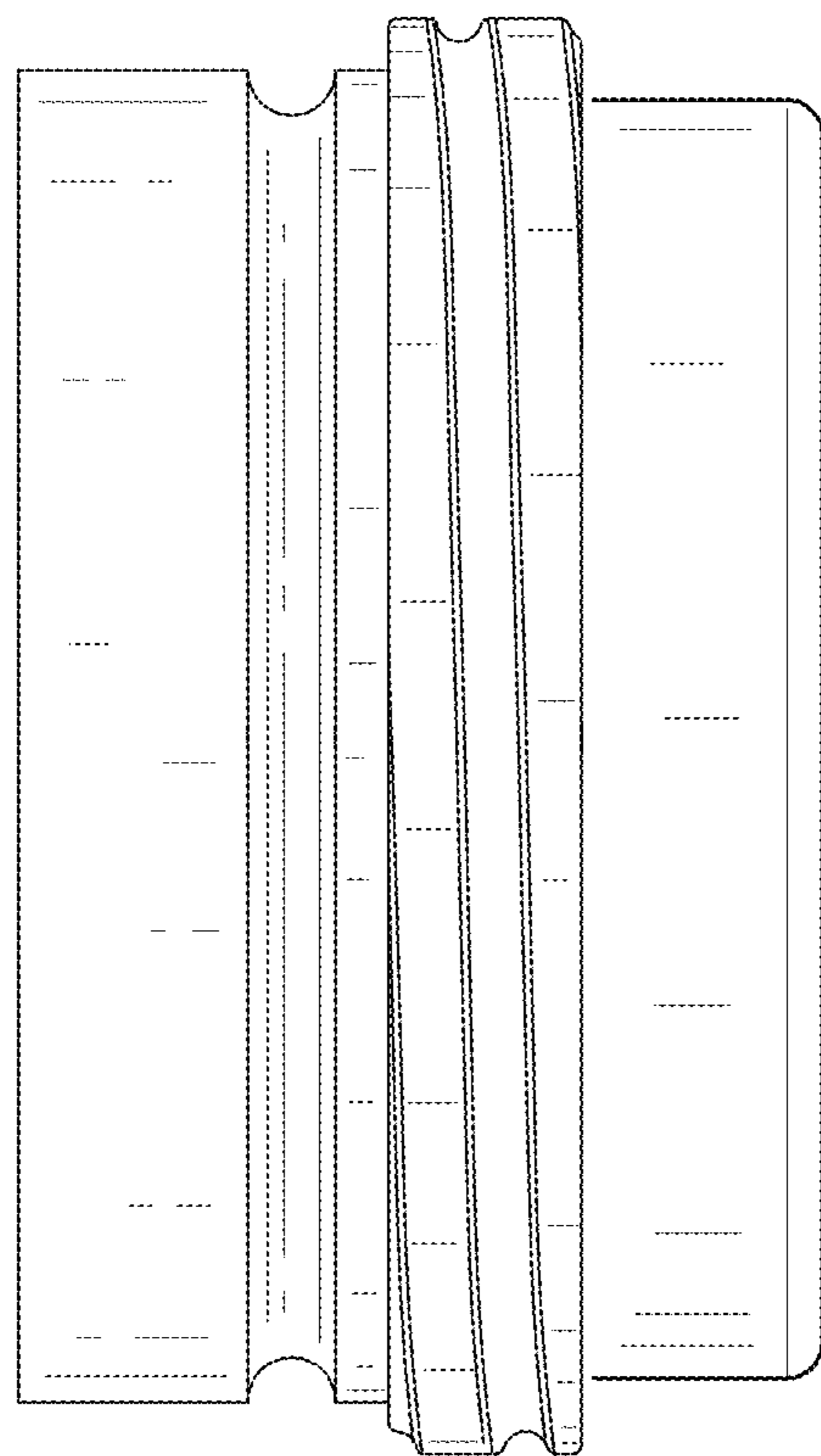


FIG. 9

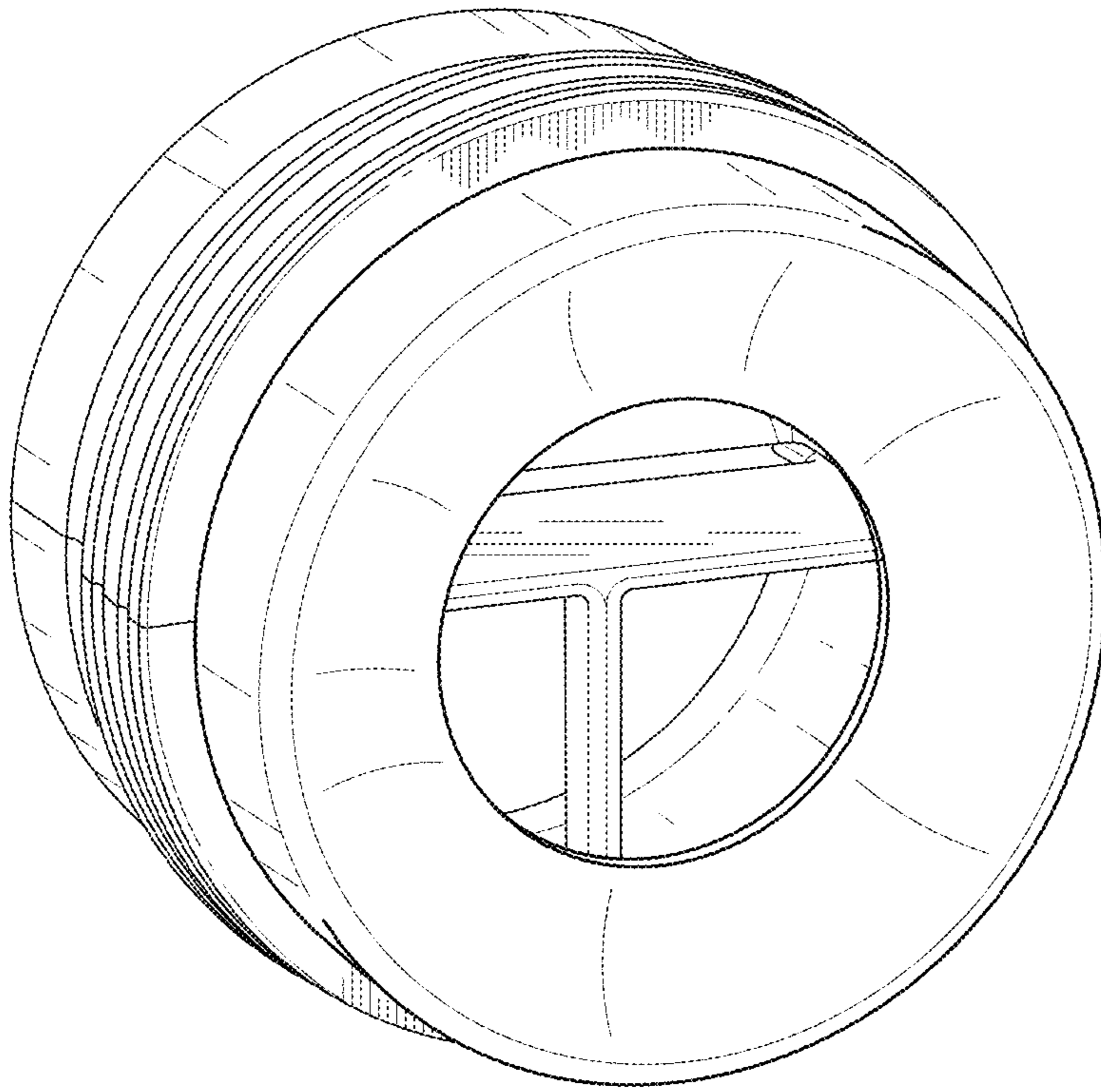


FIG. 10

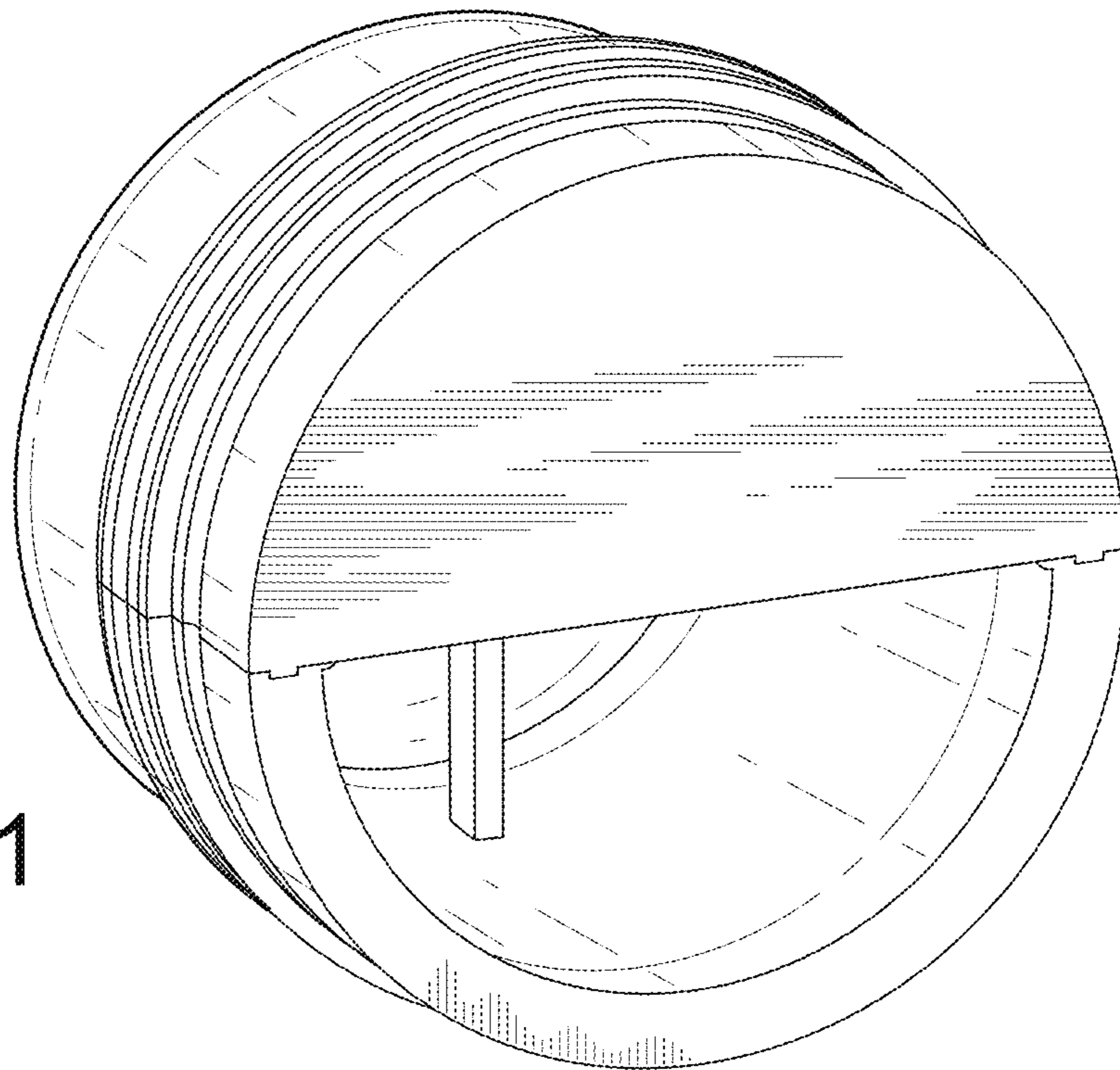


FIG. 11

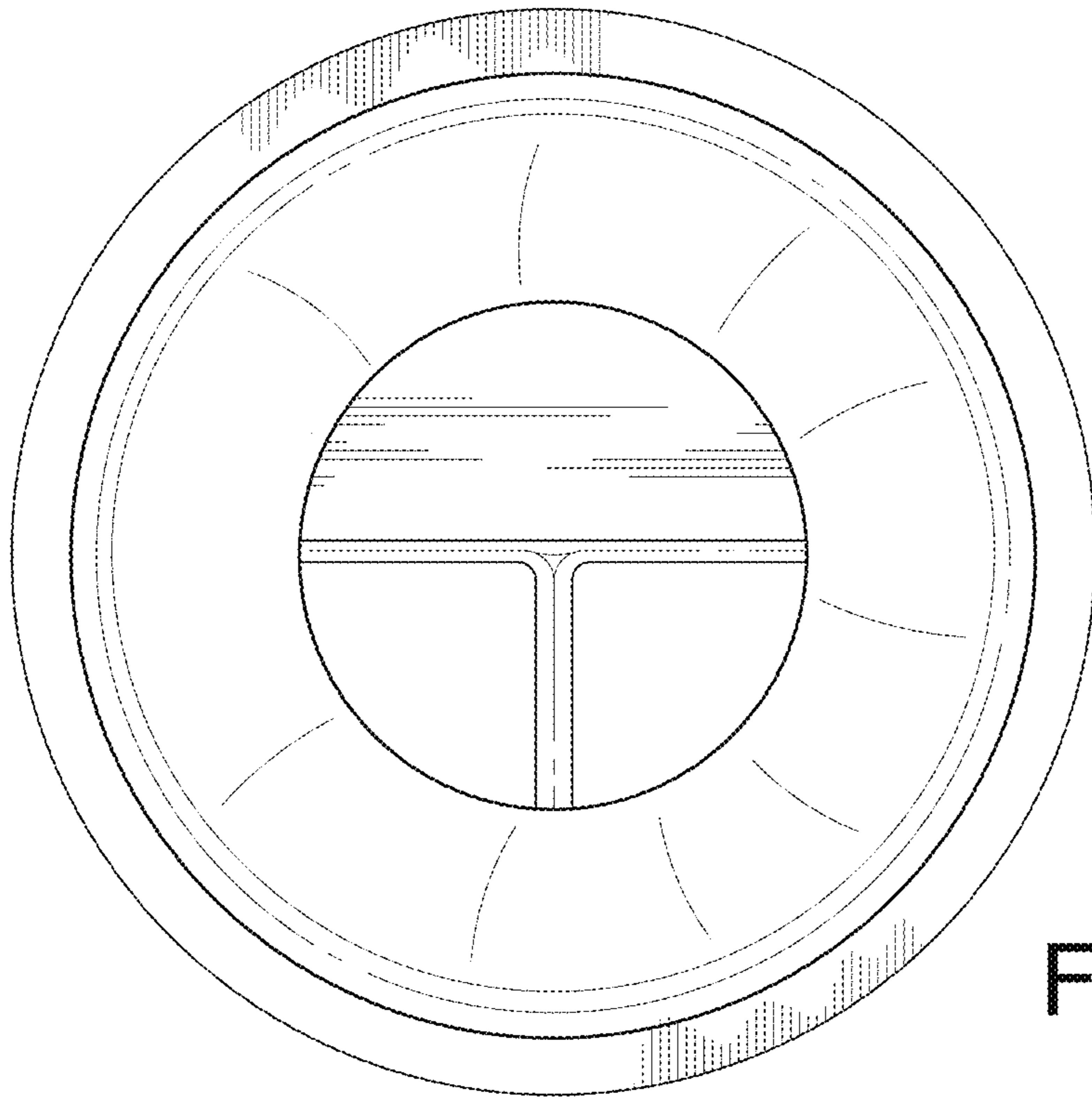


FIG. 12

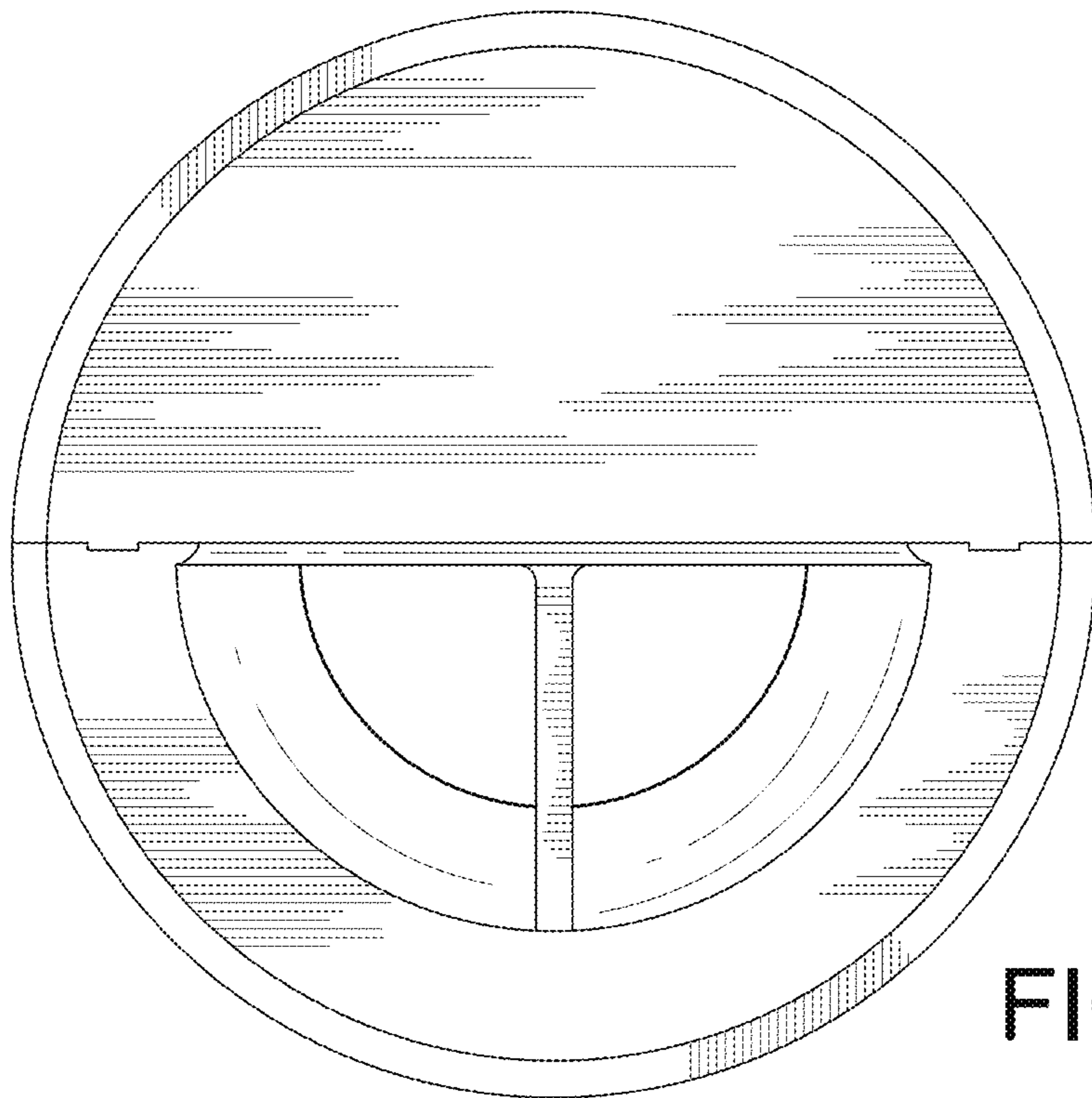


FIG. 13

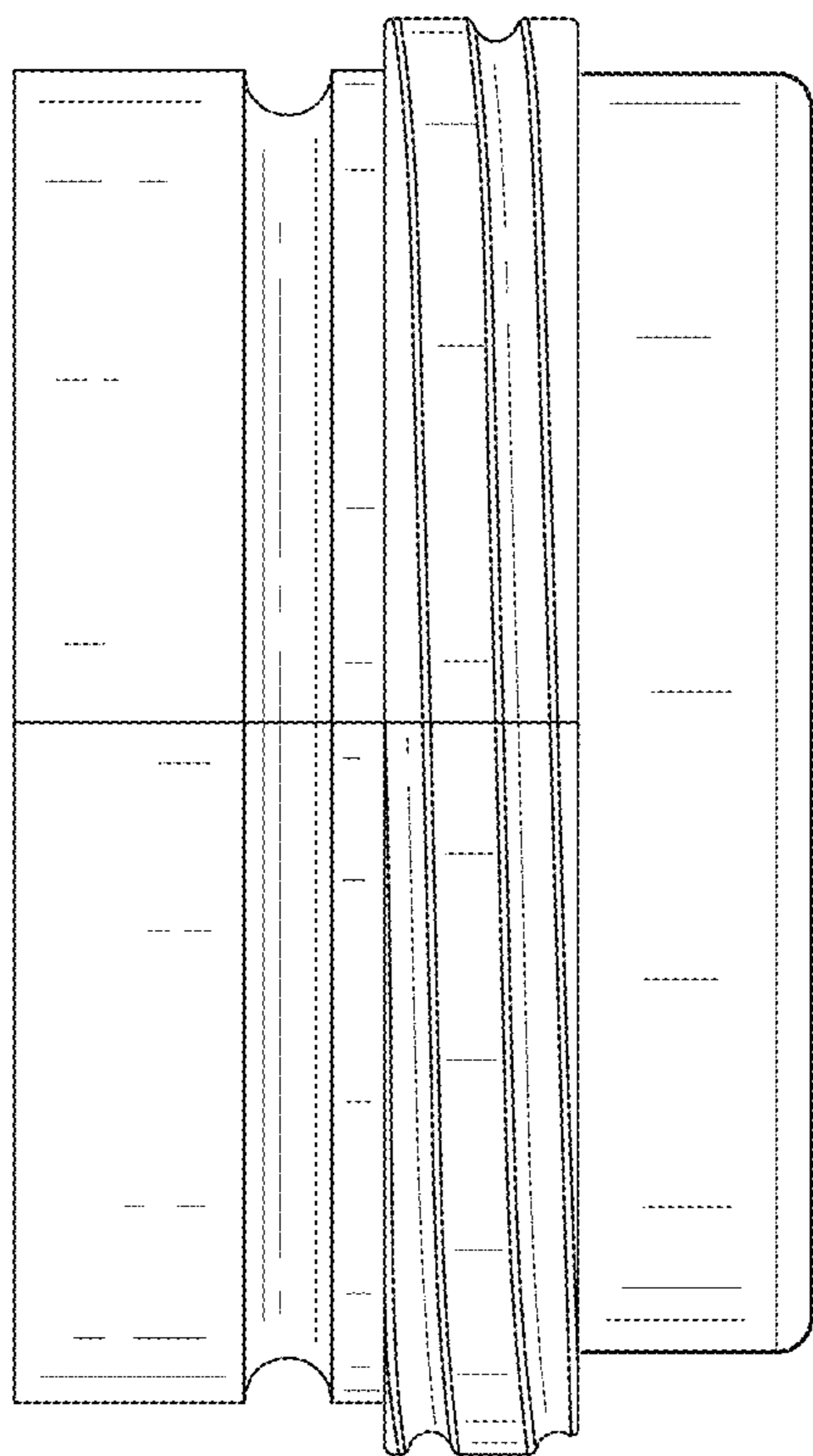


FIG. 14

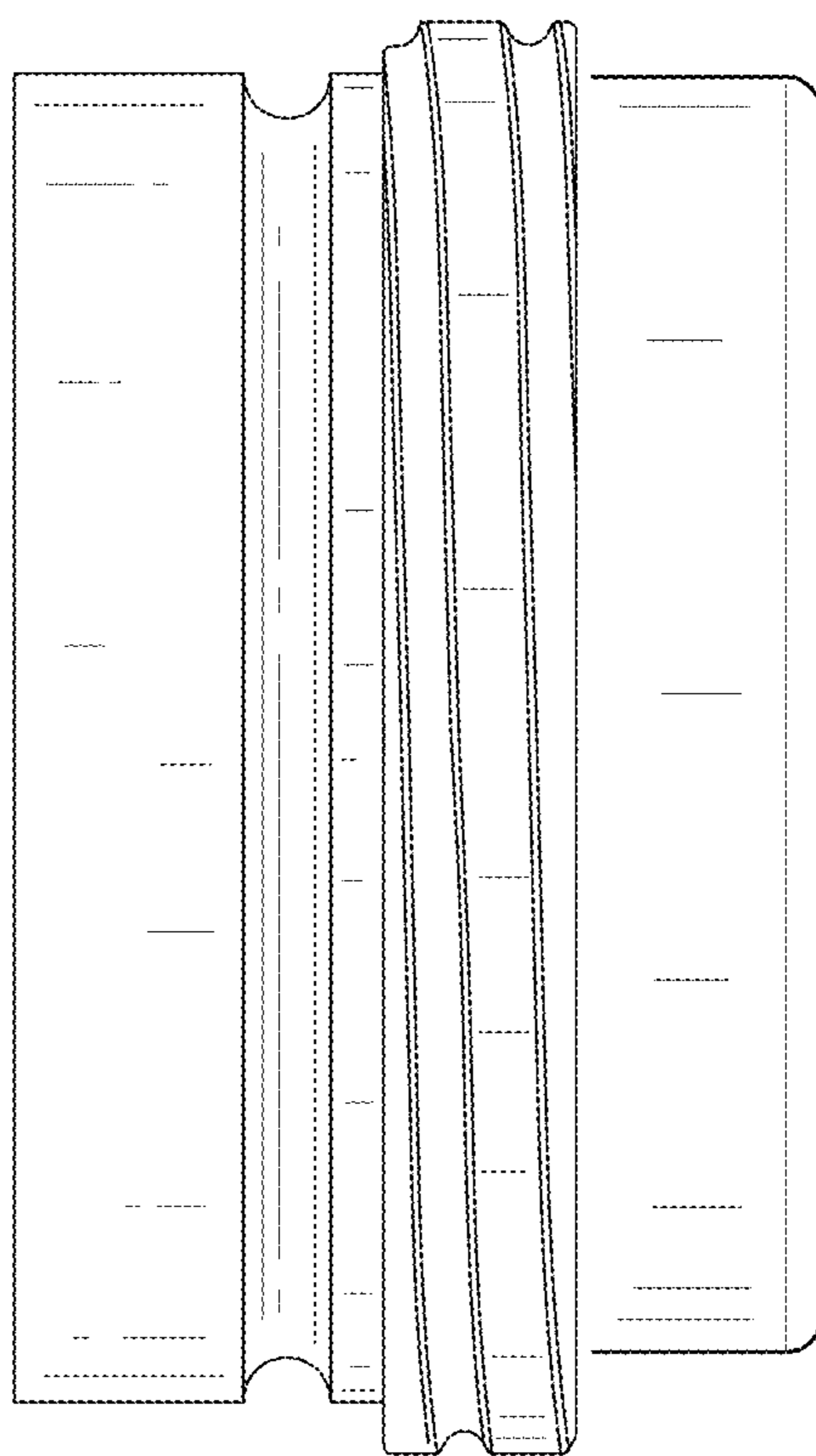


FIG. 15

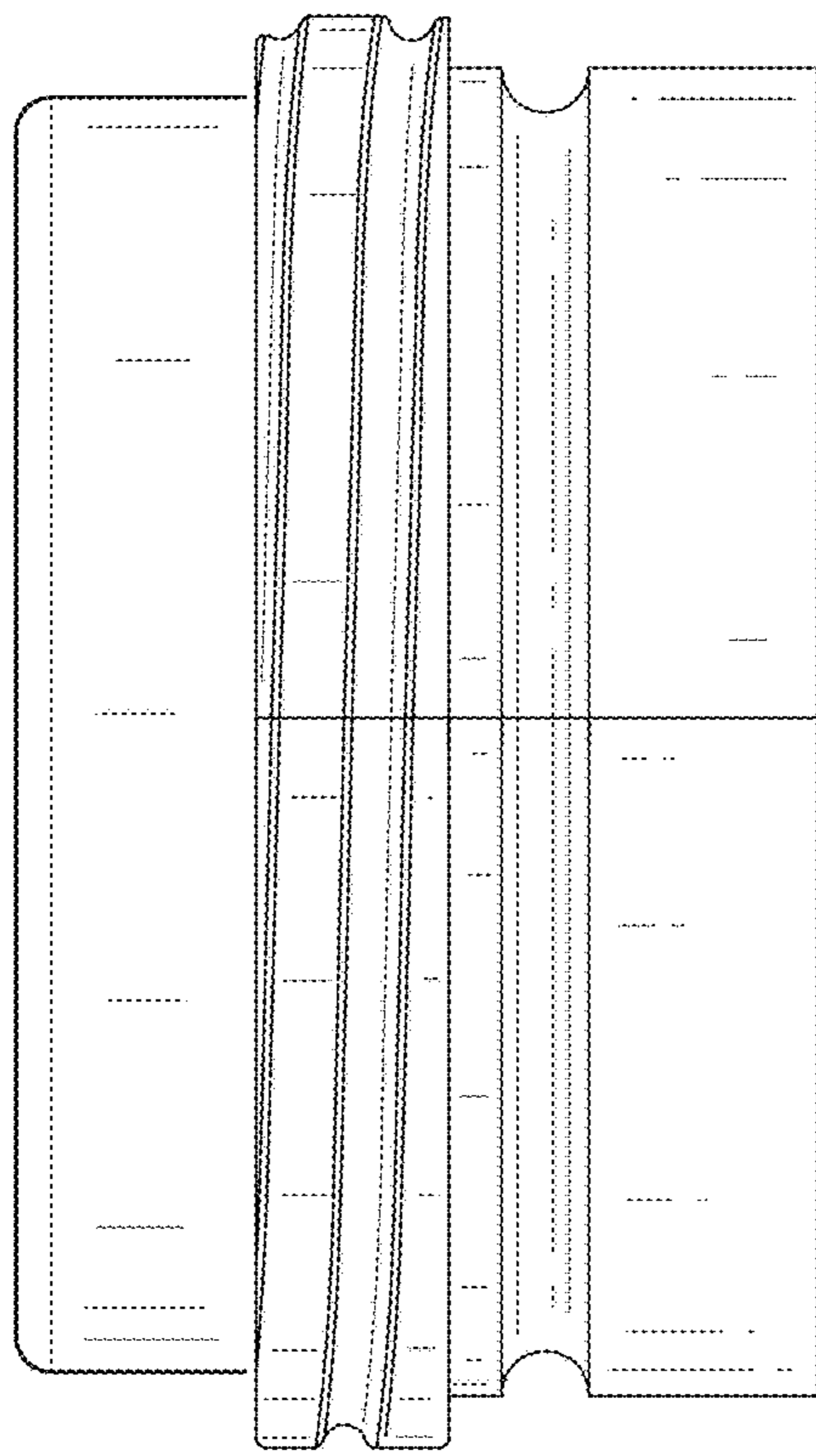


FIG. 16

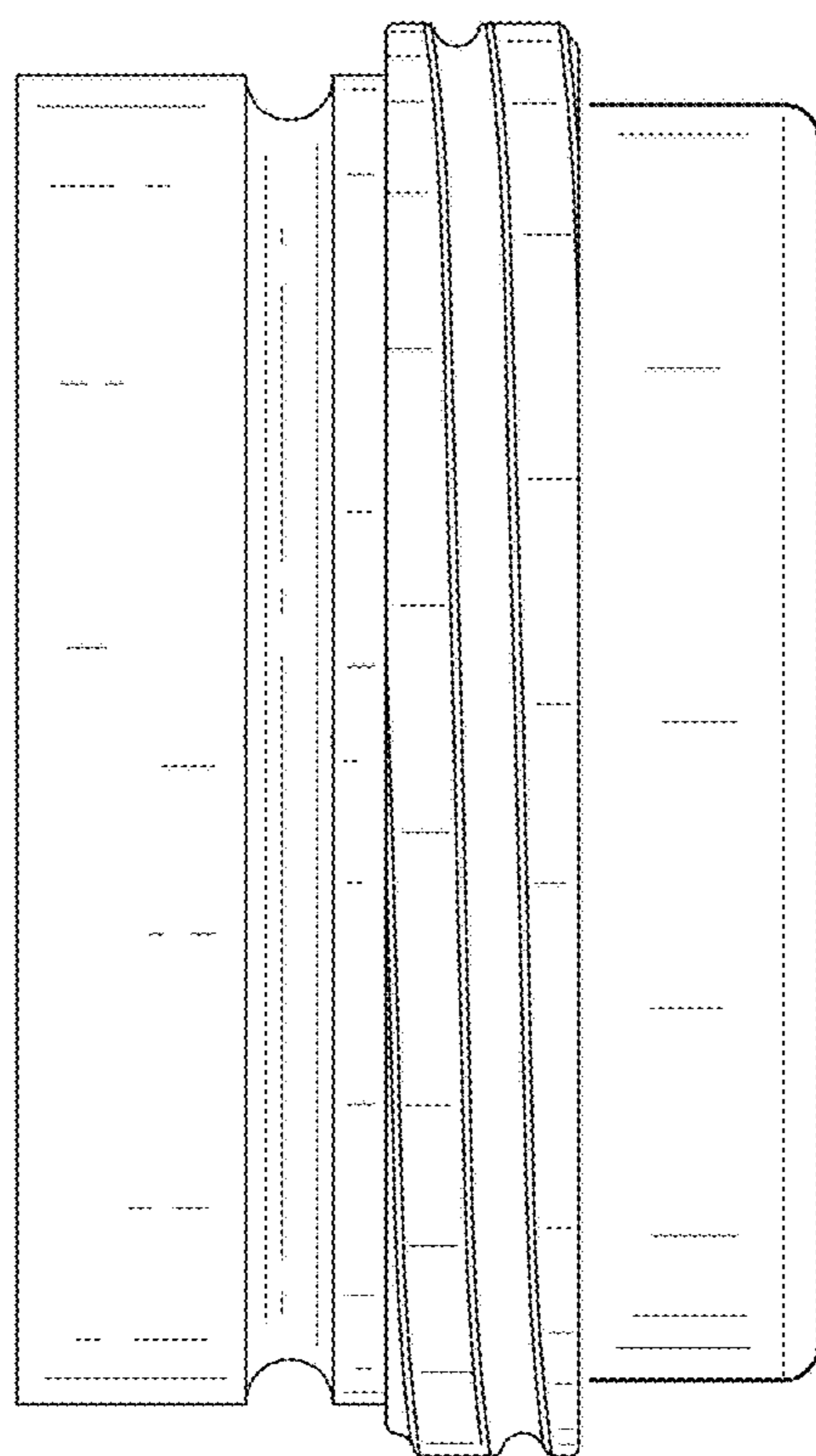


FIG. 17