



US00D807518S

(12) **United States Design Patent** (10) **Patent No.:** **US D807,518 S**
Gildersleeve (45) **Date of Patent:** **** Jan. 9, 2018**

(54) **PADDED TAPE**
(71) Applicant: **DJO, LLC**, Vista, CA (US)
(72) Inventor: **Richard Gildersleeve**, Carlsbad, CA (US)

4,733,659 A 3/1988 Edenbaum et al.
4,740,416 A 4/1988 DeCoste, Jr. et al.
4,926,503 A 5/1990 Wingo, Jr.
5,055,340 A 10/1991 Matsumura et al.
5,203,764 A 4/1993 Libbey
(Continued)

(73) Assignee: **DJO, LLC**, Vista, CA (US)
(**) Term: **15 Years**

FOREIGN PATENT DOCUMENTS

DE 19640263 4/1998
EP 1290956 3/2003
(Continued)

(21) Appl. No.: **29/545,454**

(22) Filed: **Nov. 12, 2015**

OTHER PUBLICATIONS

Sports Insight Magazine, <http://digital.turn-page.com/i/591531-sports-insight-november-2015>, A Formula4 Media Publication, Nov./Dec. 2015, pp. 36-37.
(Continued)

Related U.S. Application Data

(63) Continuation of application No. 14/484,202, filed on Sep. 11, 2014.

(51) **LOC (11) Cl.** **24-01**

(52) **U.S. Cl.**
USPC **D24/189**

(58) **Field of Classification Search**
USPC D24/188-192; D5/1-3, 39, 43, 58, 60; D19/67, 69

CPC A61L 15/26; A61L 15/58; A61L 15/60; A61F 13/0203; A61F 13/0223; A61F 2013/00846; A61F 13/022; A61F 13/0246; A61F 13/0276; A61F 2013/00578; A61F 2013/00587; A61F 2013/00604; A61F 2013/00804

See application file for complete search history.

Primary Examiner — George D Kirschbaum
Assistant Examiner — Jennifer Watkins
(74) *Attorney, Agent, or Firm* — Knobbe Martens Olson & Bear LLP

(57) **CLAIM**

The ornamental design for a padded tape, as shown and described.

(56) **References Cited**

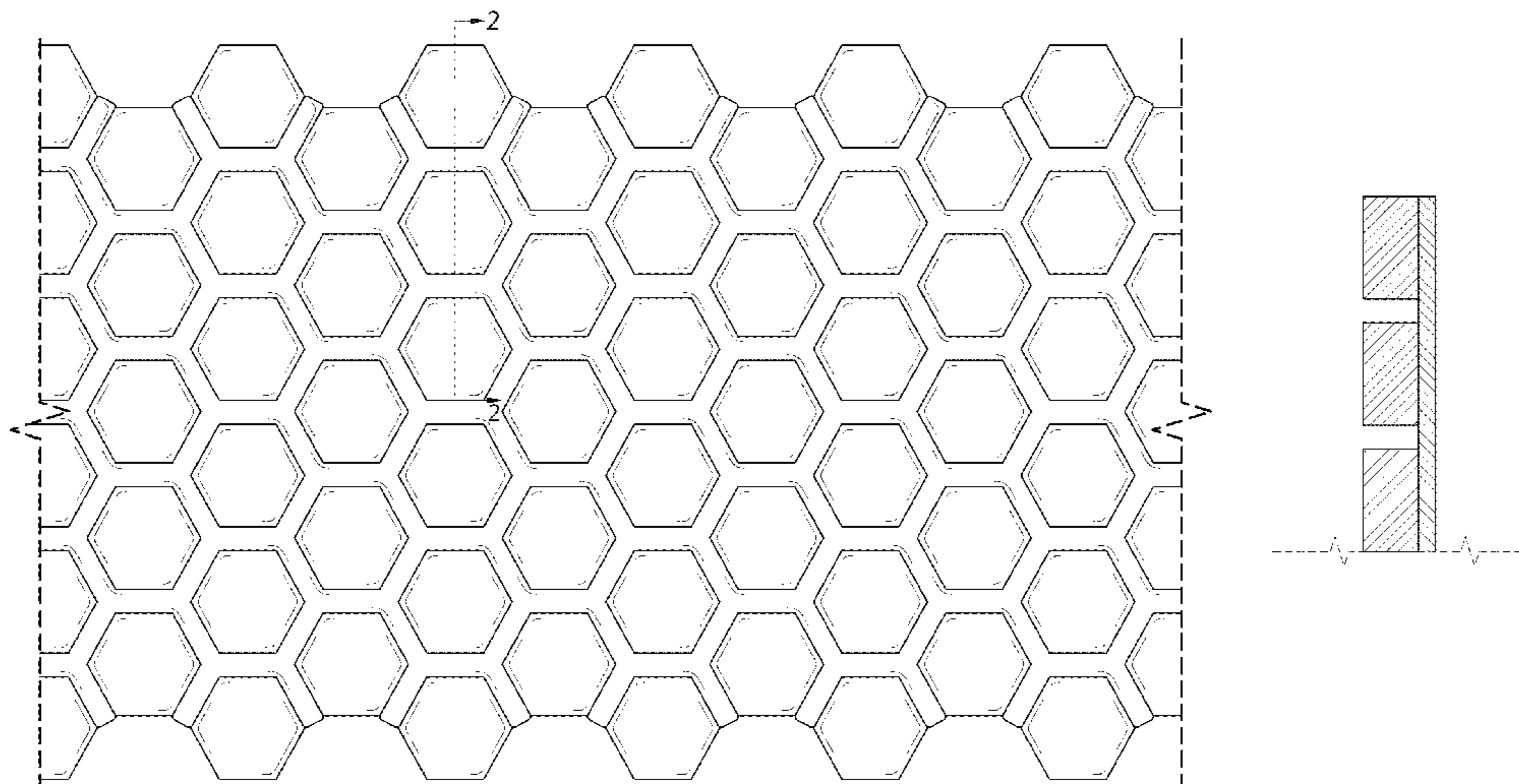
U.S. PATENT DOCUMENTS

D100,536 S * 7/1936 Beniston D5/47
3,404,406 A * 10/1968 Balliet B63C 11/02 2/2.16
3,457,919 A 7/1969 Harbard et al.
3,581,883 A 6/1971 Whitney
3,775,526 A * 11/1973 Gilmore B26D 3/006 264/156
4,505,976 A 3/1985 Doehnert

DESCRIPTION

FIG. 1 is a top view of a padded tape; and, FIG. 2 is a cross-sectional view of the padded tape between 2-2 in FIG. 1. The appearance of any portions of the article beyond the jagged lines forms no part of the claim. The lagged line in FIG. 2 is intended to illustrate that the design is understood to continue uniformly between the broken lines unto the length illustrated in FIG. 1.

1 Claim, 2 Drawing Sheets



(56)

References Cited

U.S. PATENT DOCUMENTS

5,560,569 A * 10/1996 Schmidt B64G 1/50
244/117 A

5,718,245 A 2/1998 Horn

5,732,412 A 3/1998 Holden

5,915,819 A * 6/1999 Gooding A42B 3/121
36/10

6,016,915 A 1/2000 Almond

6,035,452 A 3/2000 Braxton

D453,880 S * 2/2002 Cheynet D5/47

6,453,477 B1 9/2002 Bainbridge et al.

6,519,781 B1 2/2003 Berns

6,673,029 B1 * 1/2004 Watson A61F 13/04
602/6

6,743,325 B1 6/2004 Taylor

D497,437 S * 10/2004 Poliacek et al. D25/138

6,969,548 B1 * 11/2005 Goldfine A41D 31/0061
206/523

7,100,216 B2 9/2006 Matechen

7,208,216 B2 * 4/2007 Ackerman A47J 47/005
269/289 R

D609,922 S * 2/2010 Bridges D5/53

7,748,056 B2 7/2010 Mickle

D626,718 S 11/2010 Turner

D626,719 S 11/2010 Turner

D627,135 S 11/2010 Turner

D628,769 S 12/2010 Turner

D629,999 S 1/2011 Turner

D633,688 S 3/2011 Turner

7,992,226 B2 8/2011 Turner

D648,439 S * 11/2011 Greener D24/189

8,095,996 B2 1/2012 Turner

8,220,072 B2 7/2012 Dodd

8,281,414 B2 10/2012 Mickle

8,298,648 B2 10/2012 Turner

8,679,047 B2 3/2014 Holt et al.

D708,751 S * 7/2014 Chan D24/189

8,764,931 B2 * 7/2014 Turner A43B 13/187
156/261

8,808,489 B2 8/2014 Taylor

D726,326 S * 4/2015 Schrammel D24/189

D745,688 S * 12/2015 Chan D24/189

D745,689 S * 12/2015 Chan D24/189

D745,690 S * 12/2015 Devenish D24/189

D748,344 S * 1/2016 Snyder D29/121.2

9,358,256 B2 * 6/2016 Devenish A61F 13/00021

2002/0138030 A1 9/2002 Cavanagh

2004/0213979 A1 10/2004 Vito et al.

2004/0224151 A1 11/2004 Horacek

2005/0081277 A1 4/2005 Matechen

2005/0193365 A1 * 9/2005 Sahr G06F 17/30241
717/100

2005/0228331 A1 10/2005 Tseng et al.

2006/0059609 A1 3/2006 Moss

2006/0199456 A1 9/2006 Taylor

2007/0276304 A1 11/2007 Greenber et al.

2008/0113143 A1 5/2008 Taylor

2009/0270827 A1 10/2009 Gundersen

2011/0098620 A1 4/2011 Dever

2011/0225847 A1 9/2011 Buchanan

2012/0132355 A1 5/2012 Turner

2012/0136328 A1 * 5/2012 Johannison A61F 13/00
604/369

2012/0141750 A1 6/2012 Taylor

2012/0232448 A1 9/2012 Wust

2014/0079900 A1 3/2014 Ramirez

2014/0143927 A1 5/2014 Holt et al.

2015/0375220 A1 * 12/2015 Lukas B01J 19/32
423/237

FOREIGN PATENT DOCUMENTS

FR 2815519 4/2002

GB 2300808 11/1996

GB 2376170 12/2002

GB 2444915 9/2011

WO WO 2013/024300 2/2013

OTHER PUBLICATIONS

McDavid, Padded Athletic Garments, Hex/Pads, http://mcdavidusa.com/category/86_1/Default.aspx.

Mueller, Golfer's Grip Tape, Lightweight, Conforming Elastic Protective Tape, sold by Mfasco Health & Safety Co., <http://www.amazon.com/health-personal-care/dp/B000U0D4TE>.

Benedek et al., "Pressure-Sensitive Adhesives Technology", 1997, Marcel Dekker Inc., Chapter 7, pp. 262, 288.

Definition of "surface" from Merriam-Webster dictionary, retrieved on Mar. 20, 2016.

* cited by examiner

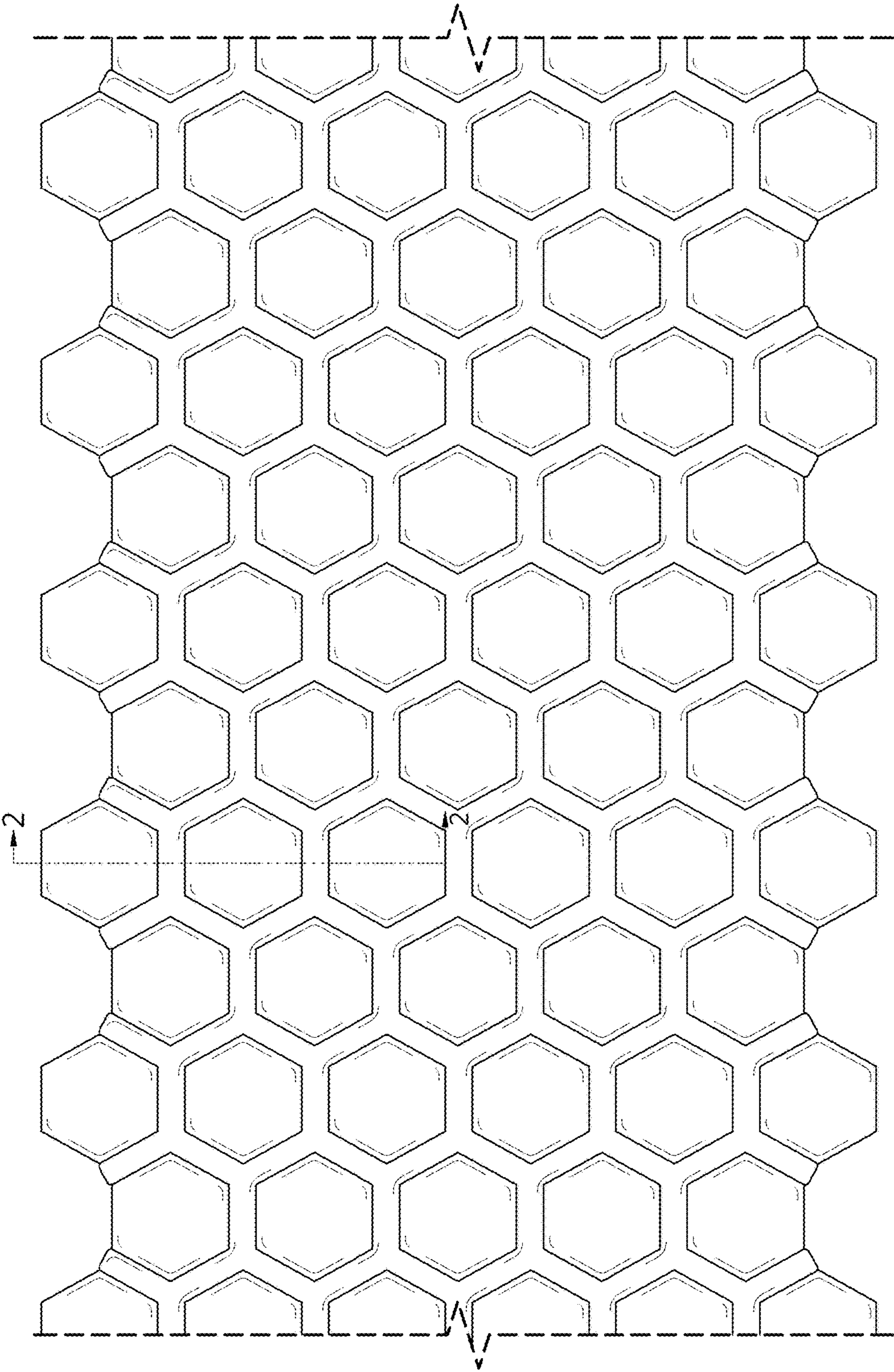


FIG. 1

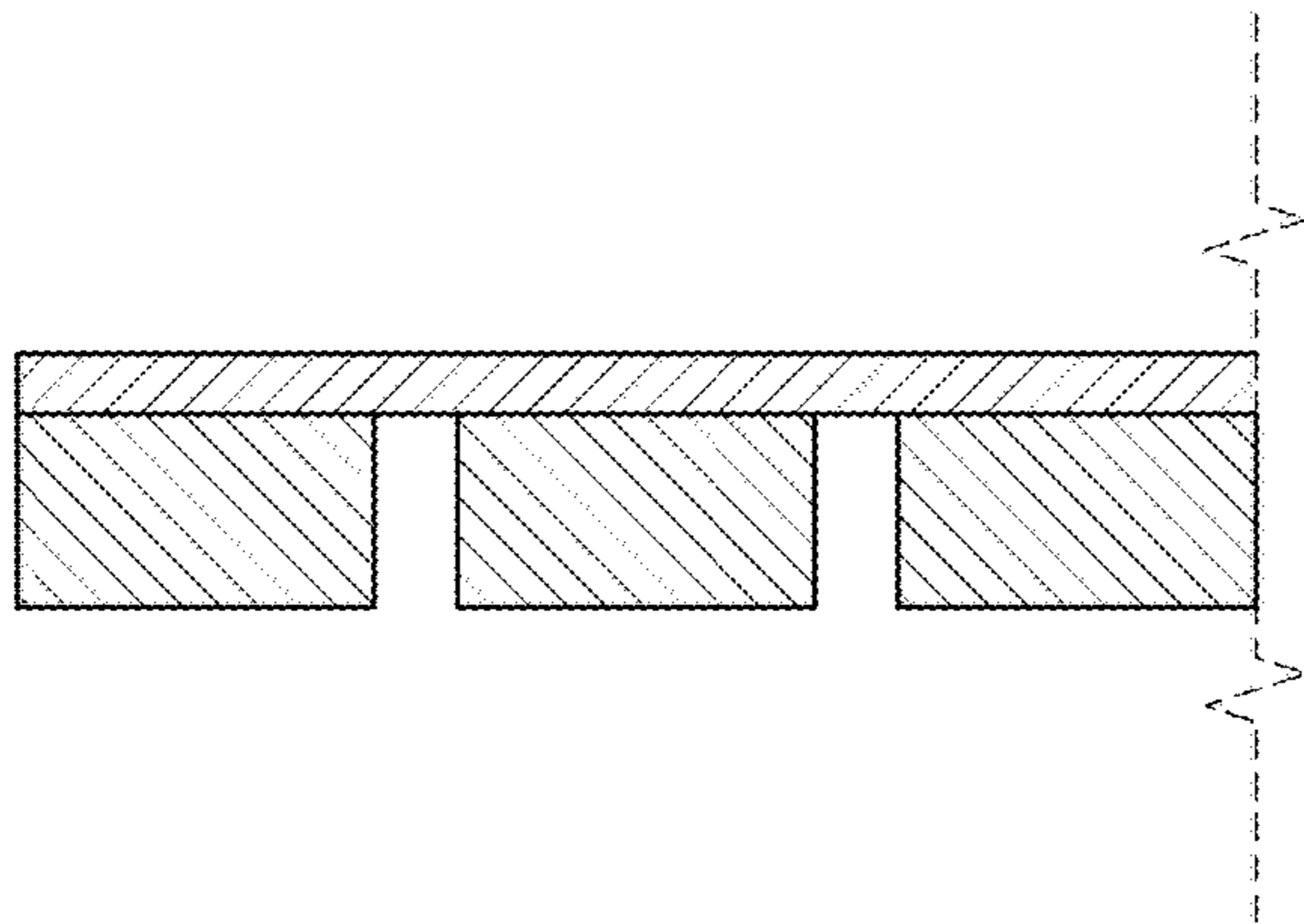


FIG. 2