



US00D807517S

(12) **United States Design Patent**
Farris et al.

(10) **Patent No.:** **US D807,517 S**
(45) **Date of Patent:** **** Jan. 9, 2018**

(54) **MOVEMENT ASSISTANCE DEVICE—FOOT ORTHOTIC COMPONENT**

(71) Applicant: **Parker-Hannifin Corporation**,
Cleveland, OH (US)

(72) Inventors: **Ryan Farris**, Hartville, OH (US); **Mike Clausen**, Turlock, CA (US); **Edgar Wilson**, Toledo, OH (US)

(73) Assignee: **Parker-Hannifin Corporation**,
Cleveland, OH (US)

(**) Term: **15 Years**

(21) Appl. No.: **29/584,622**

(22) Filed: **Nov. 16, 2016**

Related U.S. Application Data

(62) Division of application No. 29/486,534, filed on Mar. 31, 2014, now Pat. No. Des. 774,198.

(51) **LOC (11) Cl.** **24-04**

(52) **U.S. Cl.**
USPC **D24/188**

(58) **Field of Classification Search**
USPC D24/183, 188, 190
CPC A61H 33/0087; A61H 33/0095; A61H 2033/0016; A63B 22/02
See application file for complete search history.

(56) **References Cited**

U.S. PATENT DOCUMENTS

3,491,385 A	1/1970	Werner	
3,672,361 A	6/1972	Fourneron	
4,102,336 A	7/1978	Wiener	
4,817,588 A *	4/1989	Bledsoe A61F 5/0125 602/16
4,915,101 A	4/1990	Cuccia	

5,282,834 A	2/1994	Remy	
D346,028 S *	4/1994	Lengyel D24/190
5,472,401 A	12/1995	Rouillard	
5,980,435 A *	11/1999	Joutras A43B 1/0054 482/114
6,331,152 B1 *	12/2001	Holle A47C 3/02 434/55
6,428,496 B1	8/2002	Sargent	
6,436,065 B1 *	8/2002	Mitchell A61F 5/01 2/44
6,976,944 B1	12/2005	Damasio	
D530,426 S *	10/2006	Muehlenberend D24/190
7,144,353 B2	12/2006	Sjuragari	
D546,955 S *	7/2007	Bauerfiend D24/190

(Continued)

Primary Examiner — Michael A. Pratt

Assistant Examiner — Michelle E Wilson

(74) *Attorney, Agent, or Firm* — Renner, Otto, Boisselle & Sklar, LLP

(57) **CLAIM**

The ornamental design for a movement assistance device-foot orthotic component, as shown and described.

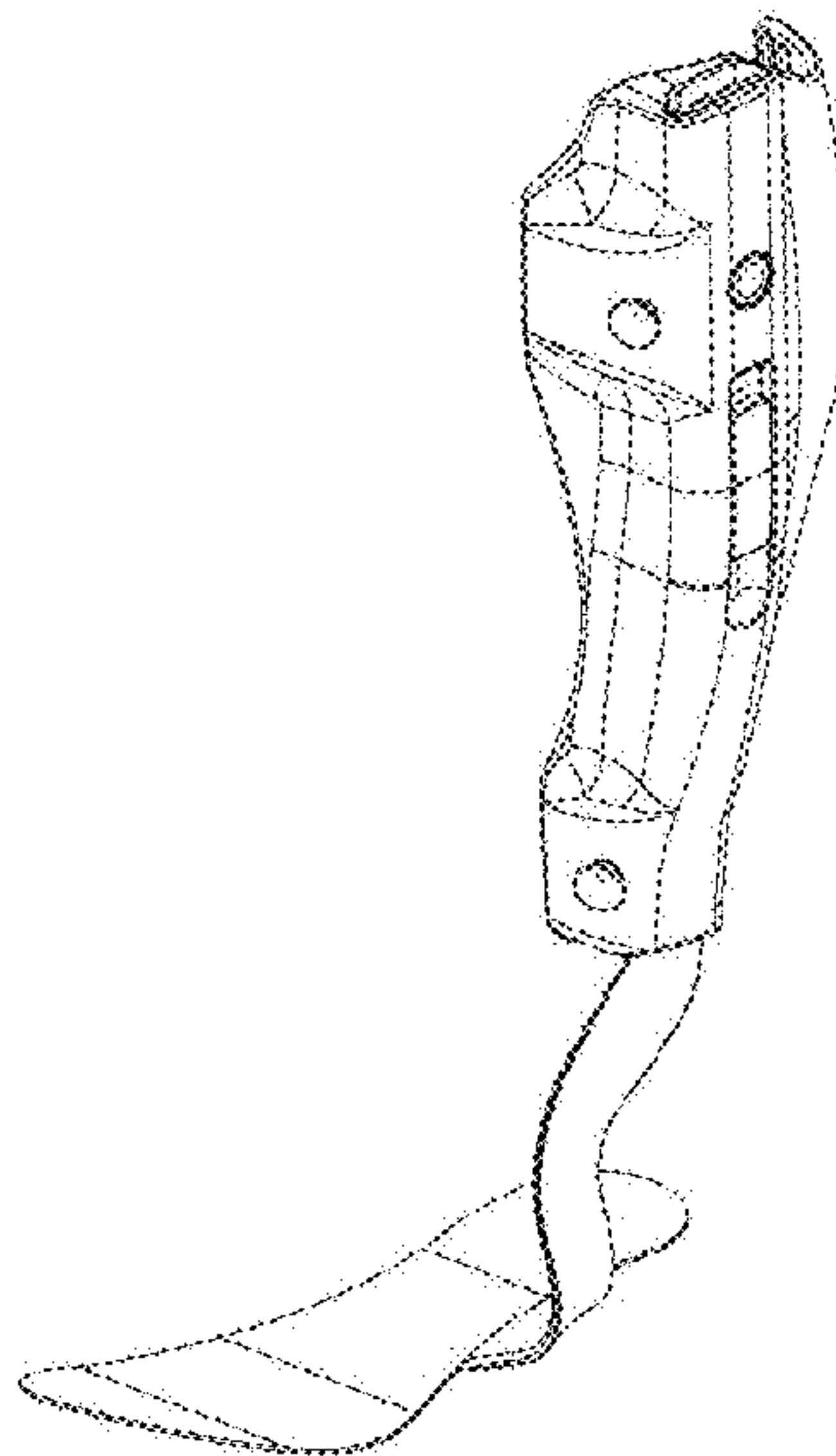
DESCRIPTION

FIG. 1 is a front perspective view of a movement assistance device-foot orthotic component showing my design.
FIG. 2 is rear side view thereof.
FIG. 3 is left side view thereof.
FIG. 4 is a front view thereof.
FIG. 5 is a right side view thereof.
FIG. 6 is a top view thereof; and,
FIG. 7 is a bottom view thereof.

It is understood that the appearance of any part of the article not shown in the drawing or described in the specification forms no part of the claimed design.

The broken lines shown in the figures represent portions of the movement assistance device-foot orthotic that form no part of the claimed design.

1 Claim, 4 Drawing Sheets



(56)

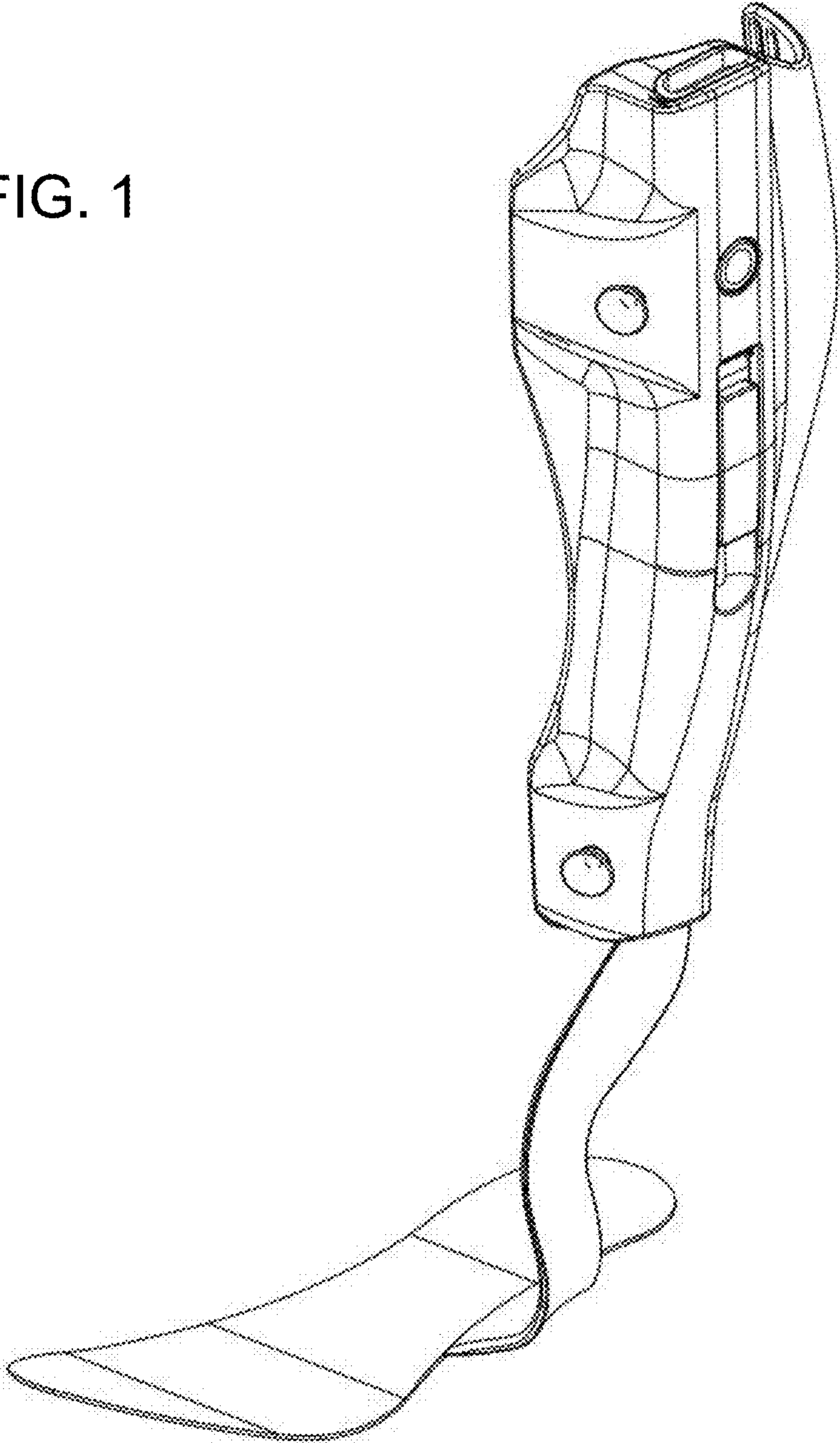
References Cited

U.S. PATENT DOCUMENTS

8,161,588	B1 *	4/2012	Anson	A47G 9/109 5/630	2008/0188784	A1 *	8/2008	Ceriani	A61F 5/0123 602/16
D660,971	S *	5/2012	Franke	D24/192	2010/0262052	A1 *	10/2010	Lunau	A61B 5/6828 602/5
8,301,575	B2 *	10/2012	Bonnet	A61B 5/1116 600/545	2011/0009786	A1 *	1/2011	Chan	A61F 5/0125 602/16
D693,930	S *	11/2013	Manalo	D24/190	2011/0082402	A1 *	4/2011	Oddou	A61F 5/0125 602/16
D696,407	S *	12/2013	Herman	D24/188	2011/0282255	A1 *	11/2011	Nace	A61F 5/0123 602/16
D716,459	S *	10/2014	Liran	D24/188	2013/0006159	A1 *	1/2013	Nakashima	A61H 1/024 602/23
D726,925	S *	4/2015	Fraser	D24/190	2013/0012852	A1 *	1/2013	Imaida	A61F 5/01 602/16
D731,663	S *	6/2015	Jung	D24/190	2014/0339391	A1 *	11/2014	Hsu	A61G 5/046 248/371
2002/0188238	A1 *	12/2002	Townsend	A61F 5/0125 602/26	2015/0099970	A1 *	4/2015	Schluesselberger .	B25J 17/0208 600/437
2006/0052732	A1 *	3/2006	Shimada	A61F 5/0102 602/5					
2006/0155232	A1 *	7/2006	Ceriani	A61F 5/0125 602/23					

* cited by examiner

FIG. 1



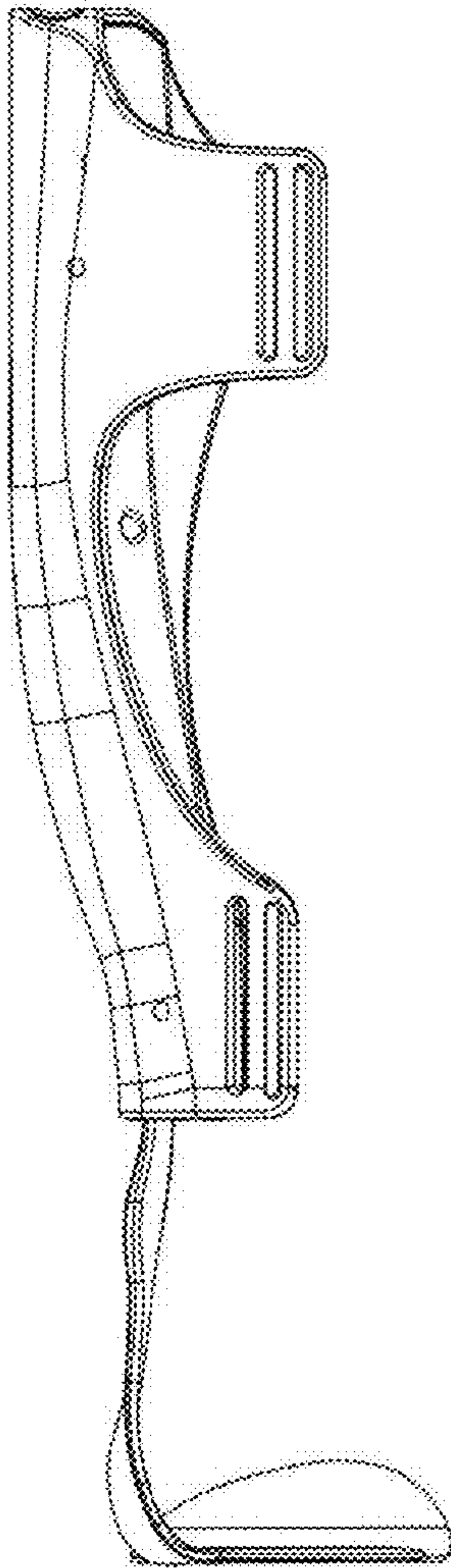


FIG. 2

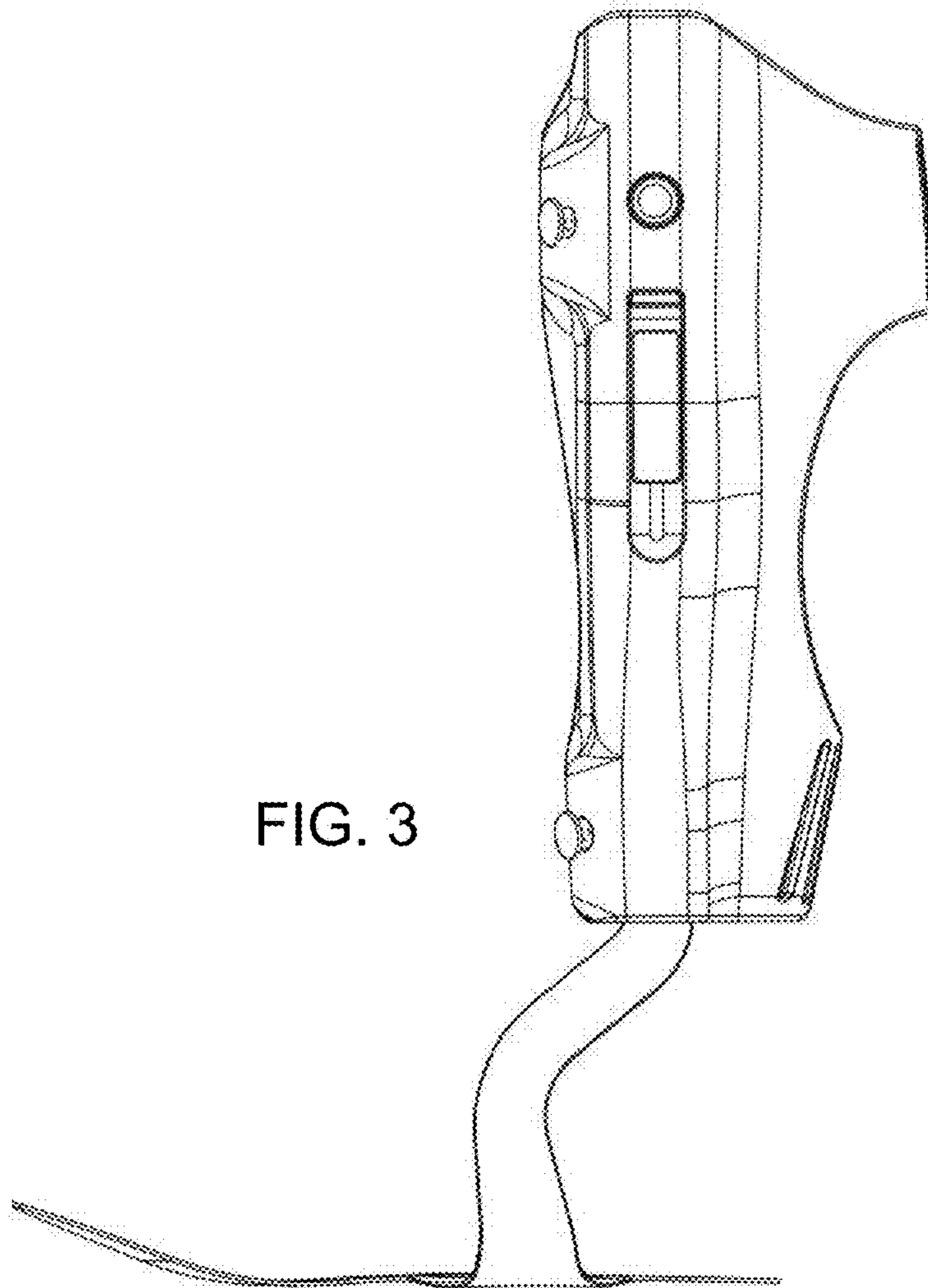


FIG. 3

FIG. 4

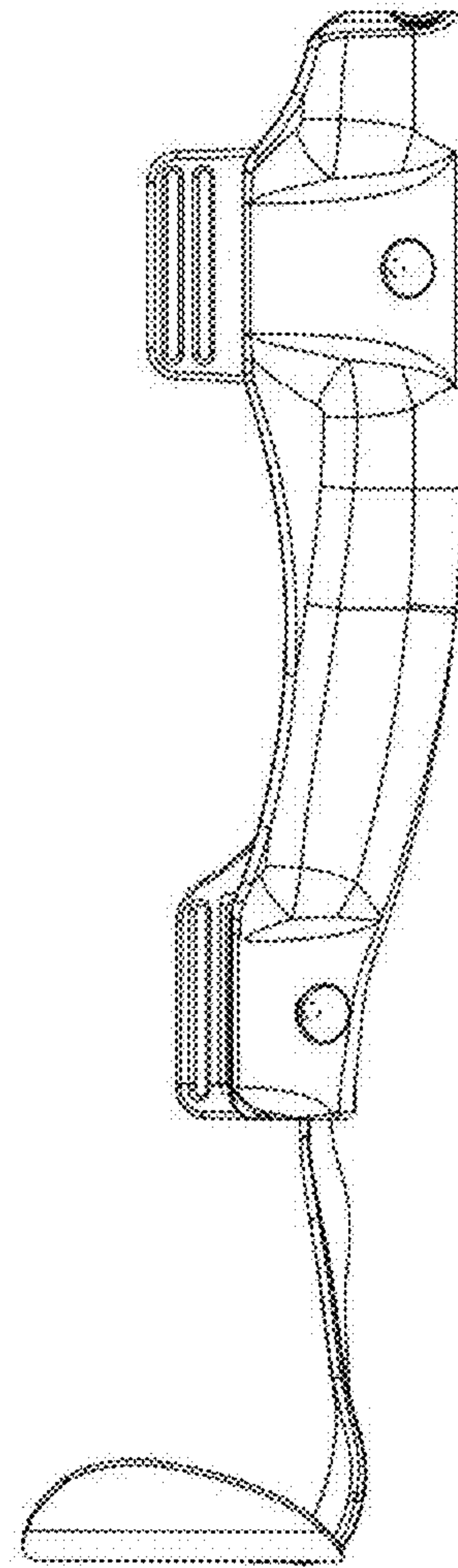
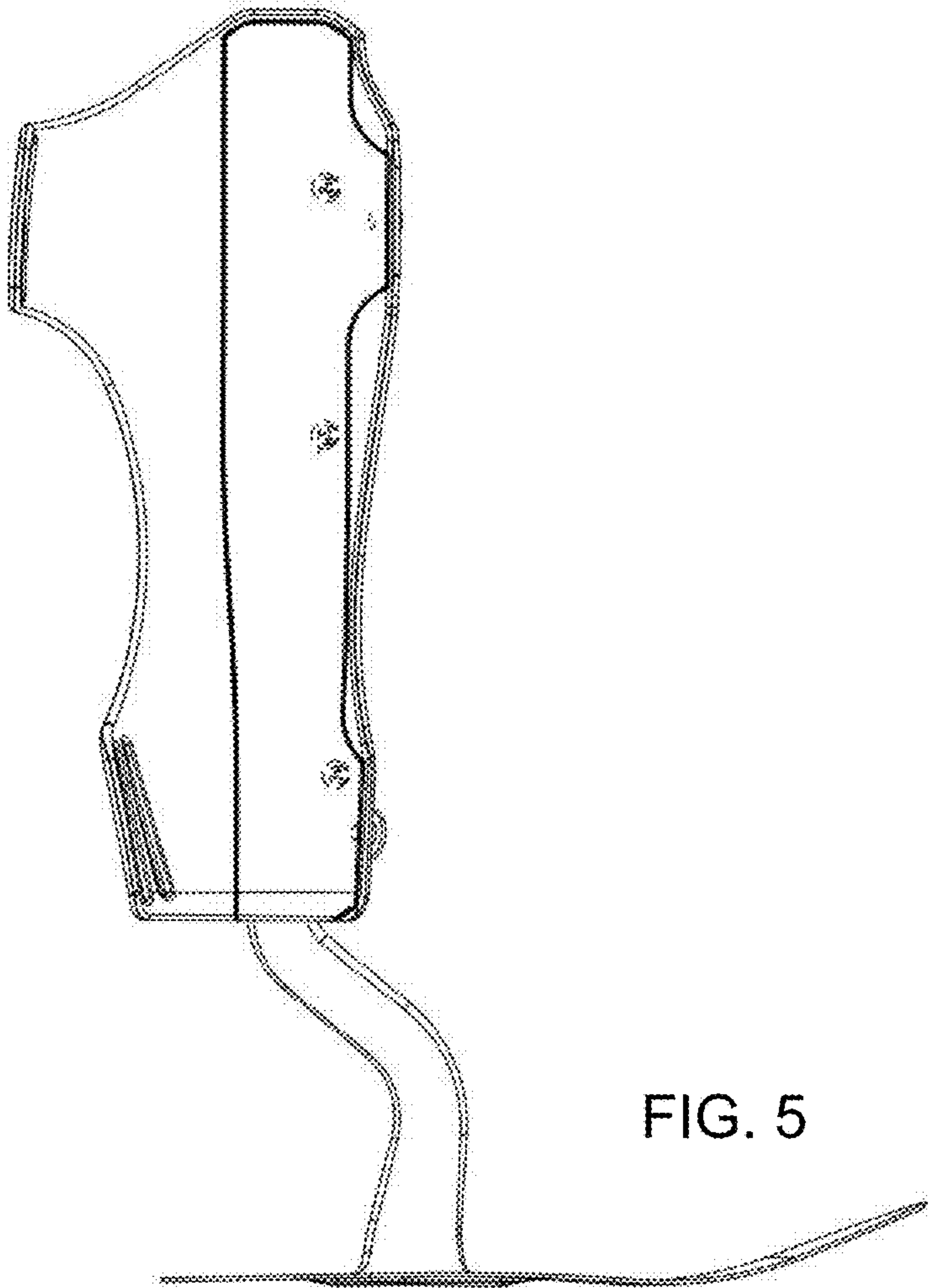


FIG. 5



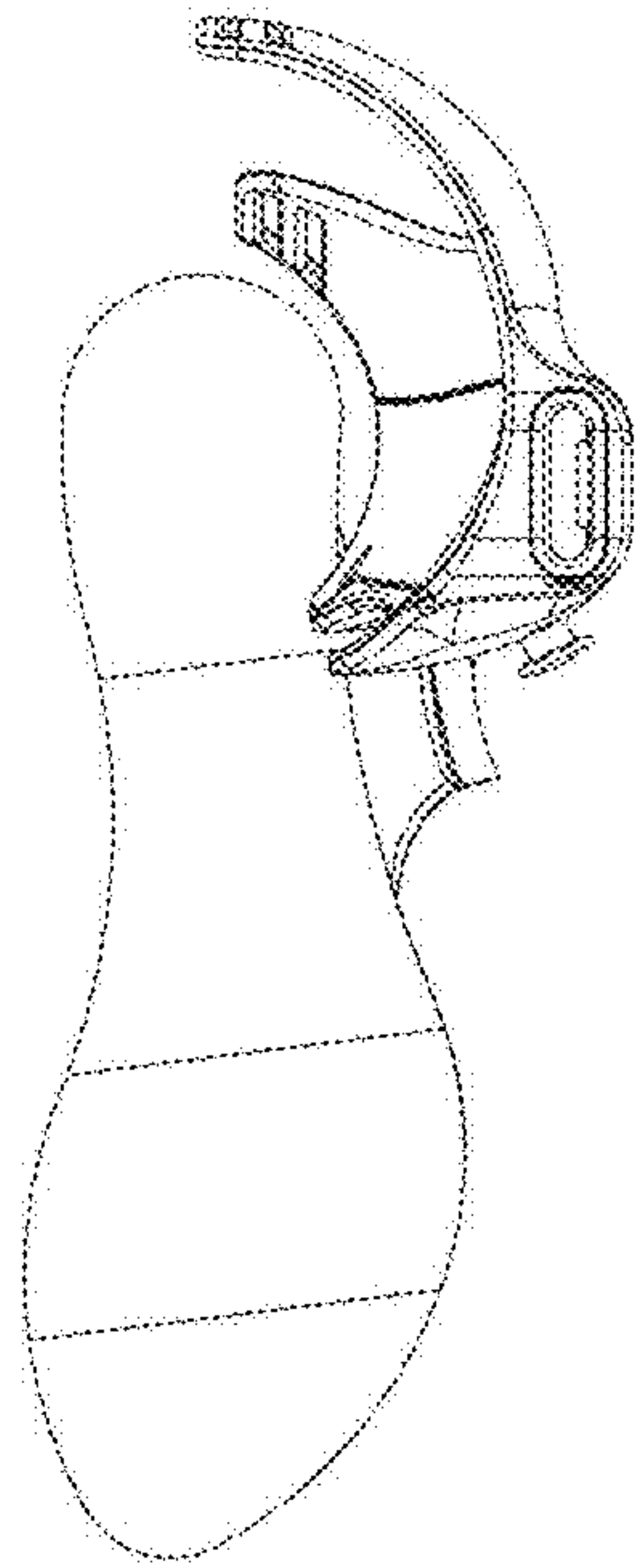


FIG. 6

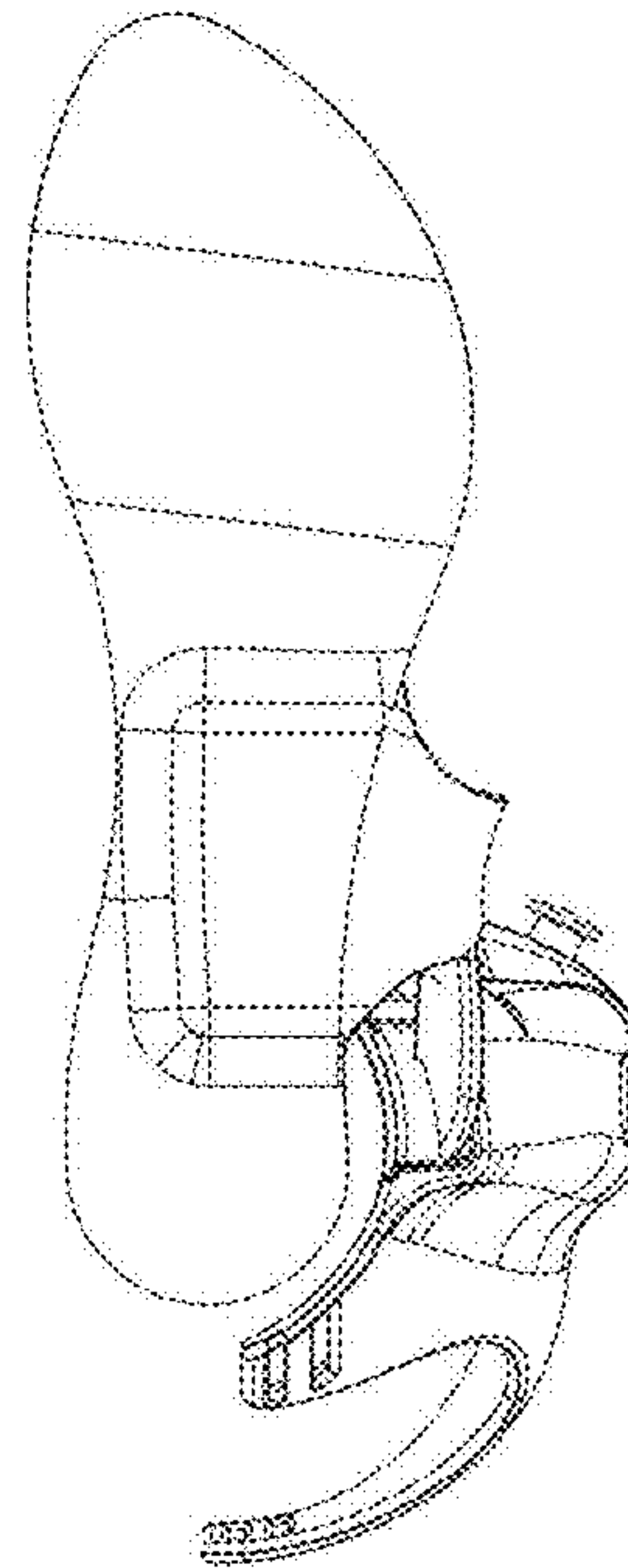


FIG. 7