



US00D807514S

(12) **United States Design Patent**
Eslava et al.

(10) **Patent No.:** **US D807,514 S**
(45) **Date of Patent:** **** Jan. 9, 2018**

(54) **ELECTRONIC VISUAL DISPLAY SYSTEM**

(71) Applicant: **Draeger Medical Systems, Inc.**,
Andover, MA (US)

(72) Inventors: **Juan P. Eslava**, Groton, MA (US);
Peter A. Lund, Nashua, NH (US);
Thomas Swyst, Arlington, MA (US)

(73) Assignee: **Draeger Medical Systems, Inc.**,
Andover, MA (US)

(**) Term: **15 Years**

(21) Appl. No.: **29/589,056**

(22) Filed: **Dec. 27, 2016**

(51) **LOC (11) Cl.** **24-01**

(52) **U.S. Cl.**

USPC **D24/186**

(58) **Field of Classification Search**

USPC D24/185, 186, 107; D14/433, 434, 447,
D14/451, 371, 374, 375, 328, 336, 339,
D14/340

(Continued)

(56) **References Cited**

U.S. PATENT DOCUMENTS

4,715,385 A * 12/1987 Cudahy A61B 5/0205
361/679.01
5,566,676 A * 10/1996 Rosenfeldt A61B 5/02055
600/481

(Continued)

Primary Examiner — Anhdao Doan

(74) *Attorney, Agent, or Firm* — Jones Day

(57) **CLAIM**

The ornamental design for an electronic visual display system, as shown and described.

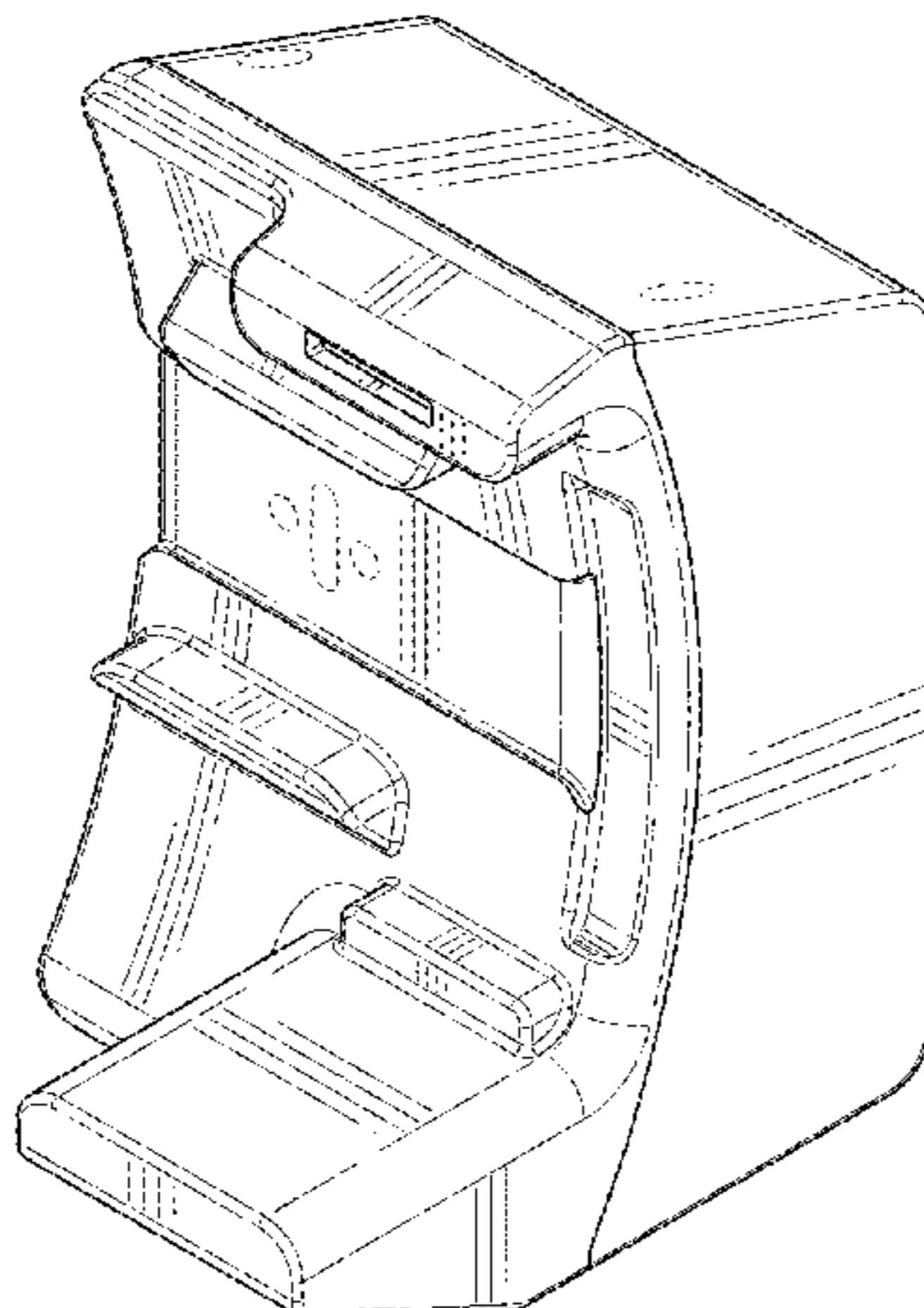
DESCRIPTION

FIG. 1 is a front perspective view of a monitor mount forming part of an electronic visual display system;

FIG. 2 is a back perspective view thereof;
FIG. 3 is a front view thereof;
FIG. 4 is a back view thereof;
FIG. 5 is a first side view thereof;
FIG. 6 is a second side view thereof;
FIG. 7 is a top view thereof;
FIG. 8 is a bottom view thereof;
FIG. 9 is a front perspective view of the monitor mount having the first display monitor mounted therein;
FIG. 10 is a back perspective view thereof;
FIG. 11 is a front view thereof;
FIG. 12 is a back view thereof;
FIG. 13 is a first side view thereof;
FIG. 14 is a second side view thereof;
FIG. 15 is a top view thereof;
FIG. 16 is a bottom view thereof;
FIG. 17 is an exploded perspective view of the electronic visual display system illustrating the first display monitor in relation to the monitor mount;
FIG. 18 is a first front perspective view of the electronic visual display system;
FIG. 19 is a back perspective view thereof;
FIG. 20 is a front view thereof;
FIG. 21 is a back view thereof;
FIG. 22 is a first side view thereof;
FIG. 23 is a second side view thereof;
FIG. 24 is a top view thereof;
FIG. 25 is a bottom view thereof;
FIG. 26 is an exploded perspective view of the electronic visual display system illustrating the first display monitor, the second display monitor, and the monitor mount in relation to each other;
FIG. 27 is a second front perspective view of the electronic visual display system having medical equipment accessories affixed thereto; and,
FIG. 28 is a third front perspective view of the electronic visual display system having medical equipment accessories affixed thereto.

The broken lines depicting the medical equipment accessories shown in FIGS. 27 and 28 represent environment; the broken lines adjacent to the shaded areas shown in FIGS.

(Continued)



1-4, 7, 9, 10, 12, 13, 15-17, 19, 21, 22, 24-26 represent the boundaries of the claim. The broken lines form no part of the claimed design.

1 Claim, 28 Drawing Sheets

(58) **Field of Classification Search**

CPC . A61B 5/0205; A61B 5/02055; A61B 5/0002;
A61B 5/0006; A61B 5/0008; A61B
5/002; A61B 5/0022; A61B 2560/0443;
A61B 2560/045; A61B 2560/0456

See application file for complete search history.

(56) **References Cited**

U.S. PATENT DOCUMENTS

D647,903	S	*	11/2011	McClelland	D14/371
D711,003	S	*	8/2014	Chen	D24/186
D733,892	S	*	7/2015	Fries	D24/186
9,153,112	B1	*	10/2015	Kiani	A61B 5/02055
D748,806	S	*	2/2016	Coonahan	D24/186
D769,872	S	*	10/2016	Swyst	D14/371
D783,835	S	*	4/2017	Schon	D24/186
D784,542	S	*	4/2017	Zwierstra	D24/186
2011/0054268	A1	*	3/2011	Fidacaro	A61B 5/0002 600/300
2013/0267861	A1	*	10/2013	Vassallo	A61B 5/0816 600/532
2014/0159921	A1	*	6/2014	Qualey	A61B 5/7445 340/870.09

* cited by examiner

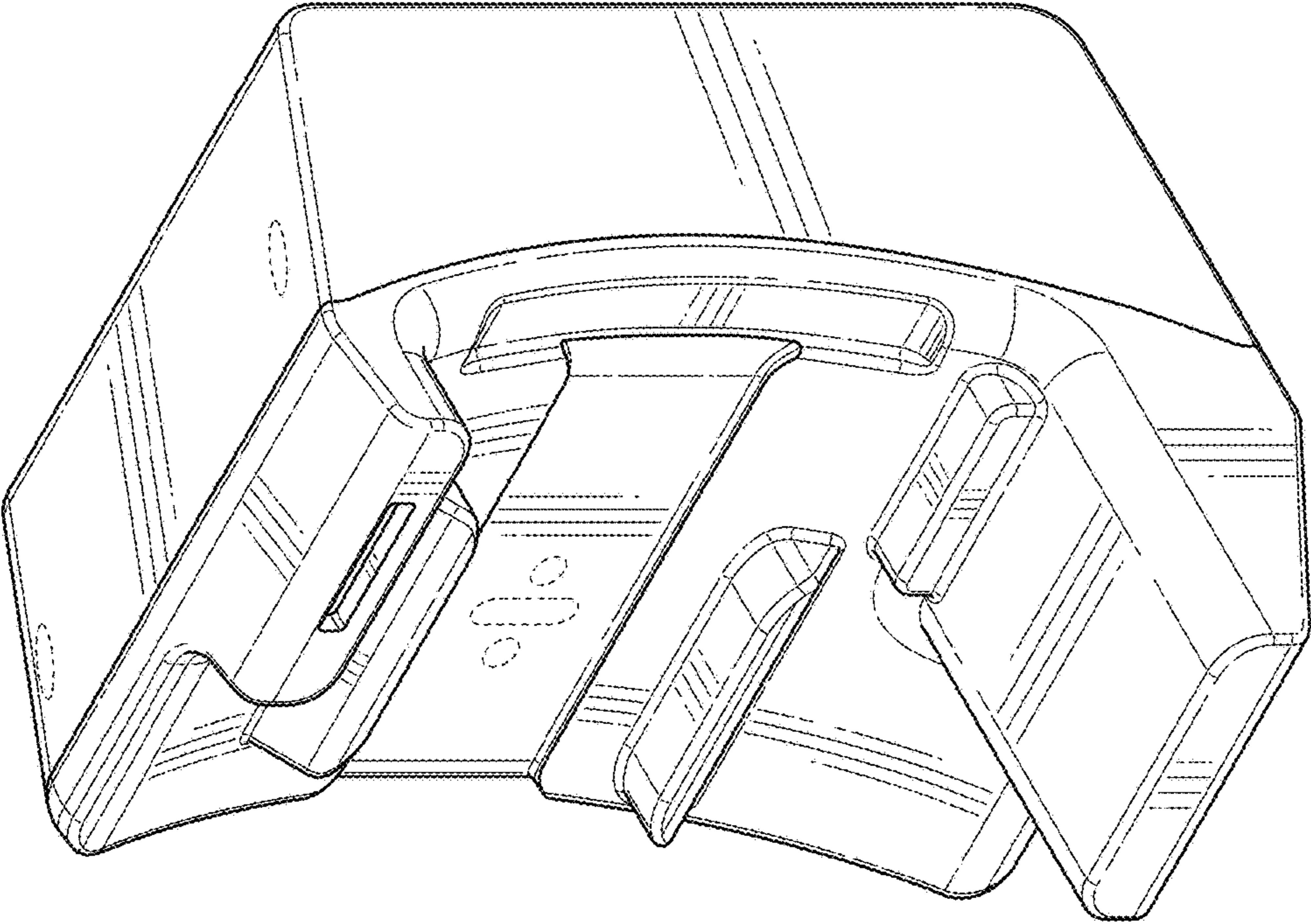


FIG. 1

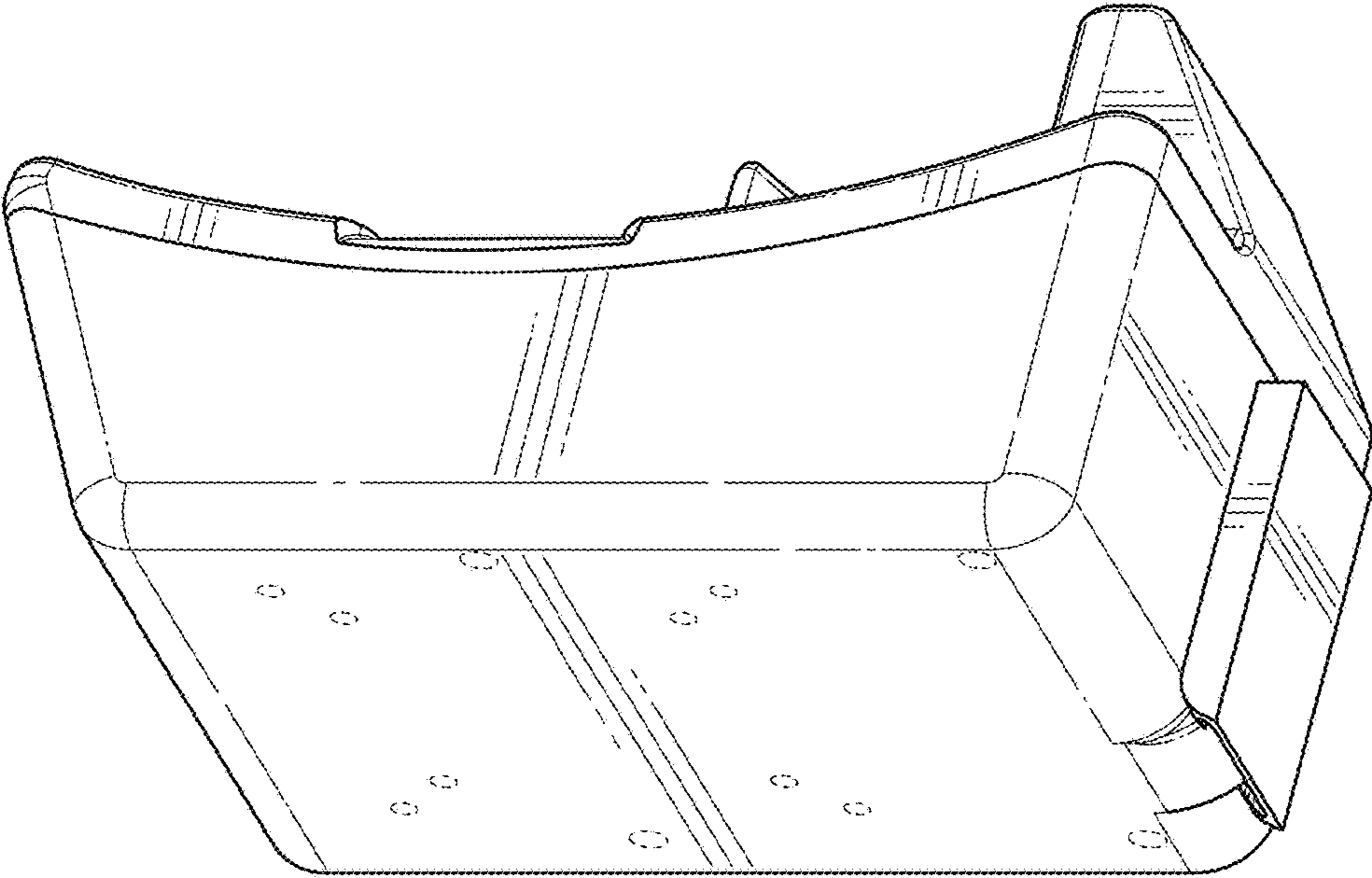


FIG. 2

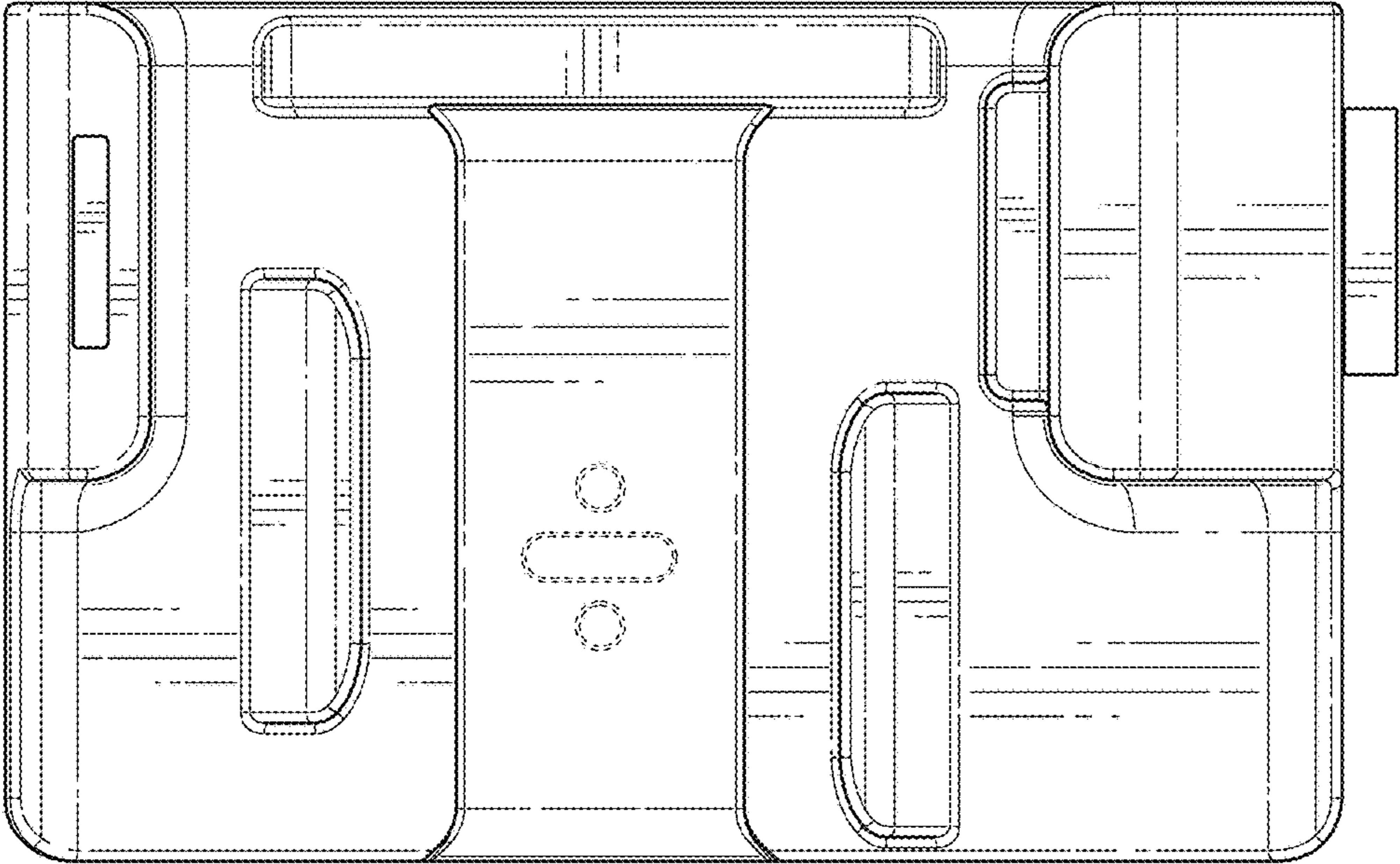


FIG. 3

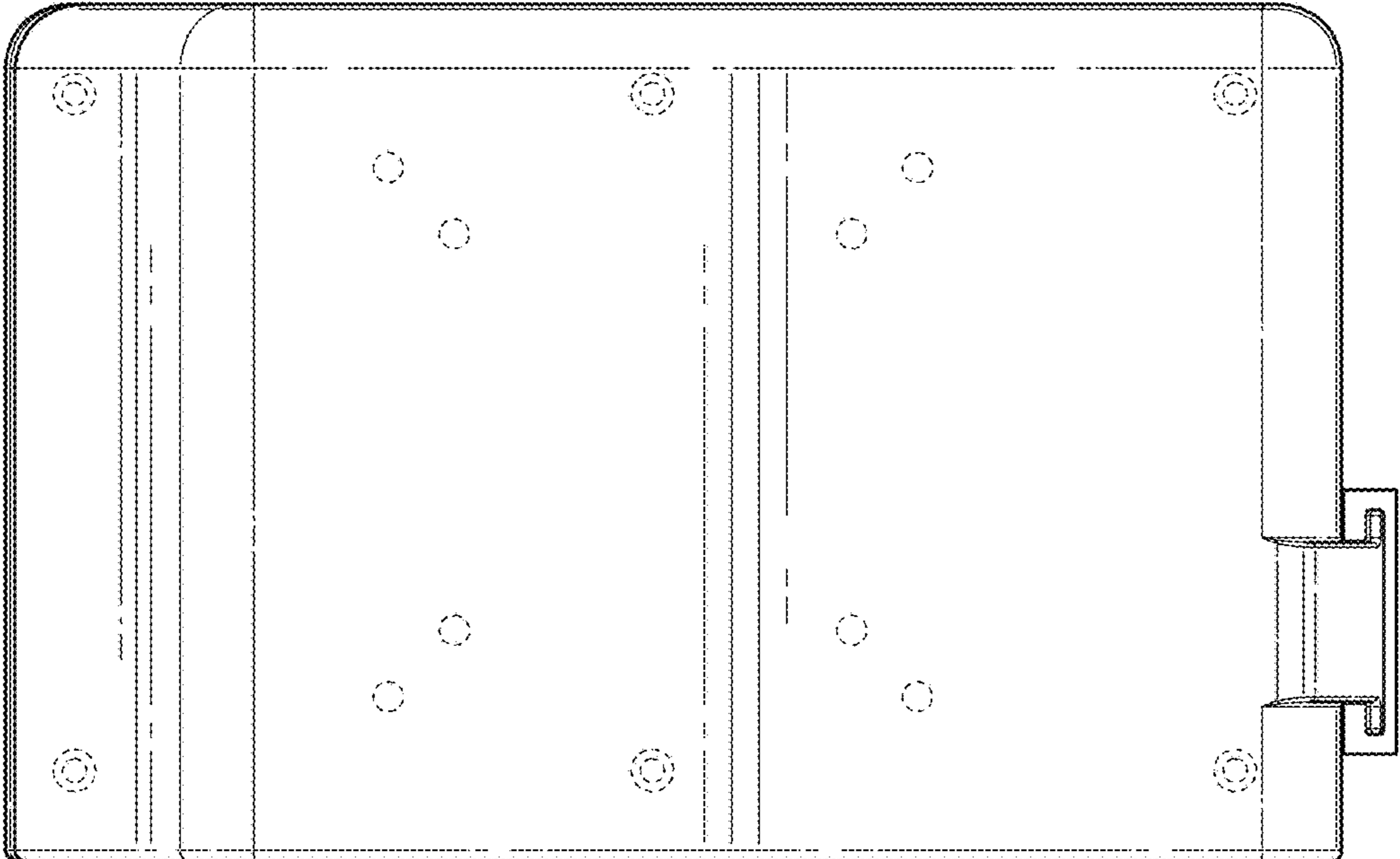


FIG. 4

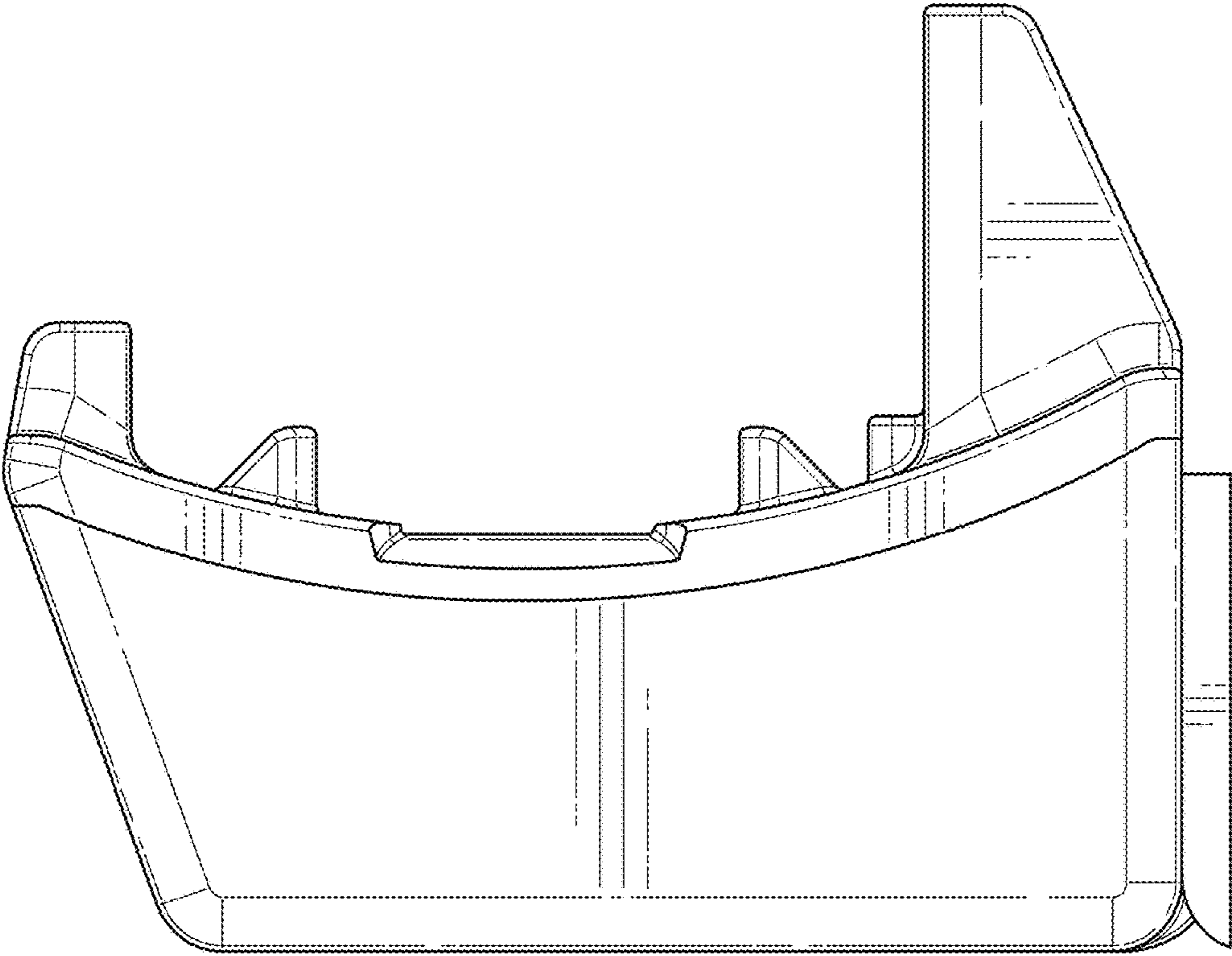


FIG. 5

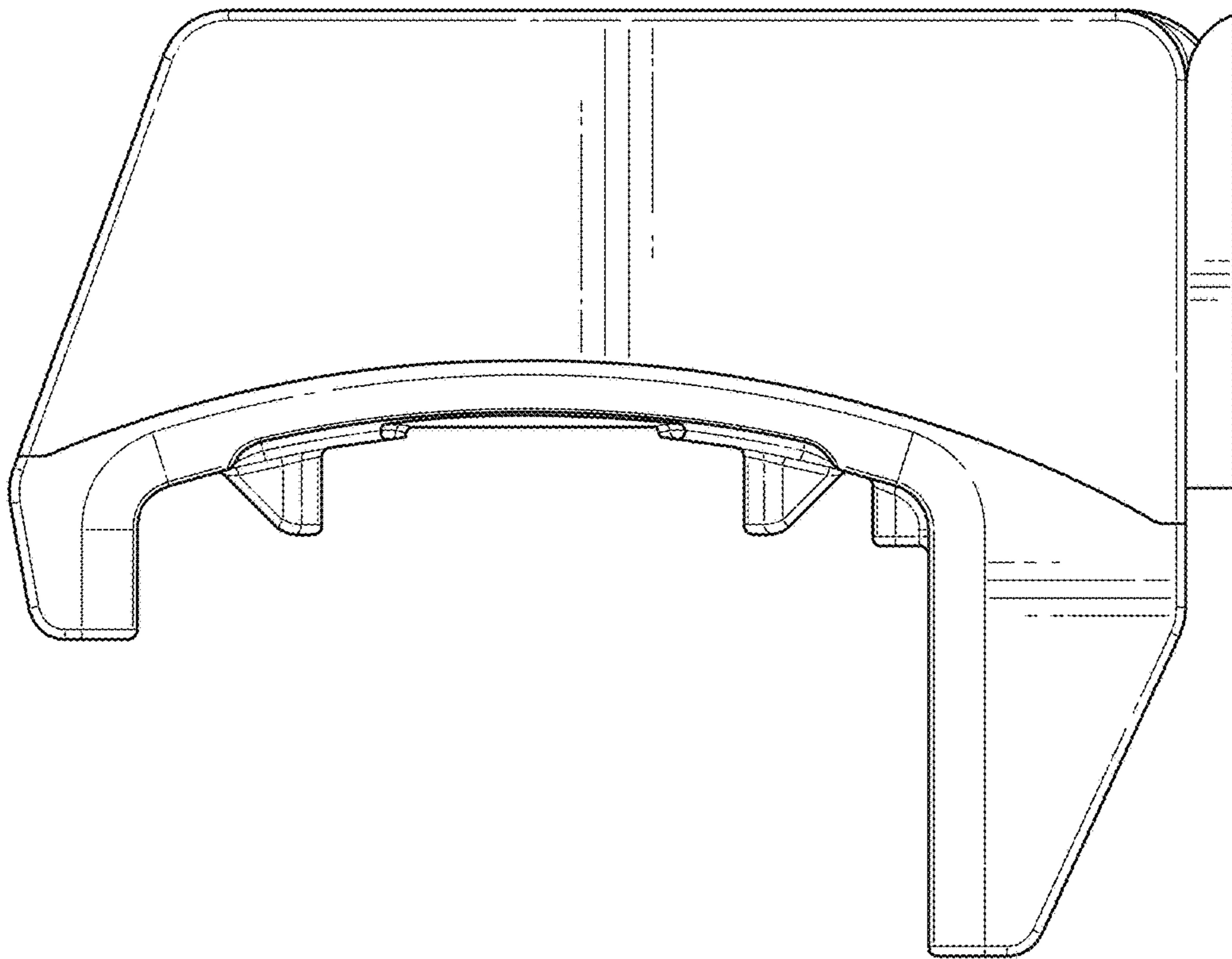


FIG. 6

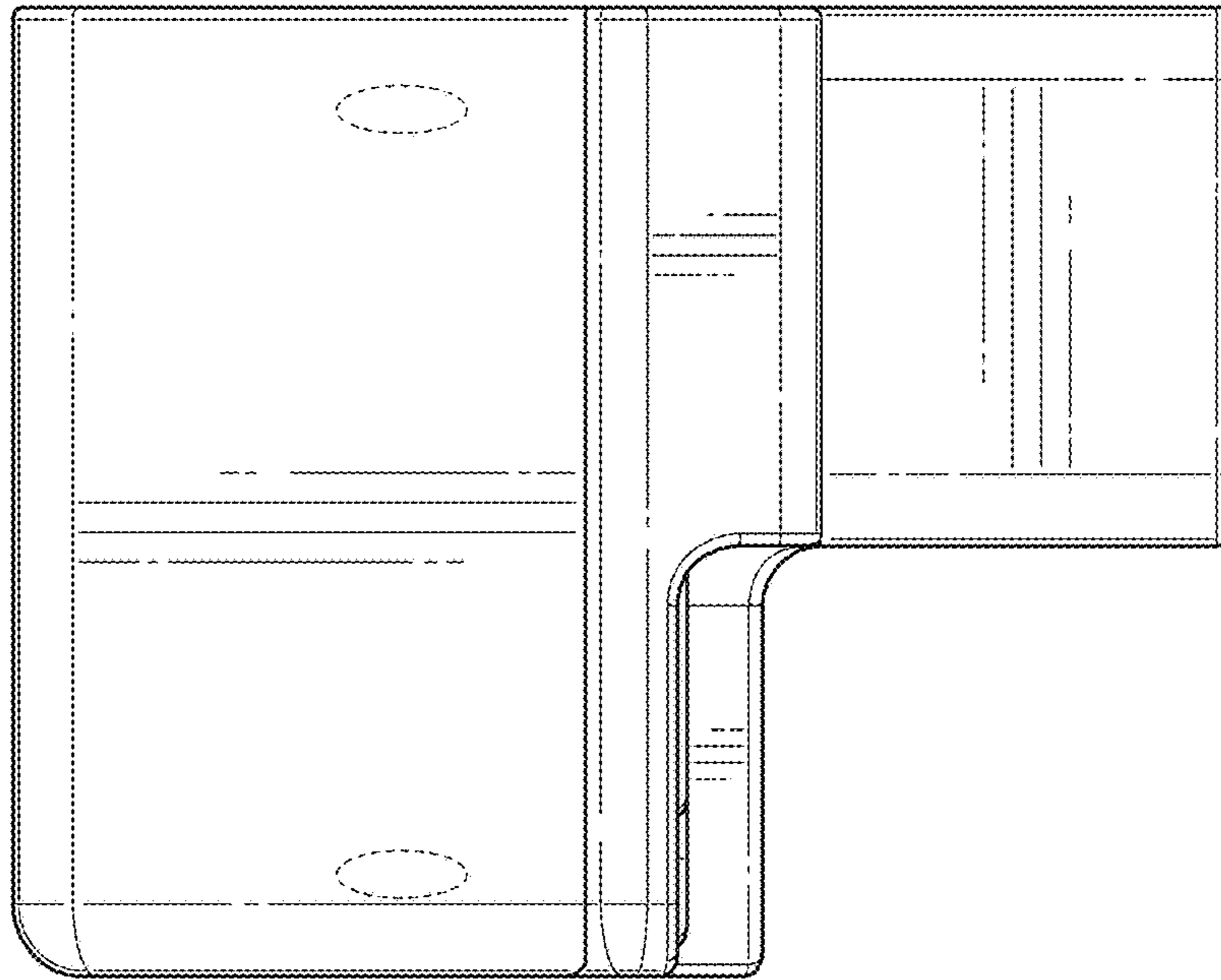


FIG. 7

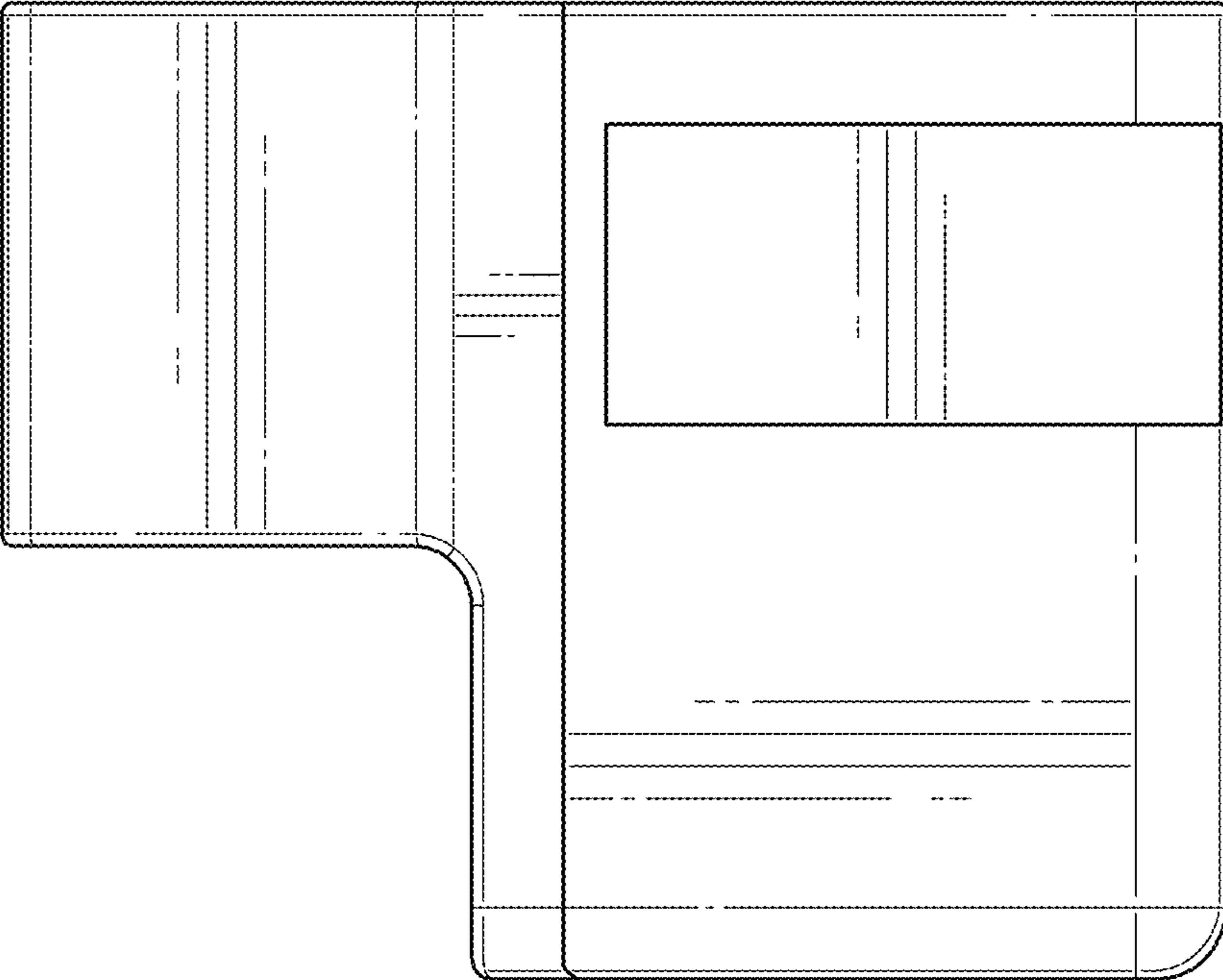


FIG. 8

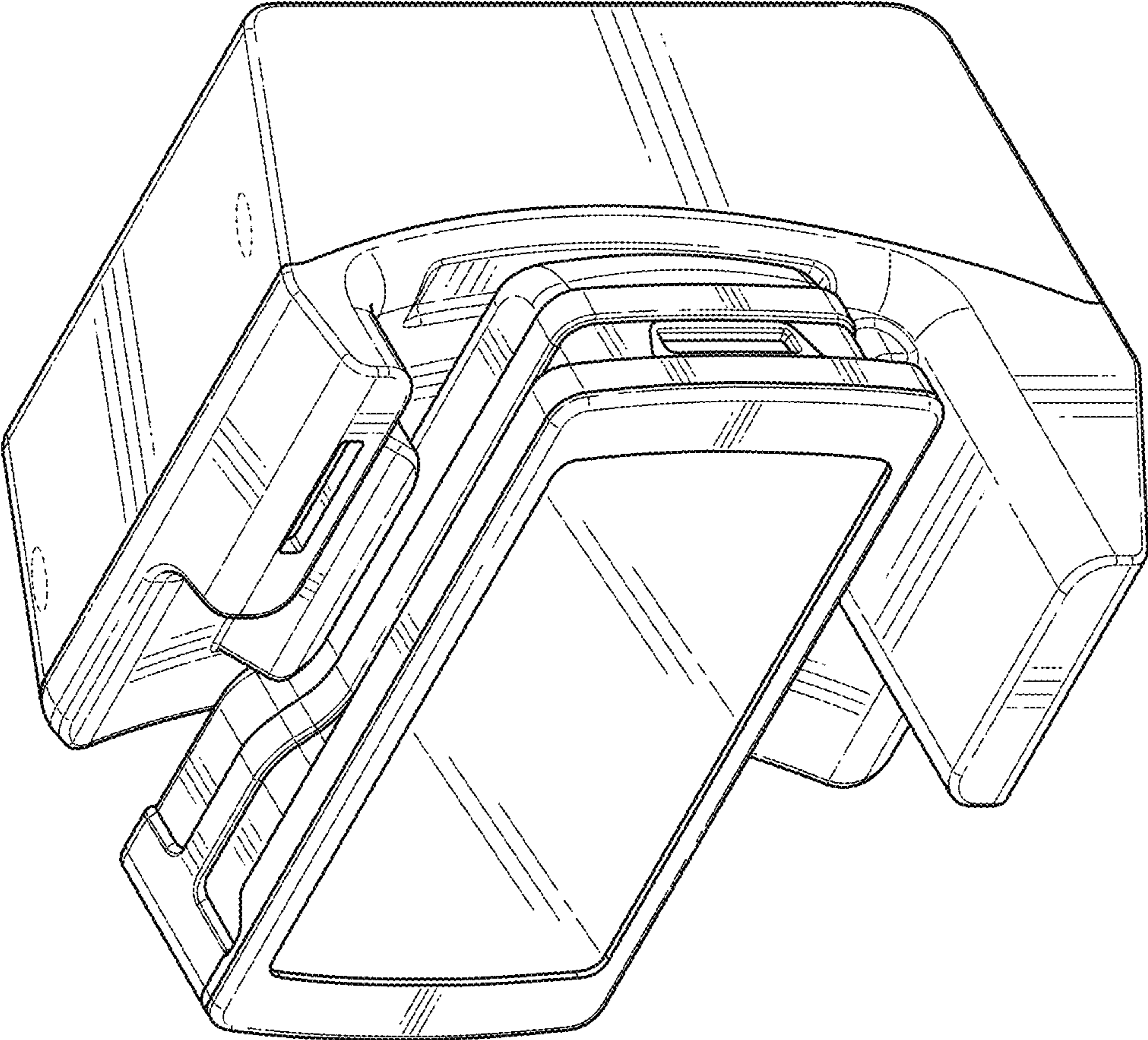


FIG. 9

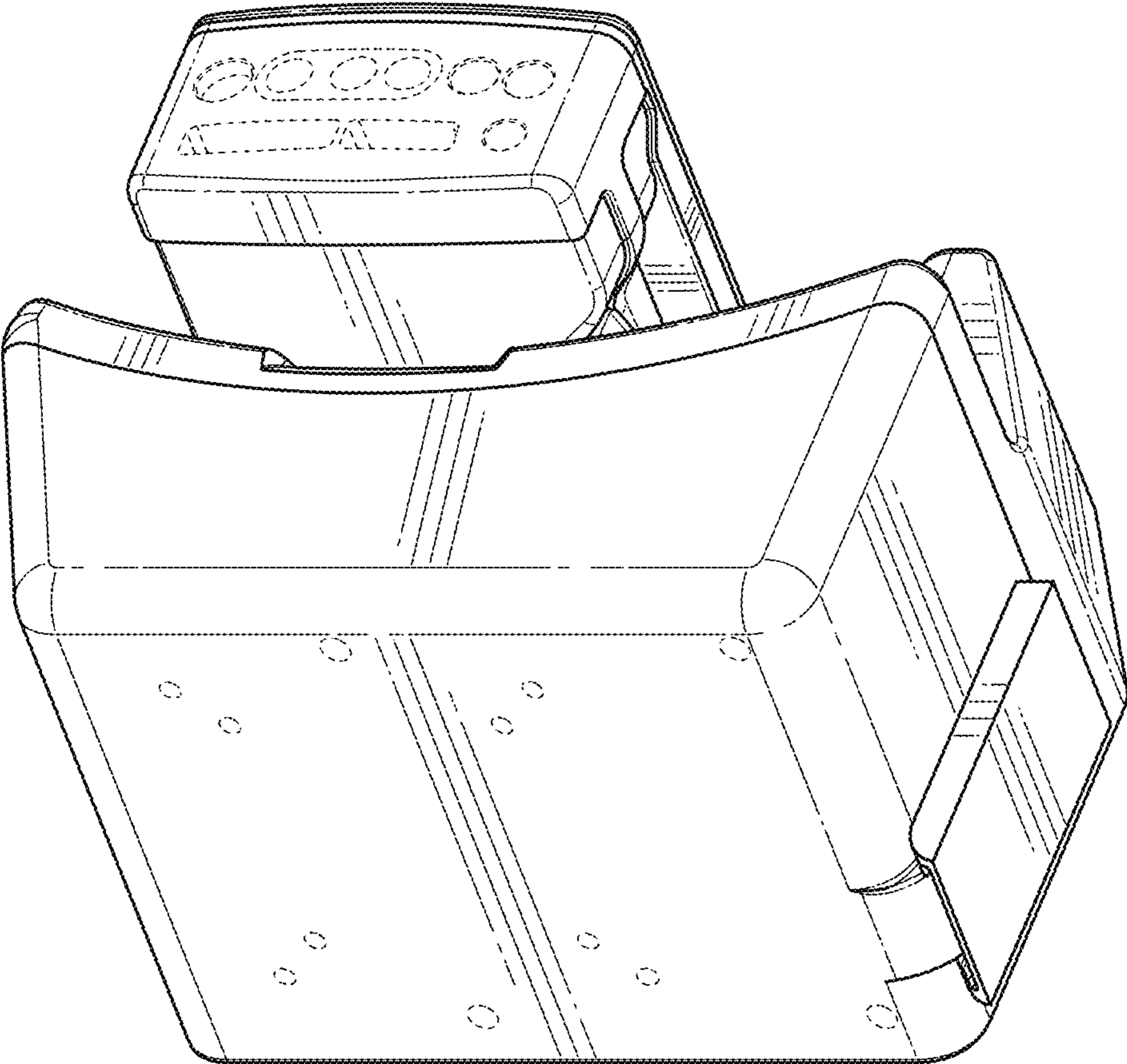


FIG. 10

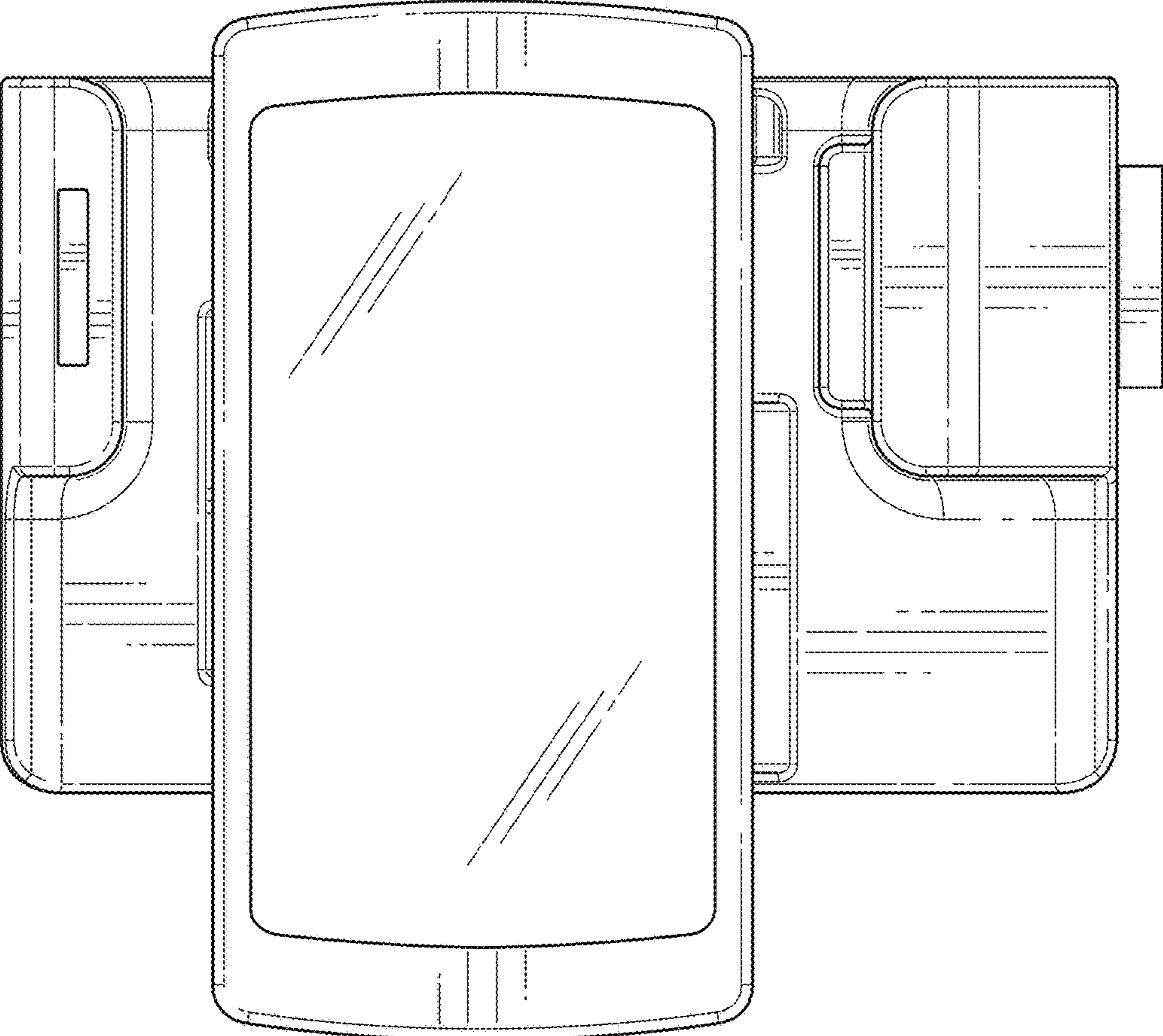


FIG. 11

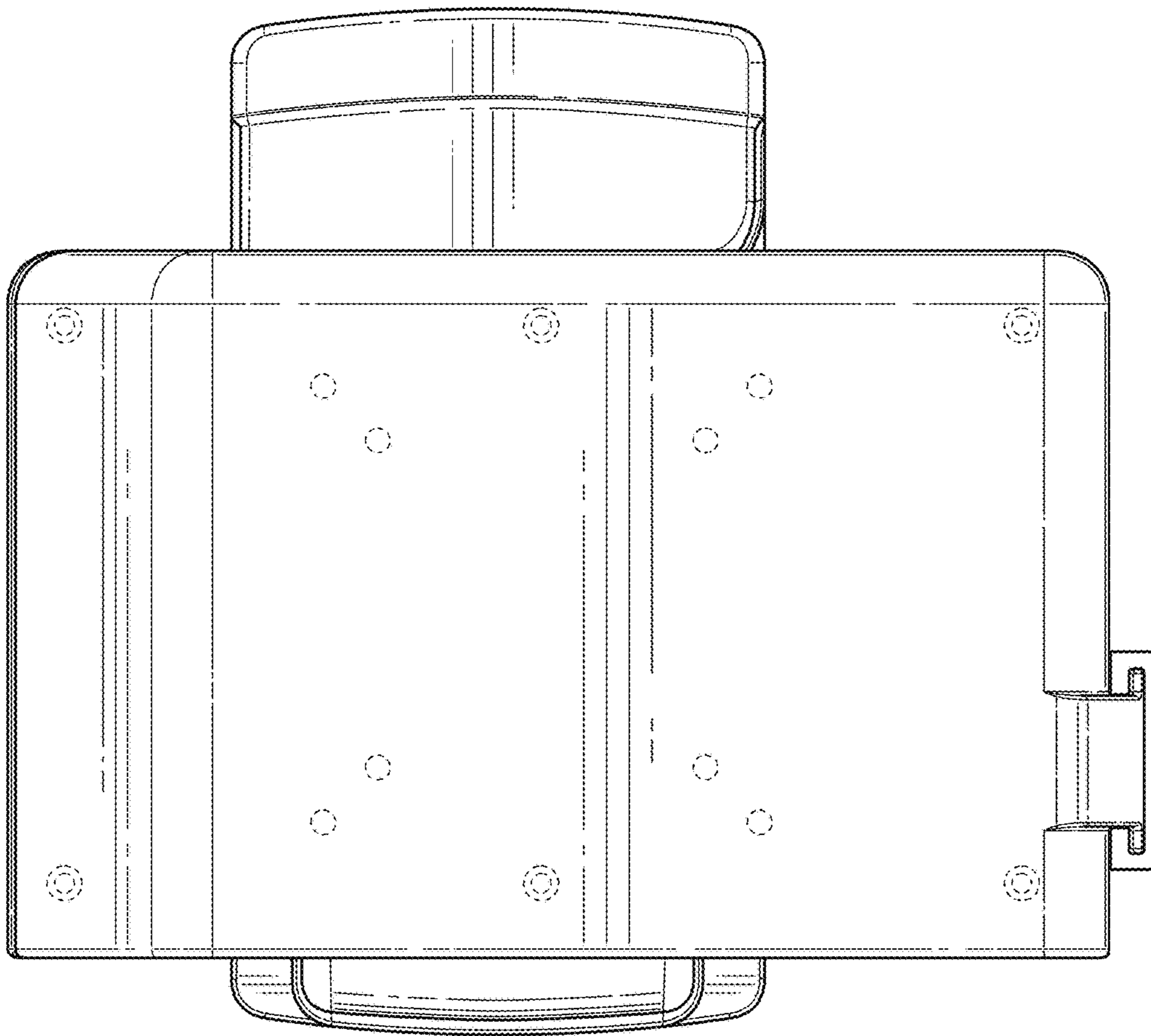


FIG. 12

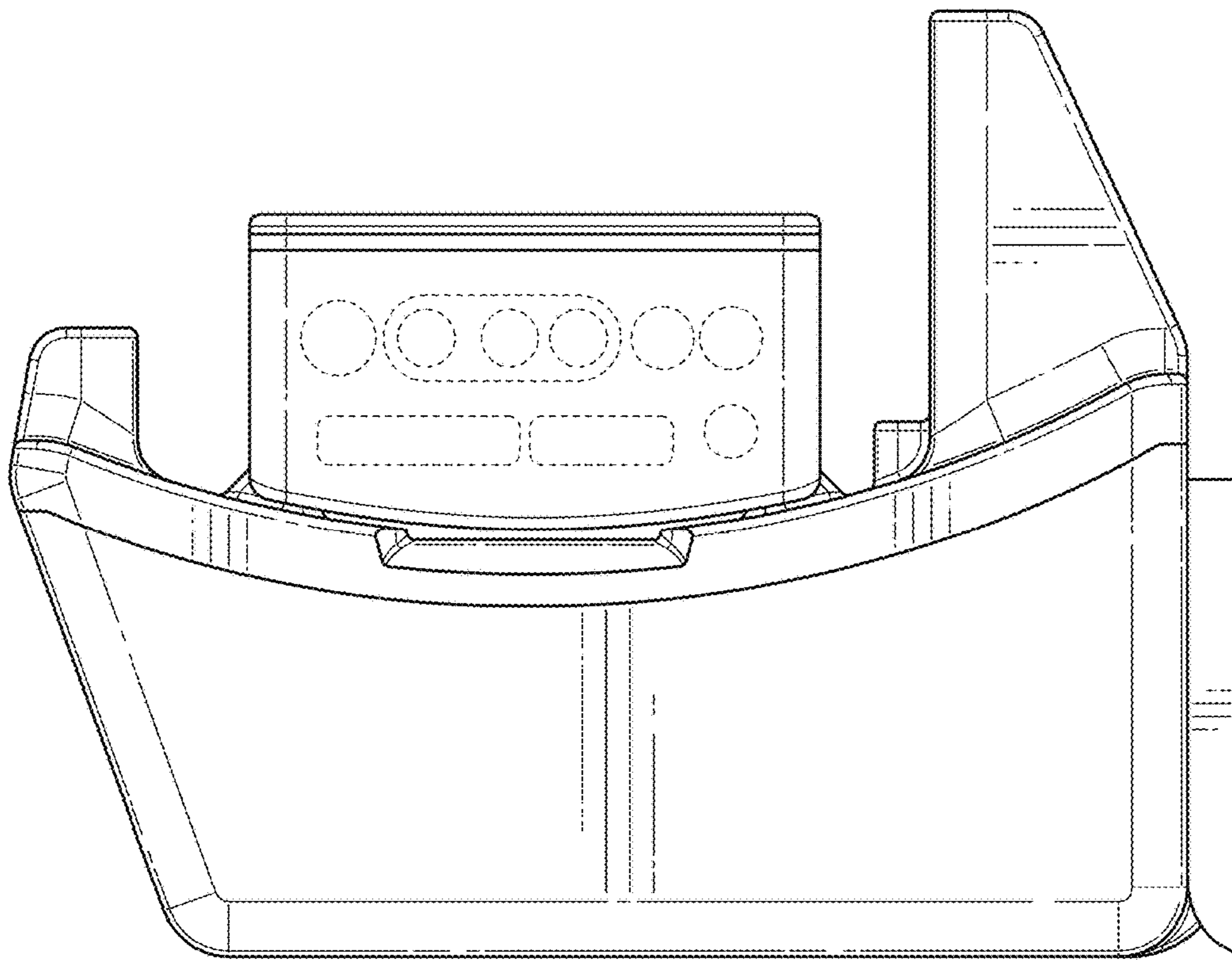


FIG. 13

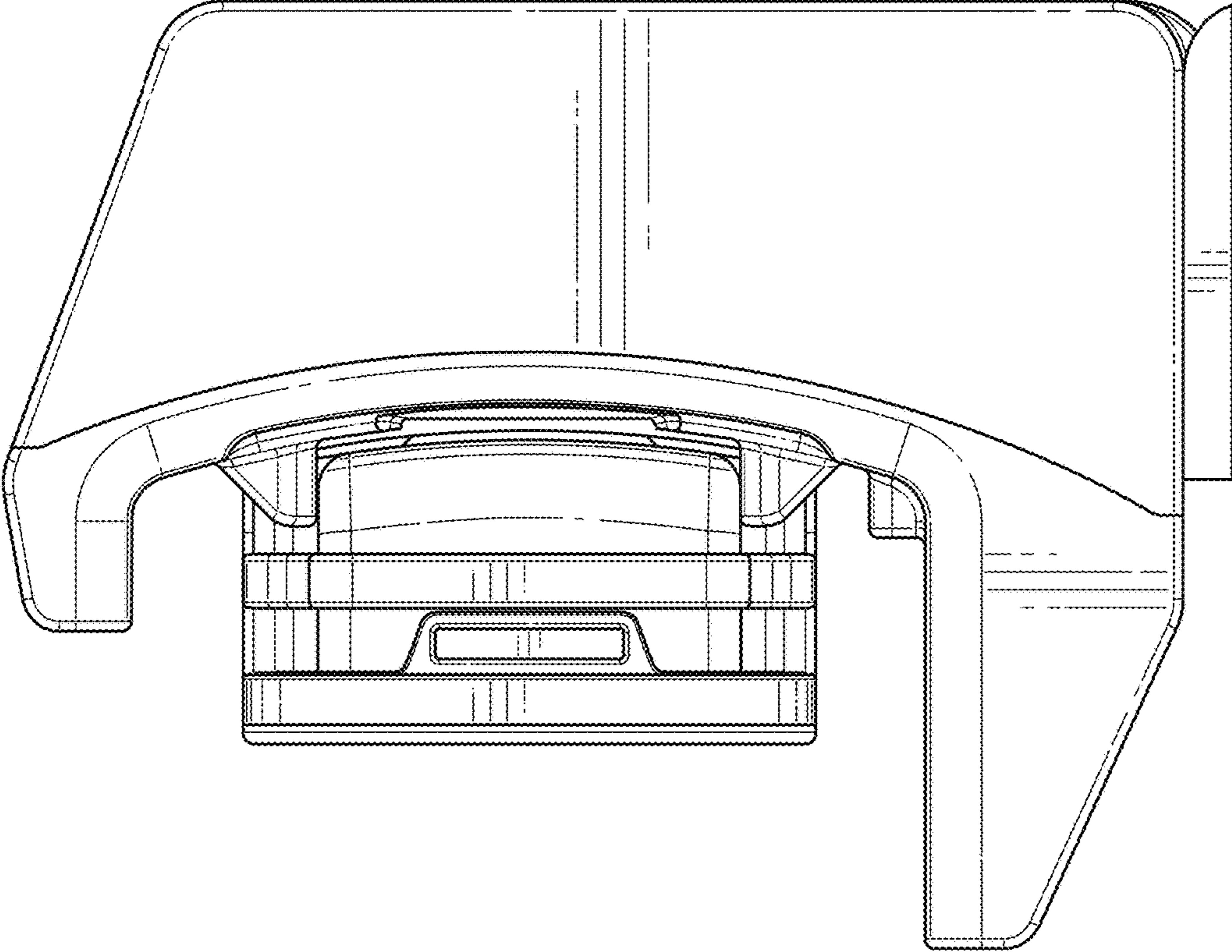


FIG. 14

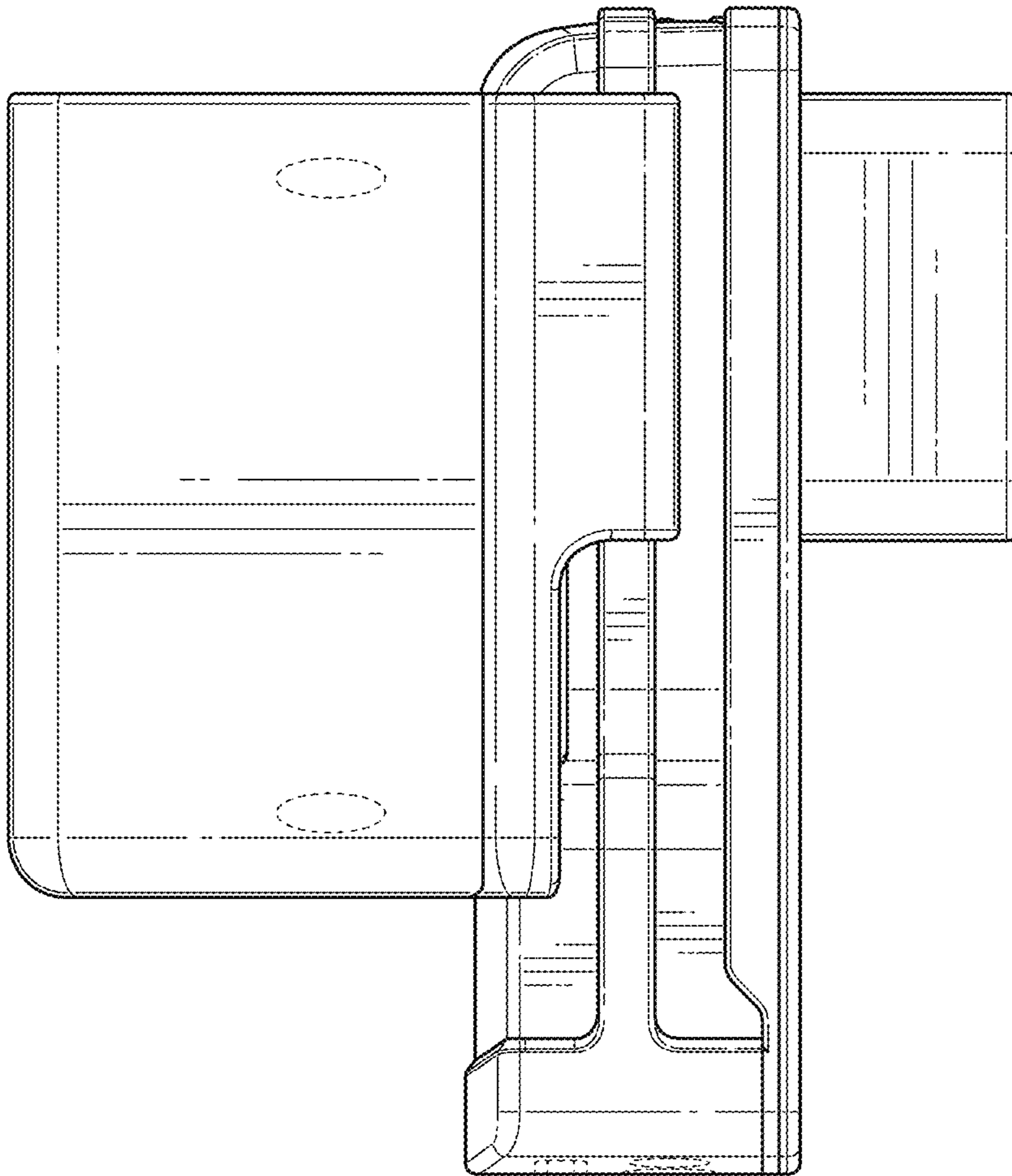


FIG. 15

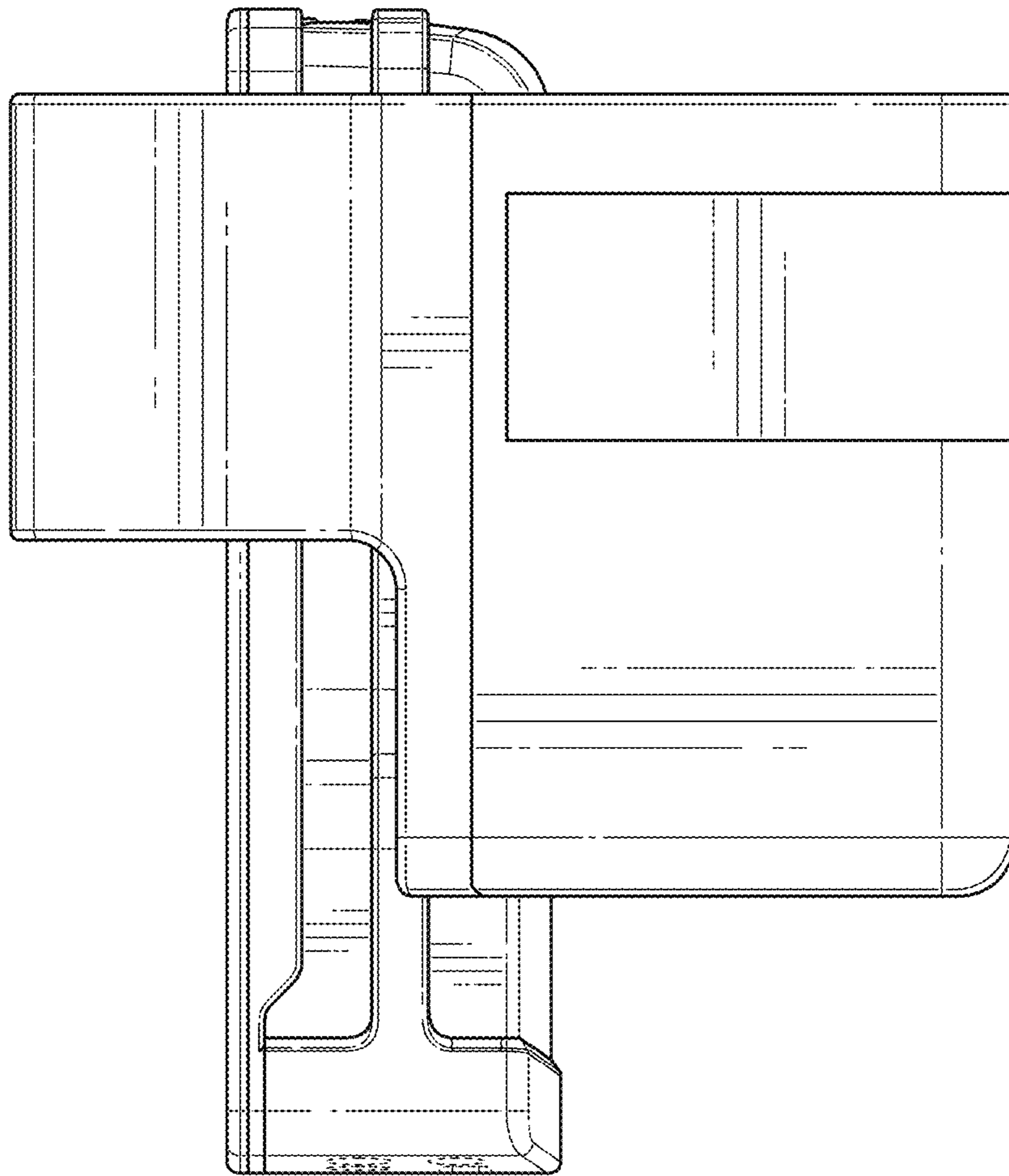


FIG. 16

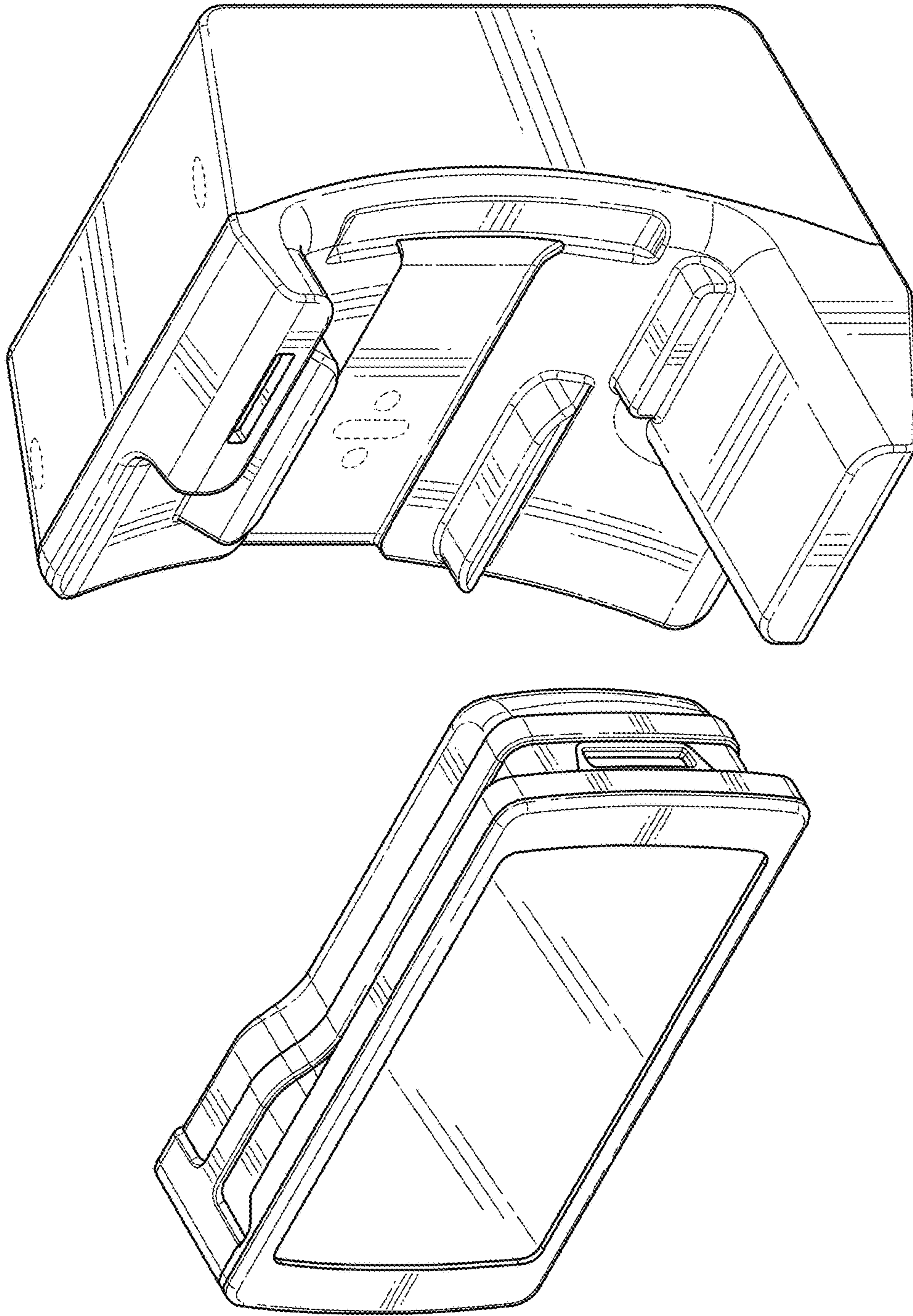


FIG. 17

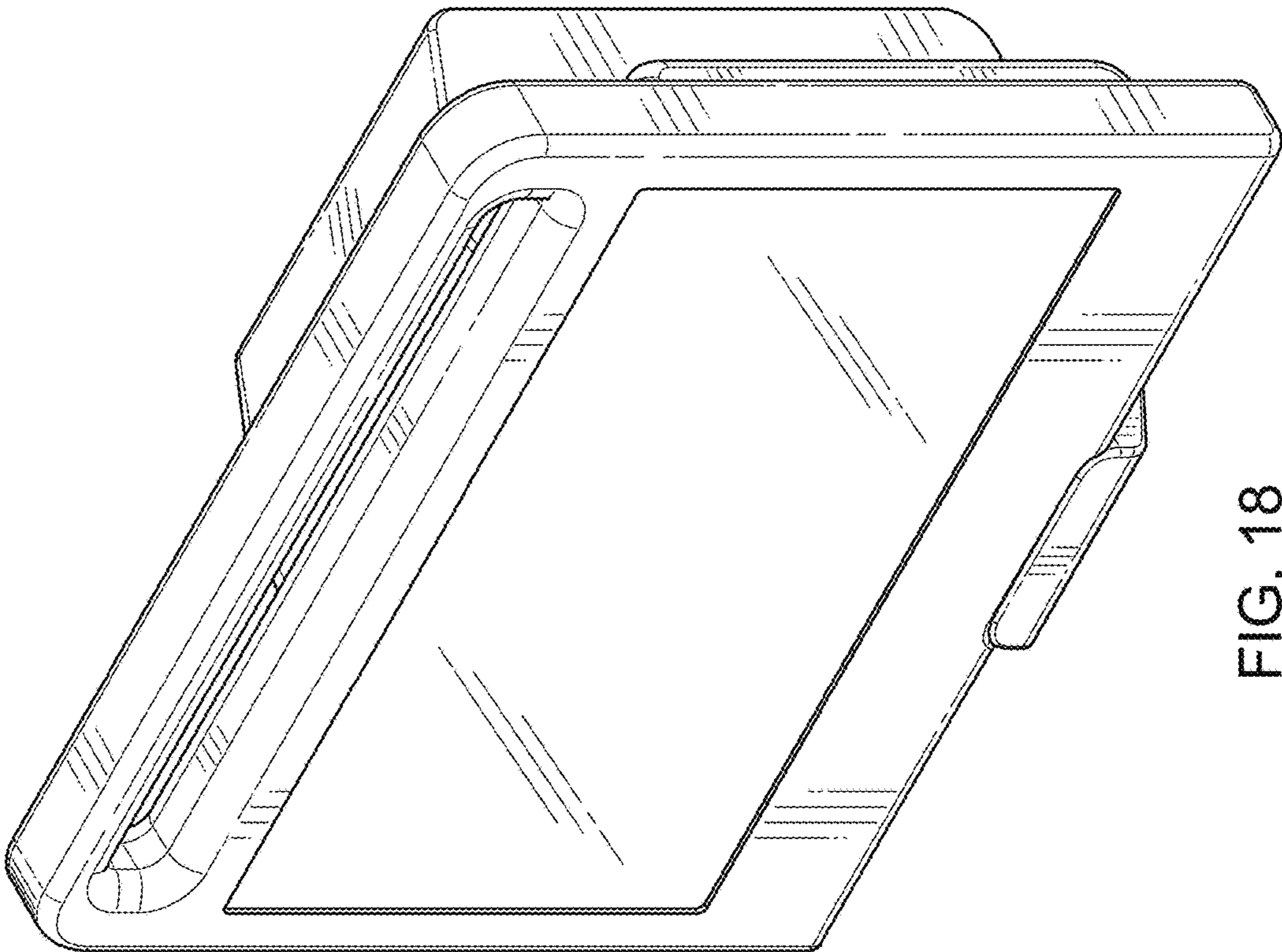


FIG. 18

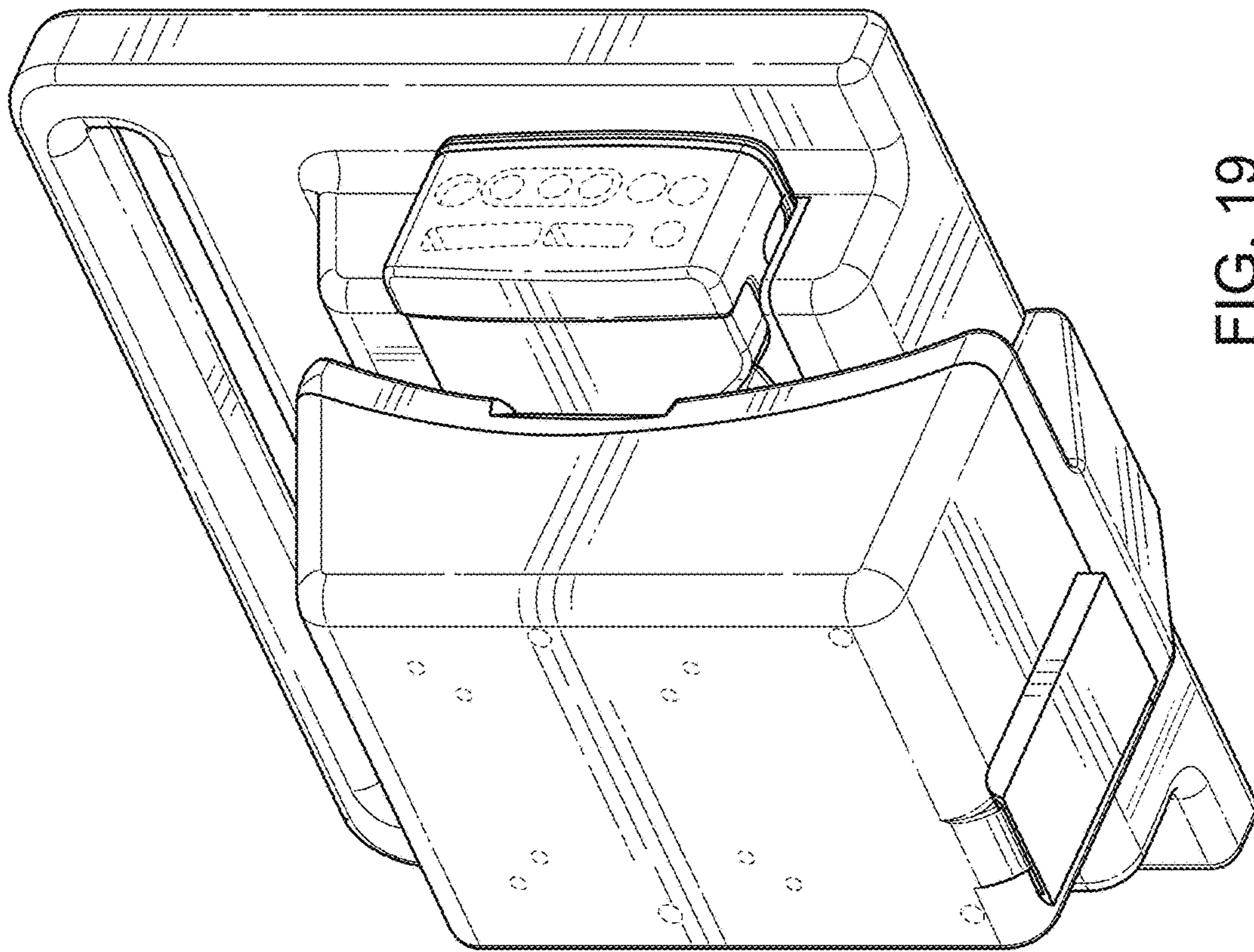


FIG. 19

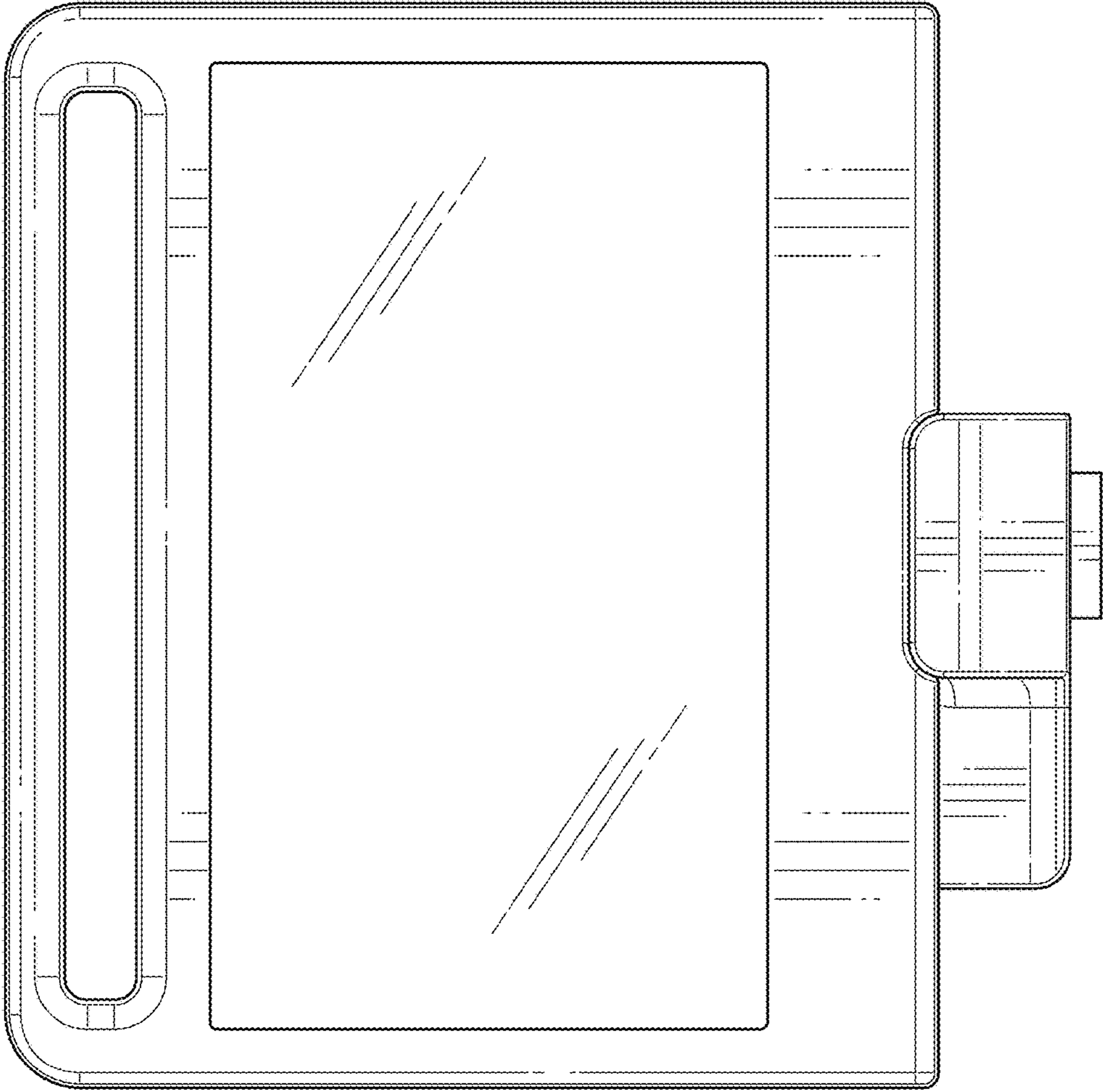


FIG. 20

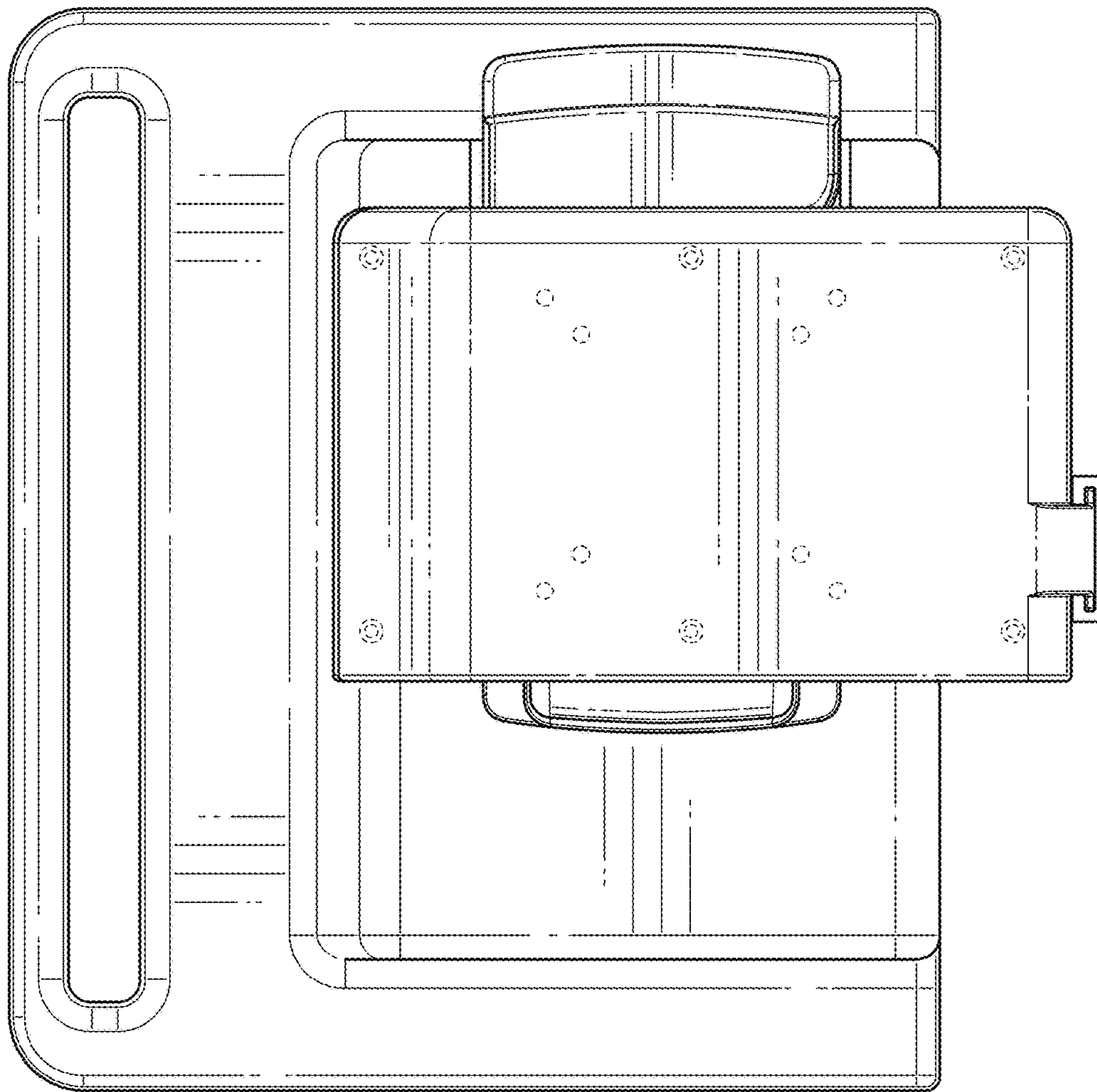


FIG. 21

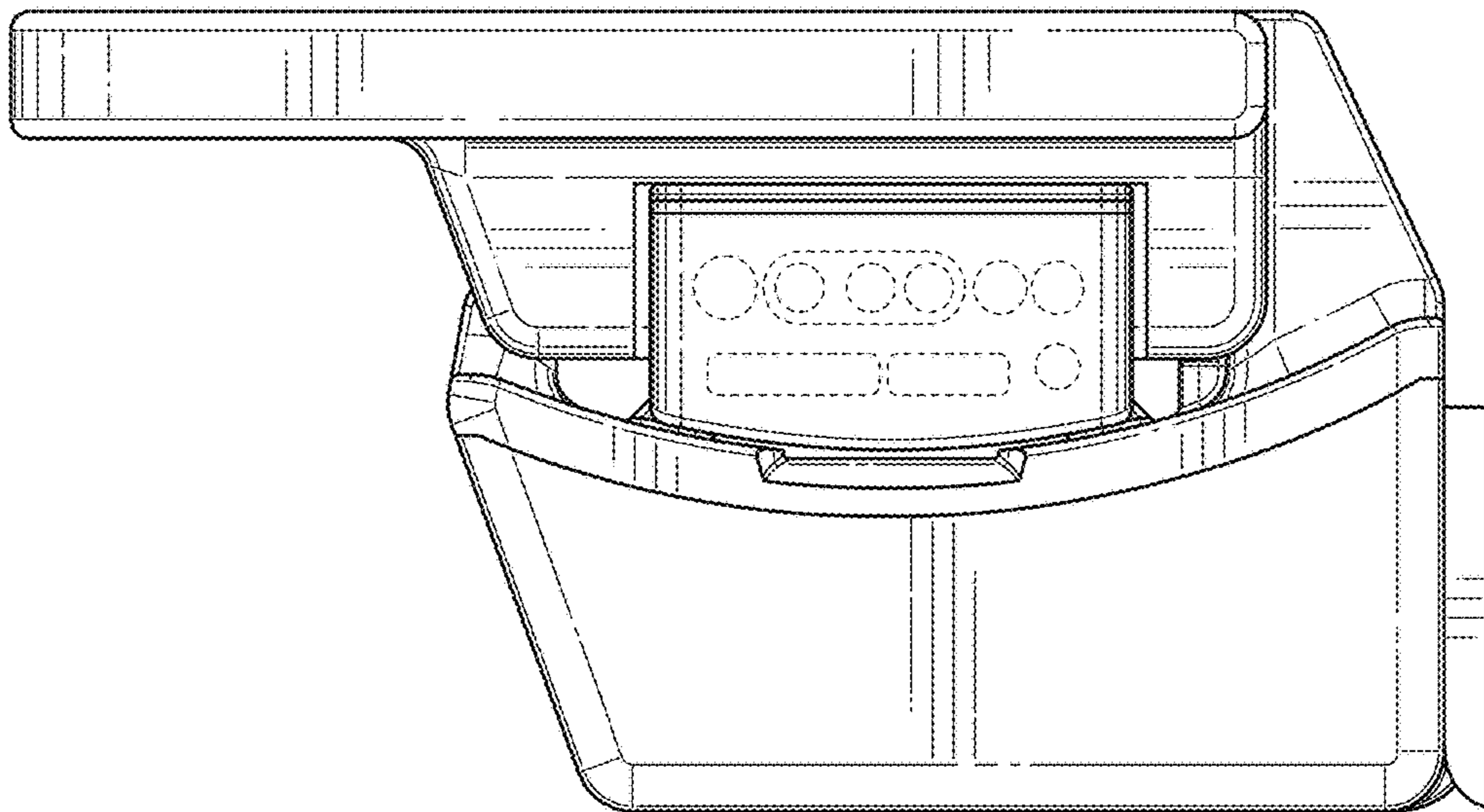


FIG. 22

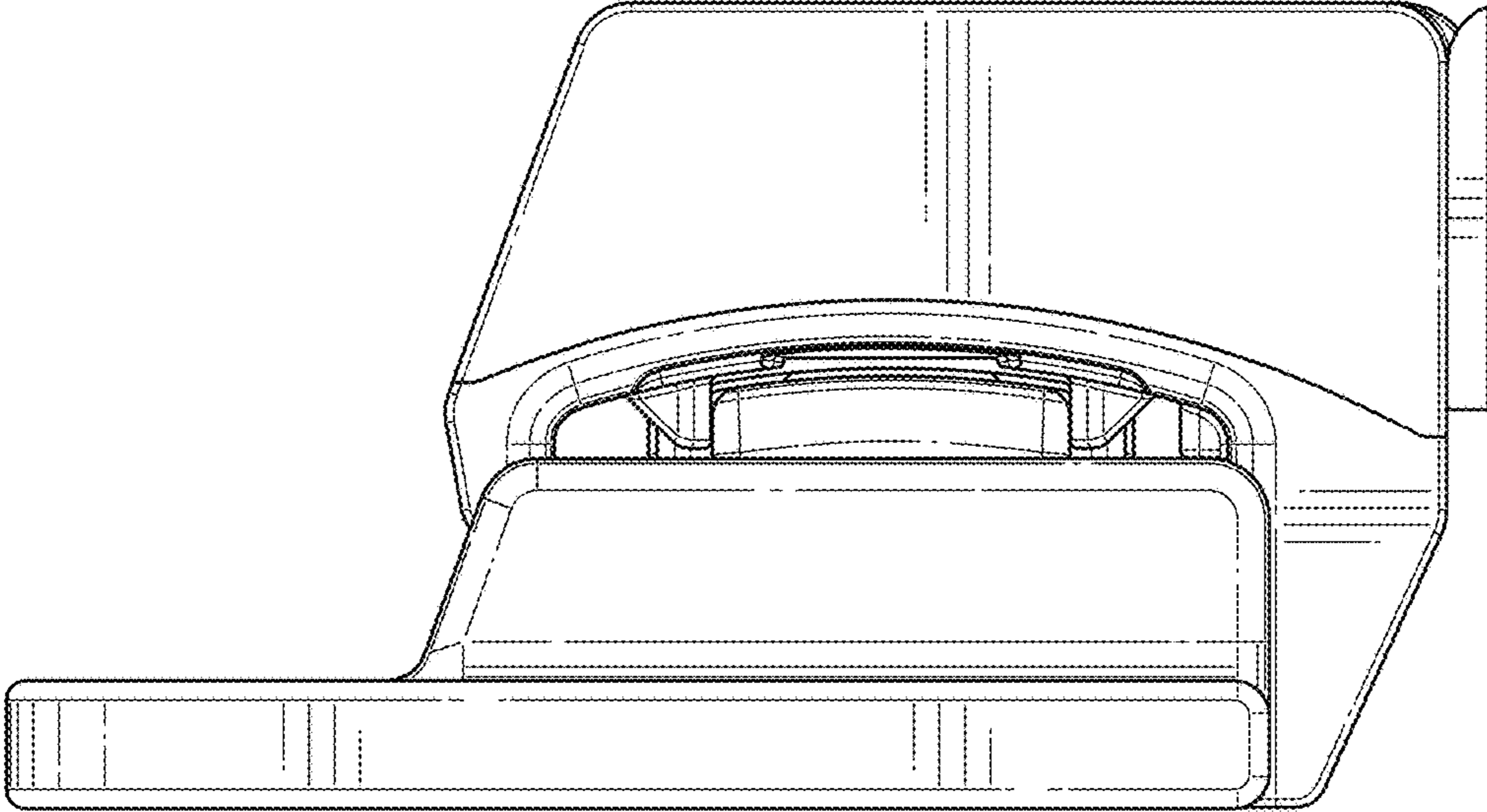


FIG. 23

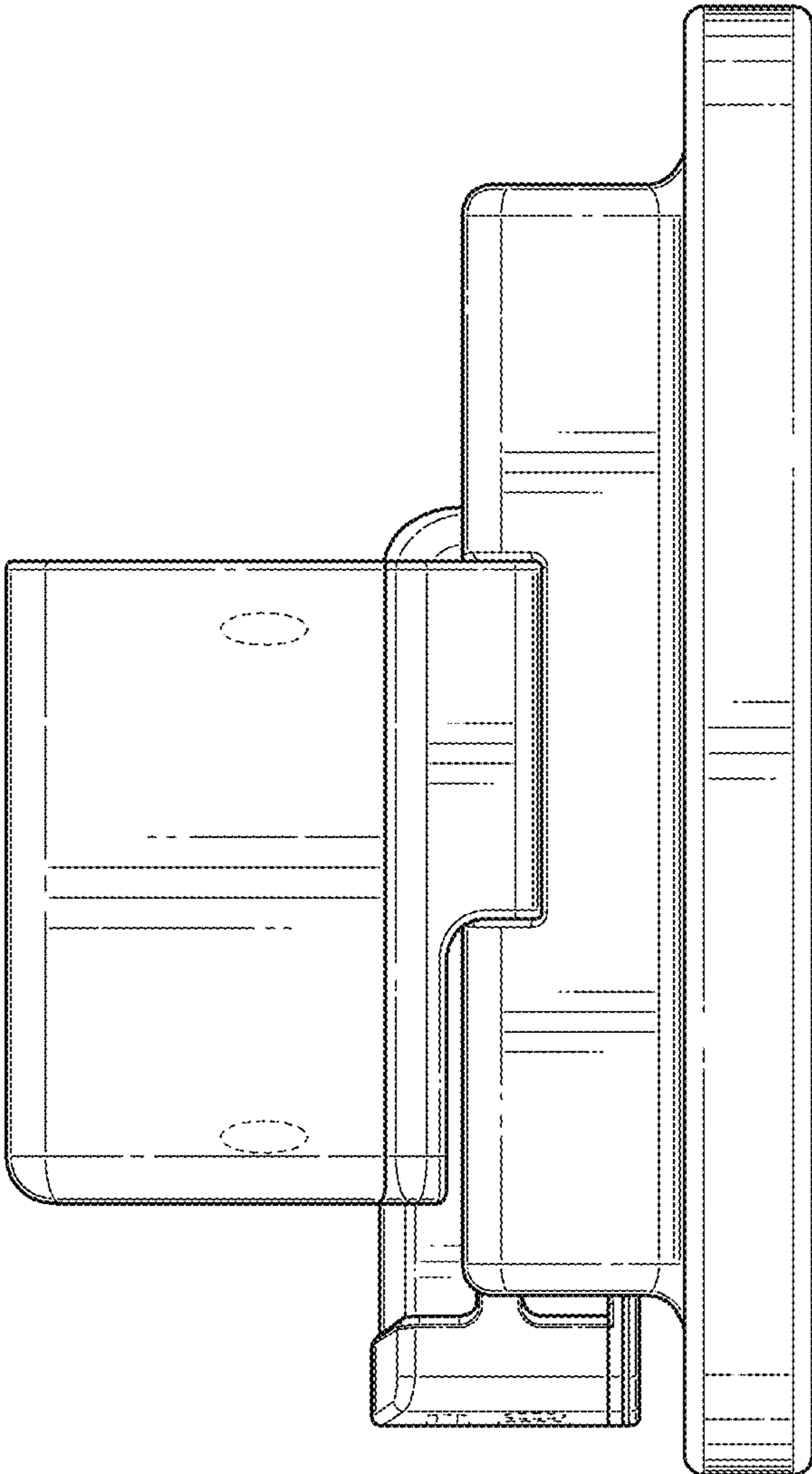


FIG. 24

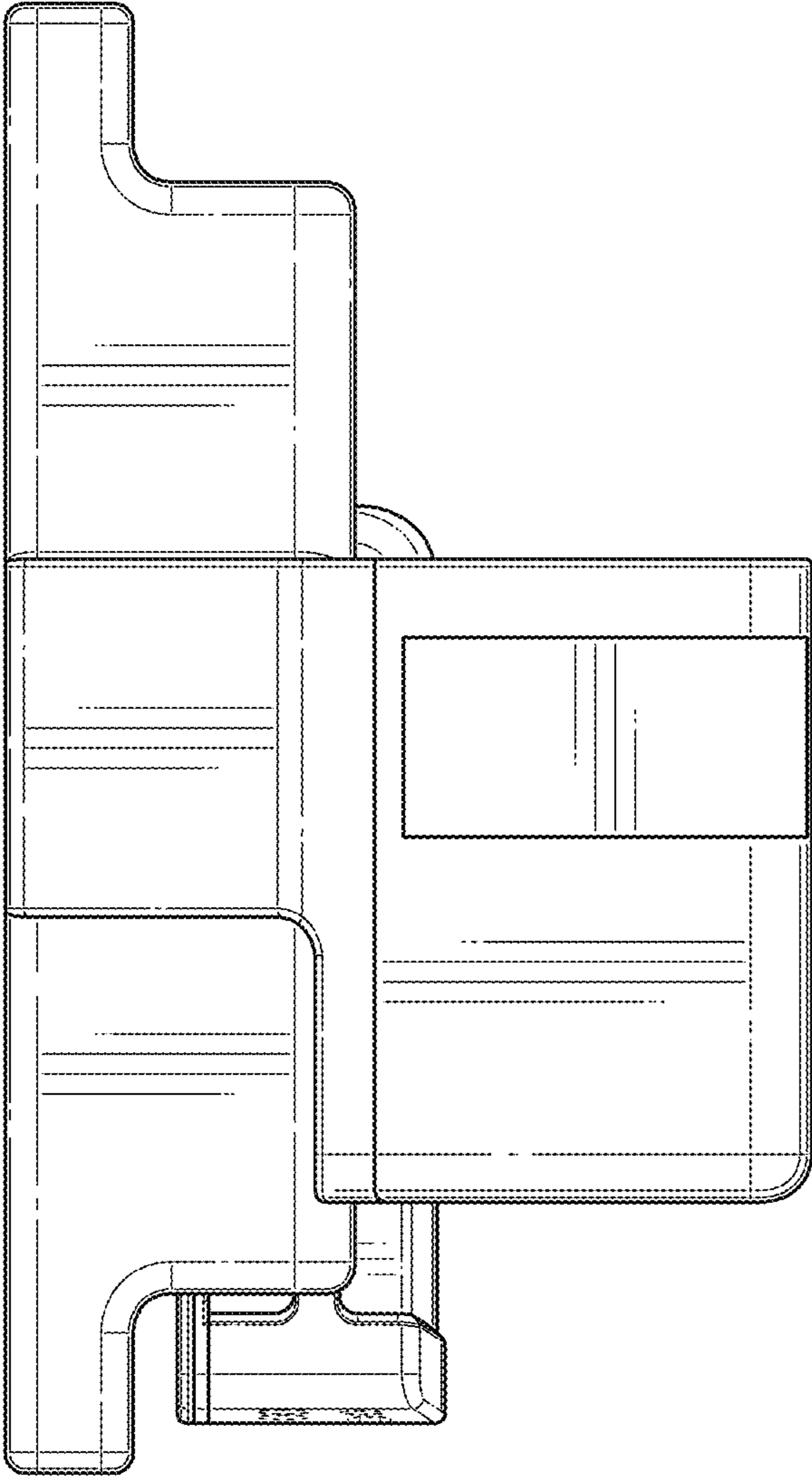


FIG. 25

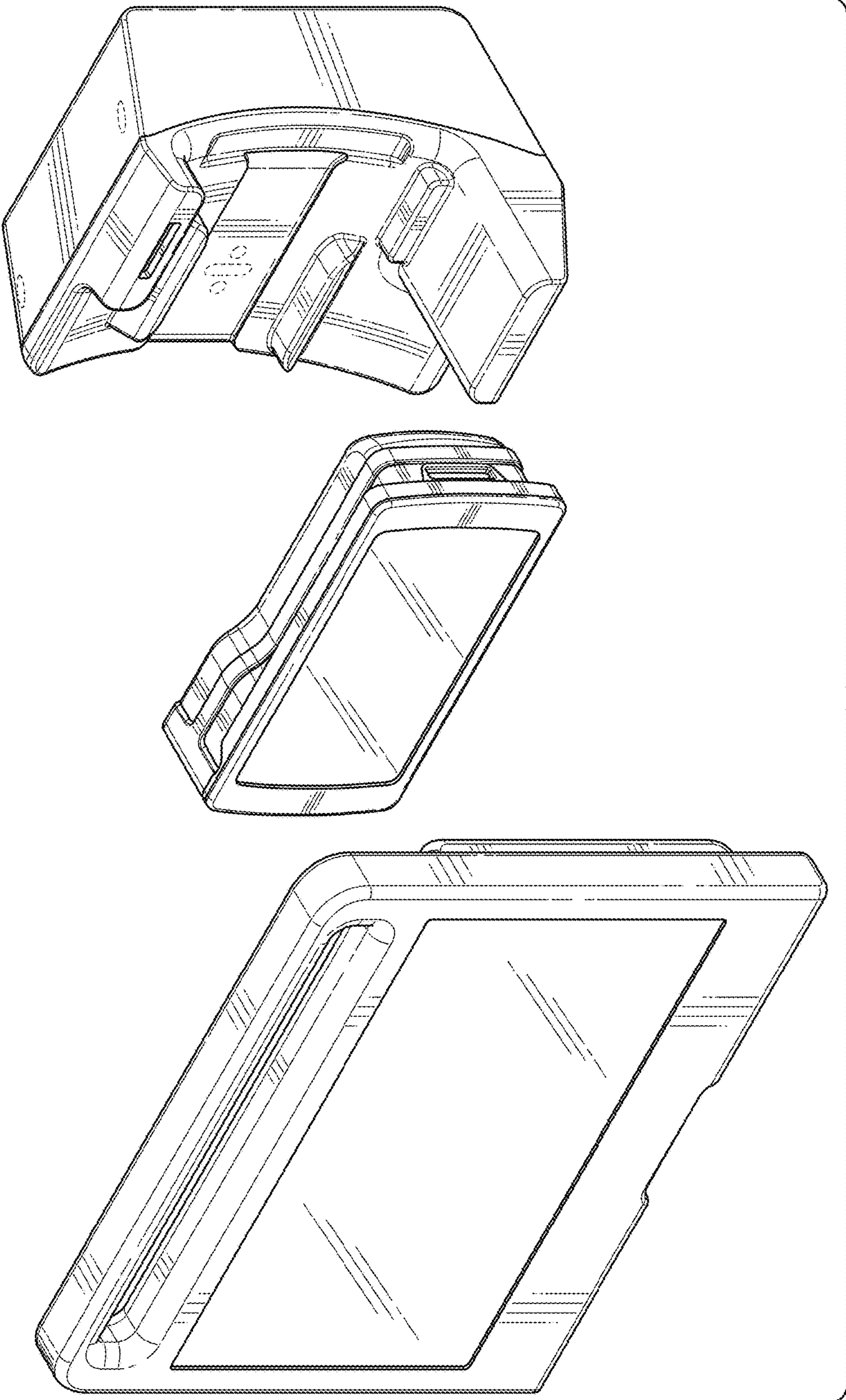


FIG. 26

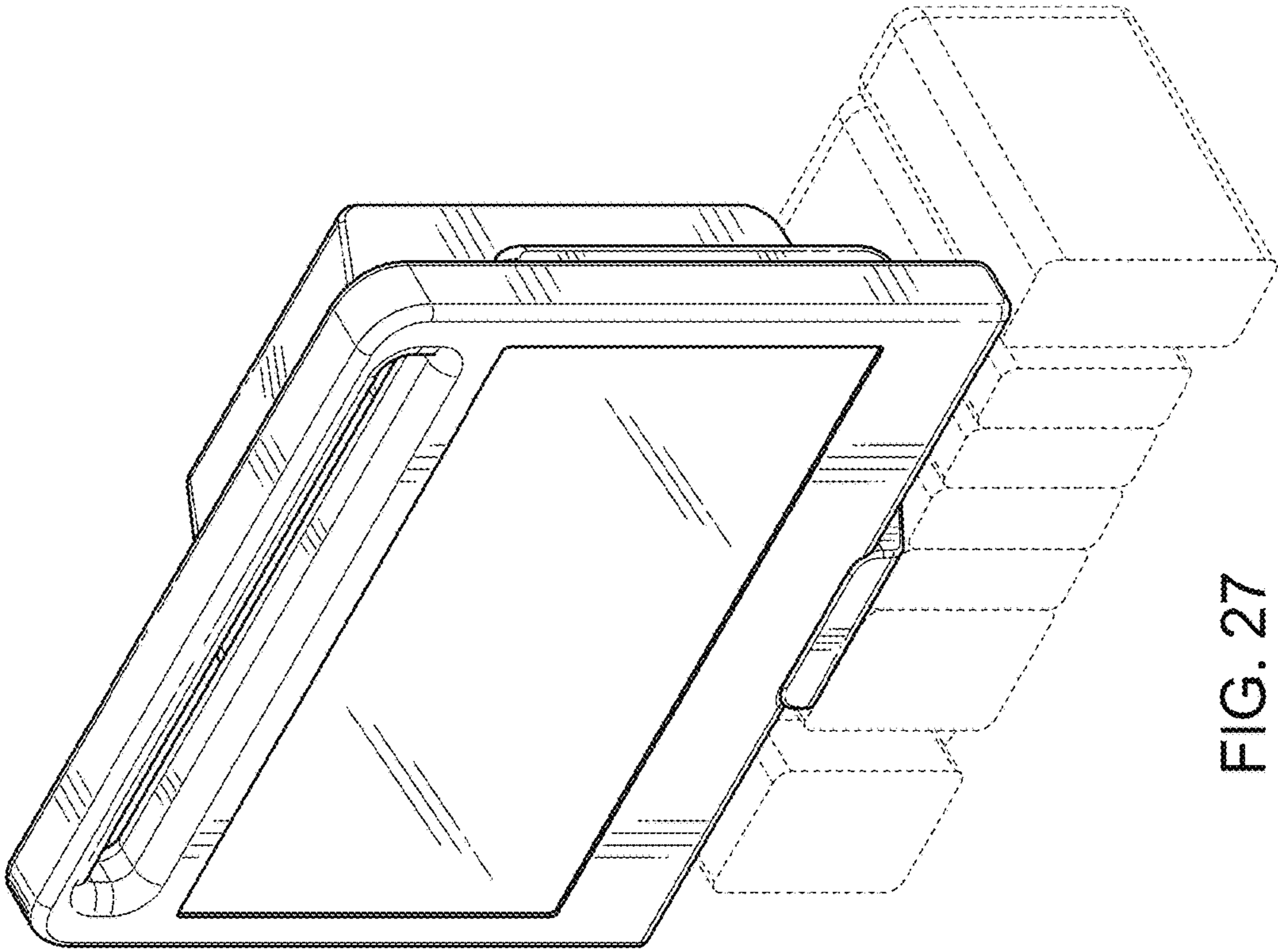


FIG. 27

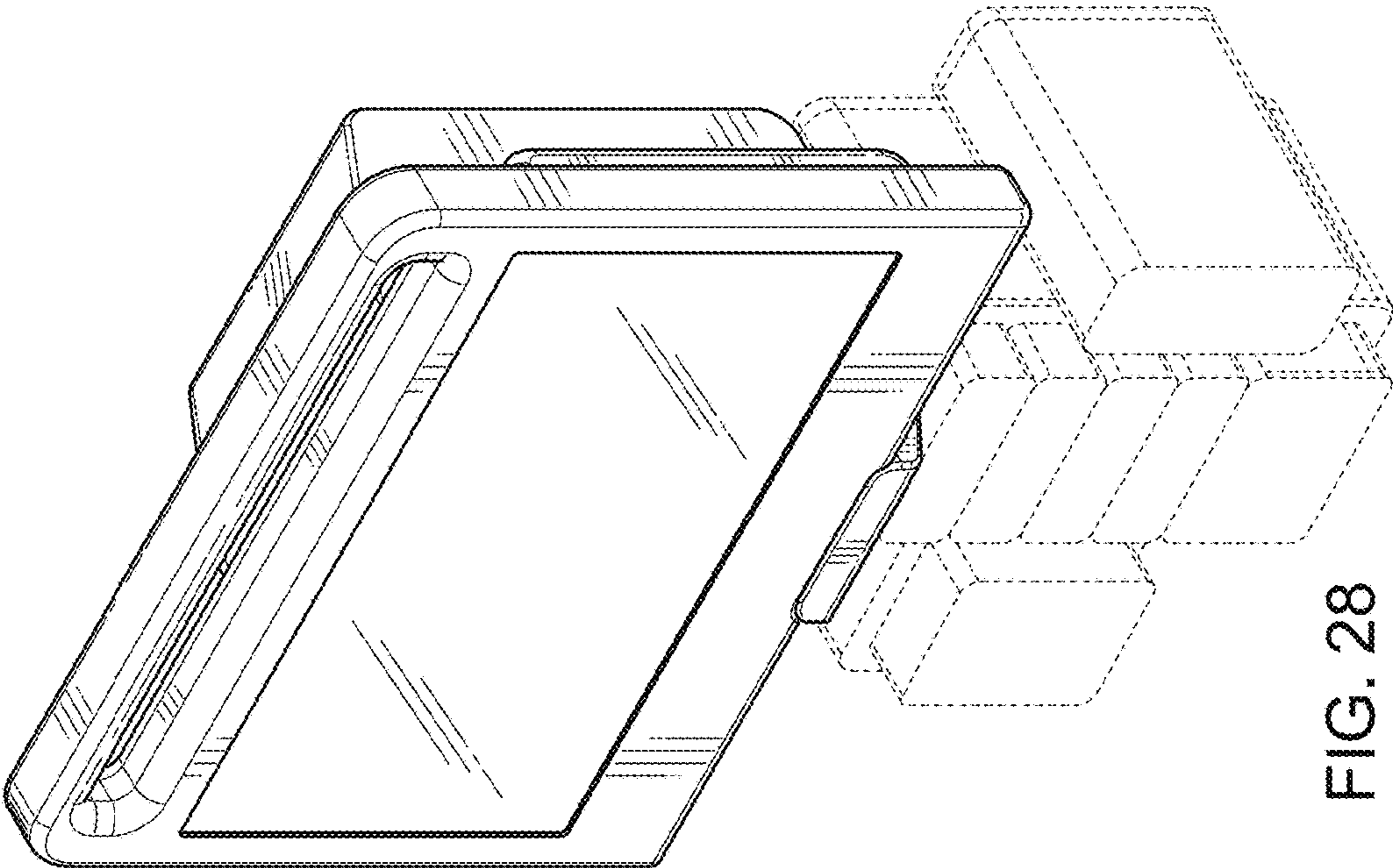


FIG. 28