



US00D807513S

(12) **United States Design Patent**  
**Eslava et al.**

(10) **Patent No.:** **US D807,513 S**  
(45) **Date of Patent:** **\*\* Jan. 9, 2018**

(54) **ELECTRONIC VISUAL DISPLAY SYSTEM**

(71) Applicant: **Draeger Medical Systems, Inc.,**  
Andover, MA (US)

(72) Inventors: **Juan P. Eslava**, Groton, MA (US);  
**Peter A. Lund**, Nashua, NH (US);  
**Thomas Swyst**, Arlington, MA (US)

(73) Assignee: **Draeger Medical Systems, Inc.,**  
Andover, MA (US)

(\*\*) Term: **15 Years**

(21) Appl. No.: **29/589,042**

(22) Filed: **Dec. 27, 2016**

(51) **LOC (11) Cl.** ..... **24-01**

(52) **U.S. Cl.**  
USPC ..... **D24/186**

(58) **Field of Classification Search**  
USPC ..... D24/185, 186, 107; D14/433, 434, 447,  
D14/451, 371, 374, 375, 328, 336, 339,  
D14/340

CPC . A61B 5/0205; A61B 5/02055; A61B 5/0002;  
A61B 5/0006; A61B 5/0008; A61B  
5/002; A61B 5/0022; A61B 2560/0443;  
A61B 2560/045; A61B 2560/0456

See application file for complete search history.

(56) **References Cited**

U.S. PATENT DOCUMENTS

4,715,385 A \* 12/1987 Cudahy ..... A61B 5/0205  
361/679.01  
5,566,676 A \* 10/1996 Rosenfeldt ..... A61B 5/02055  
600/481  
D647,903 S \* 11/2011 McClelland ..... D14/371

D711,003 S \* 8/2014 Chen ..... D24/186  
D733,892 S \* 7/2015 Fries ..... D24/186  
9,153,112 B1 \* 10/2015 Kiani ..... A61B 5/02055  
D748,806 S \* 2/2016 Coonahan ..... D24/186  
D769,872 S \* 10/2016 Swyst ..... D14/371  
D783,835 S \* 4/2017 Schon ..... D24/186  
D784,542 S \* 4/2017 Zwierstra ..... D24/186  
2011/0054268 A1 \* 3/2011 Fidacaro ..... A61B 5/0002  
600/300  
2013/0267861 A1 \* 10/2013 Vassallo ..... A61B 5/0816  
600/532  
2014/0159921 A1 \* 6/2014 Qualey ..... A61B 5/7445  
340/870.09

\* cited by examiner

*Primary Examiner* — Anhdao Doan

(74) *Attorney, Agent, or Firm* — Jones Day

(57) **CLAIM**

The ornamental design for an electronic visual display system, as shown and described.

**DESCRIPTION**

FIG. 1 is a front perspective view of an electronic visual display system;

FIG. 2 is a back perspective view thereof;

FIG. 3 is a front view thereof;

FIG. 4 is a back view thereof;

FIG. 5 is a first side view thereof;

FIG. 6 is a second side view thereof;

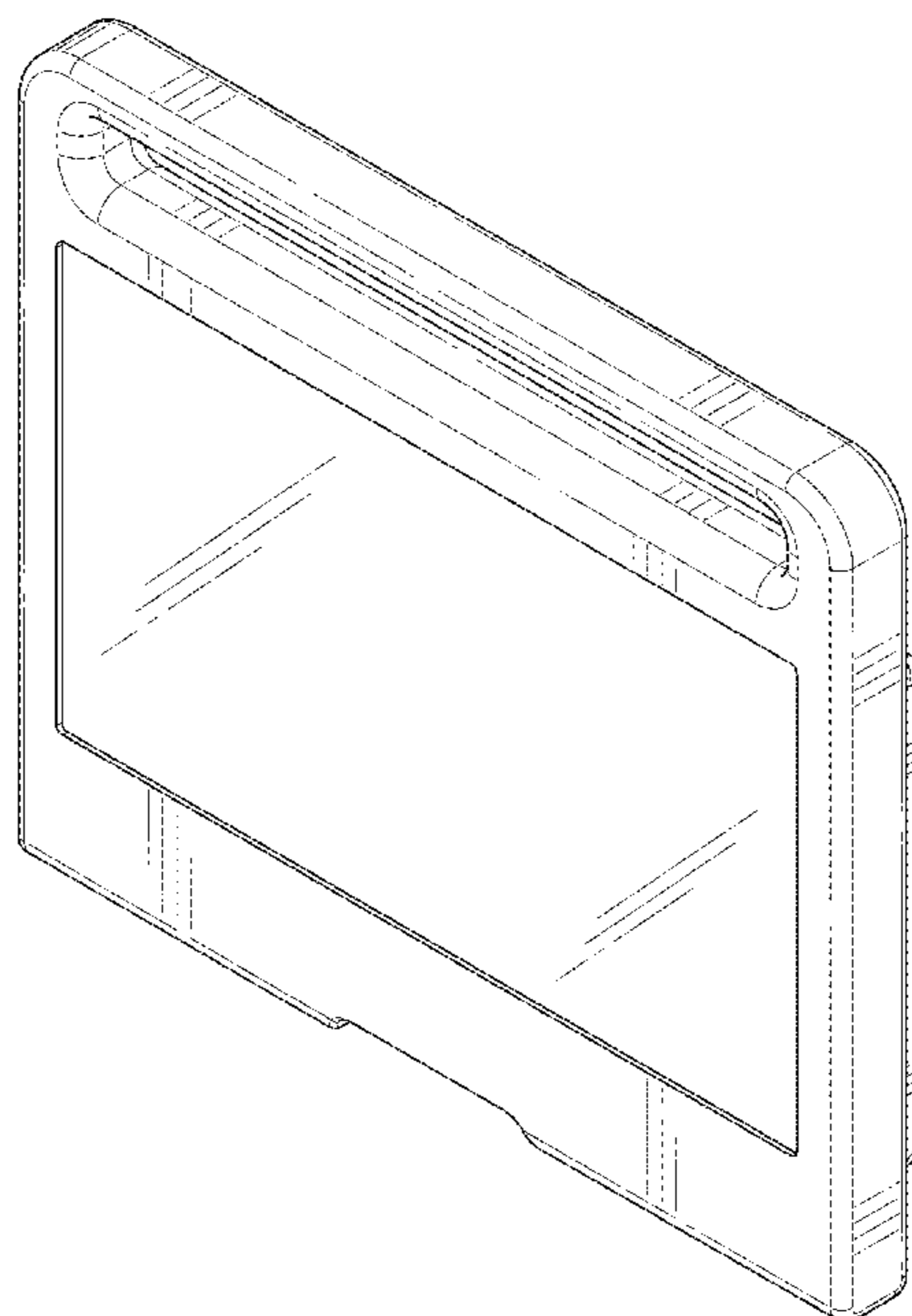
FIG. 7 is a top view thereof;

FIG. 8 is a bottom view thereof; and,

FIG. 9 is an exploded perspective view thereof.

The broken lines immediately adjacent to the shaded areas represent the boundaries of the claim, and other broken lines represent the environment. The broken lines form no part of the claimed design.

**1 Claim, 9 Drawing Sheets**



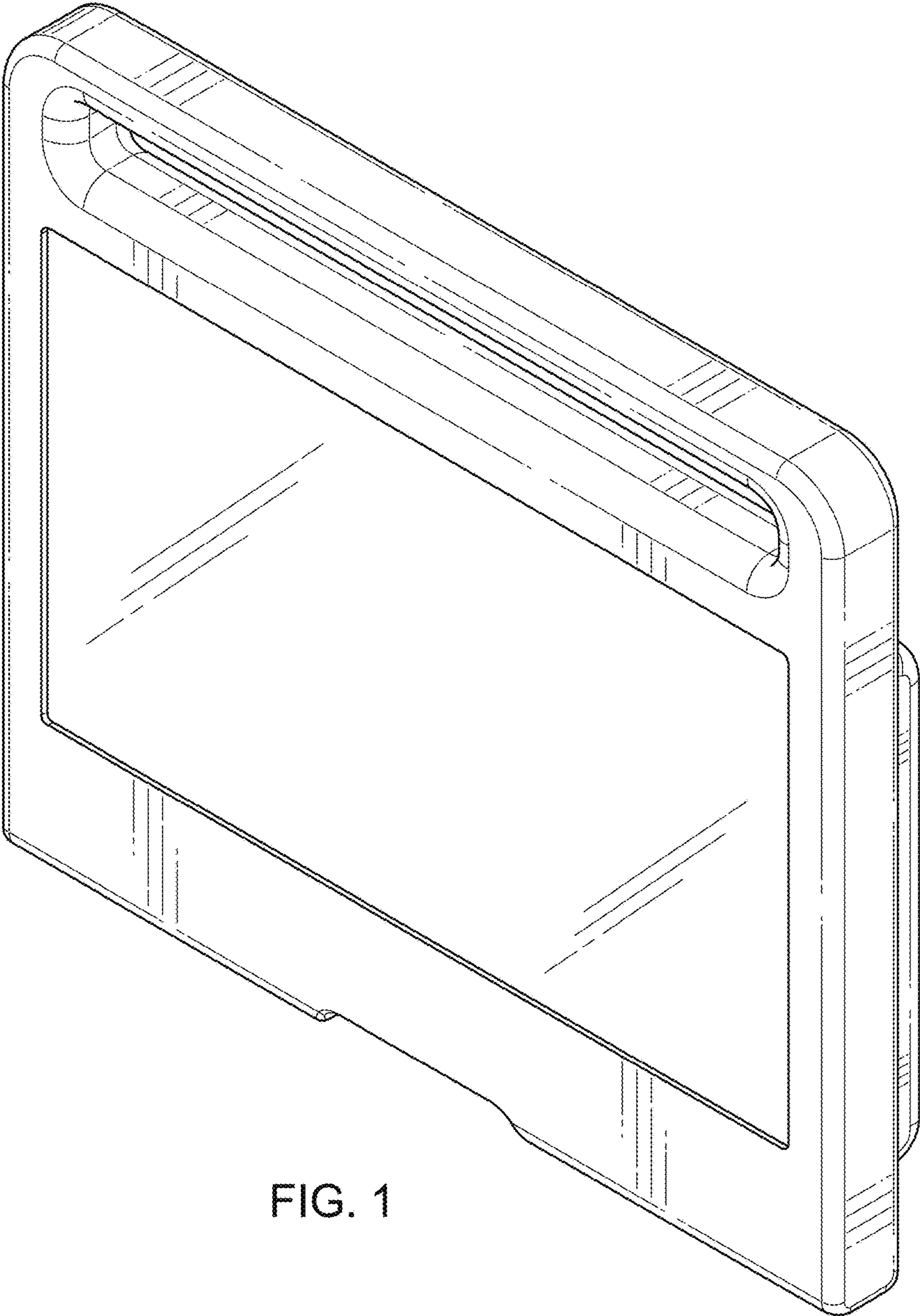


FIG. 1

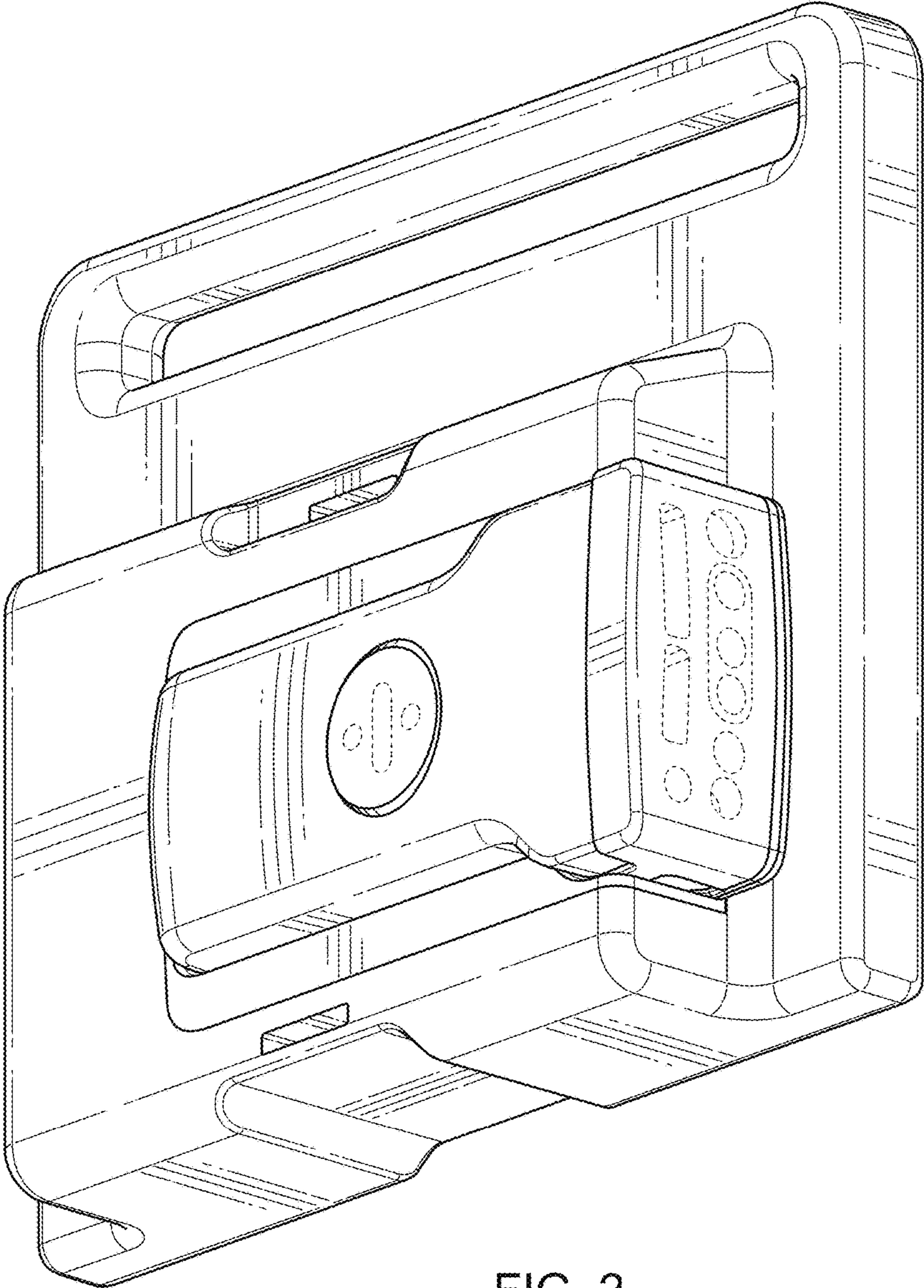


FIG. 2

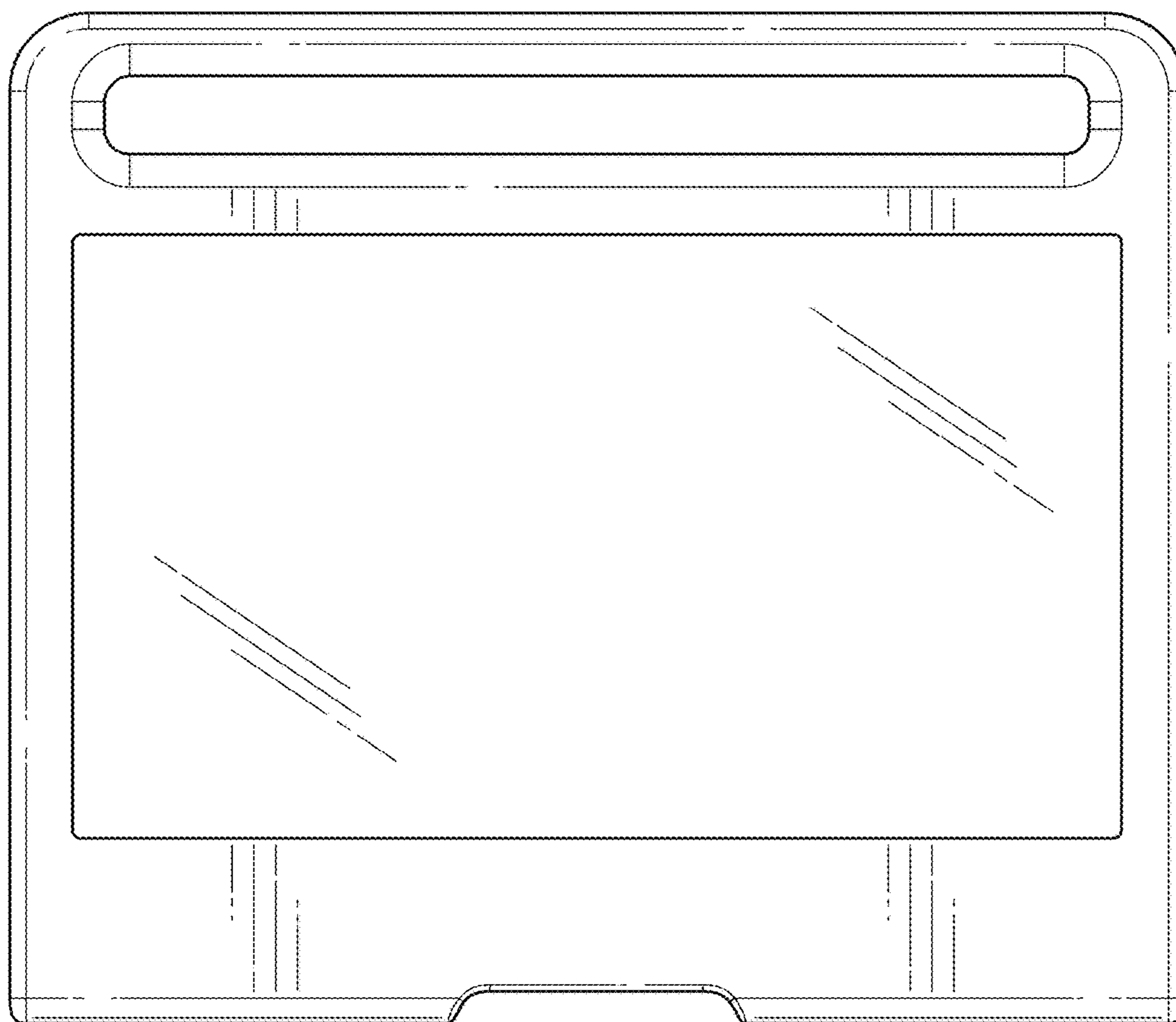


FIG. 3

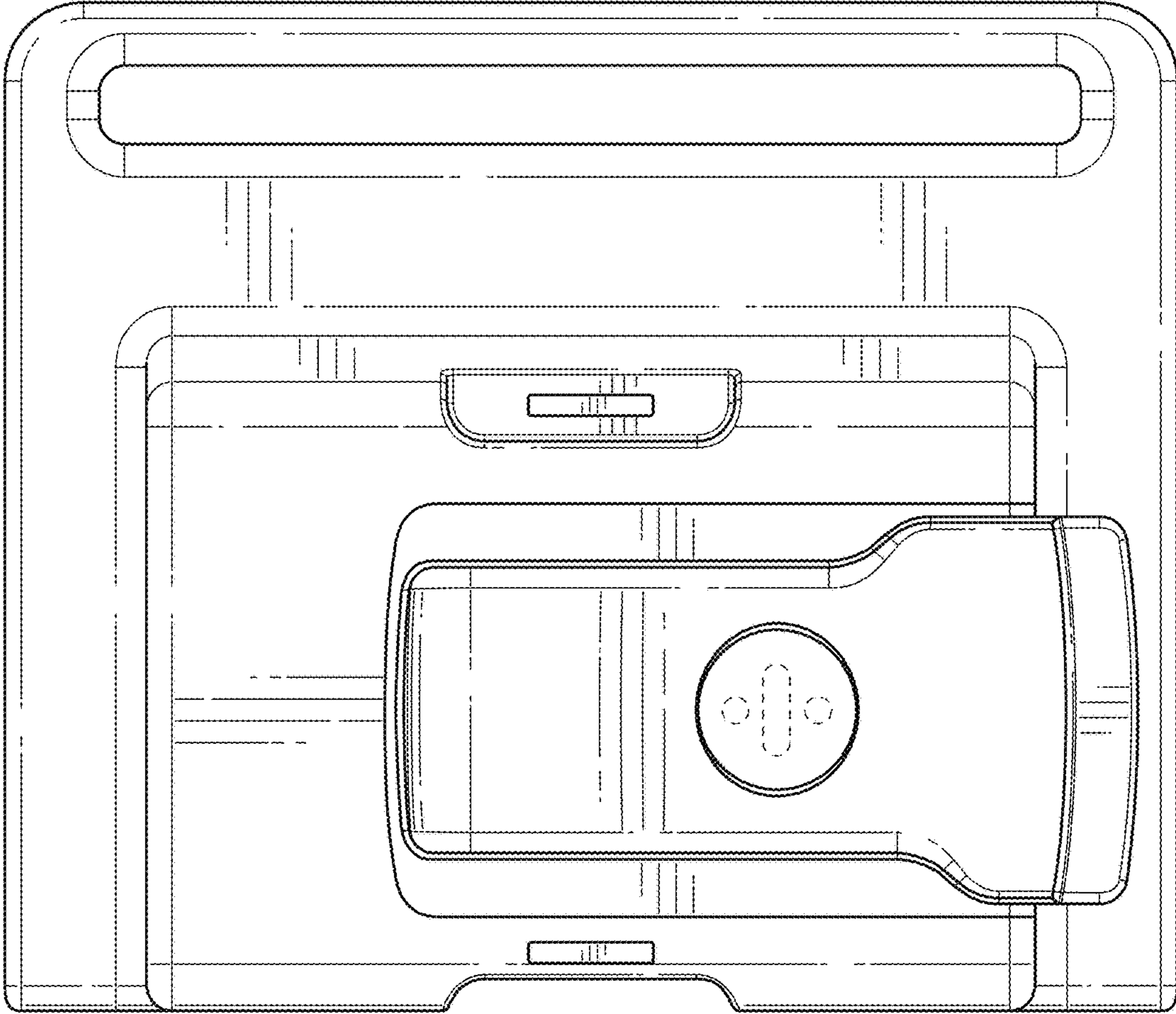


FIG. 4

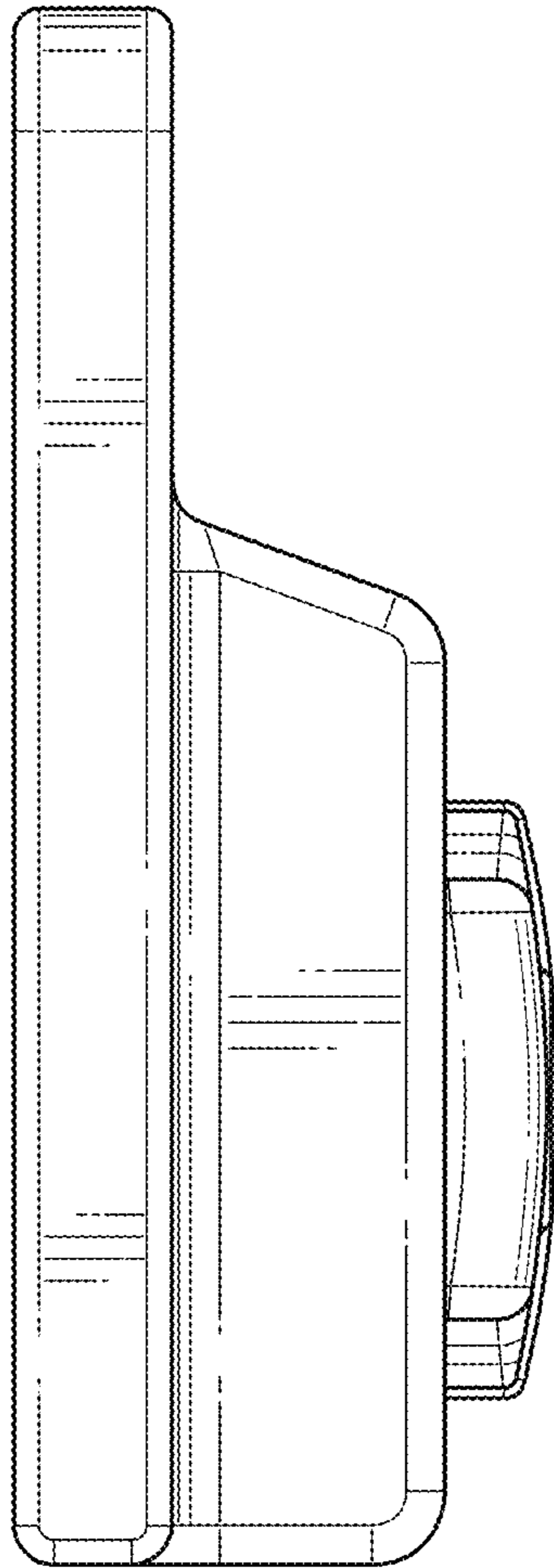


FIG. 5

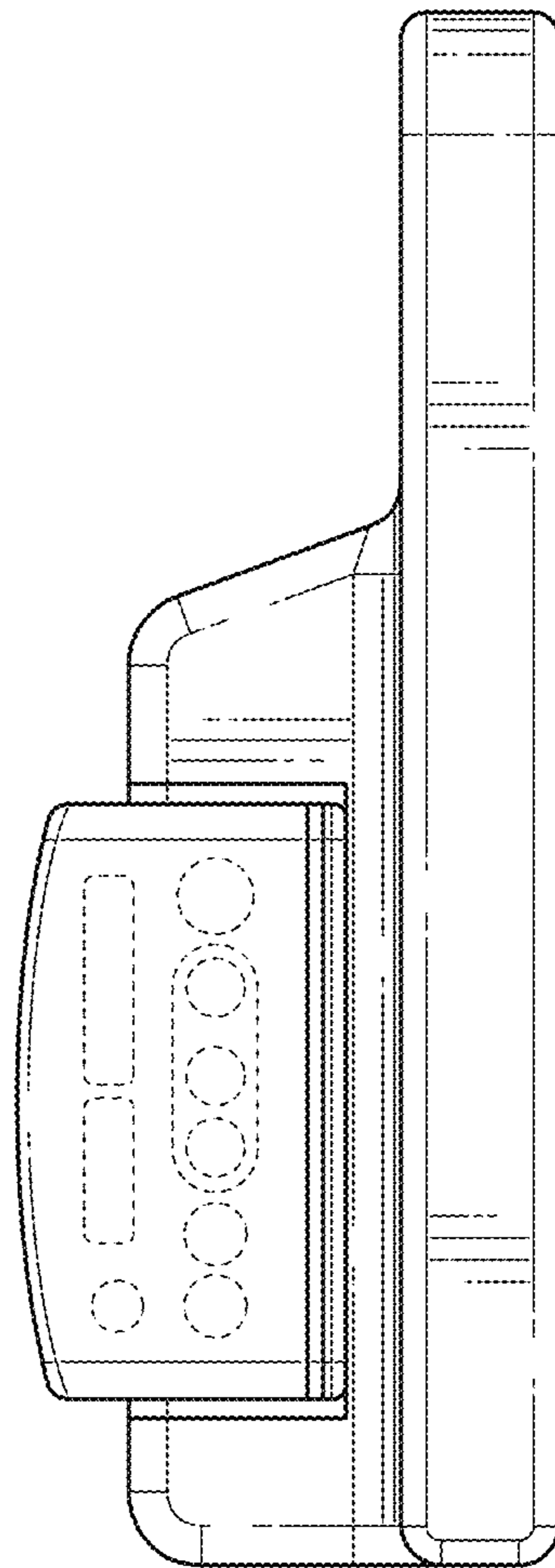


FIG. 6

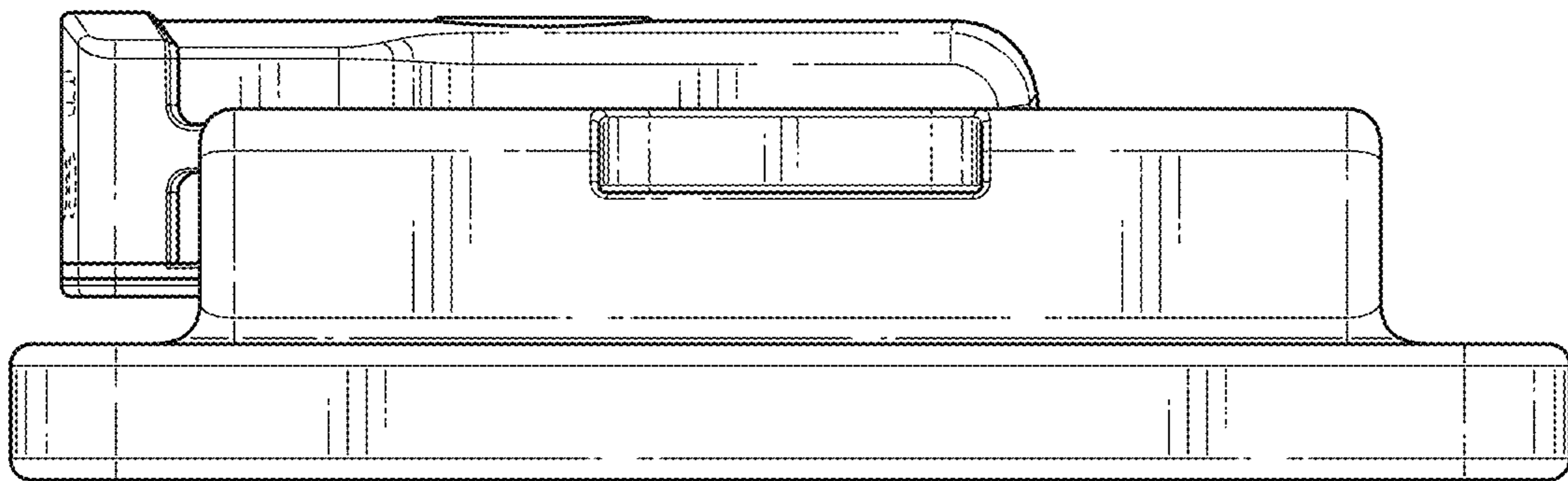


FIG. 7



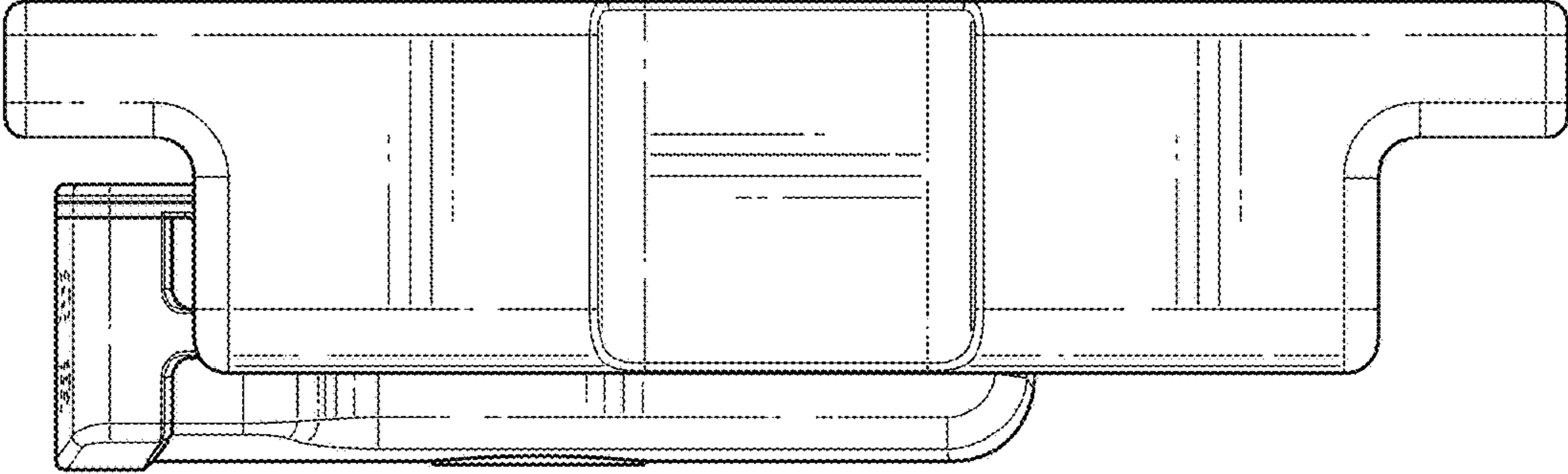


FIG. 8

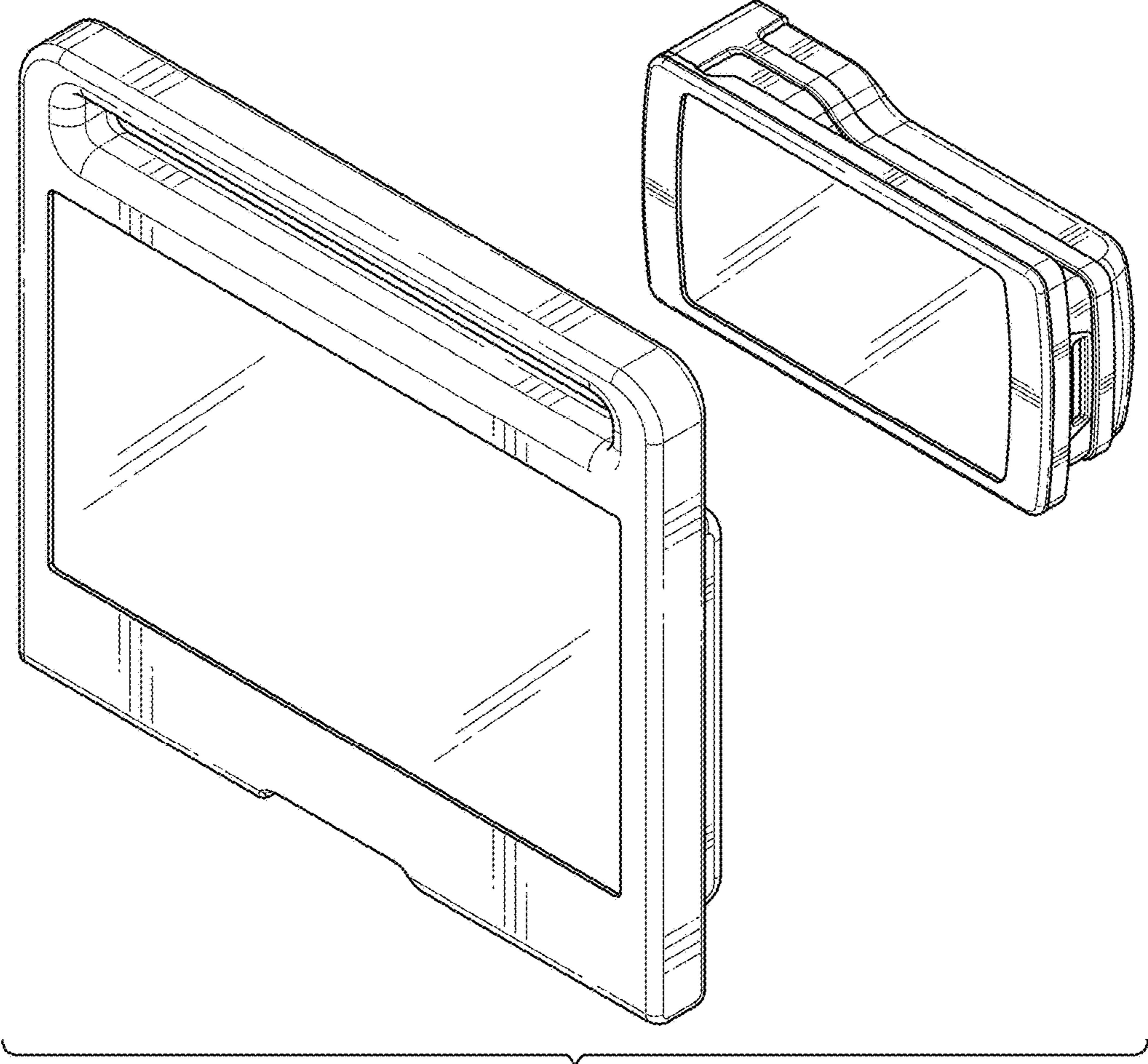


FIG. 9