



US00D807512S

(12) **United States Design Patent**
Räsänen

(10) **Patent No.:** **US D807,512 S**

(45) **Date of Patent:** **** Jan. 9, 2018**

(54) **SLEEP MONITOR**

(71) Applicant: **EMFIT OY**, Vaajakoski (FI)

(72) Inventor: **Heikki Räsänen**, Muurame (FI)

(73) Assignee: **EMFIT OY**, Vaajakoski (FI)

(**) Term: **15 Years**

(21) Appl. No.: **29/527,699**

(22) Filed: **May 21, 2015**

(30) **Foreign Application Priority Data**

Nov. 21, 2014 (FI) M20140166

(51) **LOC (11) Cl.** **24-02**

(52) **U.S. Cl.**
USPC **D24/186**

(58) **Field of Classification Search**
USPC D24/165–168, 186, 187, 200, 231;
D10/70

CPC . A61B 5/6814; A61B 5/0205; A61B 5/02055;
A61B 5/02405; A61B 5/02444; A61B
5/4809; A61B 5/1102; A61G 2203/36

See application file for complete search history.

(56) **References Cited**

U.S. PATENT DOCUMENTS

D297,461 S * 8/1988 Inoue D24/168

4,974,594 A * 12/1990 Berlin A61B 5/0408
439/258

6,298,255 B1 * 10/2001 Cordero A61B 5/04085
600/372

D605,305 S * 12/2009 Carter D24/231

D663,430 S * 7/2012 Rapp D24/186
D718,867 S * 12/2014 Schroderus D24/167
D718,868 S * 12/2014 Schroderus D24/167
2007/0249952 A1 * 10/2007 Rubin A61B 5/6814
600/544
2011/0125040 A1 * 5/2011 Crawford A61B 5/684
600/509
2014/0371635 A1 * 12/2014 Shinar A61B 5/6891
600/595

* cited by examiner

Primary Examiner — Anhdao Doan

(74) *Attorney, Agent, or Firm* — FisherBroyles, LLP;
Robert Kinberg

(57) **CLAIM**

The ornamental design for a sleep monitor, as shown and described.

DESCRIPTION

FIG. 1 is a top, front, right perspective view of the sleep monitor of FIG. 1, with a card inserted therein, in accordance with an embodiment of the invention;

FIG. 2 is a front view of the sleep monitor of FIG. 1;

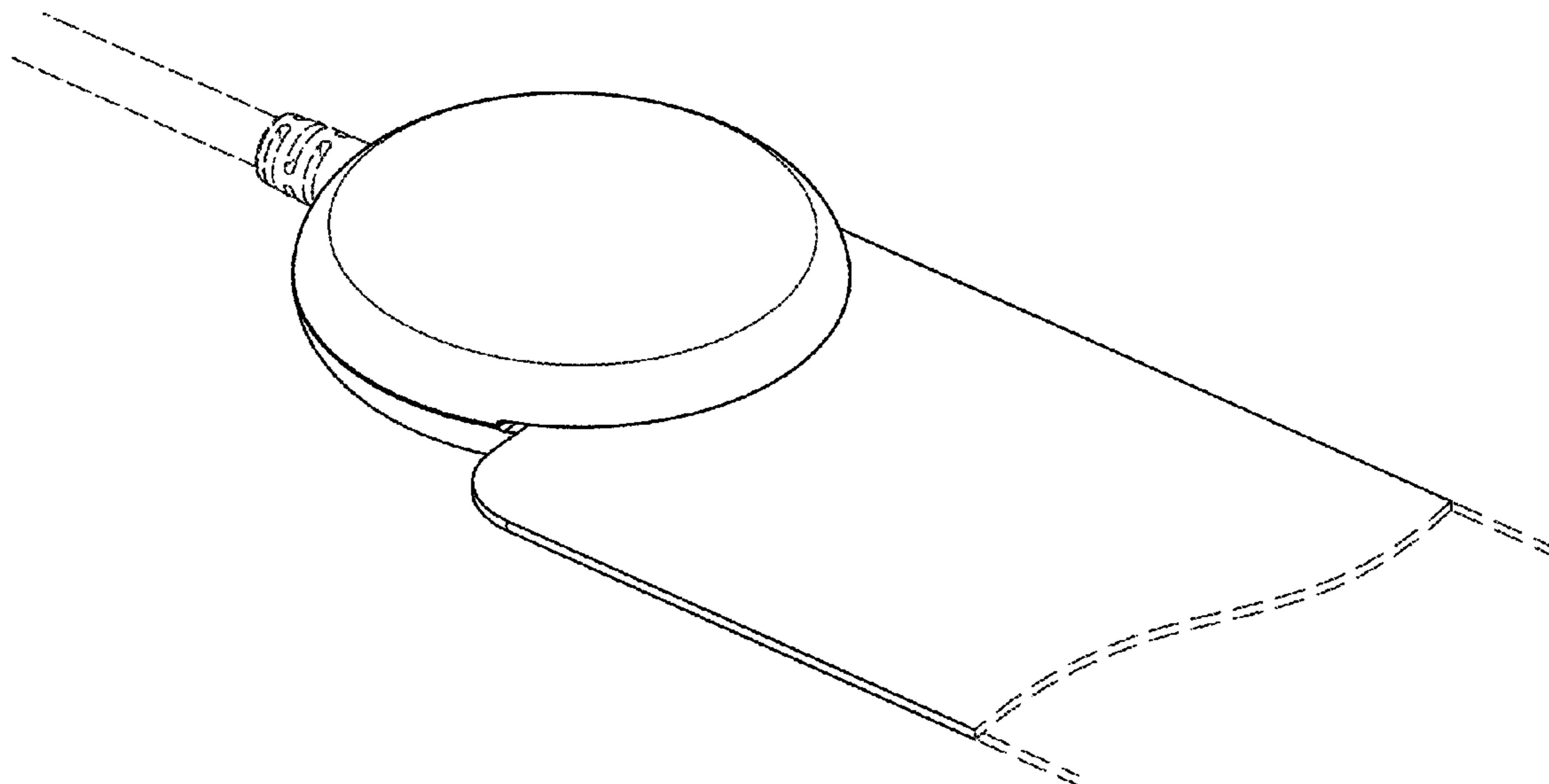
FIG. 3 is a left side view of the sleep monitor of FIG. 1;

FIG. 4 is a top, right, rear perspective of the sleep monitor of FIG. 1; and,

FIG. 5 is a rear view of the sleep monitor of FIG. 1.

The broken lines in the drawings illustrate cord and gasket interface portions of the sleep monitor which form no part of the claimed design. The wavy broken lines at the end of the card represent the boundary of the claim.

1 Claim, 5 Drawing Sheets



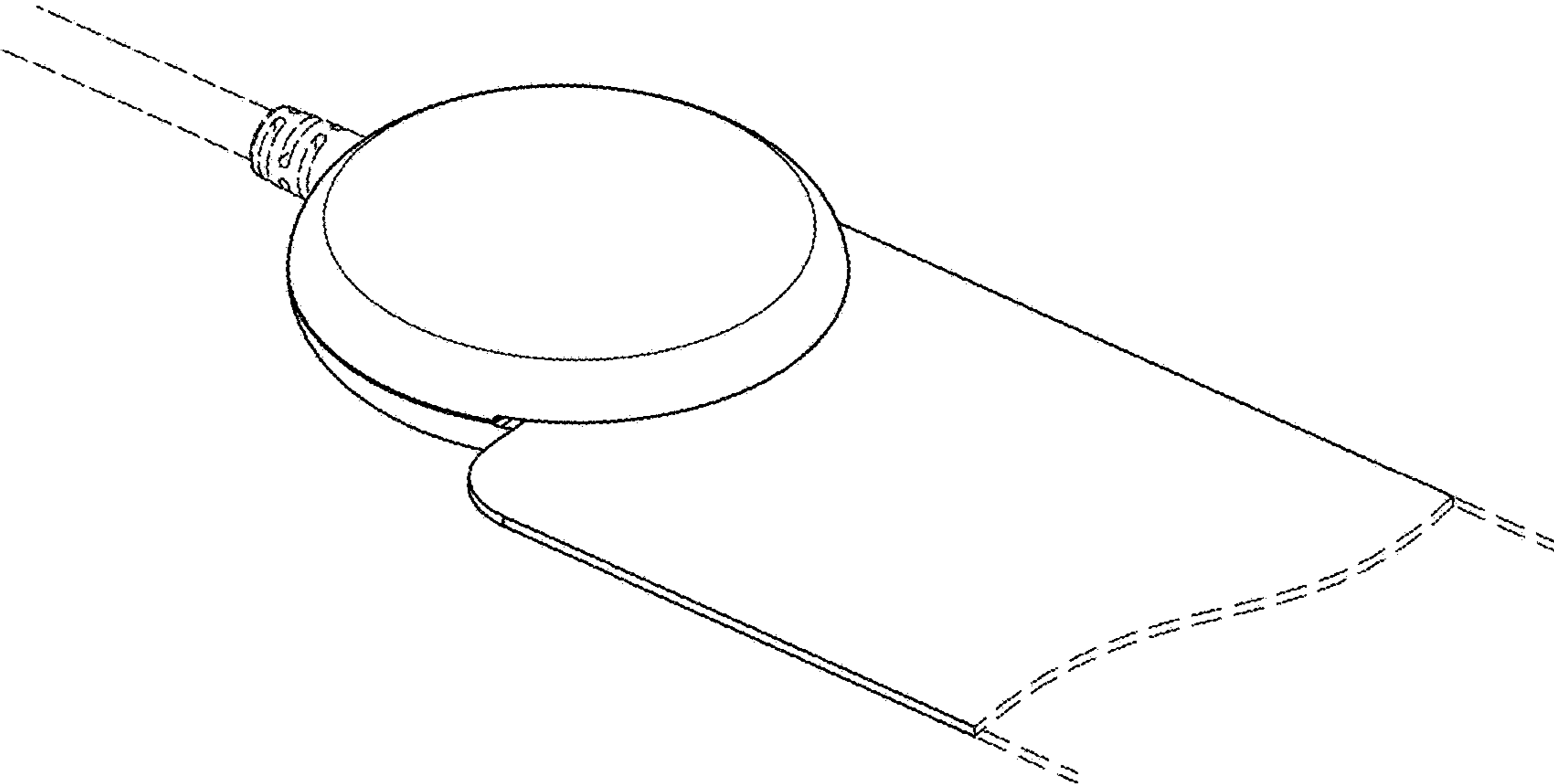


FIG. 1

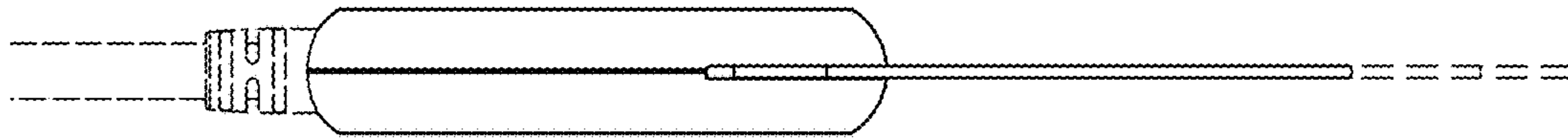


FIG. 2

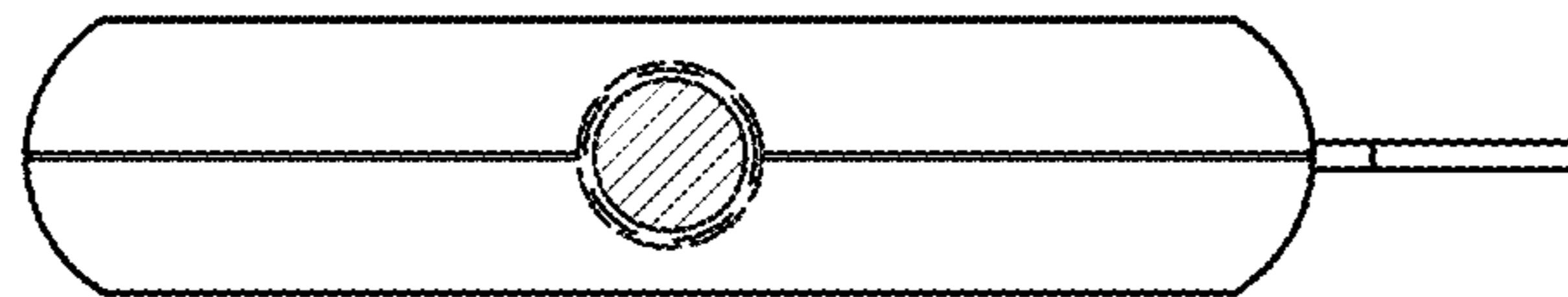


FIG. 3

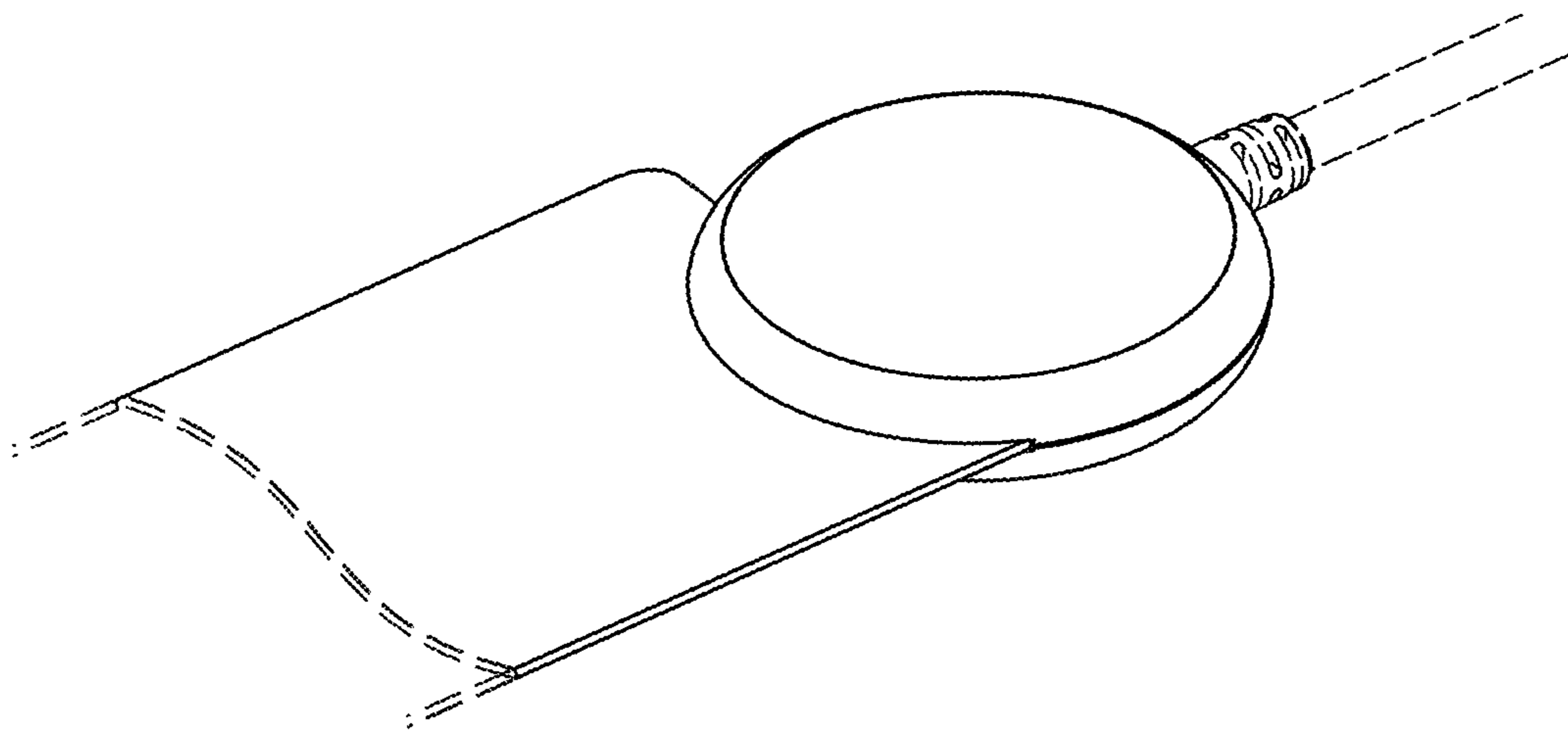


FIG. 4

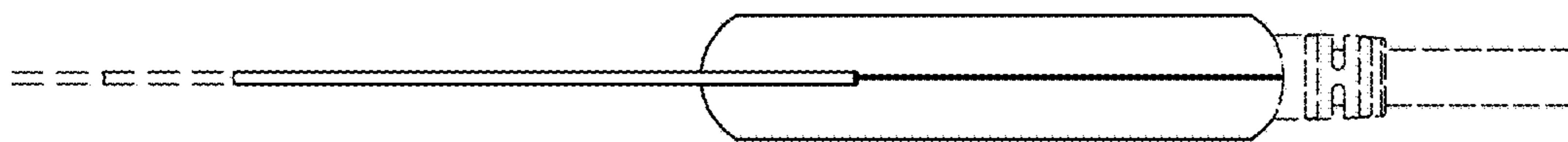


FIG. 5