

US00D807511S

(12) **United States Design Patent**
Auyoung

(10) **Patent No.:** **US D807,511 S**
(45) **Date of Patent:** **** Jan. 9, 2018**

(54) **MULTI-PORT HUB FOR INFLATABLE BONE TAP**

(71) Applicant: **Kyphon SÀRL**, Neuchatel (CH)

(72) Inventor: **Bryan Auyoung**, Santa Clara, CA (US)

(73) Assignee: **Kyphon SÀRL**, Neuchâtel (CH)

(**) Term: **15 Years**

(21) Appl. No.: **29/540,097**

(22) Filed: **Sep. 21, 2015**

(51) **LOC (11) Cl.** **24-00**

(52) **U.S. Cl.**
USPC **D24/171**

(58) **Field of Classification Search**
USPC D24/171, 129, 167, 155; 606/90;
600/206; 604/102.01, 175; 601/135
CPC A61H 23/0263; A61M 39/0208; A61B
18/18; A61B 17/0293; A61B 17/8855;
A61B 17/004

See application file for complete search history.

(56) **References Cited**

U.S. PATENT DOCUMENTS

- 3,672,355 A * 6/1972 Ogawa A61H 23/0263
601/135
- 4,601,701 A 7/1986 Mueller
- 5,167,638 A * 12/1992 Felix A61M 39/0208
604/175
- 5,181,508 A 1/1993 Poole
- 5,545,137 A * 8/1996 Rudie A61B 18/18
604/102.01
- D449,106 S * 10/2001 Madsen D24/129
- D449,107 S * 10/2001 Madsen D24/129
- D453,221 S 1/2002 Haytman et al.
- D519,632 S 4/2006 Bayron et al.
- D665,087 S * 8/2012 Smith D24/167
- 8,480,575 B2 * 7/2013 Albrecht A61B 17/0293
600/206
- D692,562 S * 10/2013 Hess D24/171

- 8,926,620 B2 * 1/2015 Chasmawala A61B 17/8855
606/90
- 9,254,157 B2 * 2/2016 Mafi A61B 17/8855
- 9,370,384 B2 * 6/2016 Mitchell A61B 17/7004
- D780,313 S * 2/2017 DaCosta D24/155
- 9,730,746 B2 * 8/2017 Auyoung A61B 17/8855

FOREIGN PATENT DOCUMENTS

CA	64016	8/1989
JP	1126181	11/2001
JP	1135886	3/2002
JP	1198575	3/2004

(Continued)

OTHER PUBLICATIONS

Broennimann, Benedict, Blanchard, Alec, 1.*3. Trocars; 4. Trocar mandrin; 5. Trocar cover, DM/077061, Oct. 17, 2011, 4 pages, Hague Registration, <http://www.wipo.int/designdb/hague/en/>.

Primary Examiner — Rhea Shields

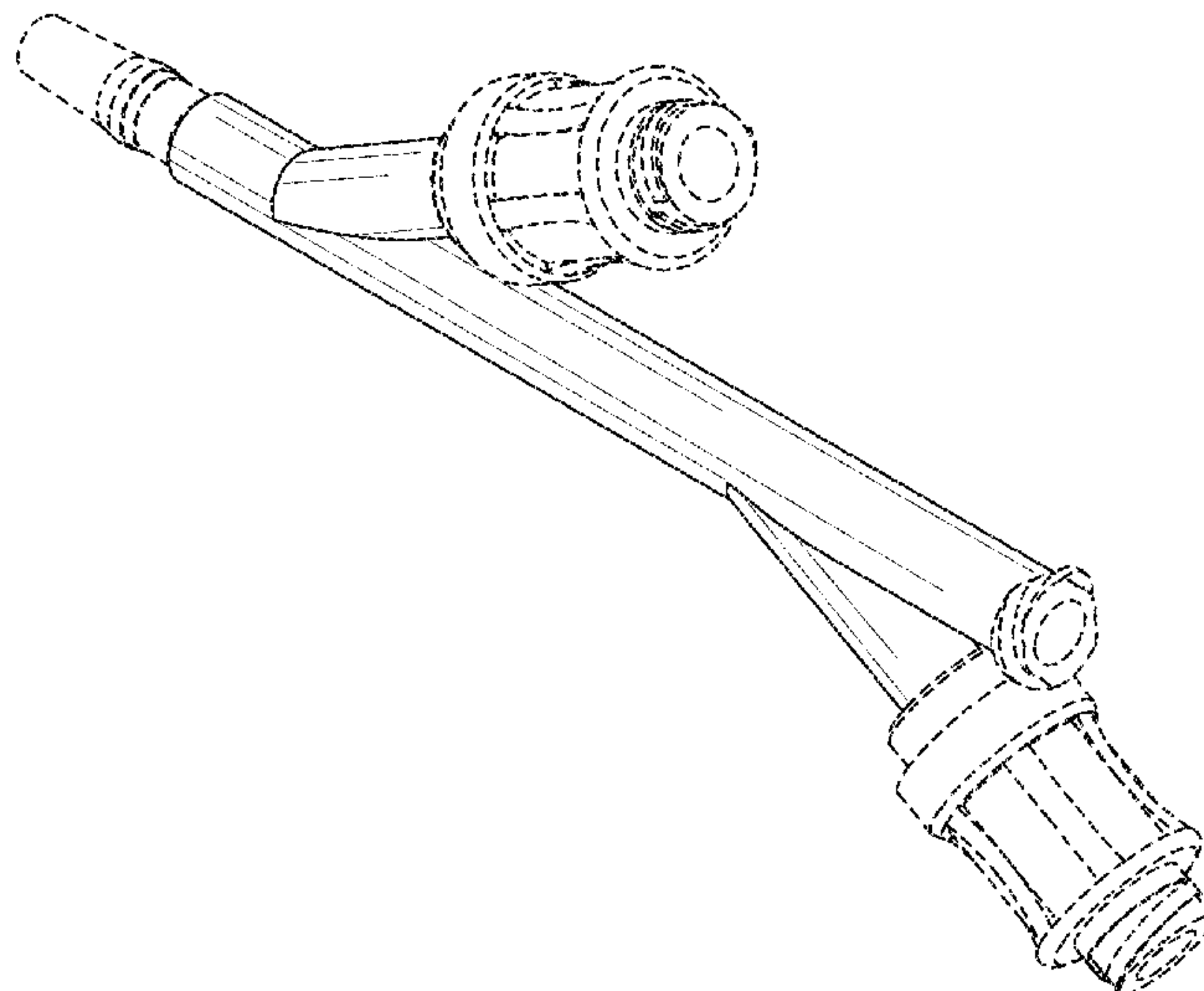
(57) **CLAIM**

The ornamental design for a multi-port hub for inflatable bone tap, as shown and described.

DESCRIPTION

FIG. 1 is a left-rear elevational view of a multi-port hub for inflatable bone tap.
FIG. 2 is a left side view thereof.
FIG. 3 is a right side view thereof.
FIG. 4 is a bottom plan view thereof.
FIG. 5 is a top plan view thereof.
FIG. 6 is a front view thereof; and,
FIG. 7 is a rear view thereof.
In the drawings, the broken lines are for the purpose of illustrating environment only and form no part of the claimed design.

1 Claim, 6 Drawing Sheets



(56)

References Cited

FOREIGN PATENT DOCUMENTS

JP	1198576	3/2004
JP	1198577	3/2004
JP	1198846	3/2004
JP	1245398	7/2005
JP	1245678	7/2005
JP	1245679	7/2005
JP	12454399	7/2005
JP	1254701	10/2005
JP	1285503	11/2006
JP	1369514	9/2009
JP	1369690	9/2009
JP	1369691	9/2009
JP	1380414	2/2010
JP	1415927	6/2011
JP	1439183	4/2012
JP	1439184	4/2012
JP	1439185	4/2012
JP	1439186	4/2012
JP	1439305	4/2012
JP	1439306	4/2012
JP	1468799	5/2013
JP	1494130	4/2014
JP	1494518	4/2014
JP	1525638	6/2015
JP	1527616	6/2015

* cited by examiner

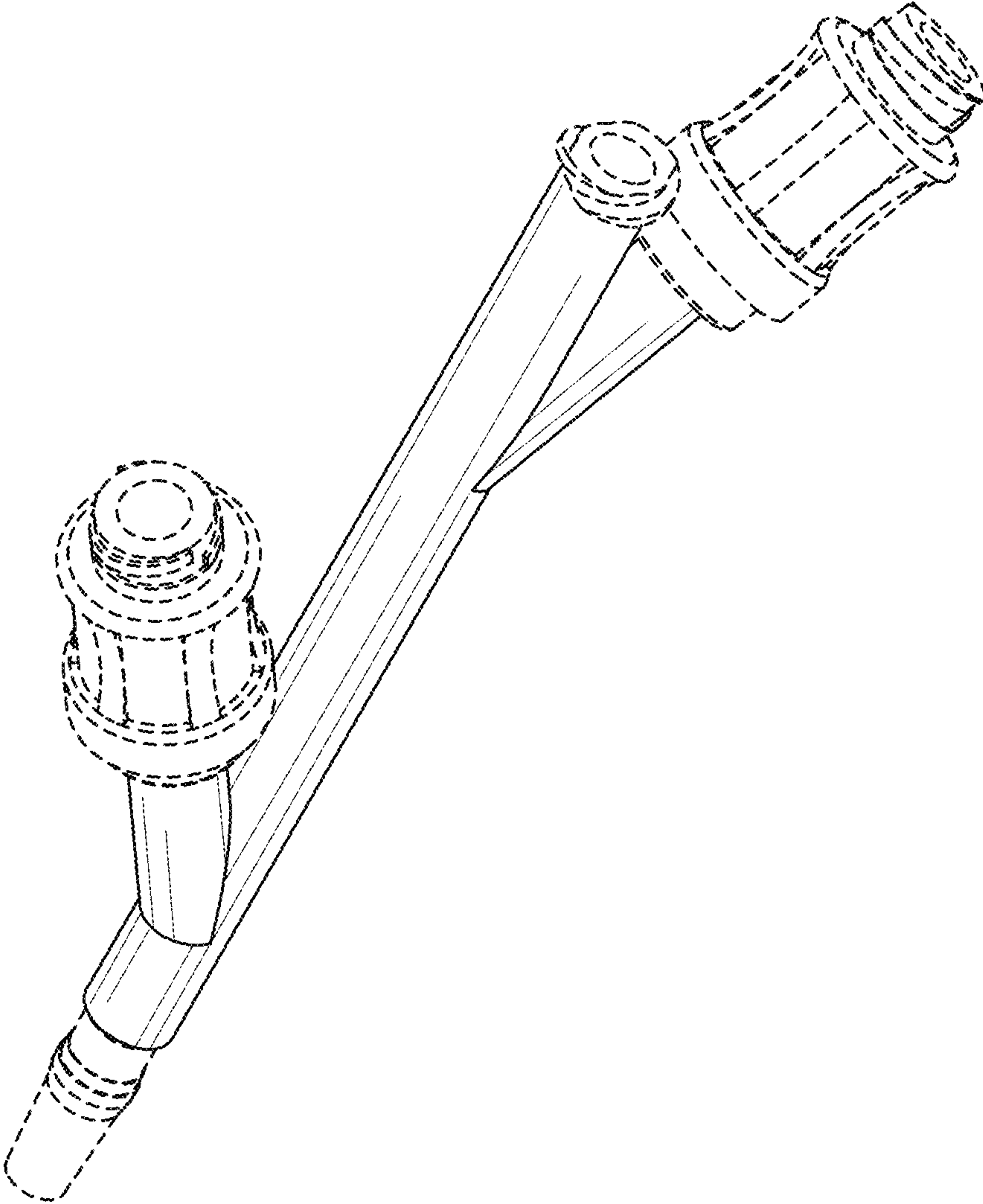


FIG. 1

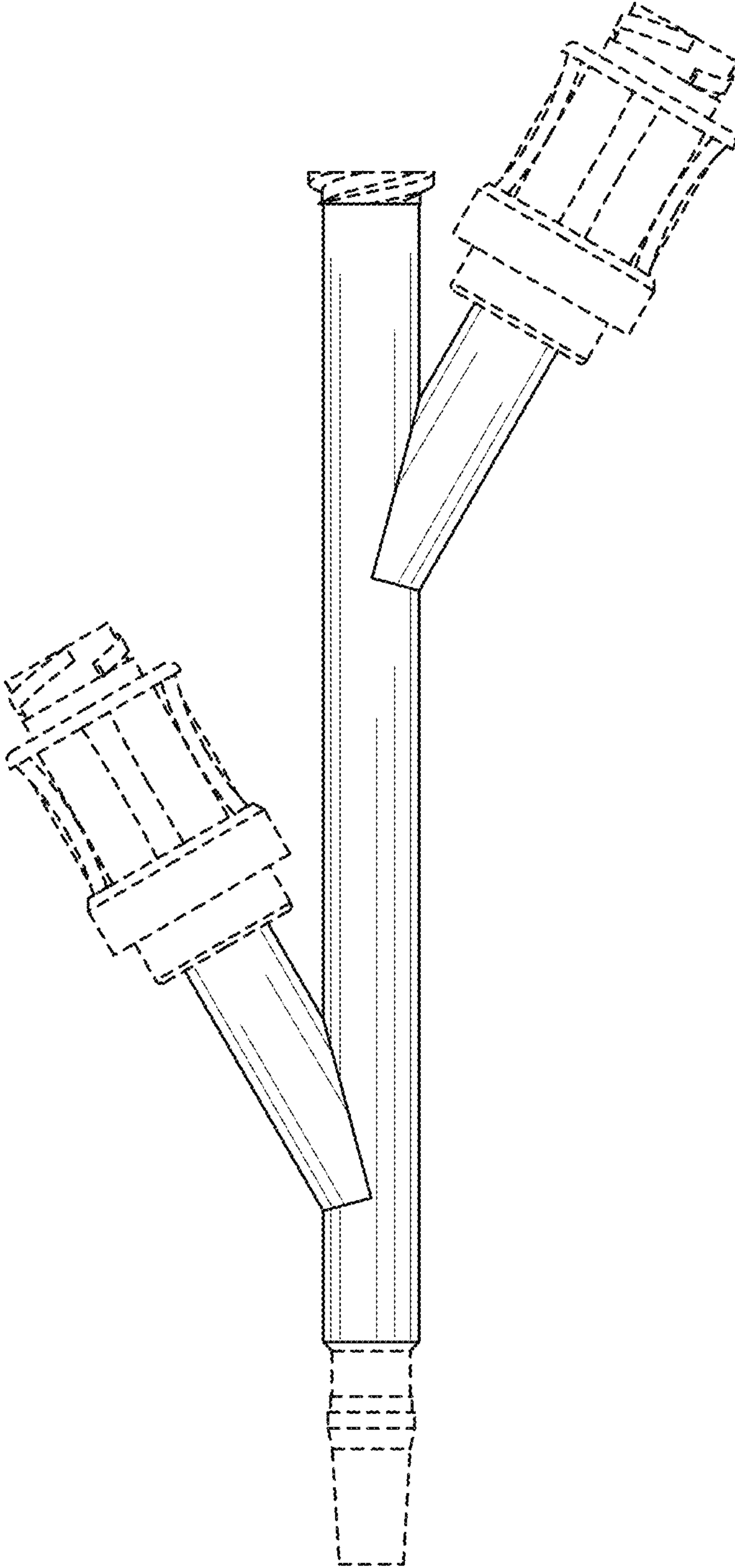


FIG. 2

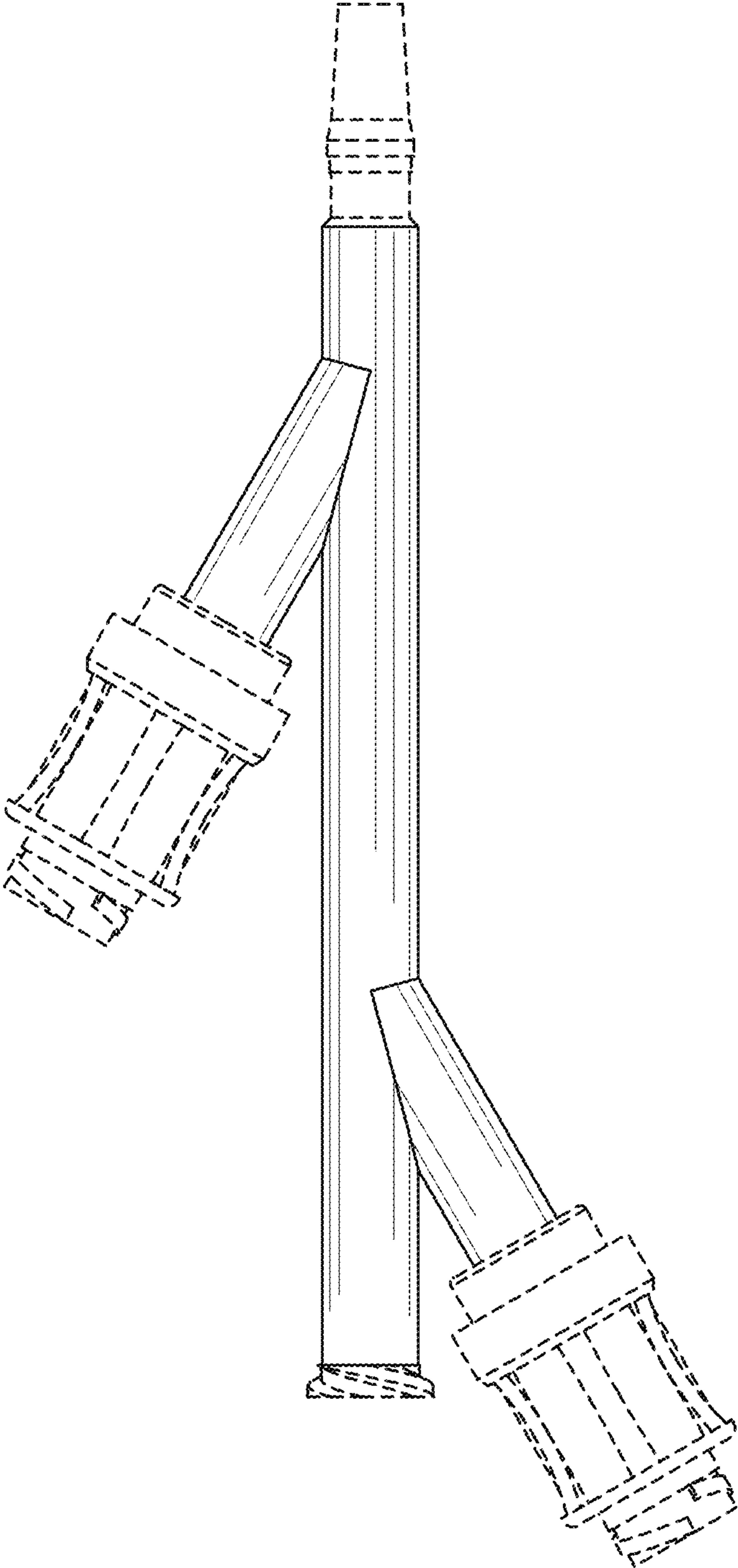


FIG. 3

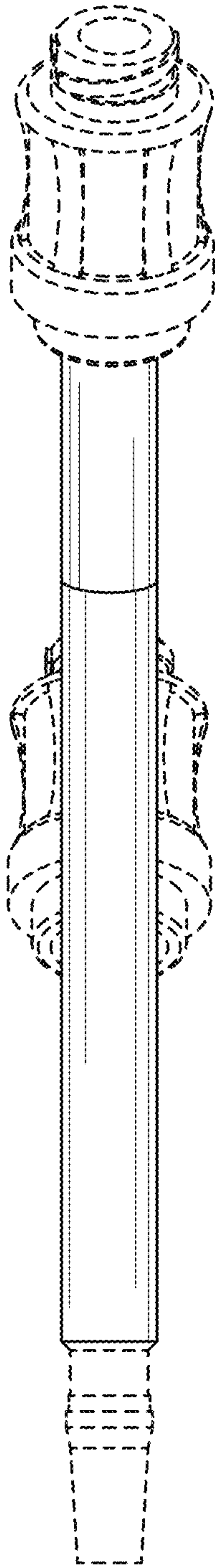


FIG. 4

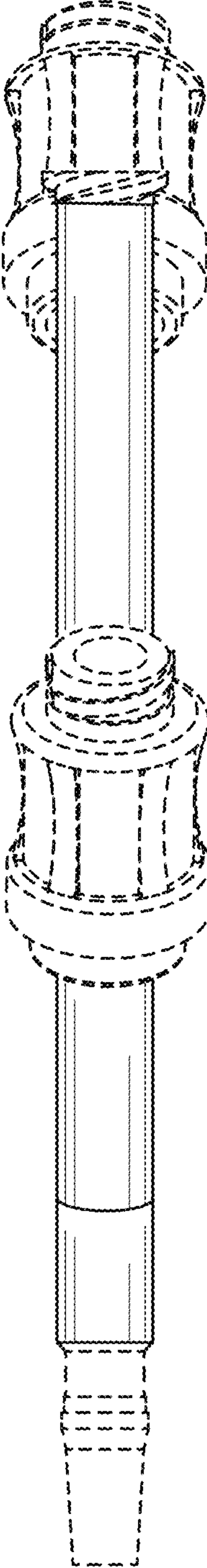


FIG. 5

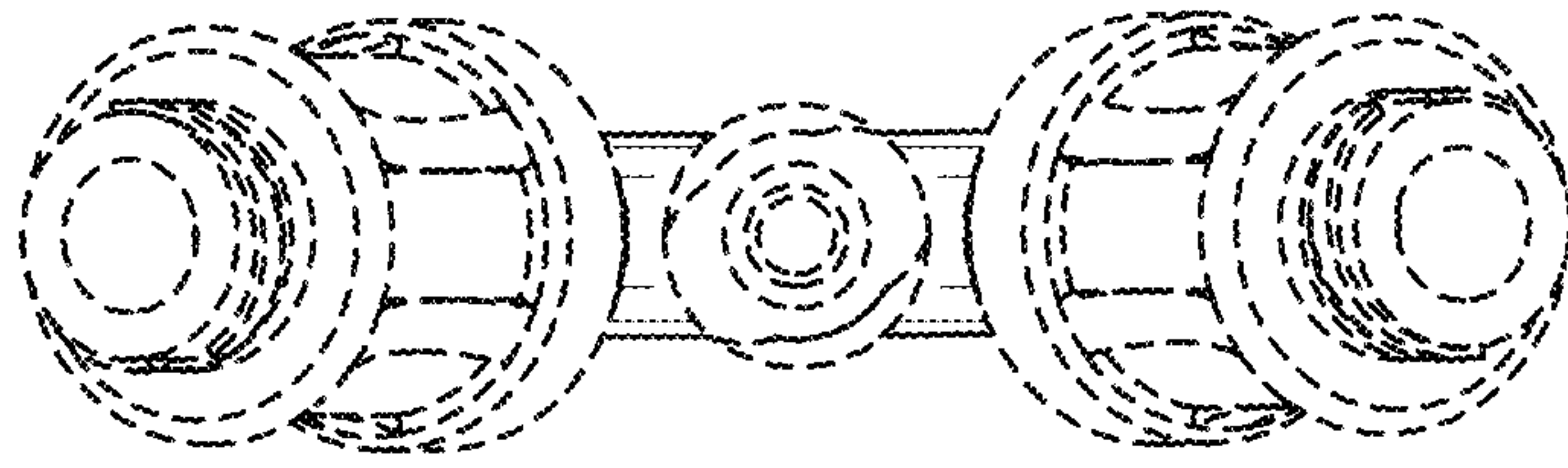


FIG. 7

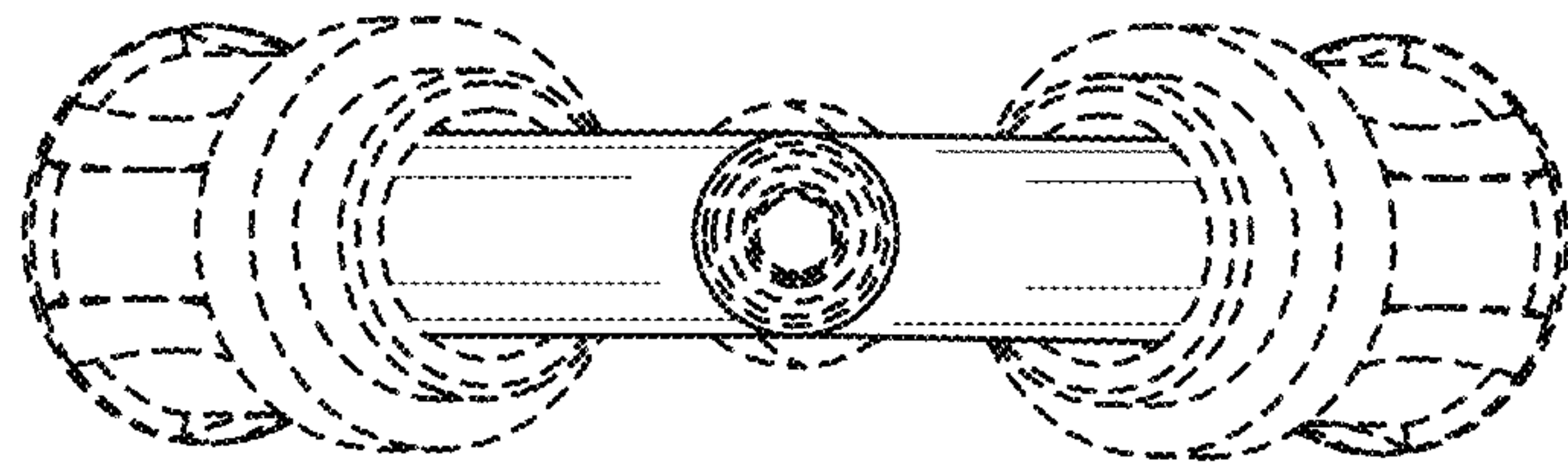


FIG. 6

UNITED STATES PATENT AND TRADEMARK OFFICE
CERTIFICATE OF CORRECTION

PATENT NO. : D807,511 S
APPLICATION NO. : 29/540097
DATED : January 9, 2018
INVENTOR(S) : Auyoung

Page 1 of 1

It is certified that error appears in the above-identified patent and that said Letters Patent is hereby corrected as shown below:

On the Title Page

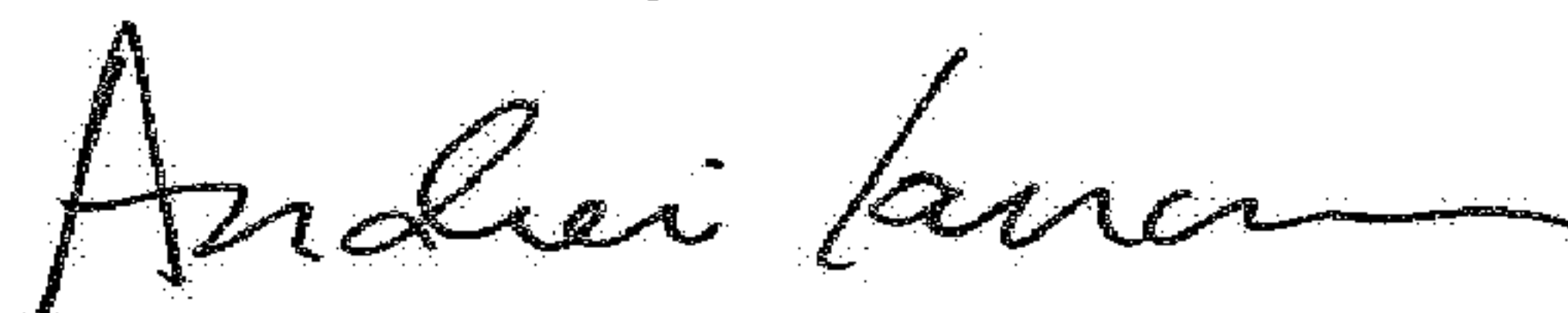
Item (54), in Column 1, Lines 1-2, delete "BONE TAP" and insert -- BONE TAMP --, therefor.

Item (71), under "Applicant", in Column 1, Line 1, delete "SARL, Neuchatel" and insert -- SÀRL, Neuchâtel --, therefor.

Item (57), under "CLAIM", in Column 2, Line 2, delete "bone tap," and insert -- bone tamp, --, therefor.

Item (57), under "DESCRIPTION", in Column 2, Line 2, delete "bone tap." and insert -- bone tamp. --, therefor.

Signed and Sealed this
Fifth Day of June, 2018



Andrei Iancu
Director of the United States Patent and Trademark Office