



US00D807510S

(12) **United States Design Patent** (10) **Patent No.:** **US D807,510 S**
Newman et al. (45) **Date of Patent:** **** Jan. 9, 2018**

(54) **MRI COMPATIBLE THERAPEUTIC GAS DELIVERY CART**

OTHER PUBLICATIONS

(71) Applicant: **Mallinckrodt Hospital Products IP Limited**

INOmax DSIR Operation Manual, 2012, Rev-05, Ikaria, inc., Hampton, NJ, USA.

(72) Inventors: **David Newman**, Lebanon, NJ (US);
Brian Paap, McFarland, ND (US);
Patrick Sharpe, Waunakee, WI (US);
David Strait, Madison, WI (US)

Primary Examiner — Rhea Shields

(74) *Attorney, Agent, or Firm* — Wiggin and Dana LLP;
Joseph Casino; Andrew Bochner

(73) Assignee: **MALLINCKRODT HOSPITAL PRODUCTS IP LIMITED**, Dublin (IE)

(57) **CLAIM**

We claim the ornamental design for an MRI-compatible therapeutic gas delivery cart, as shown and described.

(**) Term: **15 Years**

DESCRIPTION

(21) Appl. No.: **29/578,295**

(22) Filed: **Sep. 20, 2016**

Related U.S. Application Data

(63) Continuation of application No. 29/544,072, filed on Oct. 30, 2015, now Pat. No. Des. 776,279.

(51) **LOC (11) Cl.** **24-00**

(52) **U.S. Cl.**
USPC **D24/164**

(58) **Field of Classification Search**
USPC D24/164, 185, 186, 231, 234; 600/300
CPC G06F 19/3462
See application file for complete search history.

(56) **References Cited**

U.S. PATENT DOCUMENTS

4,933,873 A * 6/1990 Kaufman G06F 19/3462
600/300
D341,887 S * 11/1993 Sever D24/164
D436,401 S * 1/2001 Remes D24/164
D459,477 S * 6/2002 Stocks D24/164
D606,202 S * 12/2009 Banryu D24/185

(Continued)

FIG. 1 is a top, front, and left-side perspective view of an MRI-compatible therapeutic gas delivery cart showing our new design;

FIG. 2 is a front elevational view thereof;

FIG. 3 is a rear elevational view thereof;

FIG. 4 is a left side elevational view thereof, the right side being a mirror image;

FIG. 5 is a top plan view thereof;

FIG. 6 is a bottom plan view thereof;

FIG. 7 is a bottom, front, and right-side perspective view thereof;

FIG. 8 is a top, rear, and left-side perspective view thereof;

FIG. 9 is a bottom, rear, and right-side perspective view thereof; and,

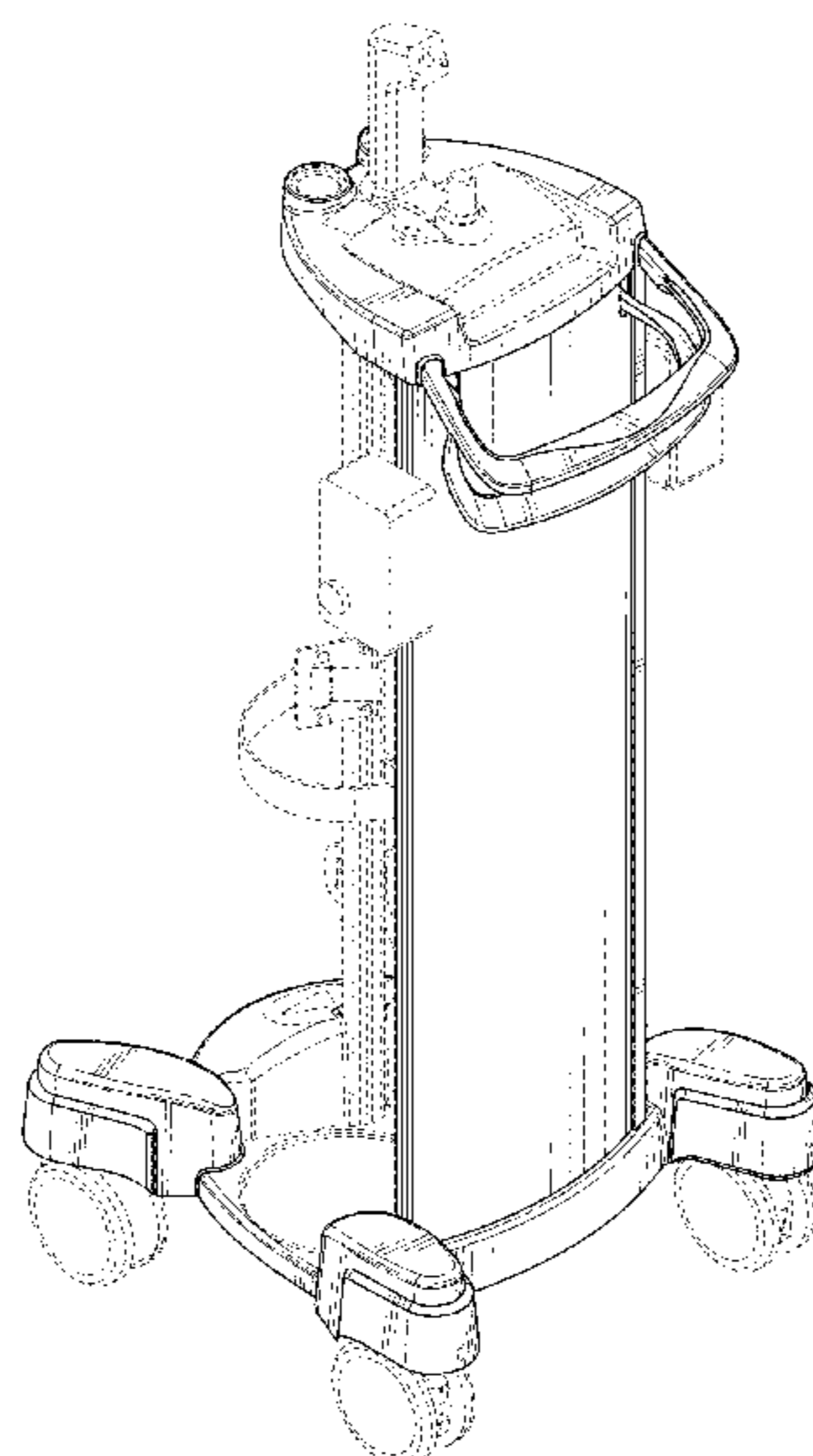
FIG. 10 is another top, front, and left-side perspective view thereof, in which equipment is mounted on the cart in order to illustrate a sample environment.

The broken lines in the figures show portions of the cart which form no part of the claimed design.

The broken line showing of the equipment mounted on the cart in FIG. 10 is for environmental purposes only and forms no part of the claimed design.

Any areas of the cart that are not shown in the drawings form no part of the claimed design.

1 Claim, 9 Drawing Sheets



(56)

References Cited

U.S. PATENT DOCUMENTS

D643,535 S *	8/2011	Ross	D24/164
D657,470 S *	4/2012	Schon	D24/186
D687,147 S *	7/2013	Yoshida	D24/185
D701,963 S *	4/2014	Abarbanel	D24/164
D702,840 S *	4/2014	Blomquist	D24/164
D702,842 S *	4/2014	Hyde	D24/185
D729,936 S	5/2015	Reback	
D730,525 S *	5/2015	Acker	D24/164

* cited by examiner

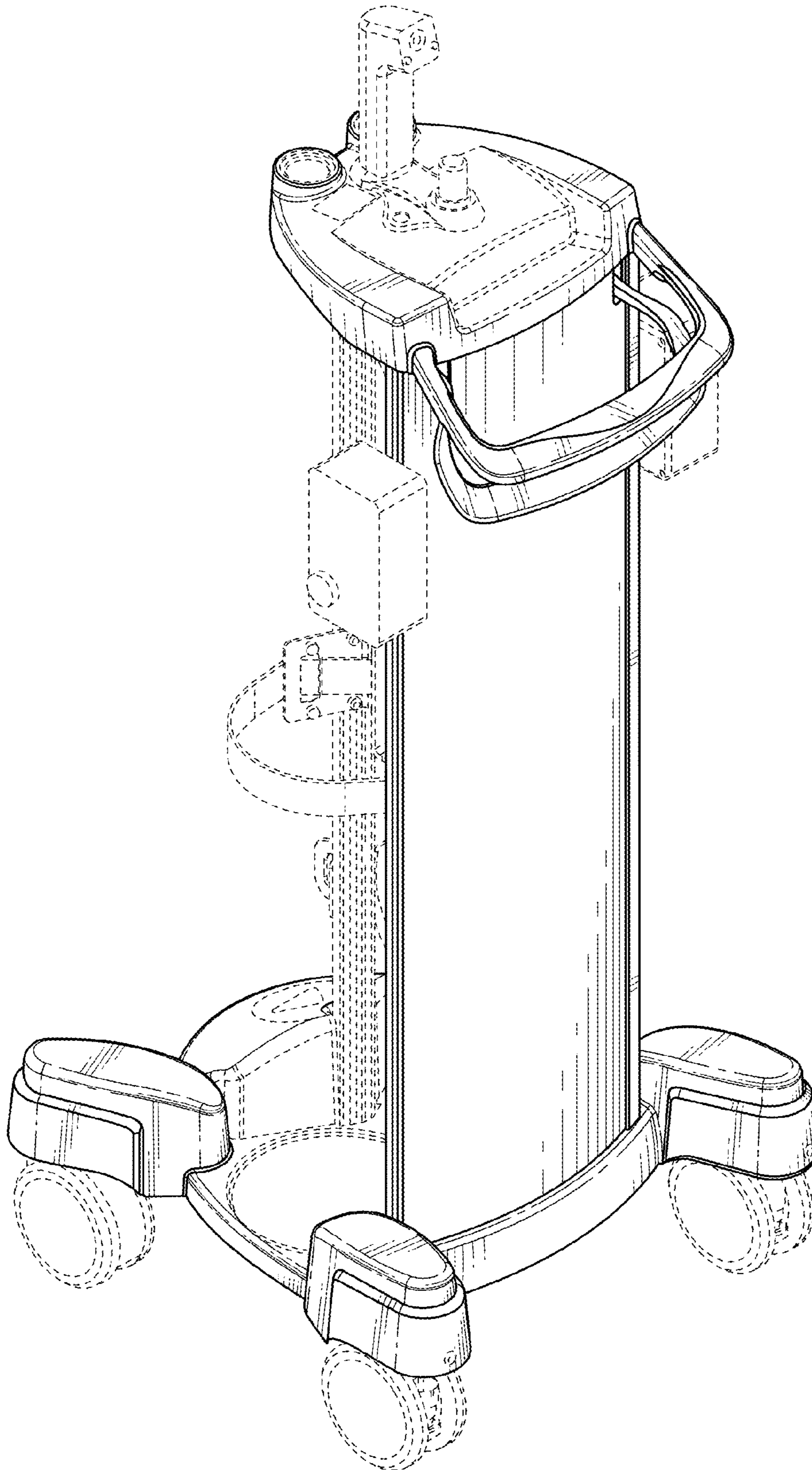


FIG. 1

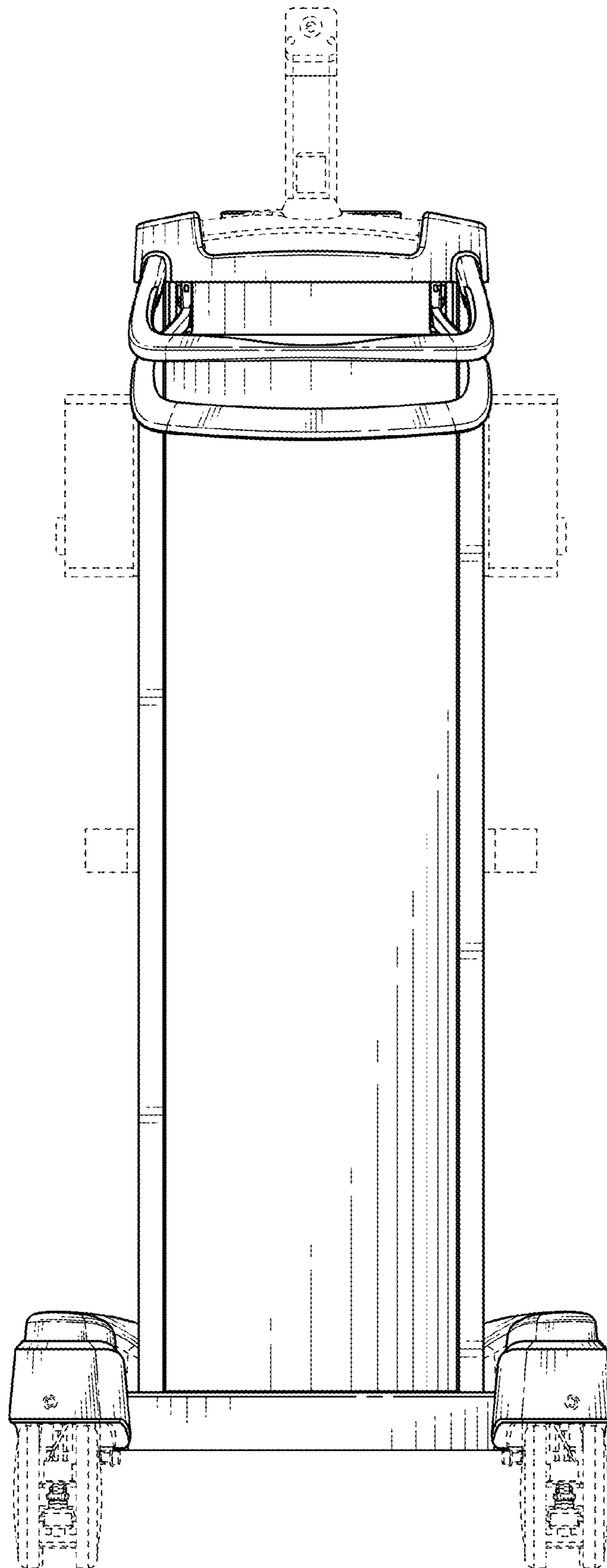


FIG. 2

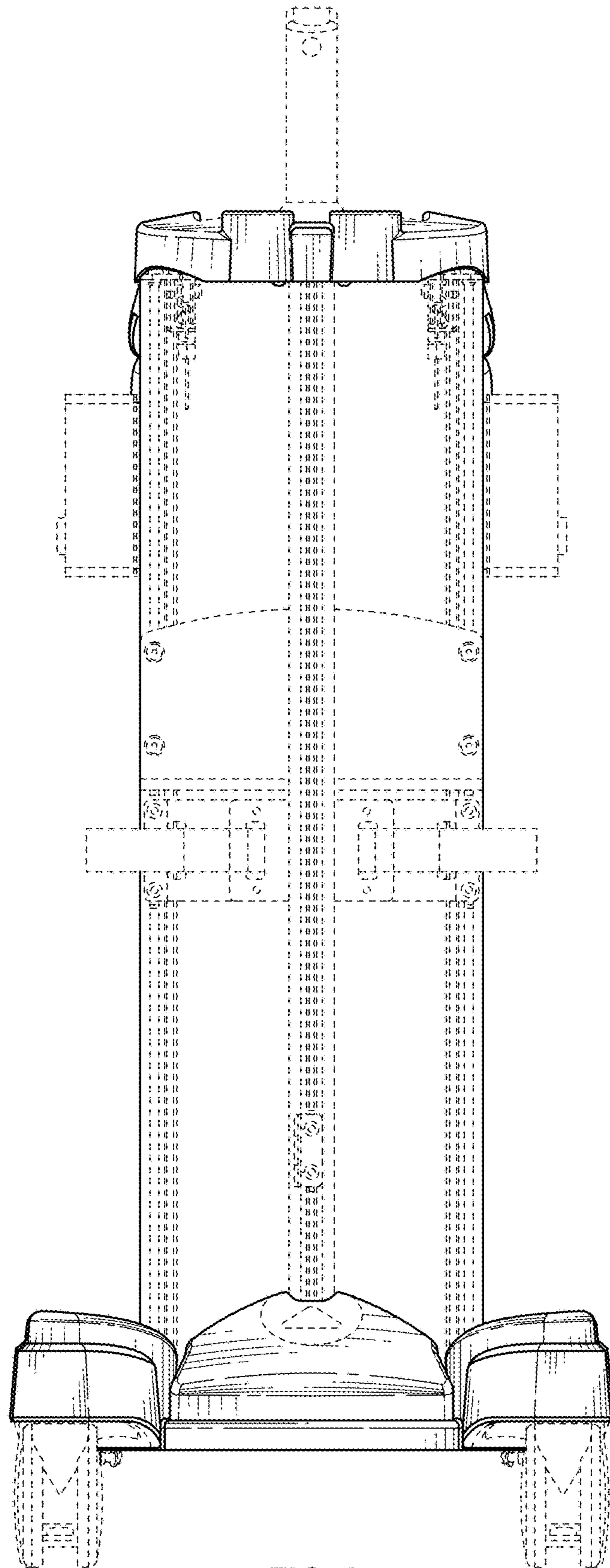


FIG. 3

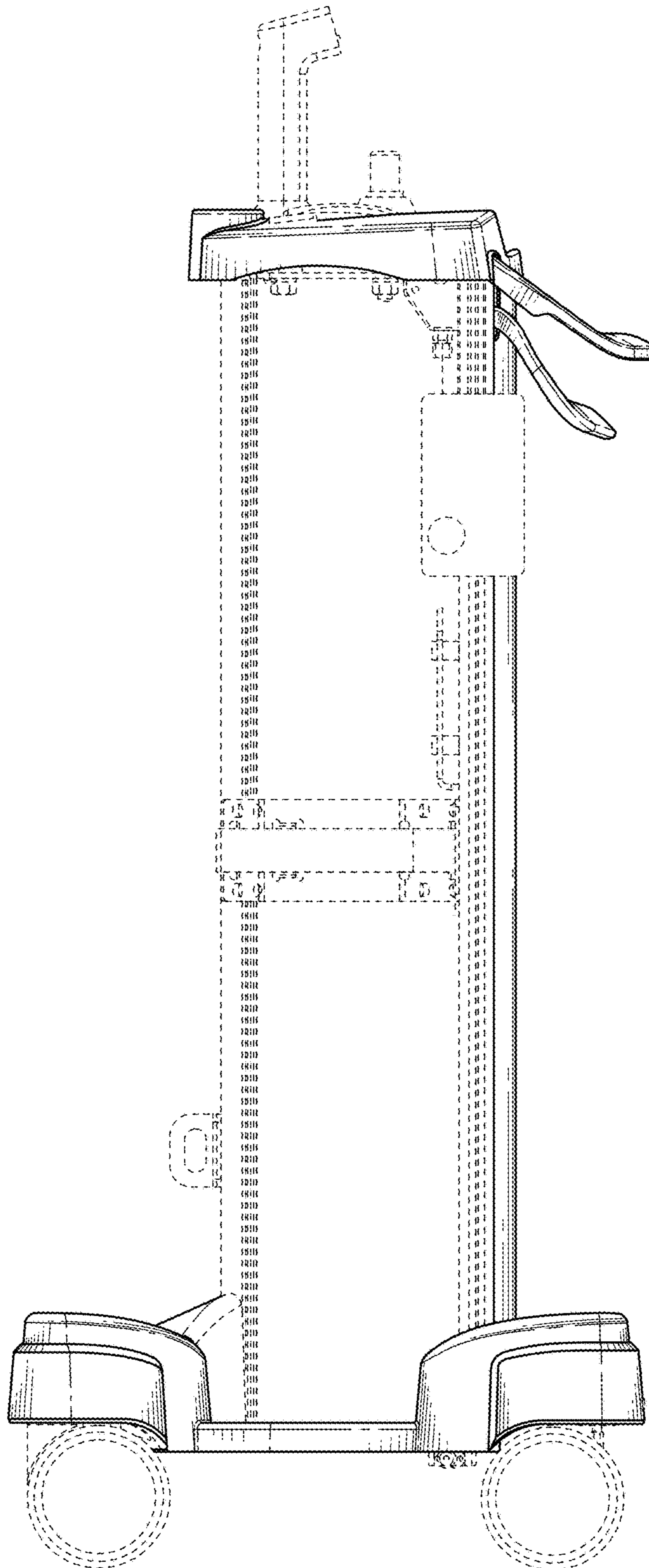


FIG. 4

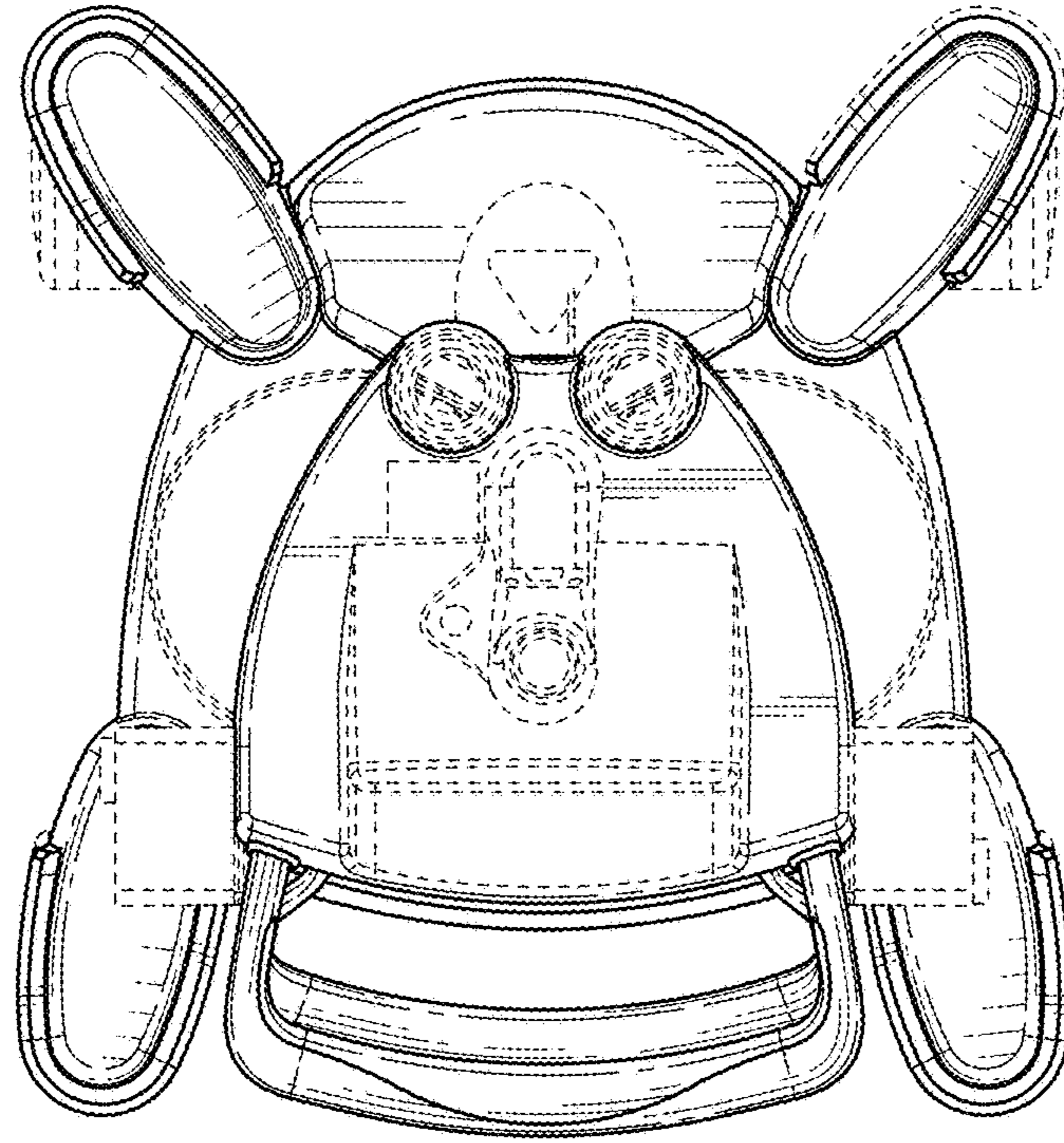


FIG. 5

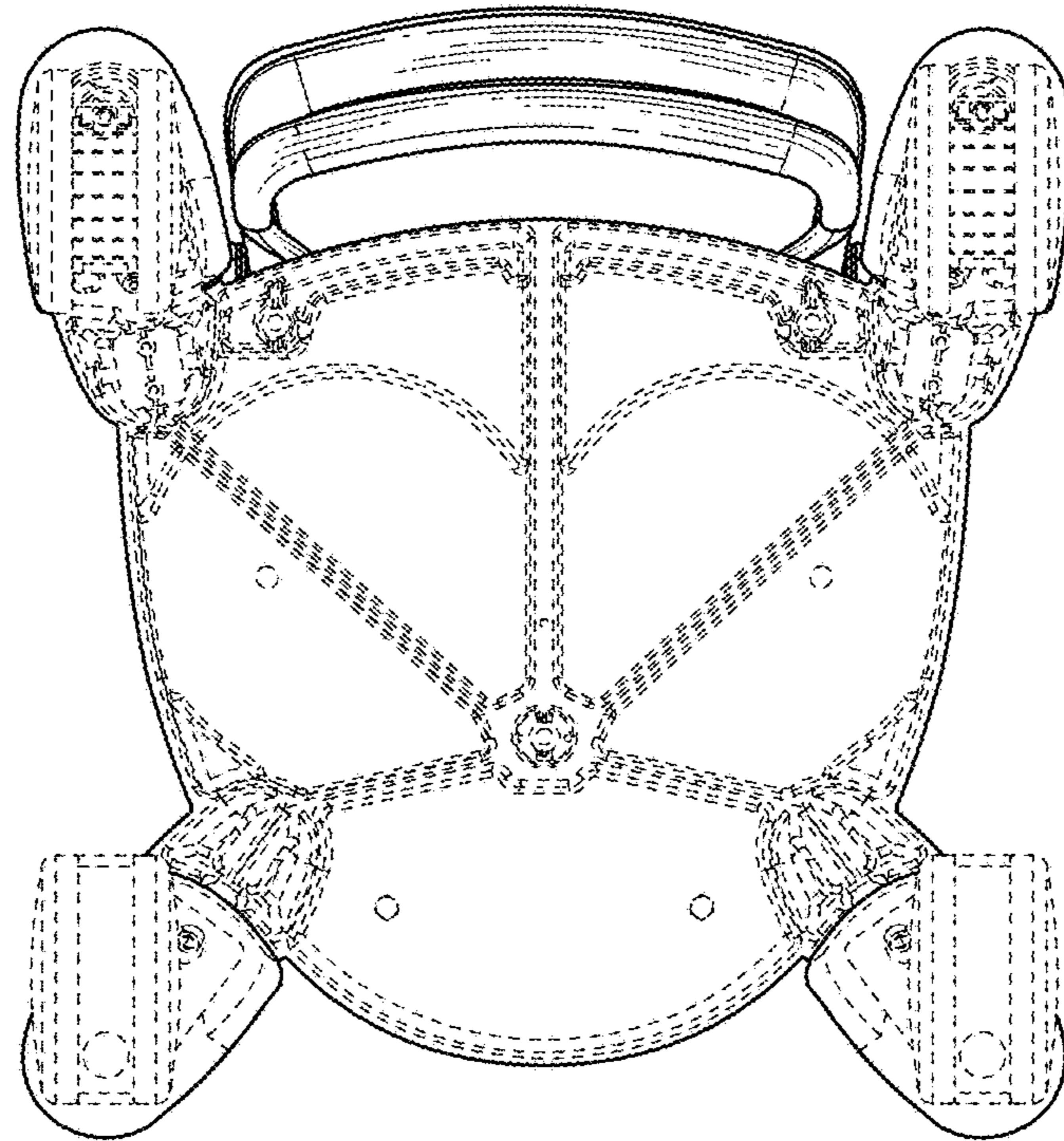


FIG. 6

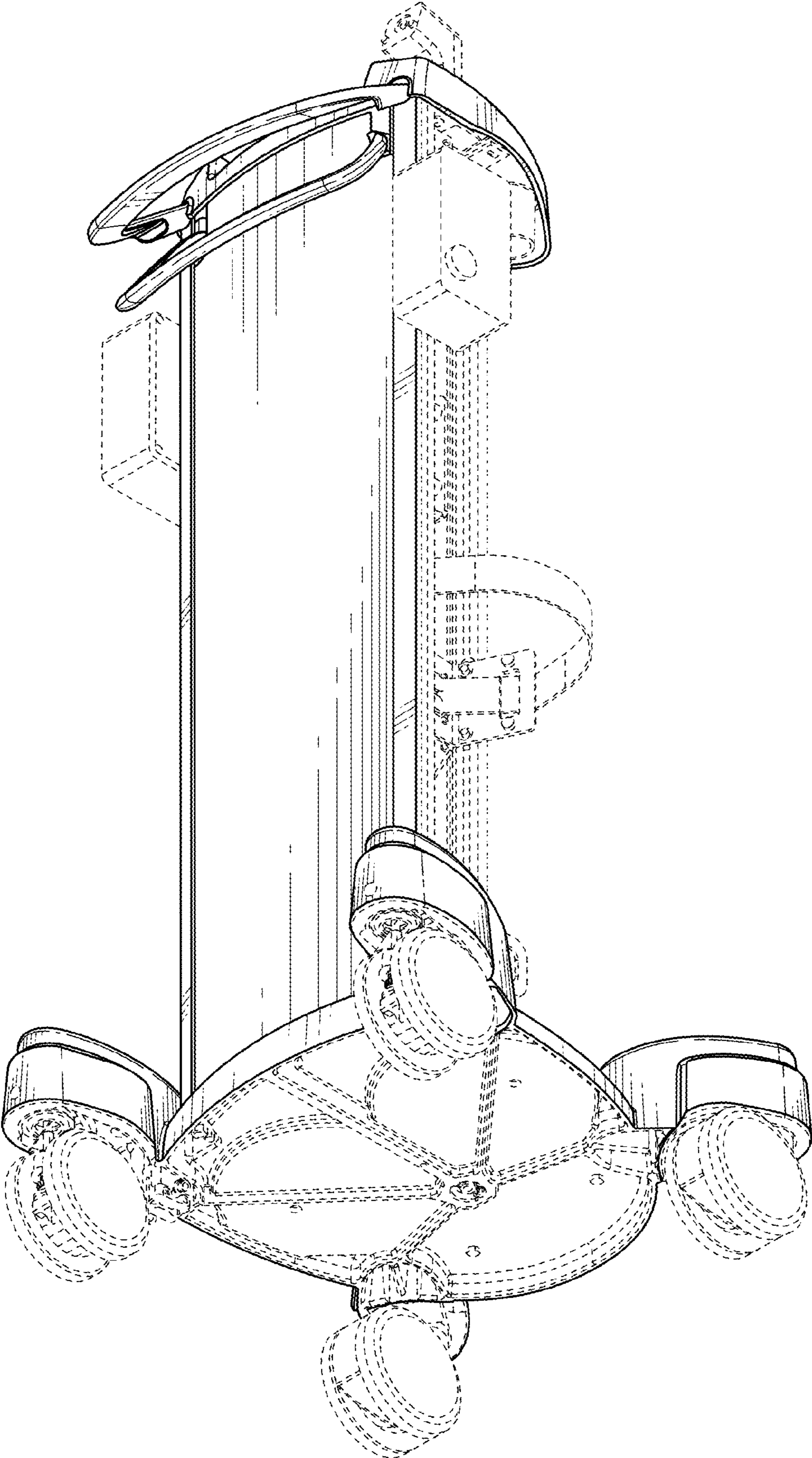


FIG. 7

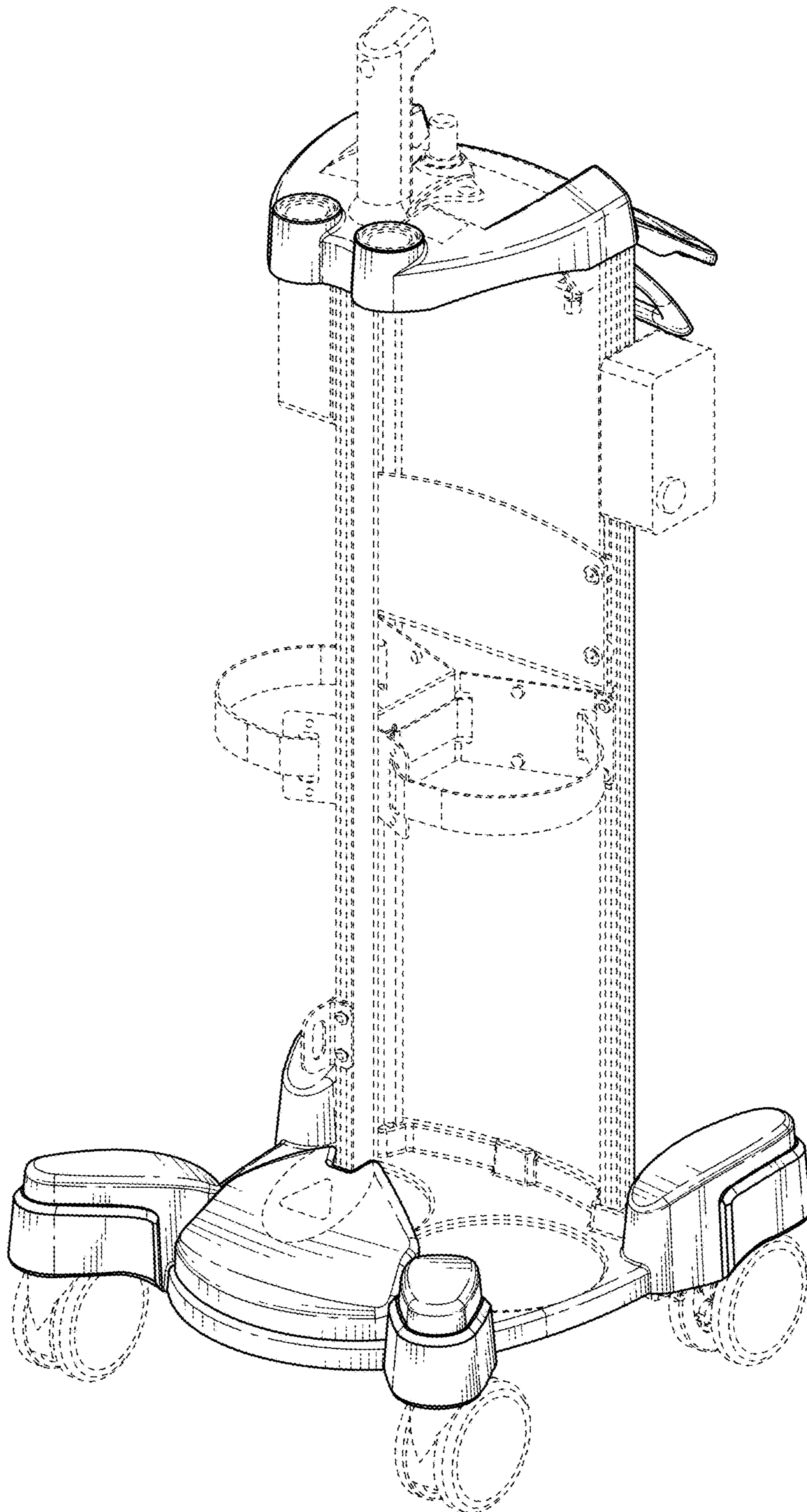


FIG. 8

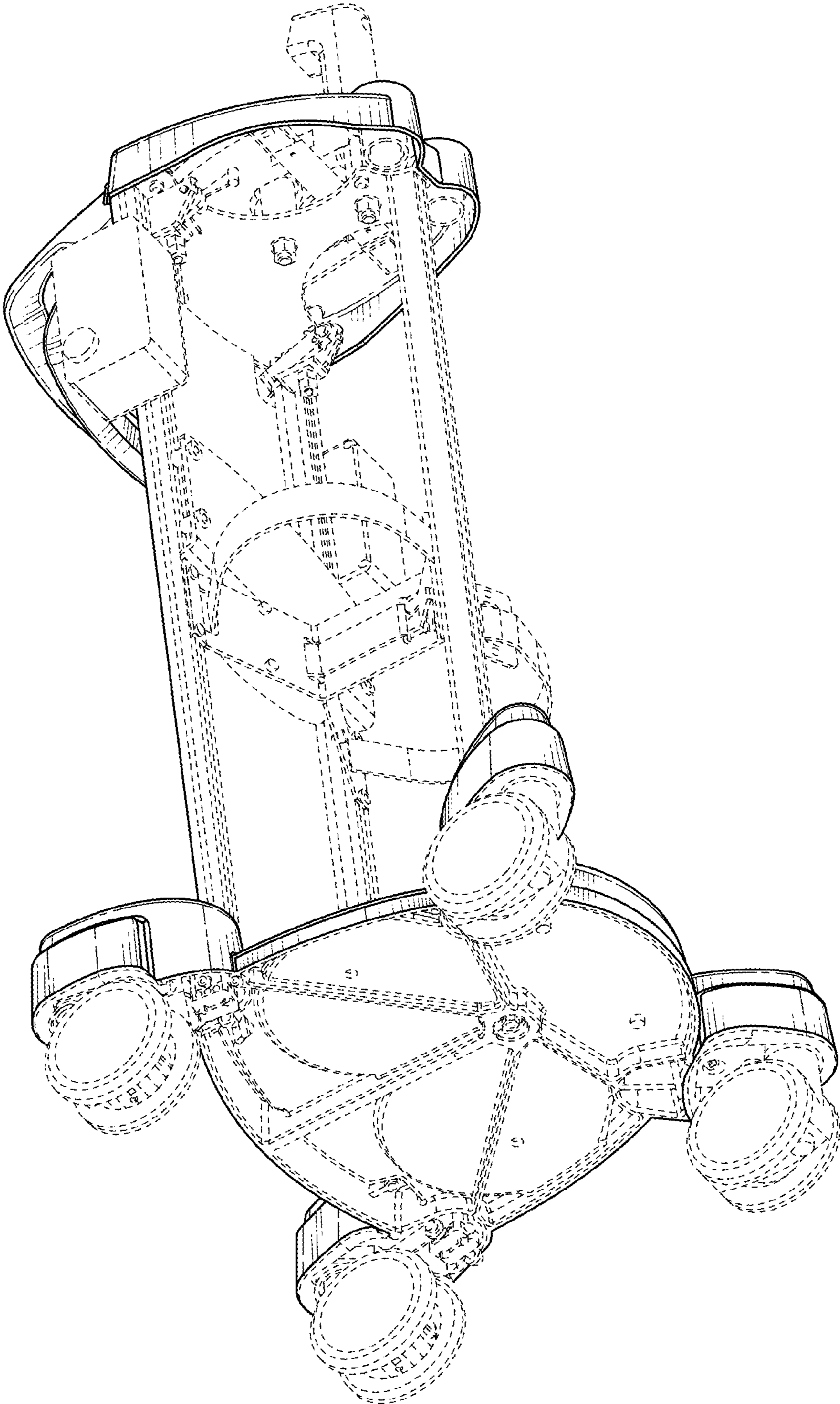


FIG. 9

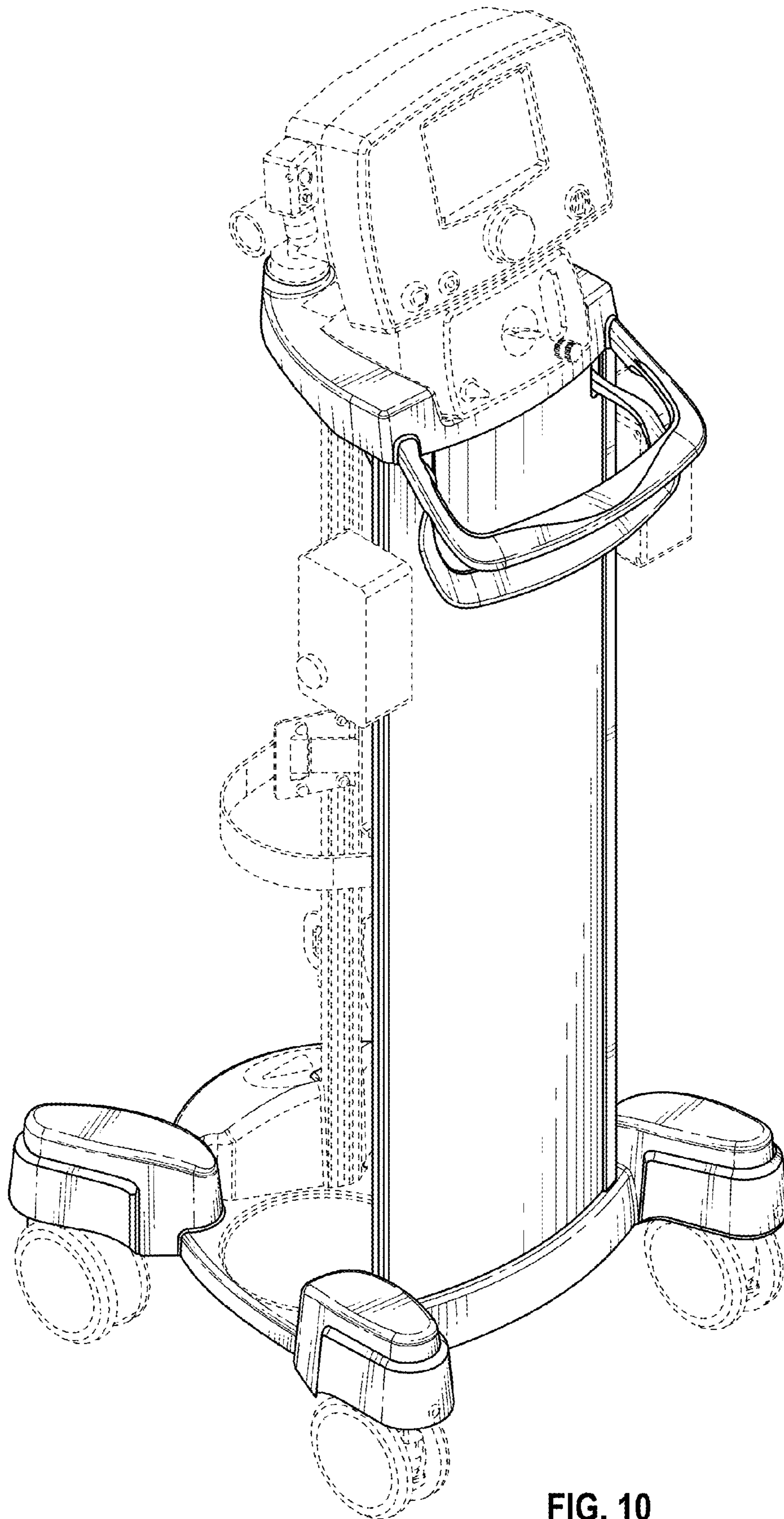


FIG. 10