

US00D807507S

(12) **United States Design Patent**
Chauhan

(10) **Patent No.:** **US D807,507 S**
(45) **Date of Patent:** **** Jan. 9, 2018**

(54) **HAND-HELD DENTAL TOOL AND
REMOVABLE SOFT TIPS**

(71) Applicant: **Muhammad Hasan Chauhan**, Hiram,
GA (US)

(72) Inventor: **Muhammad Hasan Chauhan**, Hiram,
GA (US)

(**) Term: **15 Years**

(21) Appl. No.: **29/604,464**

(22) Filed: **May 17, 2017**

Related U.S. Application Data

(62) Division of application No. 29/549,365, filed on Dec.
22, 2015, now Pat. No. Des. 798,452.

(51) **LOC (11) Cl.** **24-02**

(52) **U.S. Cl.**
USPC **D24/154**

(58) **Field of Classification Search**
USPC D24/152-154, 146-147, 149
CPC A61C 3/00; A61C 3/02; A61C 3/10; A61C
3/08; A61C 1/10; A61C 1/12; A61C
17/00; A61C 17/005; A61C 17/0202;
A61C 17/225

See application file for complete search history.

(56) **References Cited**

U.S. PATENT DOCUMENTS

D26,678 S * 2/1897 Ivory D24/154
D53,956 S * 10/1919 Zurbrigg D24/149
1,579,968 A * 4/1926 Taylor A61C 3/08
433/164

4,586,901 A * 5/1986 Tanaka A61C 3/08
433/147
4,643,677 A * 2/1987 Kim A61C 3/08
433/142
5,242,302 A * 9/1993 Riehm A61C 3/08
433/164
6,206,698 B1 * 3/2001 Billingsley A61C 3/08
433/164
D522,141 S * 5/2006 Chung D24/152
8,241,291 B2 * 8/2012 Yamada A61C 3/00
433/141
8,939,766 B2 * 1/2015 Wong A61C 3/08
433/226
2004/0265778 A1 * 12/2004 Kliff A61C 3/00
433/143
2005/0095558 A1 * 5/2005 Jones A61C 3/00
433/144
2010/0184000 A1 * 7/2010 Beach A61C 3/00
433/143
2016/0228221 A1 * 8/2016 Cho A61C 3/00

* cited by examiner

Primary Examiner — Wan Laymon
(74) *Attorney, Agent, or Firm* — Chun-Ming Shih

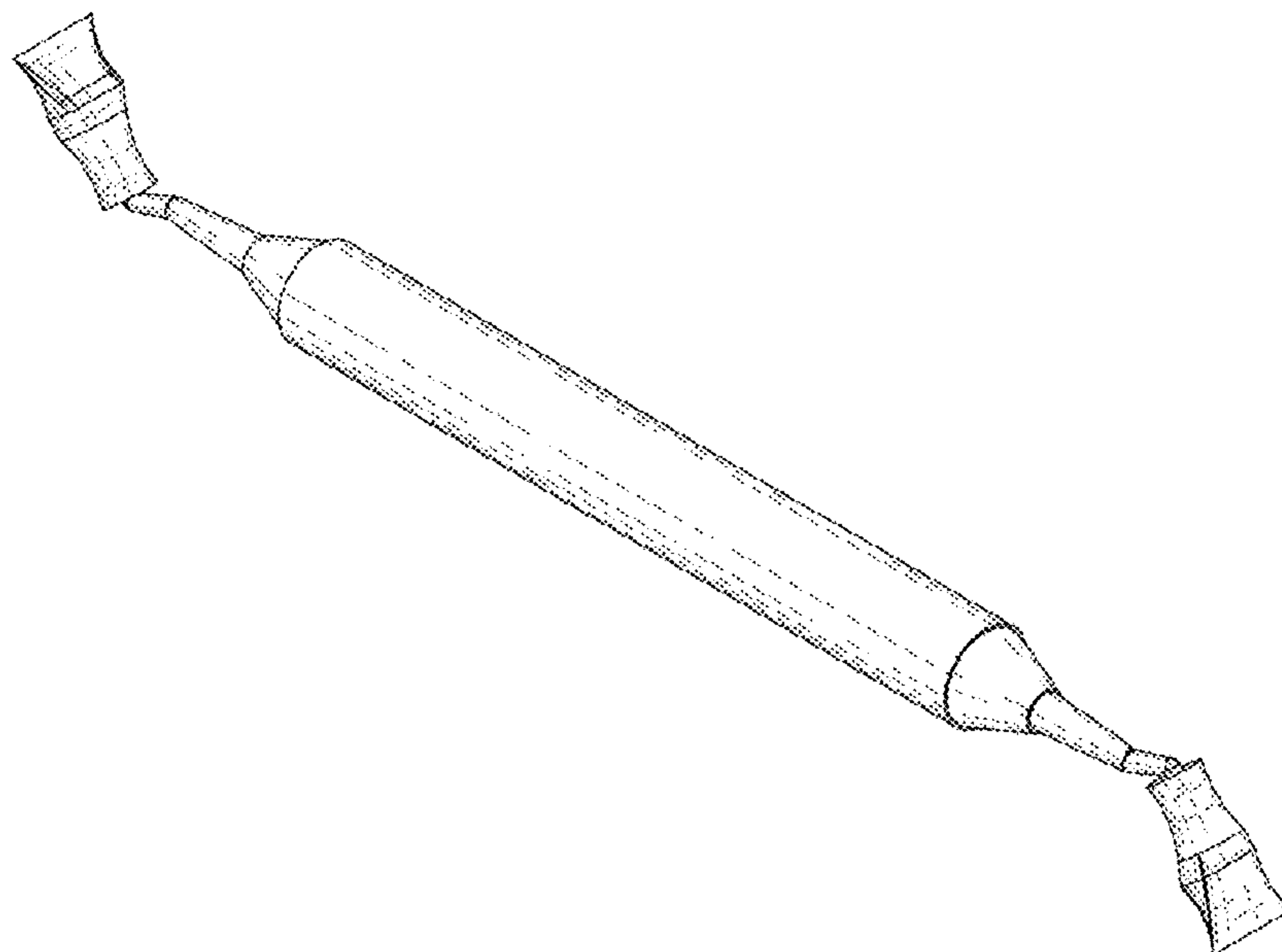
(57) **CLAIM**

The ornamental design for a hand-held dental tool and
removable soft tips, as shown and described.

DESCRIPTION

FIG. 1 is a perspective view of a hand-held dental tool and
removable soft tips installed with a soft tip on each end;
FIG. 2 is a front view of FIG. 1; and,
FIG. 3 is a rear view of FIG. 1.

1 Claim, 3 Drawing Sheets



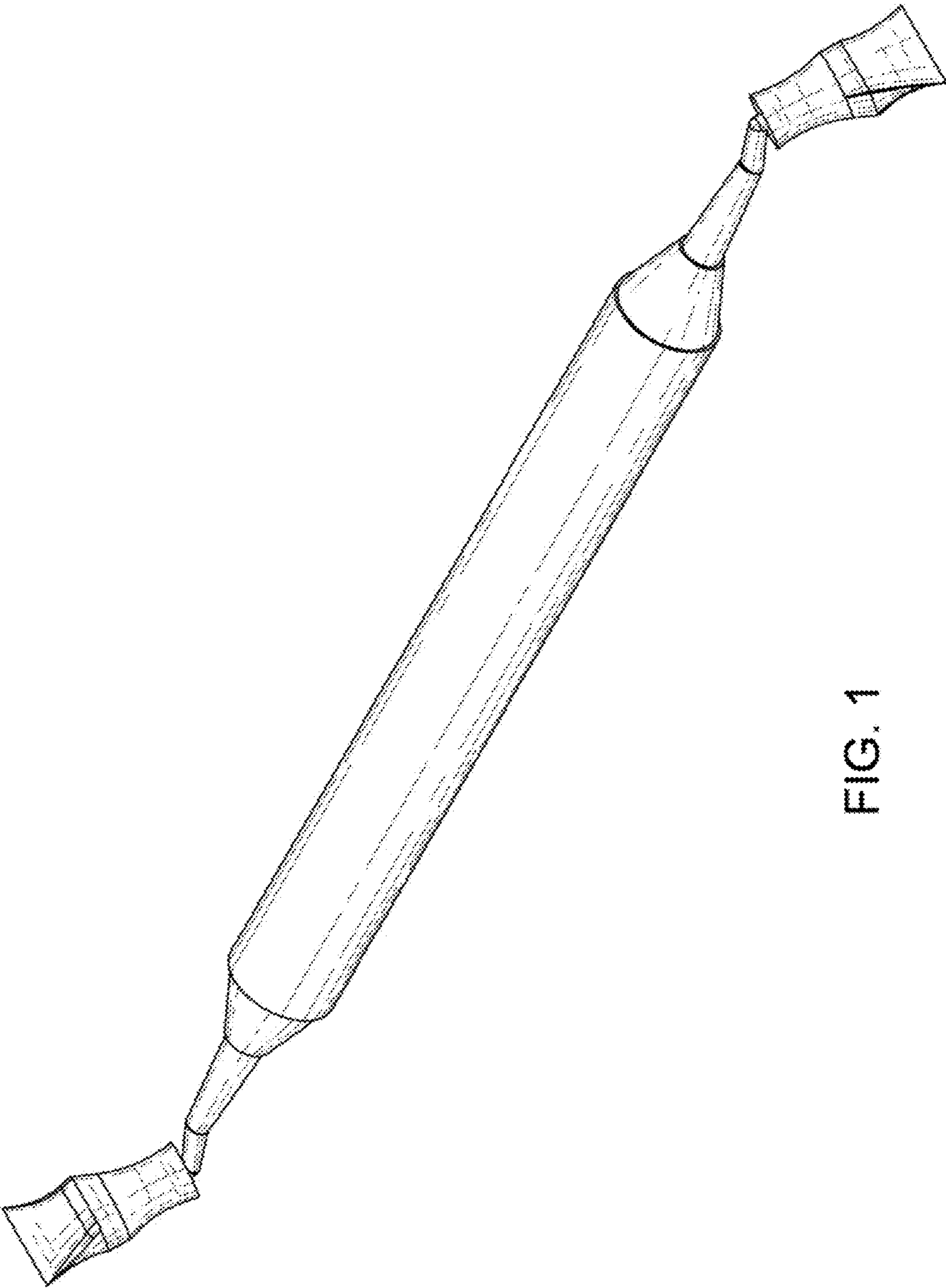


FIG. 1

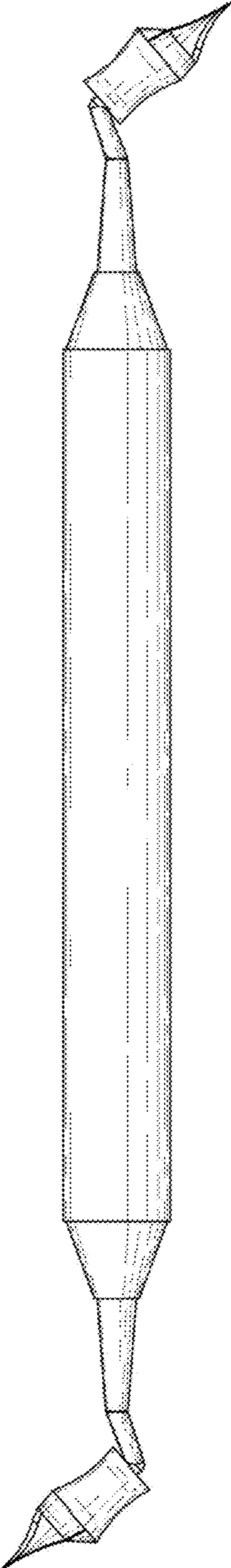


FIG. 2

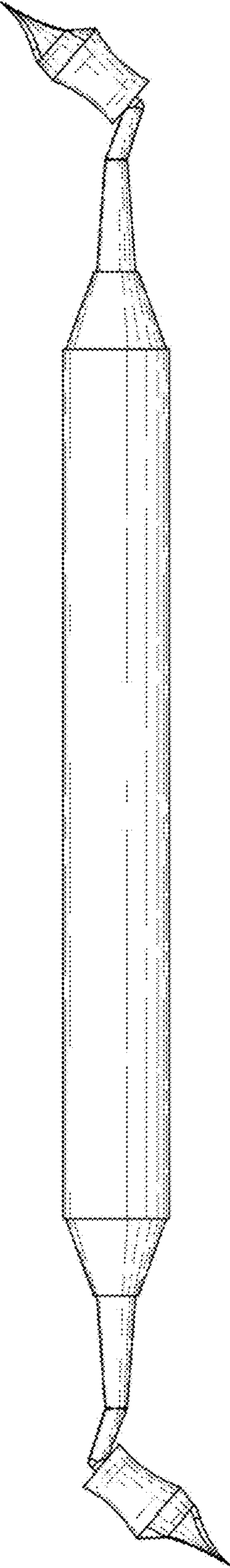


FIG. 3