



US00D807504S

(12) **United States Design Patent**
Pena et al.

(10) **Patent No.:** **US D807,504 S**
(45) **Date of Patent:** **** Jan. 9, 2018**

(54) **MEDICAL WASTE DISPOSAL BIN**

(71) Applicant: **INTEPLAST GROUP CORPORATION**, Livingston, NJ (US)

(72) Inventors: **Ralph Harold Pena**, Bartlett, TN (US);
David Overbey, Oakland, TN (US);
John R. Prybella, Lake Grove, NY (US);
Charles L. Kelly, Fort Salonga, NY (US)

(73) Assignee: **INTEPLAST GROUP CORPORATION**, Livingston, NJ (US)

(**) Term: **15 Years**

(21) Appl. No.: **29/574,438**

(22) Filed: **Aug. 15, 2016**

(51) **LOC (11) Cl.** **24-02**

(52) **U.S. Cl.**

USPC **D24/131**

(58) **Field of Classification Search**

USPC D24/103, 131, 231; D34/7, 8, 10, 11

CPC A61B 50/362; A61B 2050/0051; A61B

2050/0057; A61B 2050/364; A61B

19/0288; B65F 1/10; B65D 43/16

See application file for complete search history.

(56) **References Cited**

U.S. PATENT DOCUMENTS

4,715,498	A	12/1987	Hanifl	
4,736,860	A	4/1988	Bemis	
4,779,728	A	10/1988	Hanifl et al.	
D304,109	S *	10/1989	Hanifl	D24/131
D306,509	S *	3/1990	Hanifl	D24/131
D310,903	S *	9/1990	Anderson	D34/7
5,046,614	A	9/1991	Torres et al.	
5,076,429	A	12/1991	Patrick et al.	
5,103,997	A	4/1992	Shillington et al.	

(Continued)

OTHER PUBLICATIONS

Dynarex.com, Sharps Container, online product page, Oct. 2015, retrieved Jul. 14, 2017 from URL:https://web.archive.org/web/20151019041028/http://www.dynarex.com/resources/Images_Item/4625.jpg.*

(Continued)

Primary Examiner — Sheryl Lane

Assistant Examiner — Calvin E Vansant

(74) *Attorney, Agent, or Firm* — Phillips Ryther & Winchester; Matthew D. Thayne

(57) **CLAIM**

The ornamental design for a medical waste disposal bin, as shown and described herein.

DESCRIPTION

FIG. 1 is an upper, exploded perspective view of a medical waste disposal bin showing our new design;

FIG. 2 is an upper perspective view of the medical waste disposal bin with its lid coupled to its base;

FIG. 3 is an upper perspective view of the medical waste disposal bin with its lid in an open configuration;

FIG. 4 is an upper, exploded perspective view of the medical waste disposal bin shown from the opposite side relative to that of FIG. 1;

FIG. 5 is an upper perspective view thereof from the opposite side relative to that of FIG. 2;

FIG. 6 is a lower, exploded perspective view of the medical waste disposal bin;

FIG. 7 is a lower perspective view thereof;

FIG. 8 is a rear elevation view thereof;

FIG. 9 is a front elevation view thereof;

FIG. 10 is a first side elevation view thereof;

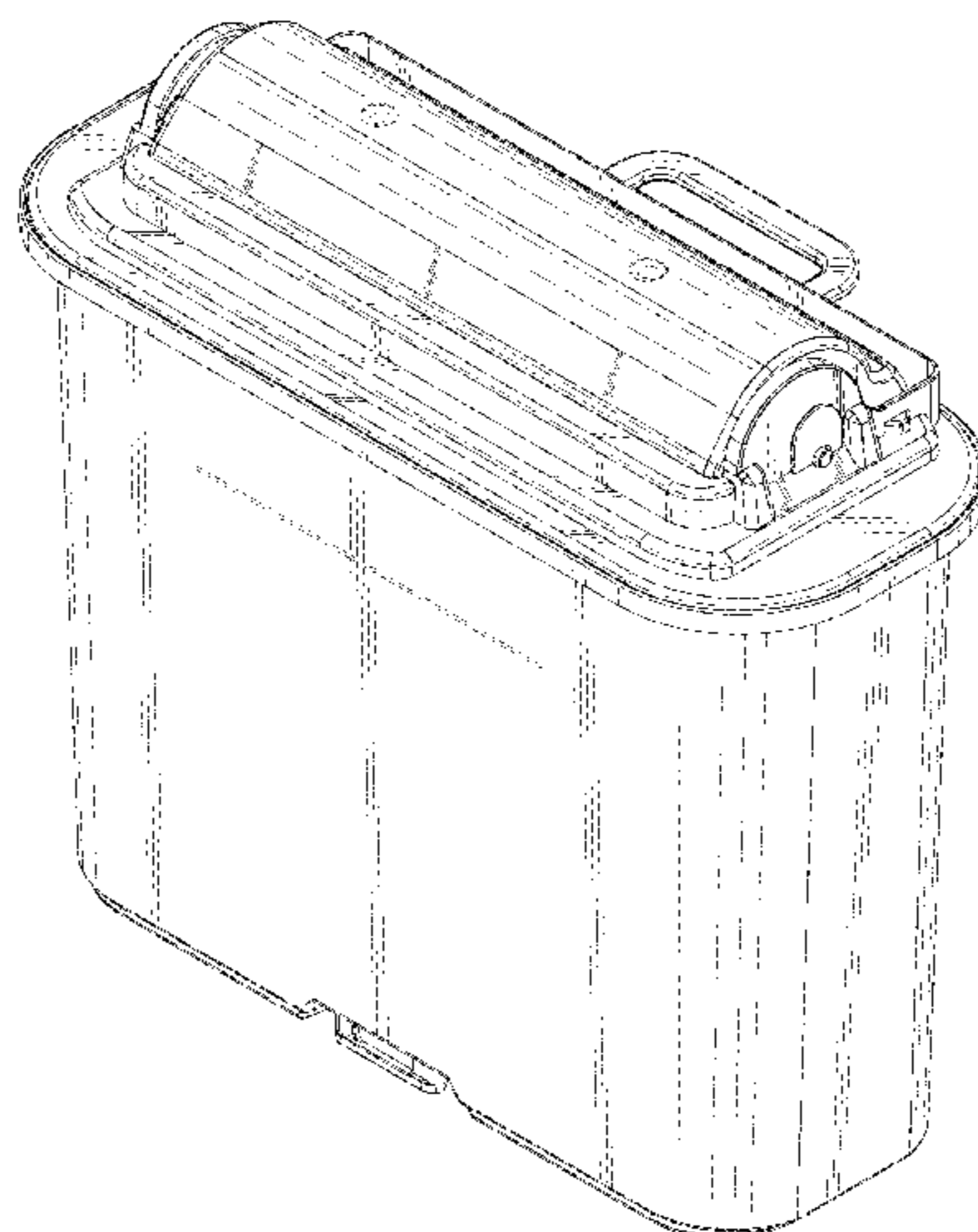
FIG. 11 is a second side elevation view thereof opposite from the first side depicted in FIG. 10;

FIG. 12 is a top plan view thereof; and,

FIG. 13 is a bottom plan view thereof.

The portions of the drawings shown in broken lines form no part of the claimed design.

1 Claim, 13 Drawing Sheets



(56)

References Cited

U.S. PATENT DOCUMENTS

5,423,450 A 6/1995 Shillington et al.
 5,740,909 A * 4/1998 Nazare A61B 50/362
 206/1.5
 6,250,465 B1 6/2001 Daniels et al.
 D451,195 S * 11/2001 Daniels D24/131
 D478,664 S * 8/2003 Moats D24/131
 7,596,844 B2 10/2009 Japuntich et al.
 8,584,885 B2 11/2013 Finnestad et al.
 8,783,494 B2 7/2014 Lee et al.
 D711,060 S * 8/2014 Butler D34/7
 8,813,986 B2 8/2014 Liscio et al.
 8,998,031 B2 * 4/2015 Goldstein B65F 1/1646
 220/252

OTHER PUBLICATIONS

BD Disposal Solutions Product Catalog [online], Becton, Dickenson and Company 2014 [Retrieved on Nov. 16, 2016], Retrieved from the internet <URL: http://www.bd.com/sharps/pdf/Disposal_Solutions_Product_Catalog.pdf>.
 In Room Sharps Containers, Covidien [online] Medtronic 2016 [Retrieved on Nov. 16, 2016], Retrieved from the internet: <URL: <http://www.medtronic.com/covidien/products/sharps-disposal/in-room-sharps-containers>>.

* cited by examiner

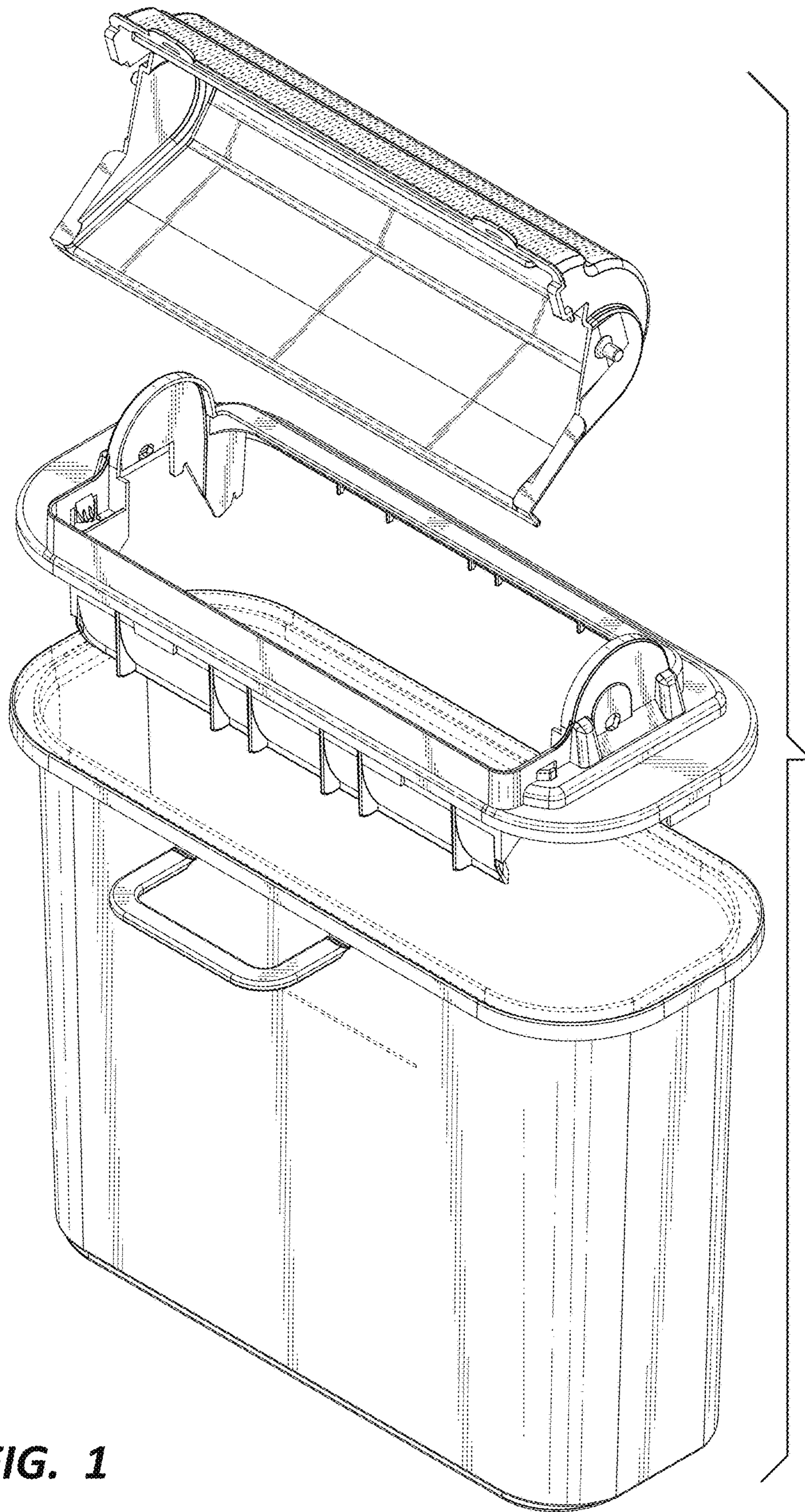


FIG. 1

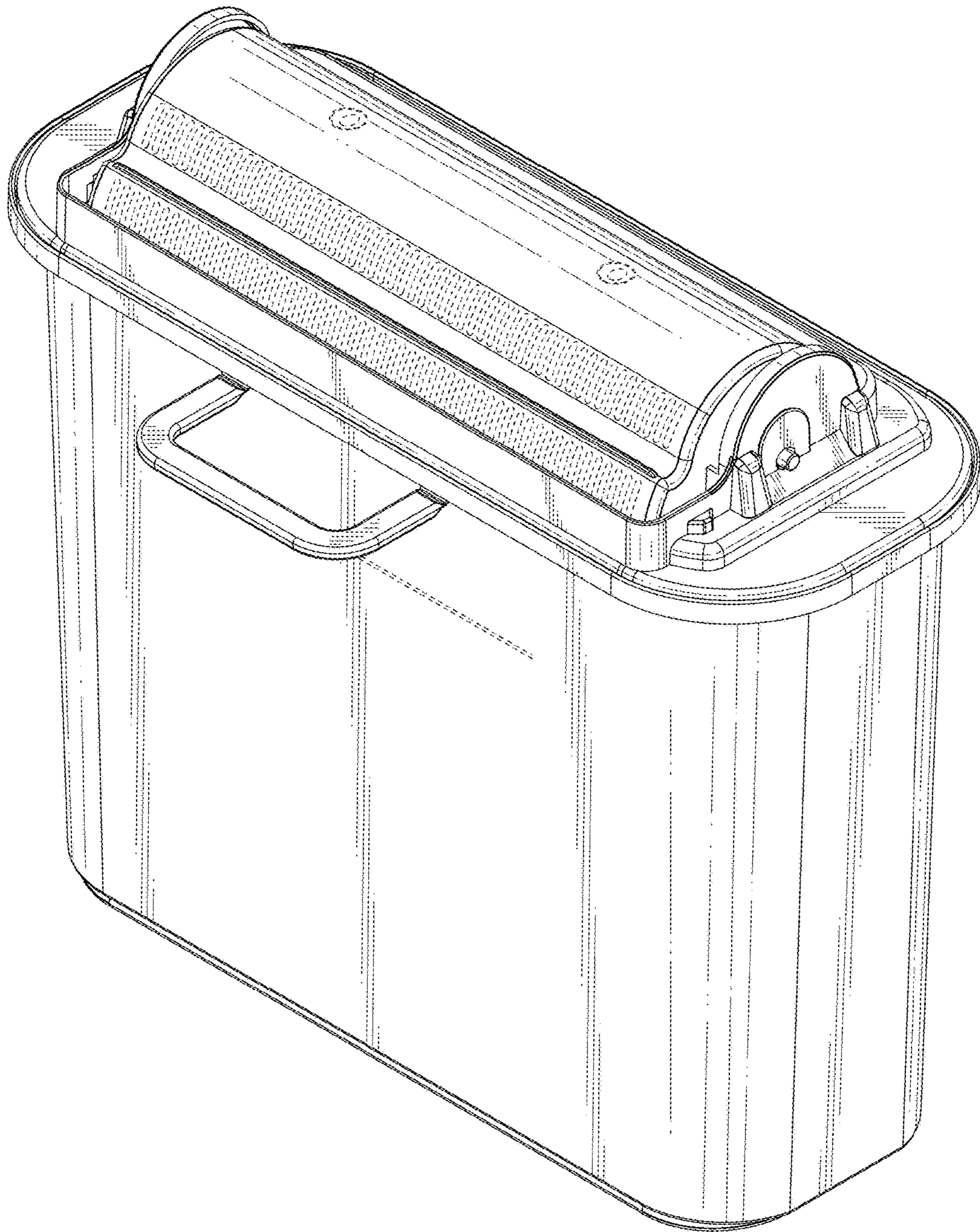


FIG. 2

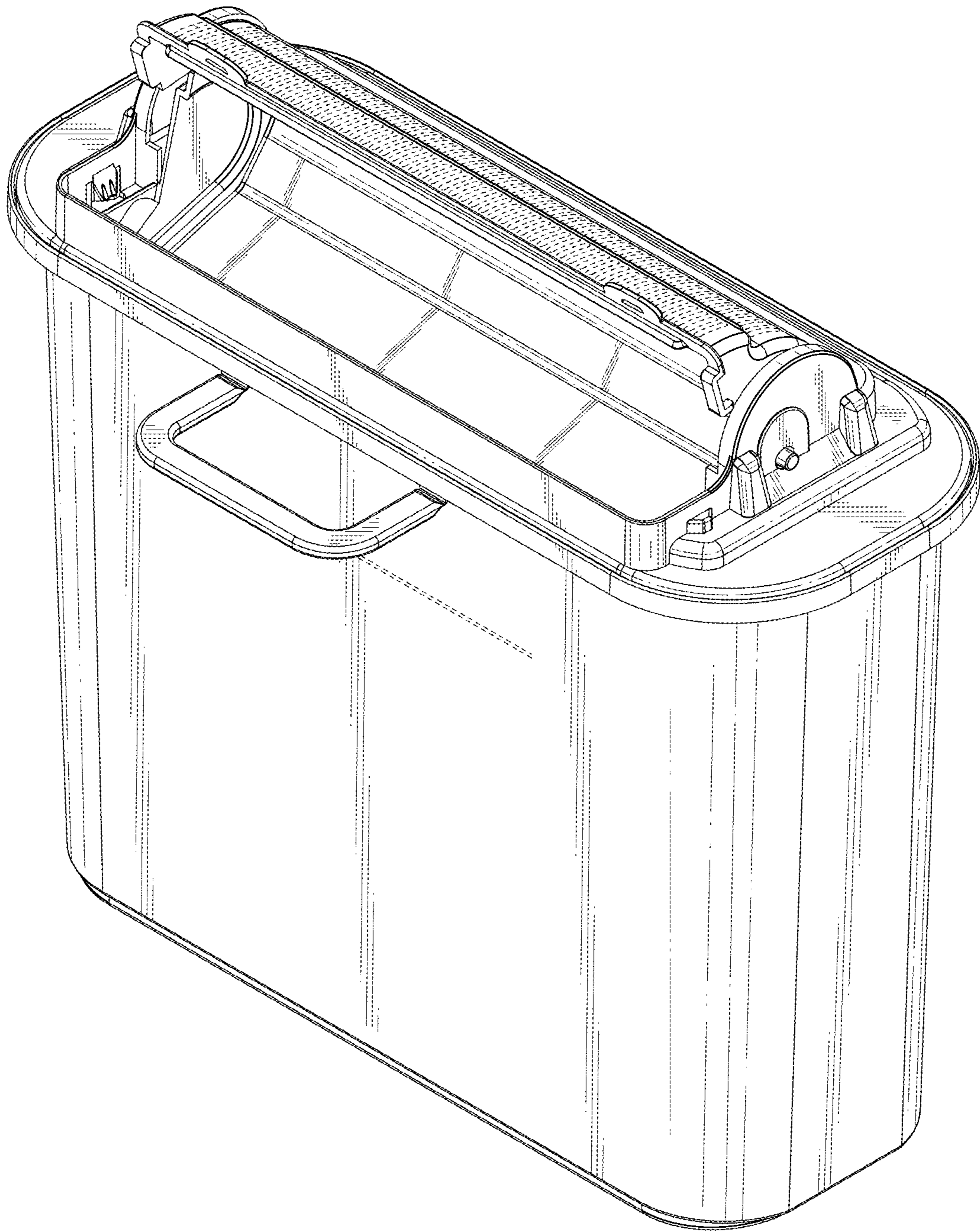


FIG. 3

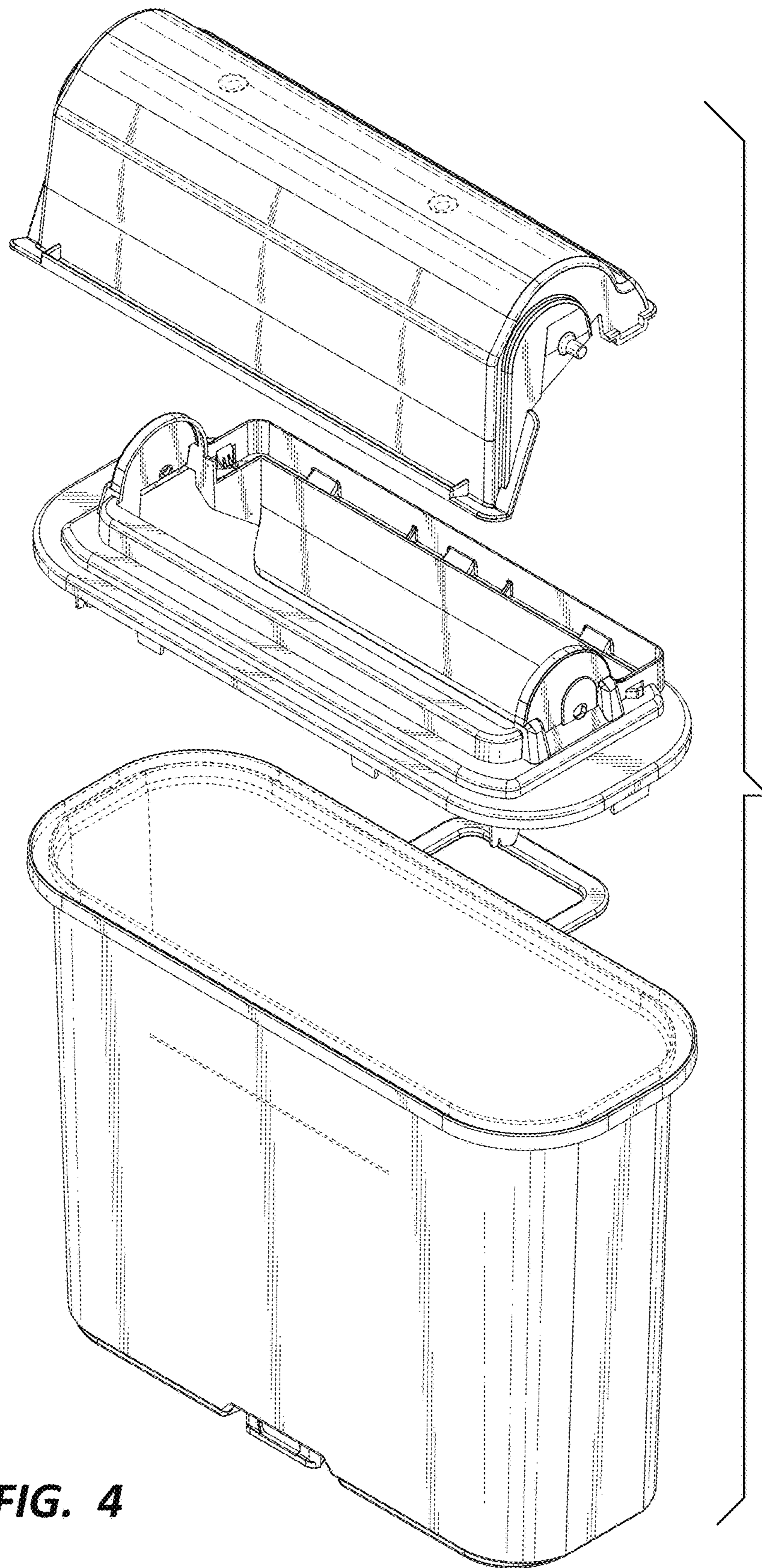


FIG. 4

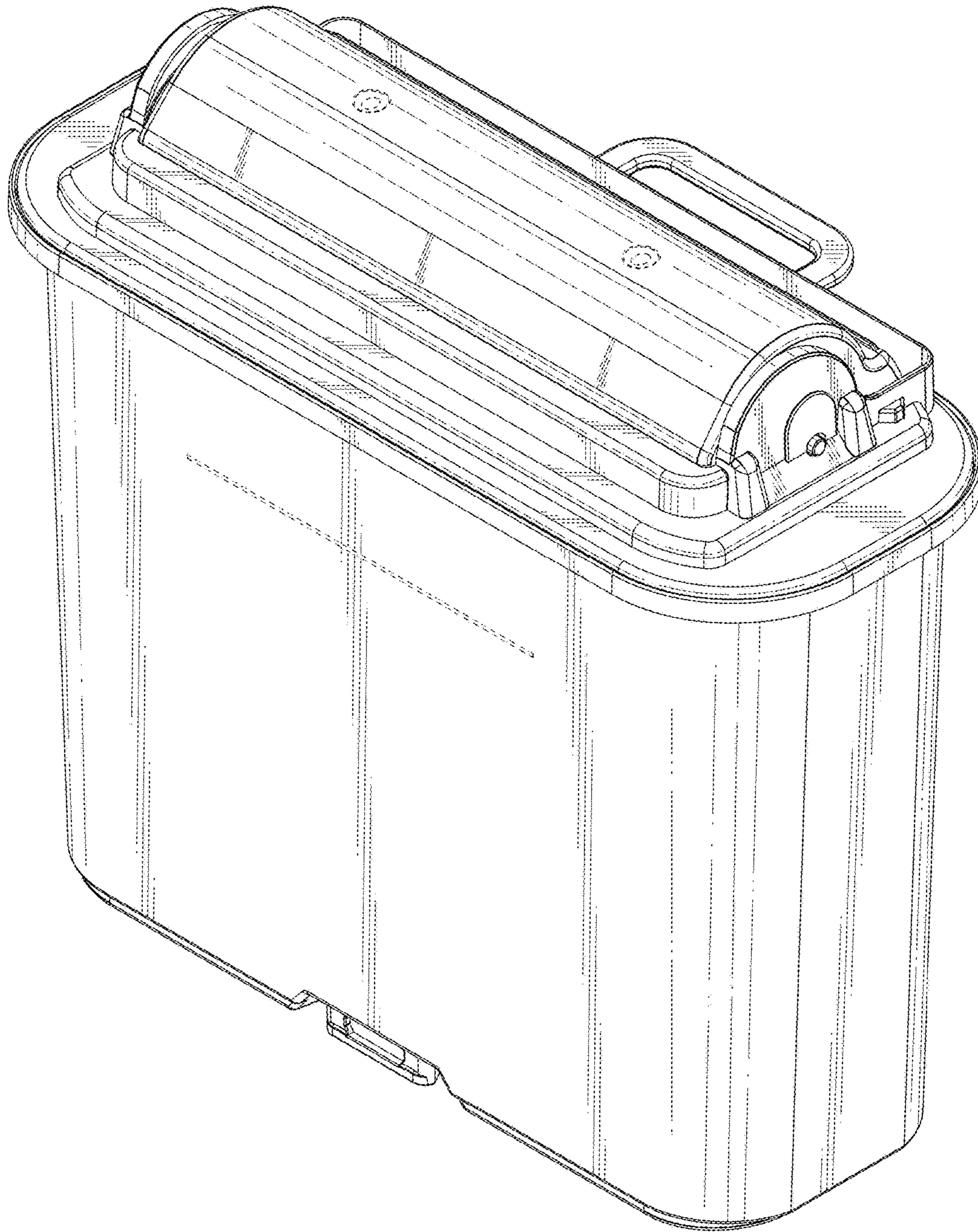


FIG. 5

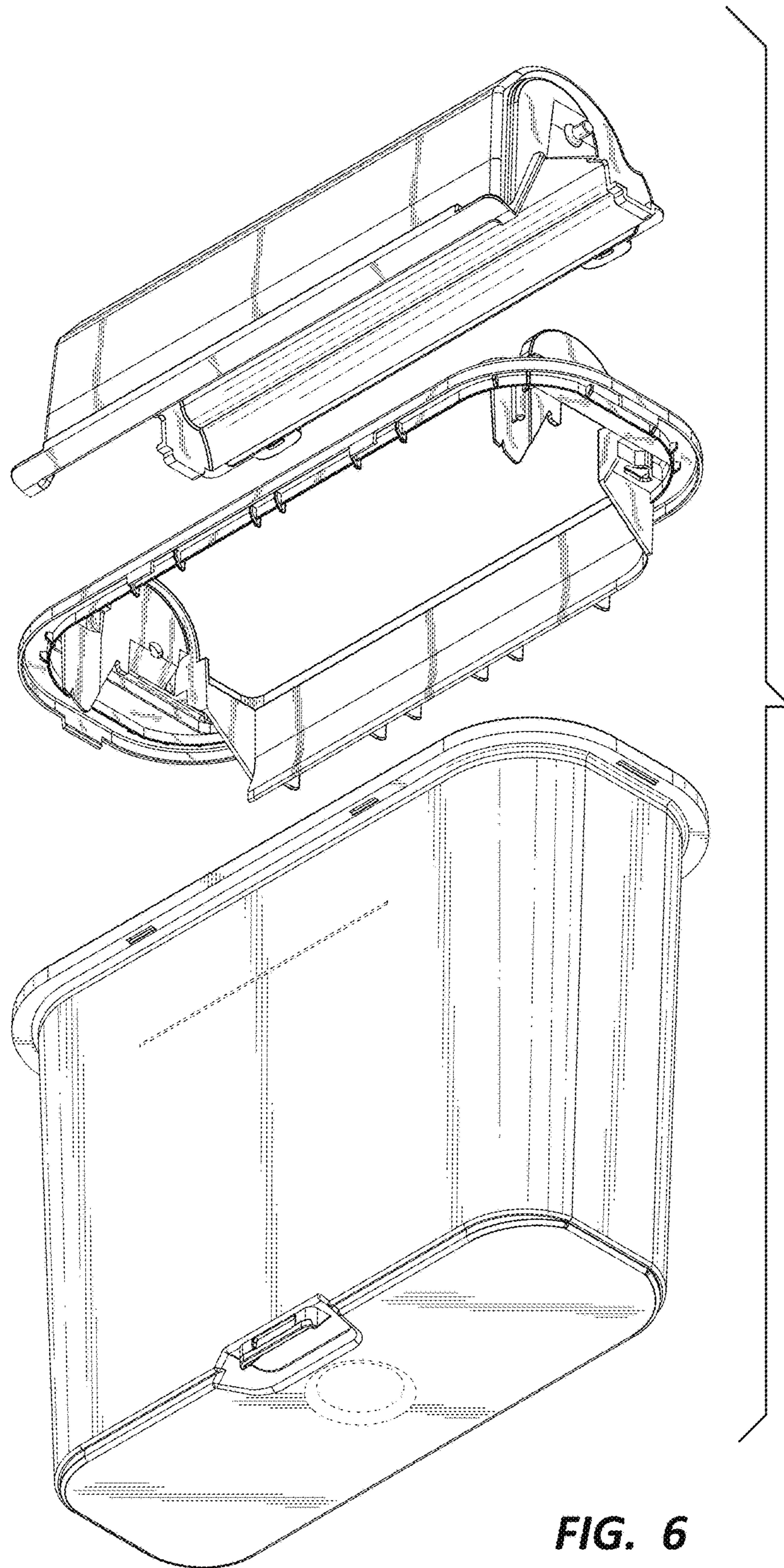


FIG. 6

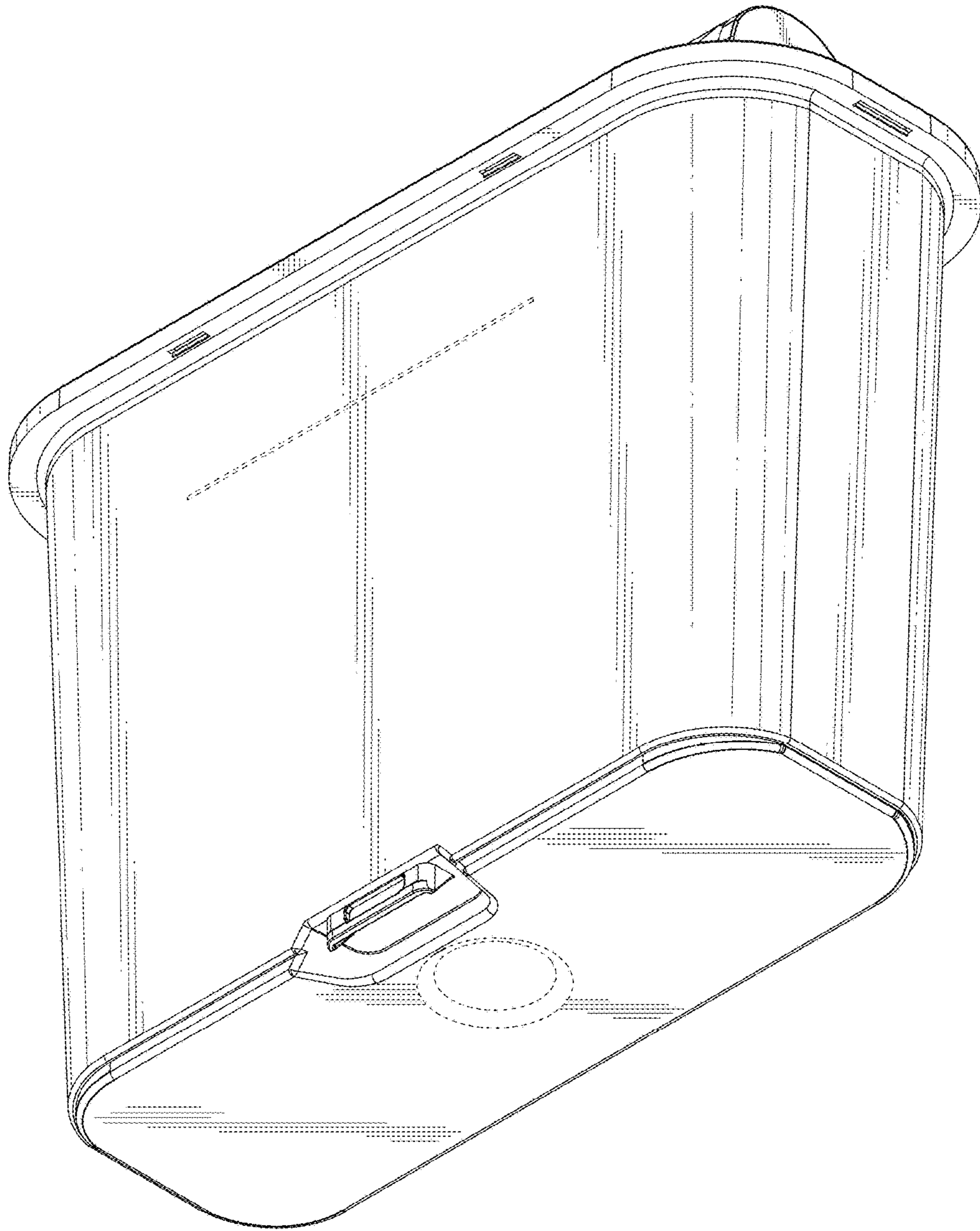


FIG. 7

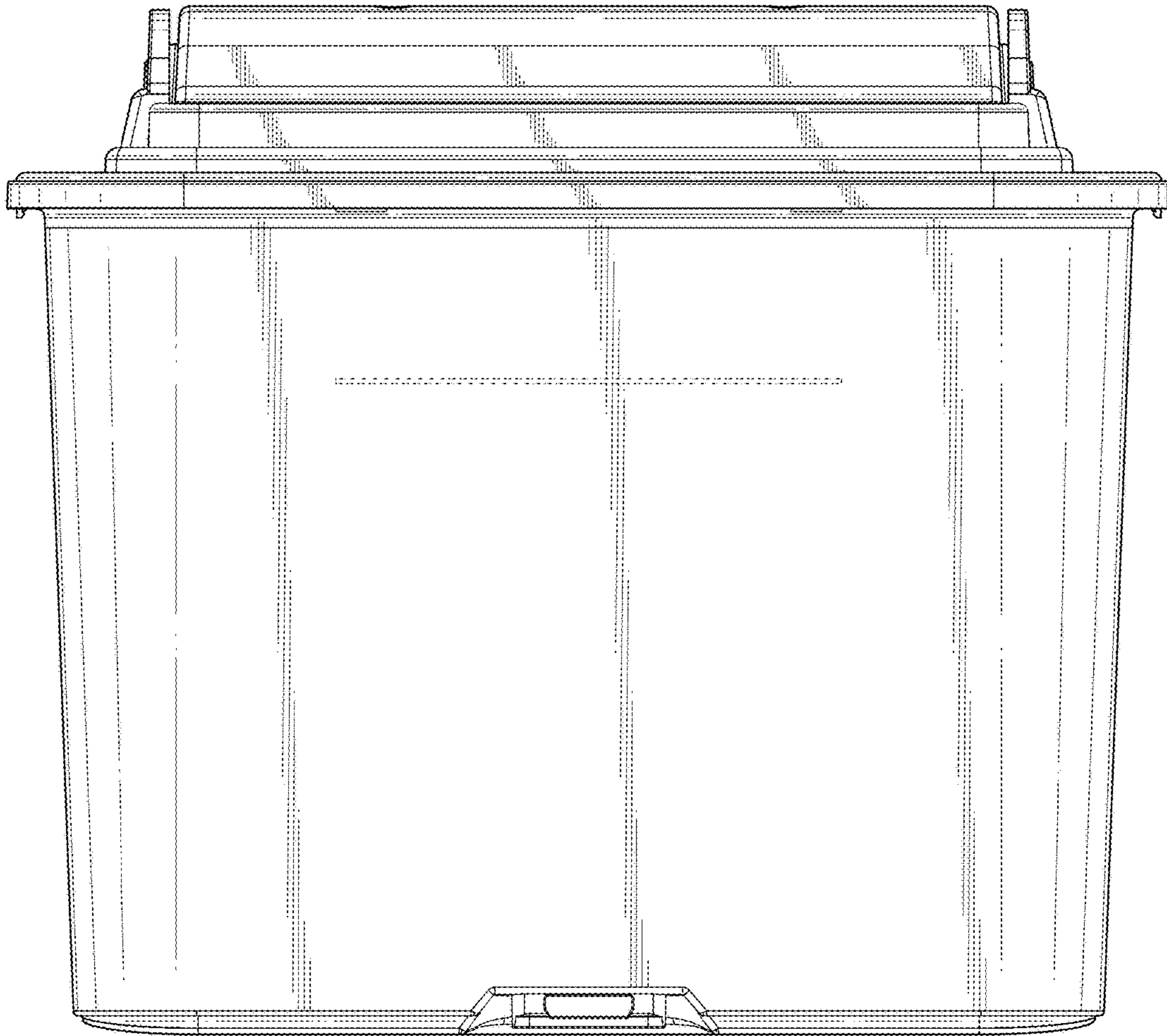


FIG. 8

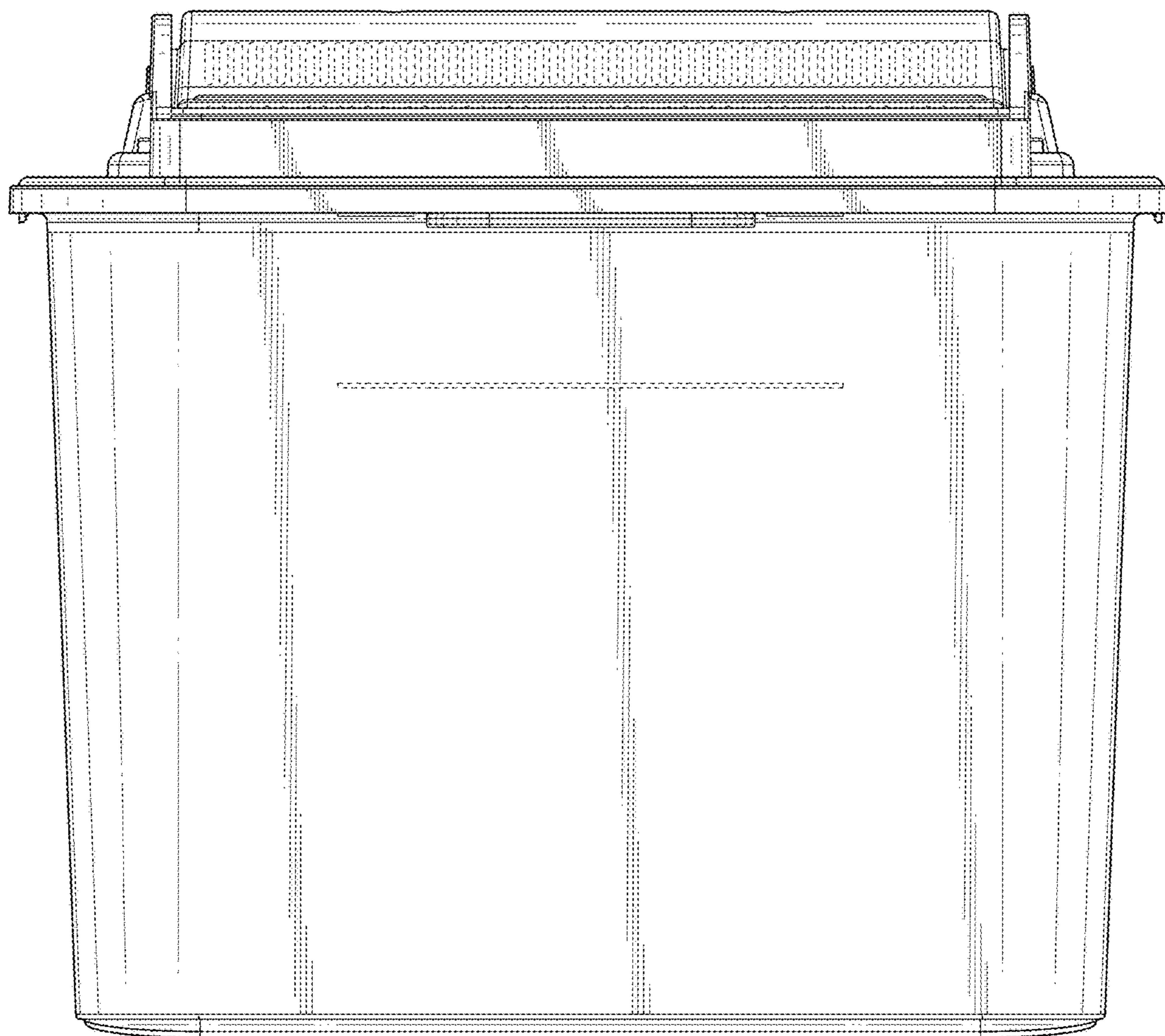


FIG. 9

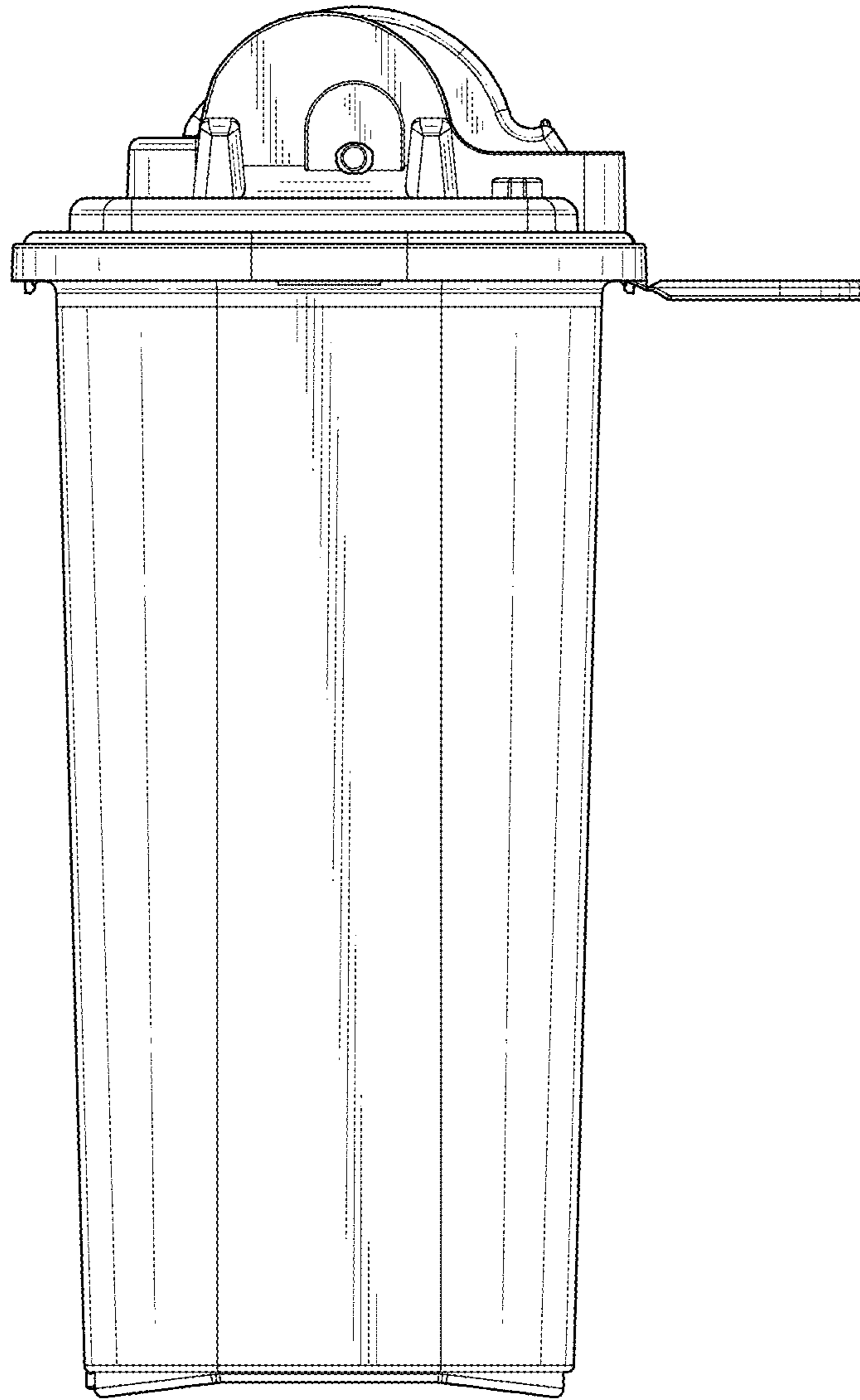


FIG. 10

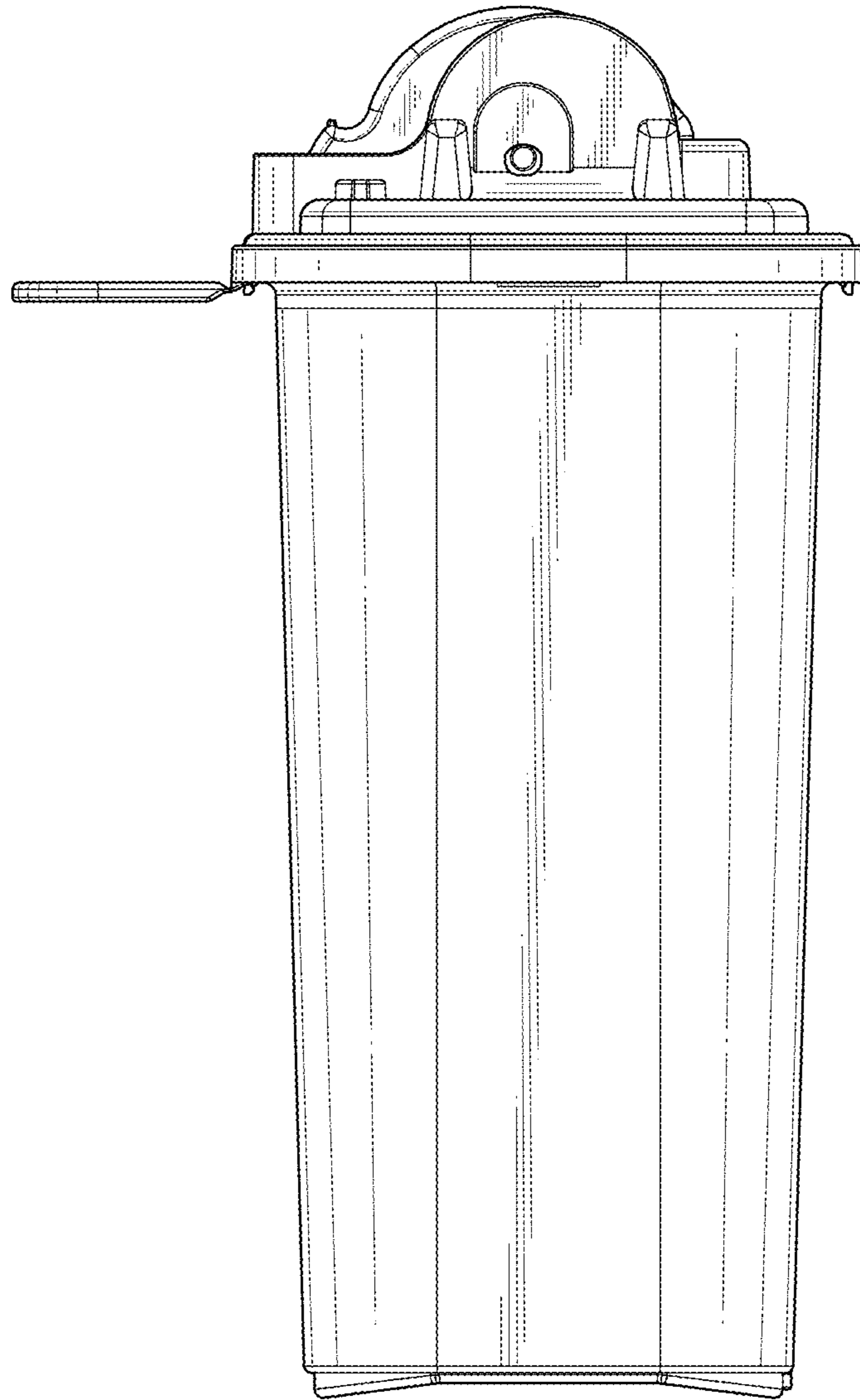


FIG. 11

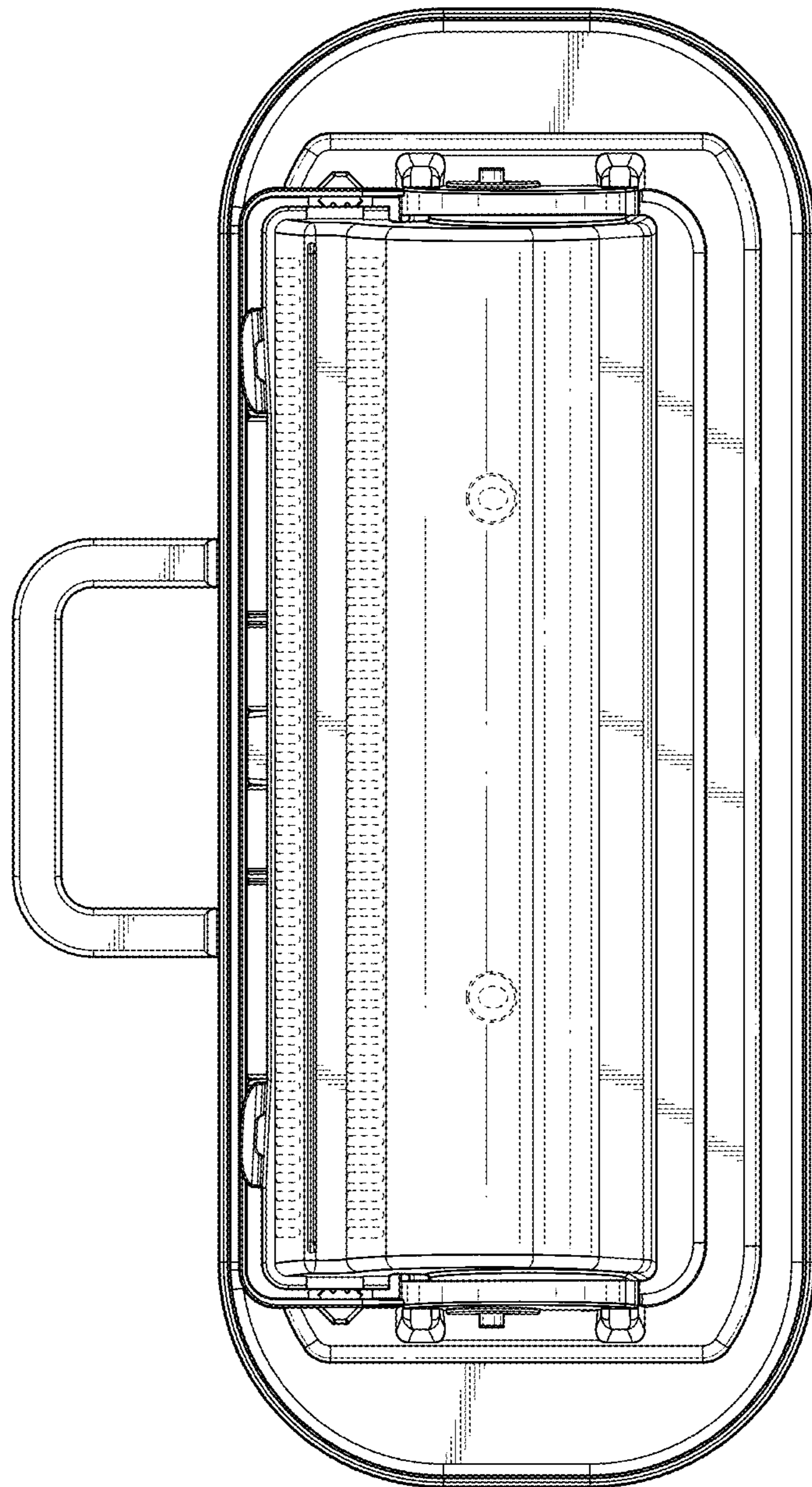


FIG. 12

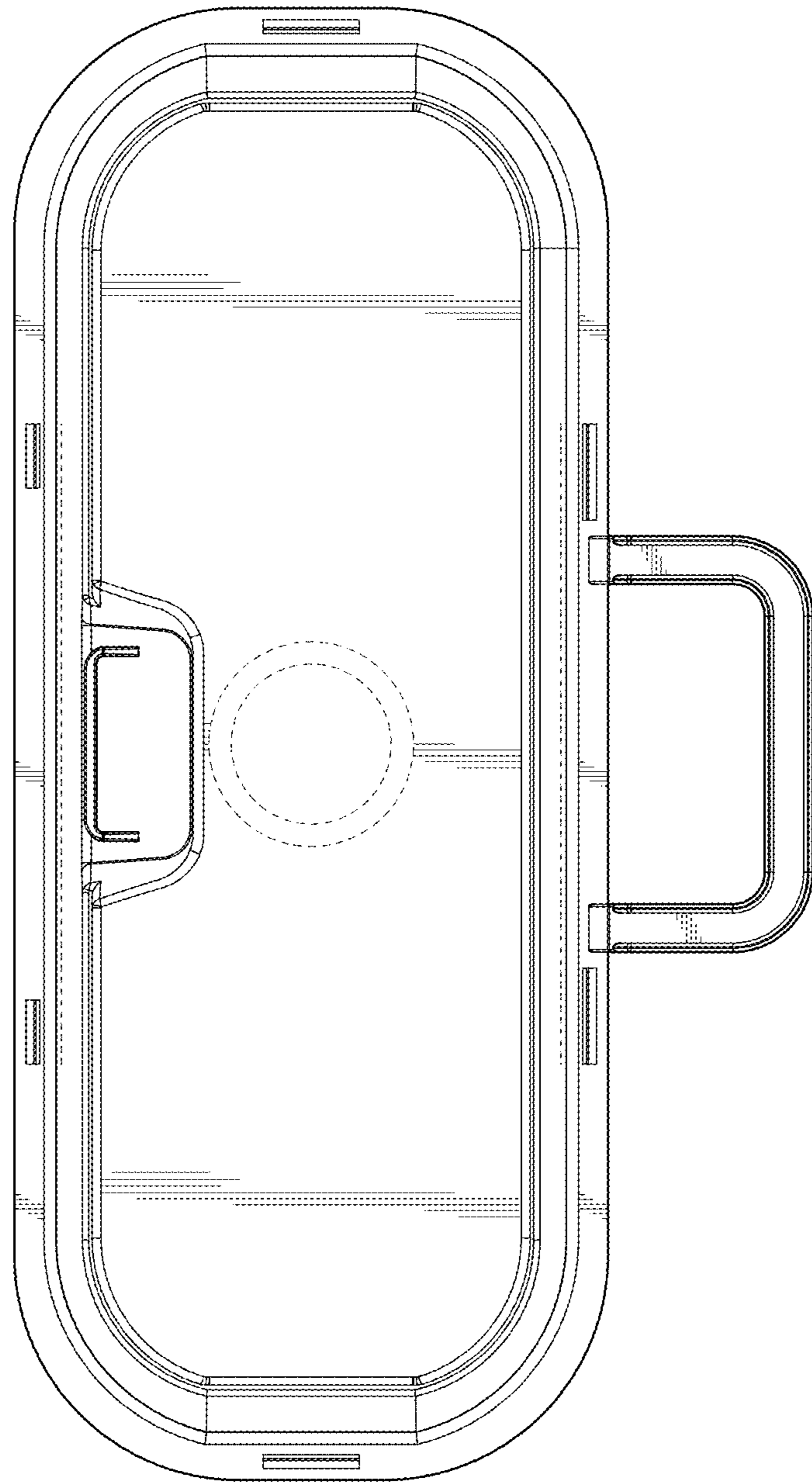


FIG. 13