

US00D807503S

(12) **United States Design Patent**
Davis et al.

(10) **Patent No.:** **US D807,503 S**
(45) **Date of Patent:** **** Jan. 9, 2018**

(54) **TIP CAP FOR FLUID DELIVERY DEVICE**

(71) Applicant: **NEOMED, INC.**, Woodstock, GA (US)

(72) Inventors: **Benjamin Martin Davis**, Woodstock, GA (US); **Aaron N. Ingram**, Canton, GA (US); **Mark M. Costello**, Co. Mayo (IE)

(73) Assignee: **NEOMED, INC.**, Woodstock, GA (US)

(**) Term: **15 Years**

(21) Appl. No.: **29/582,413**

(22) Filed: **Oct. 27, 2016**

Related U.S. Application Data

(60) Division of application No. 29/569,925, filed on Jul. 1, 2016, now Pat. No. Des. 789,529, which is a
(Continued)

(51) **LOC (11) Cl.** **24-02**

(52) **U.S. Cl.**
USPC **D24/130**

(58) **Field of Classification Search**
USPC D24/129, 130; D9/453
(Continued)

(56) **References Cited**

U.S. PATENT DOCUMENTS

3,344,786 A 10/1967 Berg et al.
3,572,337 A 3/1971 Schunk
(Continued)

FOREIGN PATENT DOCUMENTS

EP 2269685 A2 1/2011
FR 2930428 A1 10/2009
(Continued)

OTHER PUBLICATIONS

Alternative Syringes Low Displacement Option PowerPoint Presentation; Presented by Rork Swisher of Covidien; ISO 80369 Series Meeting; Berlin Germany; 11 pgs; Mar. 19, 2014.pgs.

(Continued)

Primary Examiner — Richelle G Shelton

(74) *Attorney, Agent, or Firm* — Gardner Groff Greenwald & Villanueva, PC

(57) **CLAIM**

The ornamental design for a tip cap for fluid delivery device, substantially as shown and described.

DESCRIPTION

FIG. 1 is a top perspective view of a tip cap for fluid delivery device according to an embodiment of the design.

FIG. 2 is a bottom perspective view thereof.

FIG. 3 is a front elevation view thereof, the rear, left and right elevation views being identical.

FIG. 4 is a top plan view thereof.

FIG. 5 is a bottom plan view thereof.

FIG. 6 is a cross-sectional view thereof, taken along line 6-6 of FIG. 5.

FIG. 7 is a top perspective view of the tip cap for fluid delivery device according to another embodiment of the design.

FIG. 8 is a bottom perspective view thereof.

FIG. 9 is a front elevation view thereof, the rear, left and right elevation views being identical.

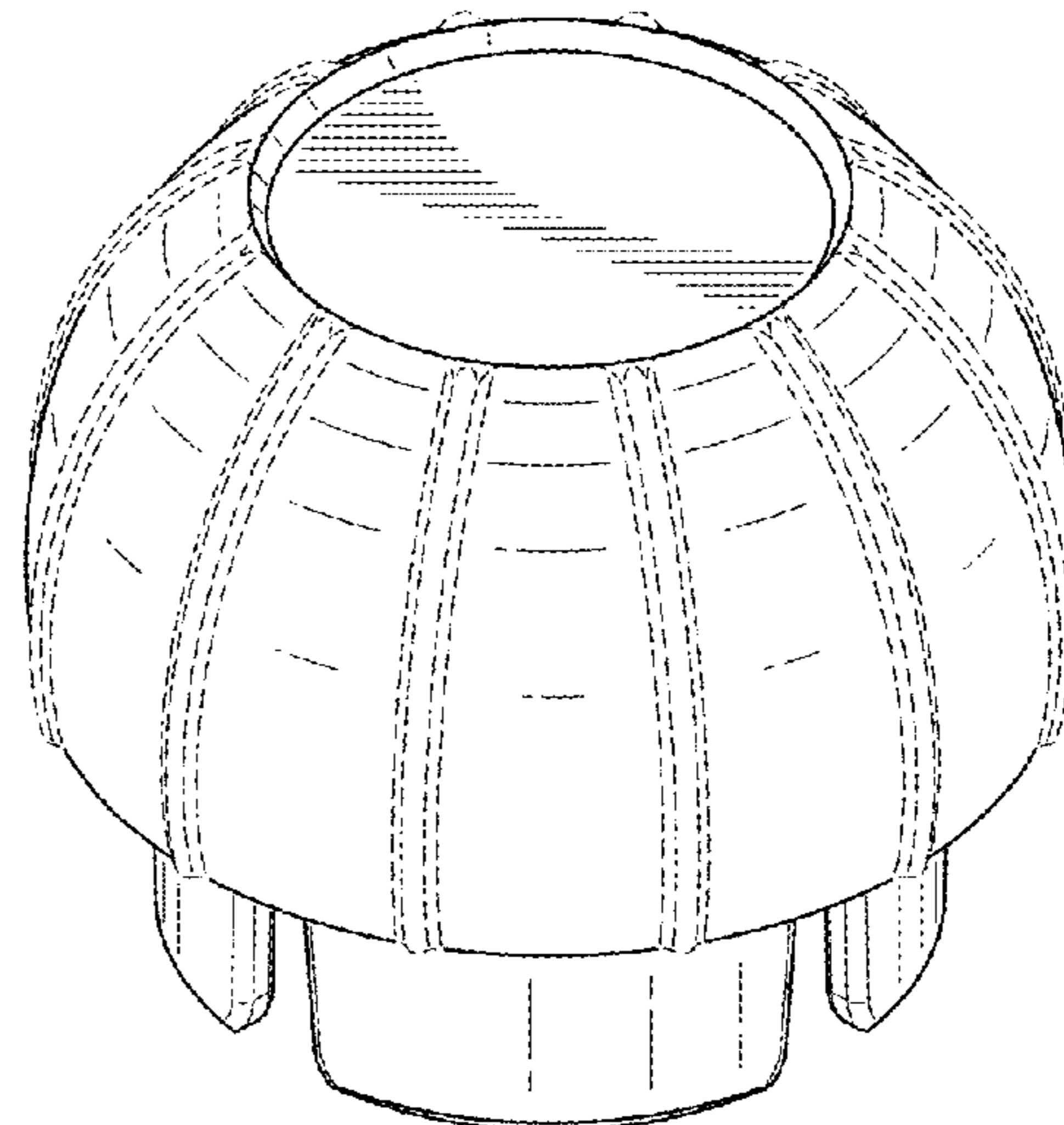
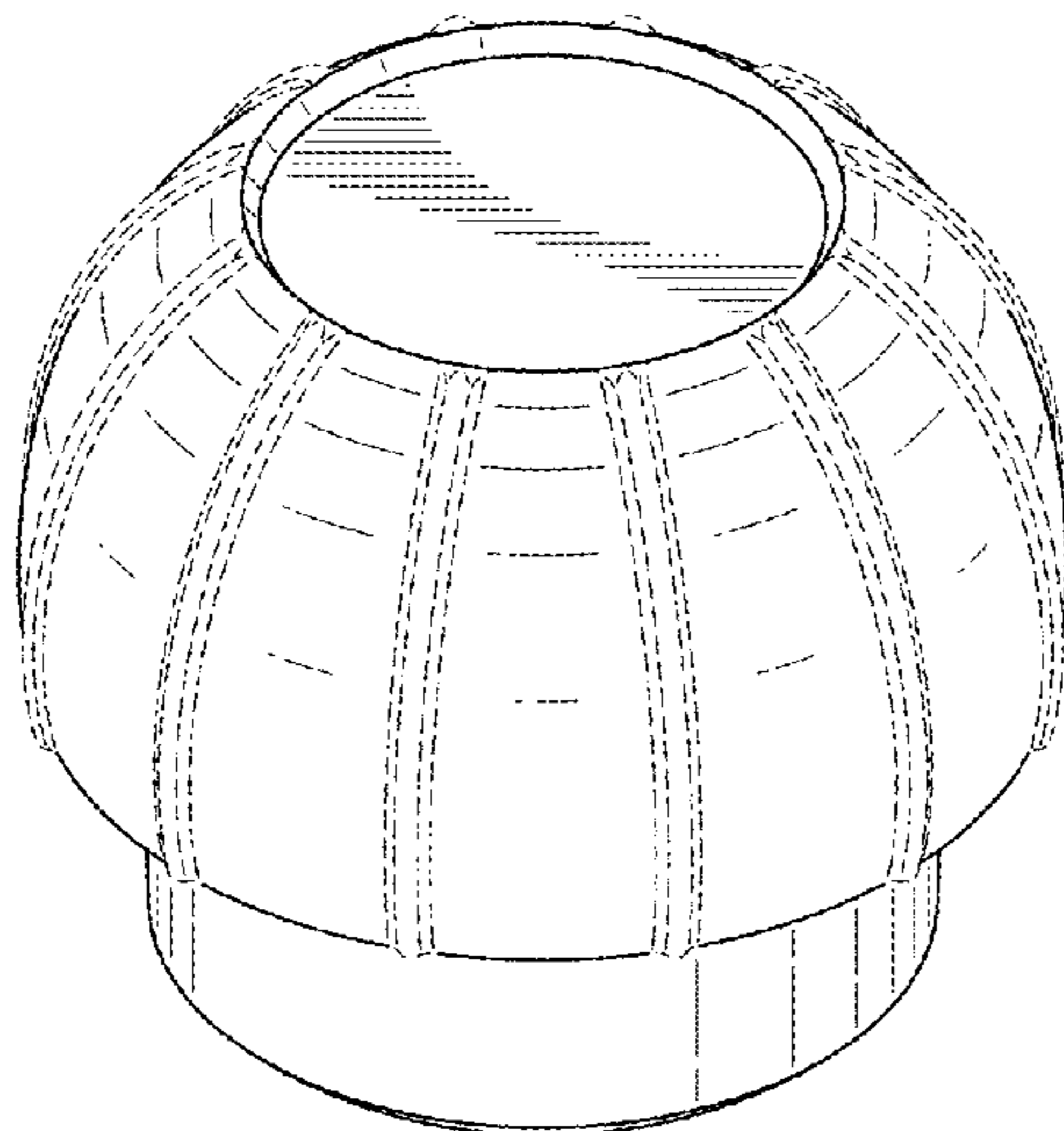
FIG. 10 is a top plan view thereof.

FIG. 11 is a bottom plan view thereof; and,

FIG. 12 is a cross-sectional view taken along line 12-12 of FIG. 11.

Portions of the article shown in broken lines form no part of the claimed design. The broken lines shown in FIGS. 6 and 12 illustrate the planes upon which the cross sections are taken and form no part of the claimed design.

1 Claim, 4 Drawing Sheets



Related U.S. Application Data

continuation-in-part of application No. 14/844,922, filed on Sep. 3, 2015, application No. 29/569,925, which is a continuation-in-part of application No. 29/533,173, filed on Jul. 15, 2015, which is a continuation-in-part of application No. 29/521,665, filed on Mar. 25, 2015.

(58) **Field of Classification Search**

CPC .. A61M 5/3202; A61M 5/3134; A61J 1/1425;
B65D 41/16; F16K 21/08

See application file for complete search history.

(56) **References Cited**

U.S. PATENT DOCUMENTS

3,712,749	A	1/1973	Roberts
3,937,211	A	2/1976	Merten
4,043,334	A	8/1977	Brown et al.
4,286,591	A	9/1981	Raines
D309,710	S	8/1990	Groves
D310,028	S	8/1990	Brandt et al.
D378,233	S	2/1997	Warner
5,797,885	A	8/1998	Rubin
D432,916	S	10/2000	Drinkwater et al.
6,270,519	B1	8/2001	Botts
6,749,092	B2	6/2004	Olechowski et al.
D547,657	S	7/2007	Tacchella
D596,487	S	7/2009	Batton et al.
D602,355	S	10/2009	Waaland
D617,187	S	6/2010	Murray
8,016,795	B2	9/2011	Barrelle et al.
8,099,932	B2	1/2012	Peacop et al.
8,343,041	B2	1/2013	Byers et al.
D682,688	S	5/2013	Murray
D684,055	S	6/2013	Kwon
D684,057	S	6/2013	Kwon
D686,495	S	7/2013	Murray
8,528,757	B2	9/2013	Bisio

D692,143	S	10/2013	Shahidi Bonjar
D705,061	S	5/2014	Jo et al.
D710,695	S	8/2014	Pritikin
D712,744	S	9/2014	Neputy et al.
D713,247	S	9/2014	Webster et al.
D715,143	S	10/2014	Hewitt et al.
D715,146	S	10/2014	Holmes
D726,308	S	4/2015	Shubin, Sr. et al.
9,016,473	B2	4/2015	Tamarindo
D731,647	S	6/2015	Nishioka et al.
D735,038	S	7/2015	Tamarindo
D741,996	S	10/2015	Strong et al.
D759,486	S	6/2016	Ingram et al.
2009/0223963	A1*	9/2009	Bisio B65D 41/3404 220/304
2010/0252564	A1	10/2010	Martinez et al.
2016/0067422	A1	3/2016	Davis et al.

FOREIGN PATENT DOCUMENTS

JP	H10297655	A	11/1998
WO	9200717	A1	1/1992
WO	2008128074	A2	10/2008
WO	2014049097	A1	4/2014

OTHER PUBLICATIONS

Baxa Self-Righting Luer Tip Caps; www.iso-med.com; 1 pg; 2008.
Comar Tip Caps; 1 pg; date unknown.
International Search Report & Written Opinion for PCT/US2015/048380; 10 pgs; dated Oct. 29, 2015.
International Search Report & Written Opinion for PCT/US2016/023771; dated Jun. 27, 2016; 17 pgs.
NeoMed Self-Righting Tip Cap; 1 pg; 2008.
New ISO Tubing Connector Standards: A Follow-Up to the Sentinel Event Alert Webinar PowerPoint Presentation; www.jointcommission.org; 50 pgs; Dec. 3, 2014.
New Tube Feeding Connectors Webinar PowerPoint Presentation; www.oley.org; 24 pgs; Jun. 24, 2014.

* cited by examiner

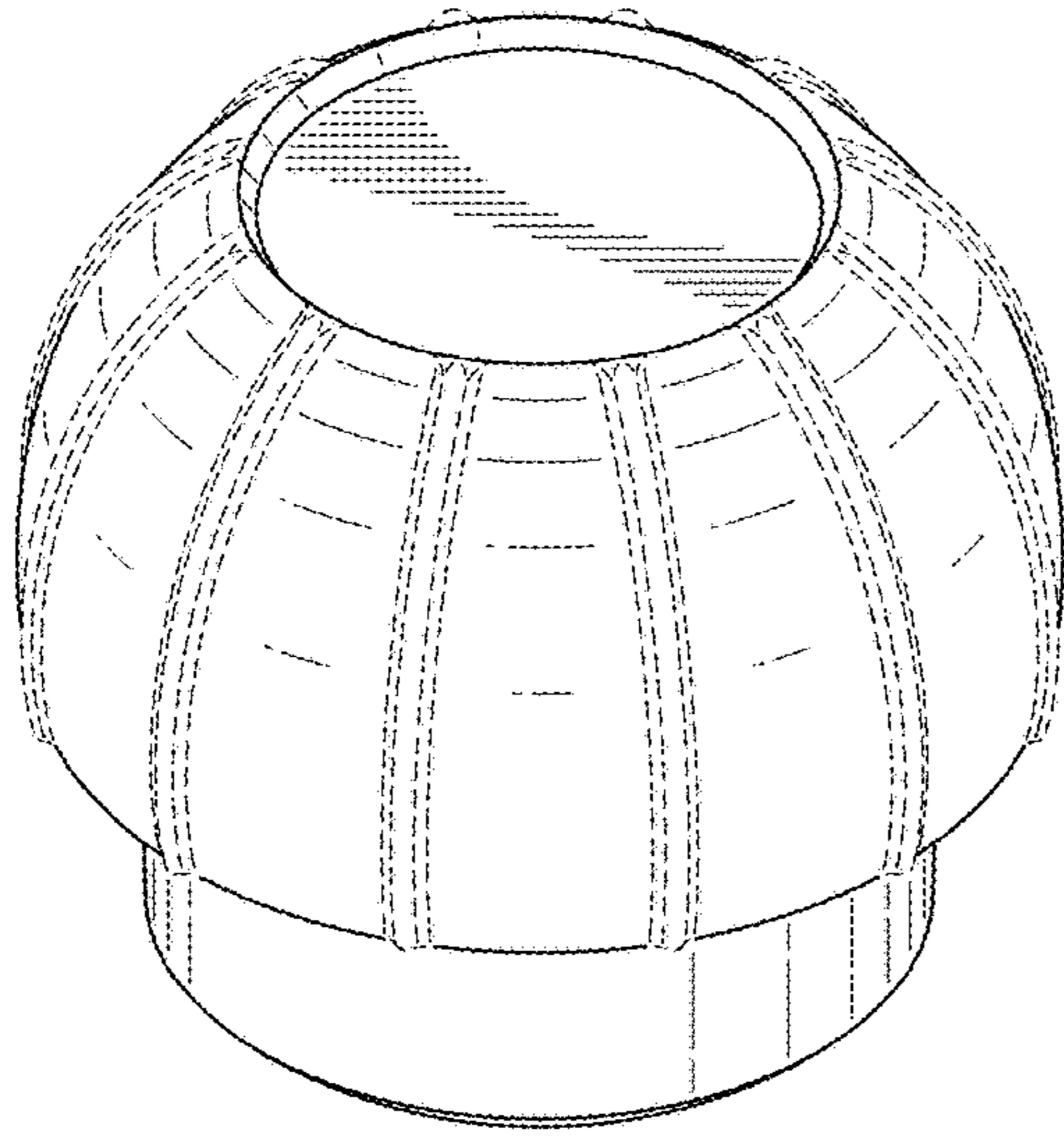


FIG. 1

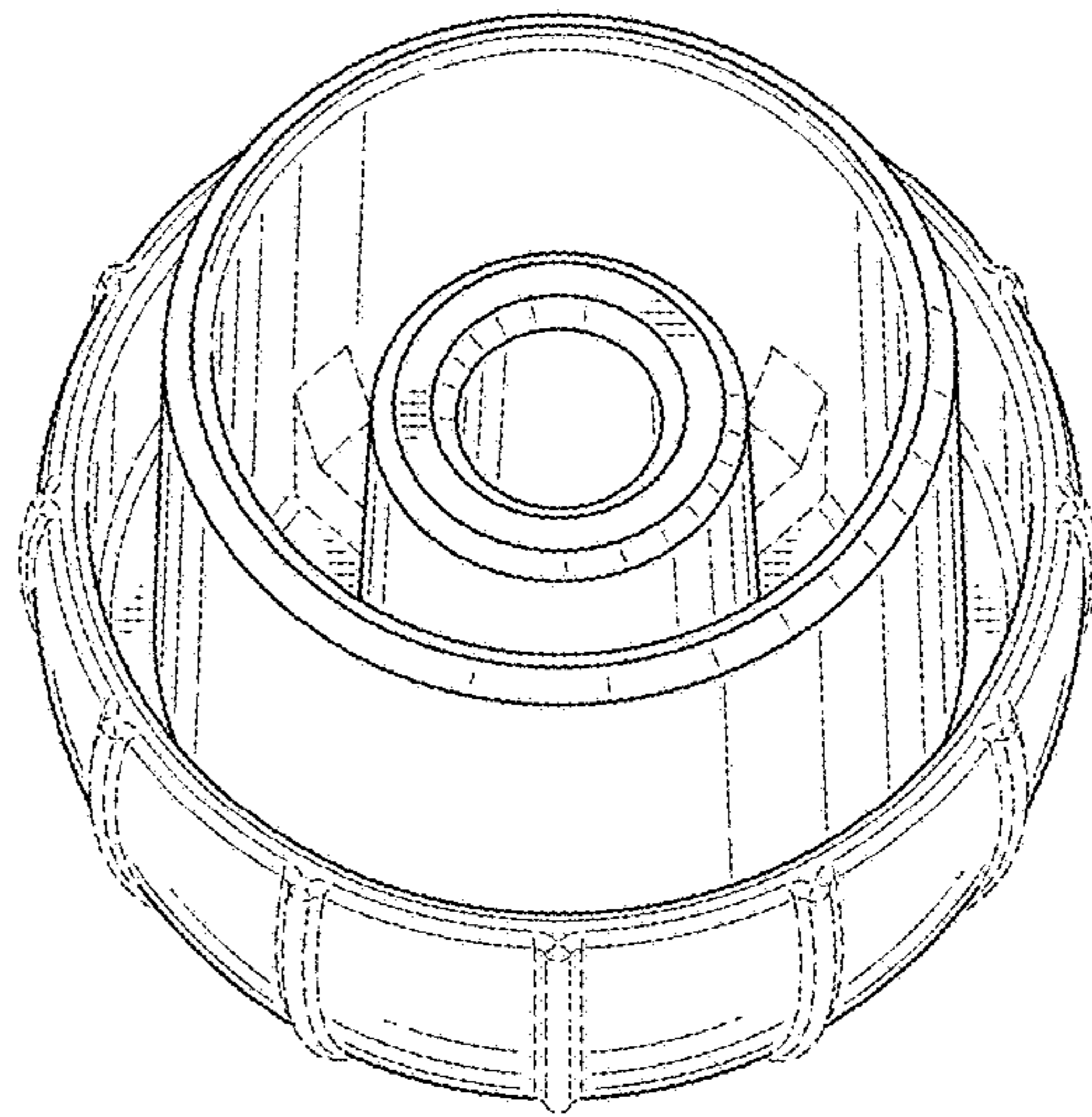


FIG. 2

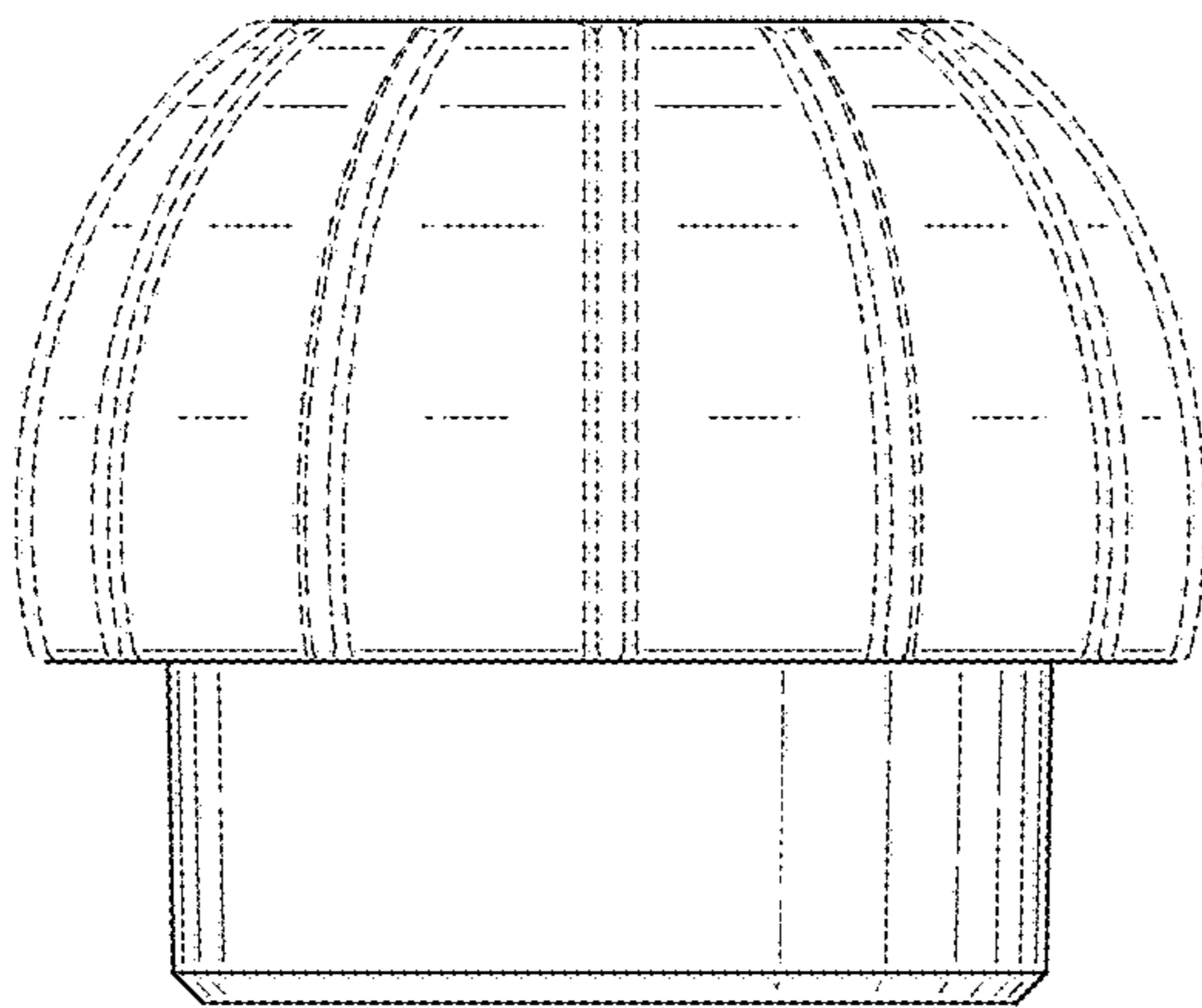


FIG. 3

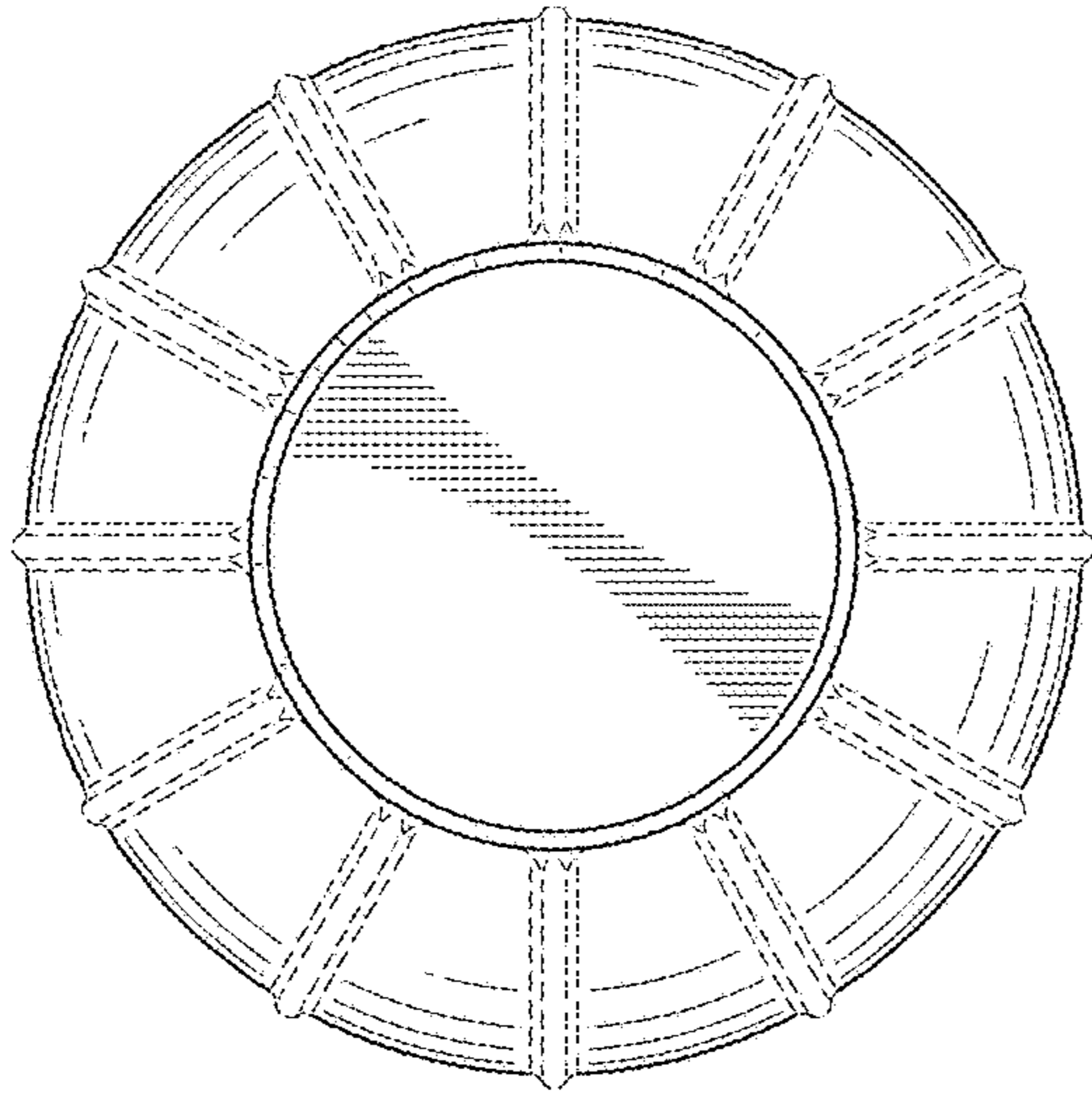


FIG. 4

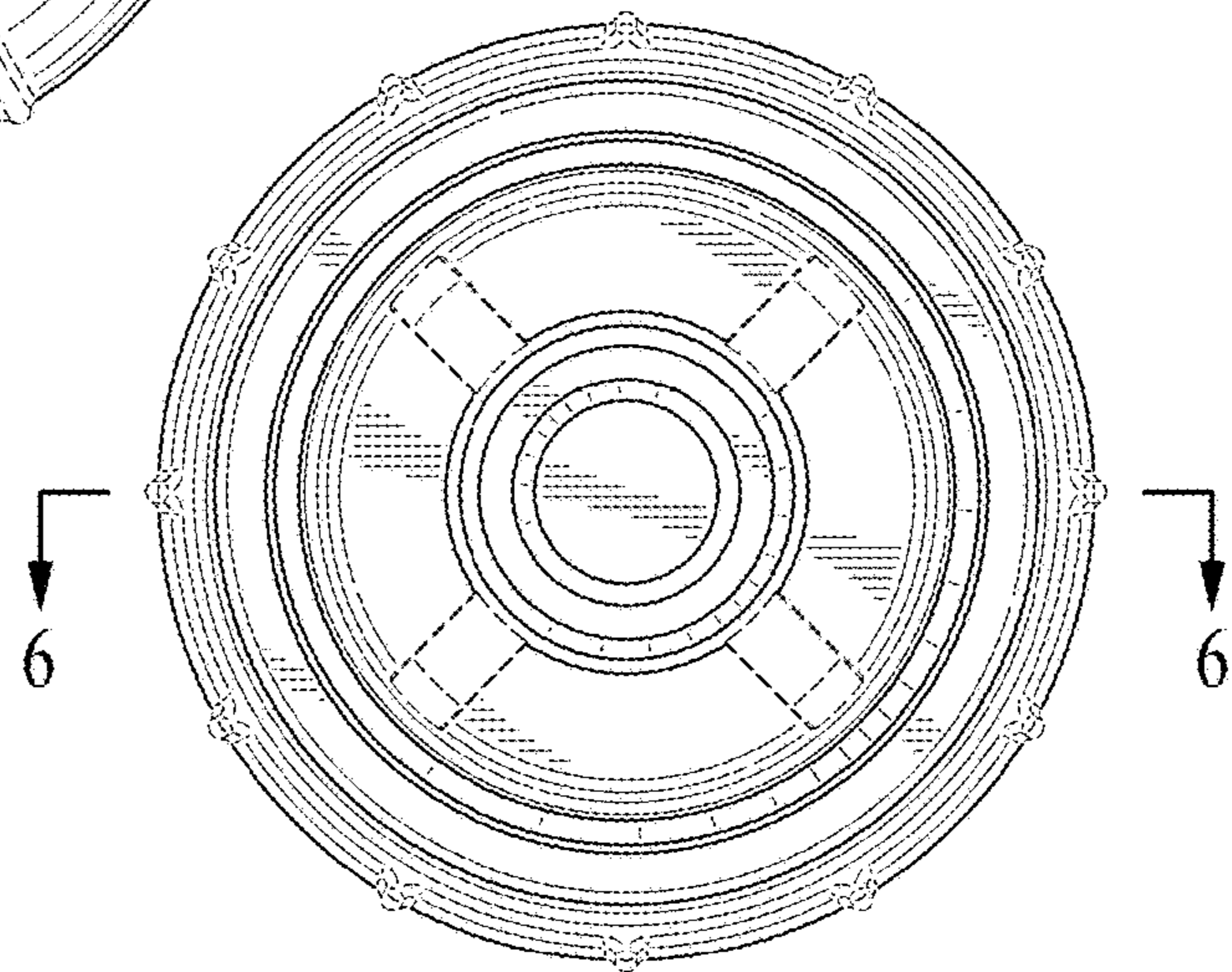


FIG. 5

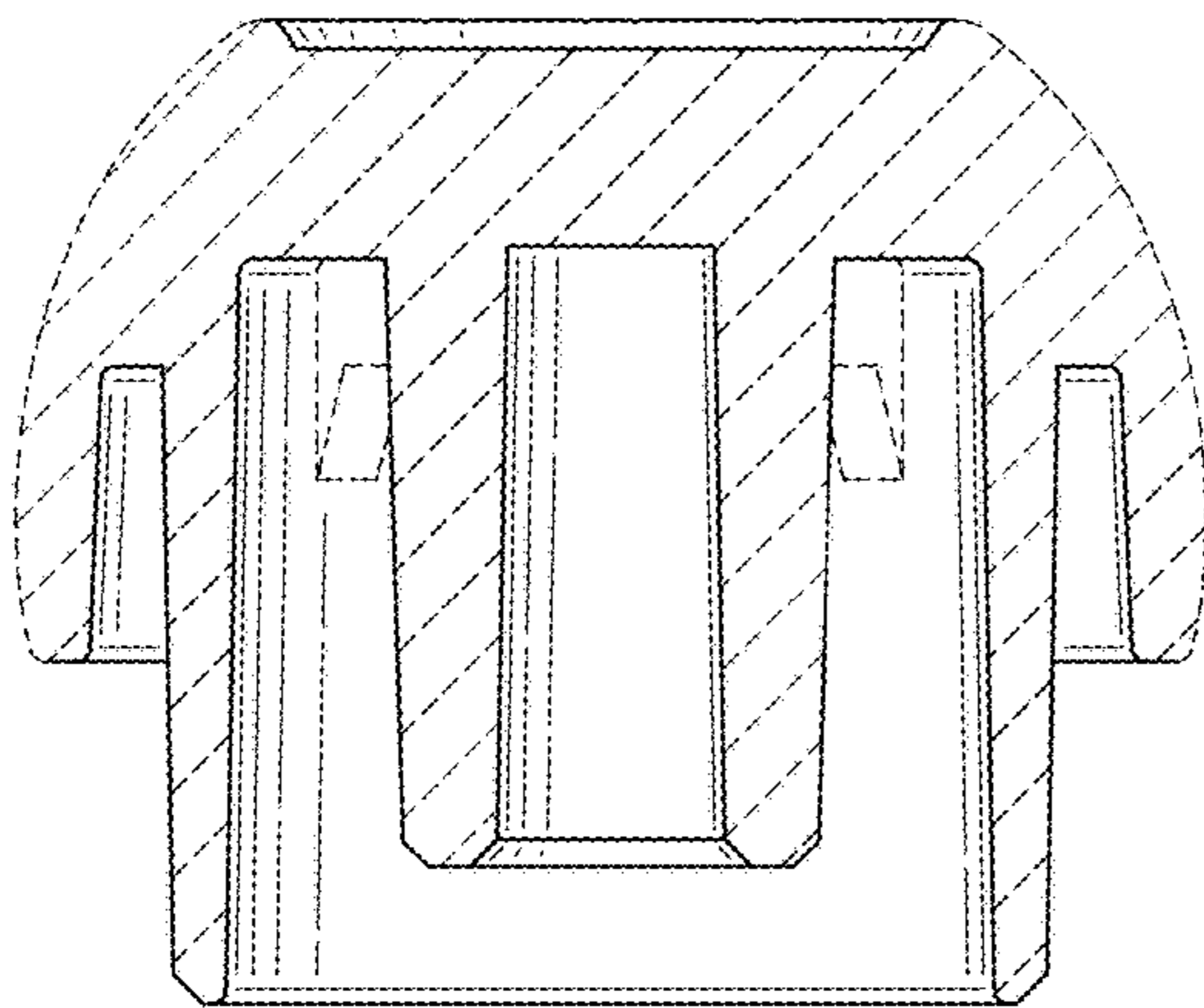


FIG. 6

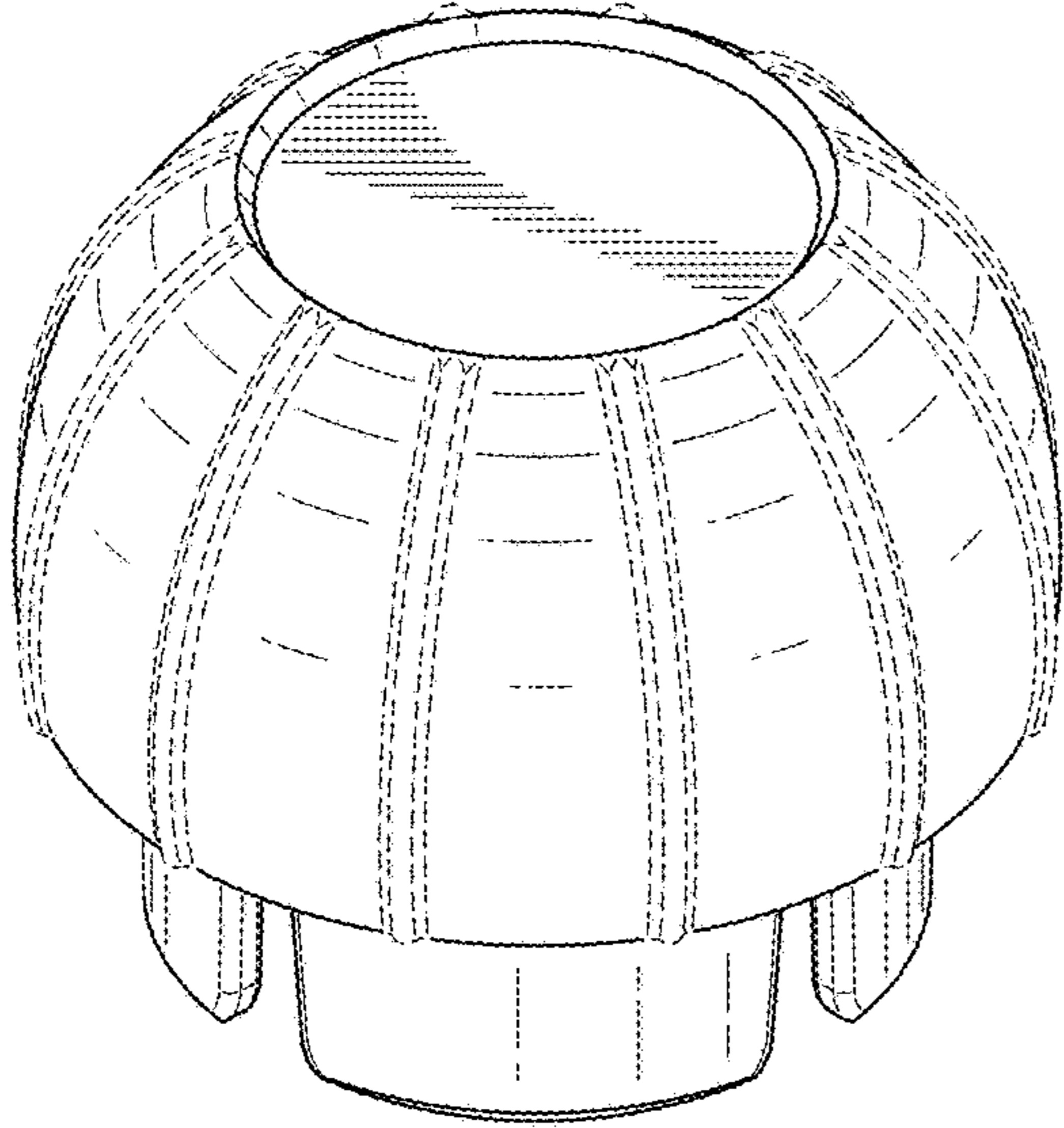


FIG. 7

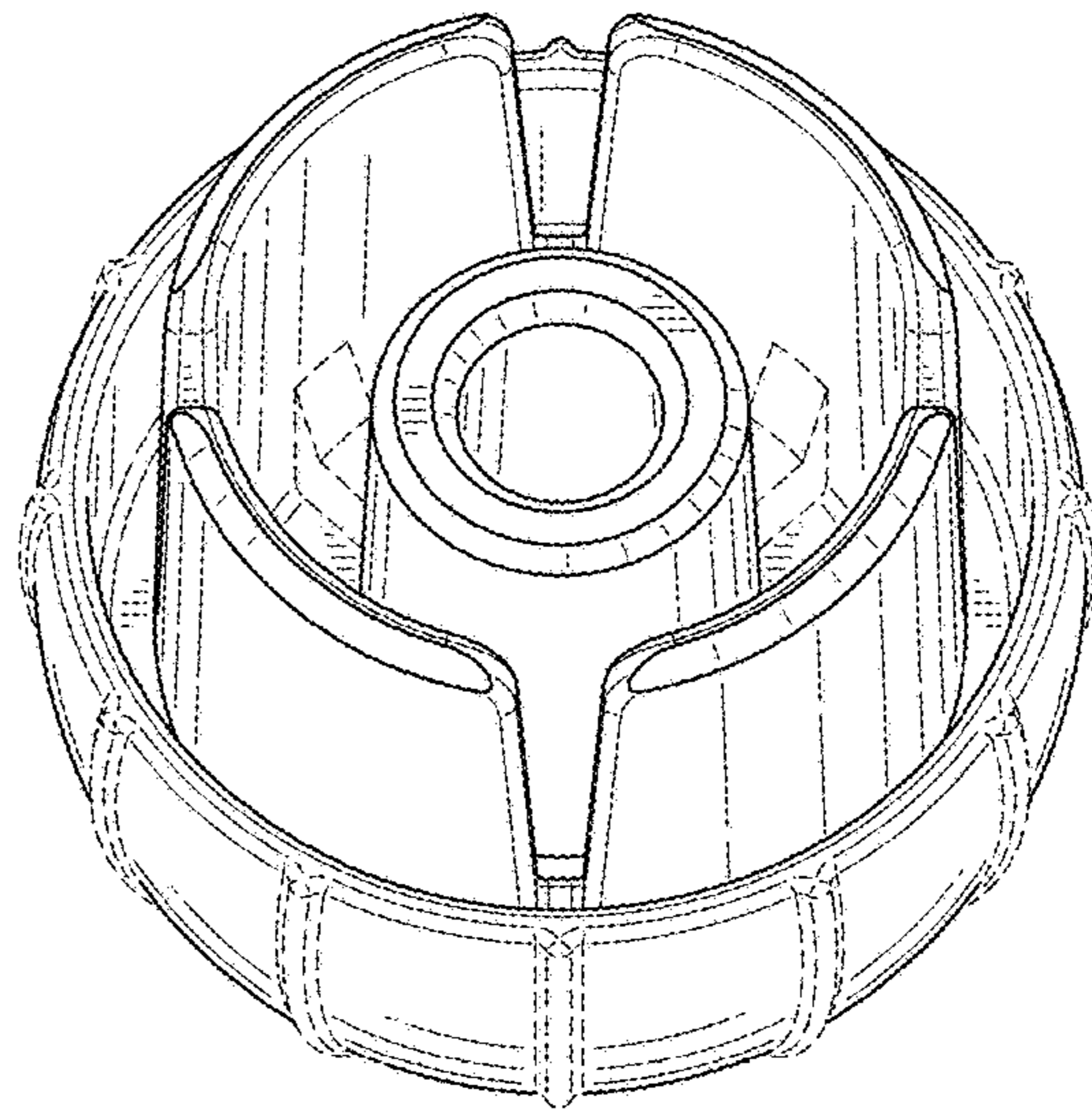


FIG. 8

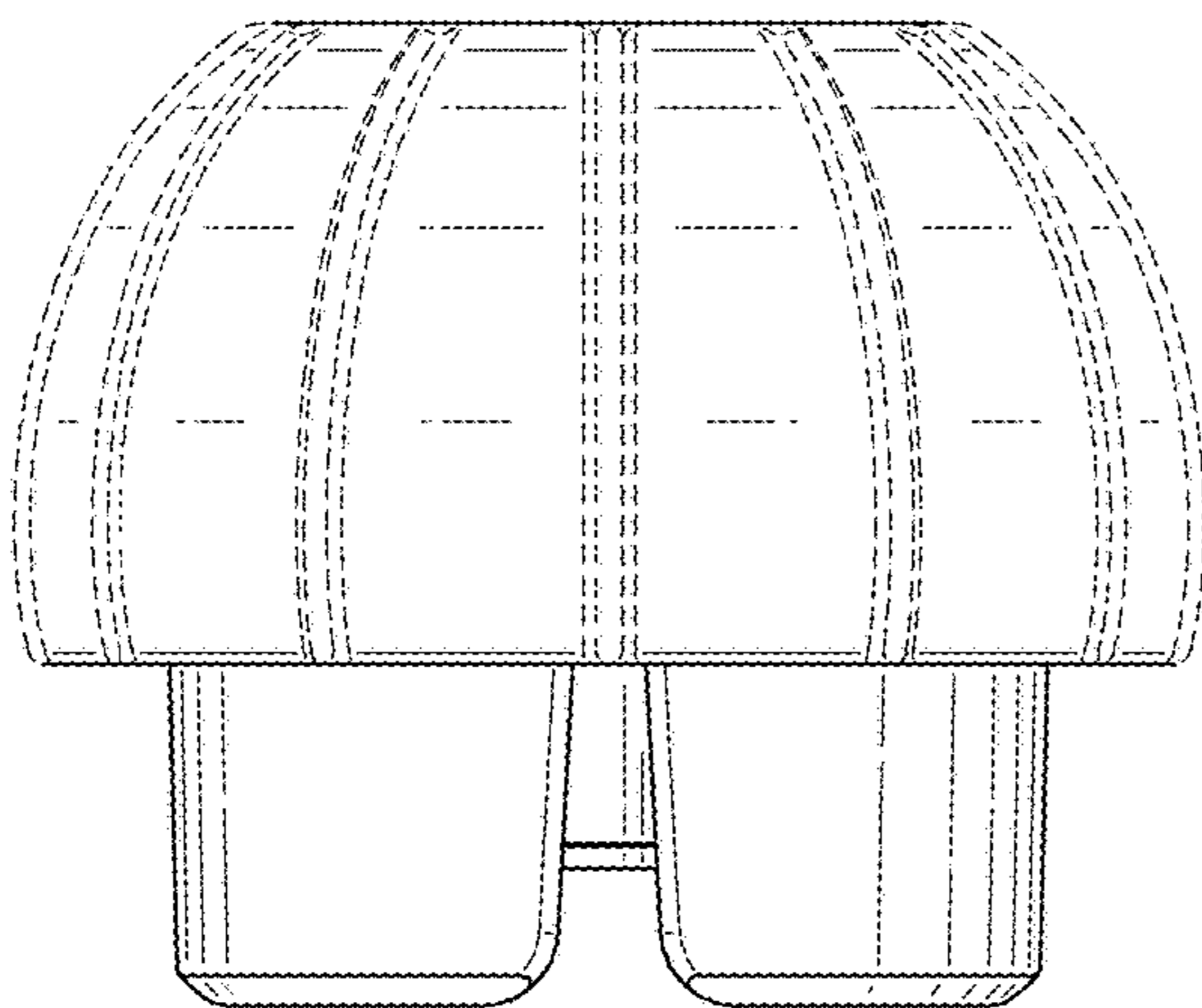


FIG. 9

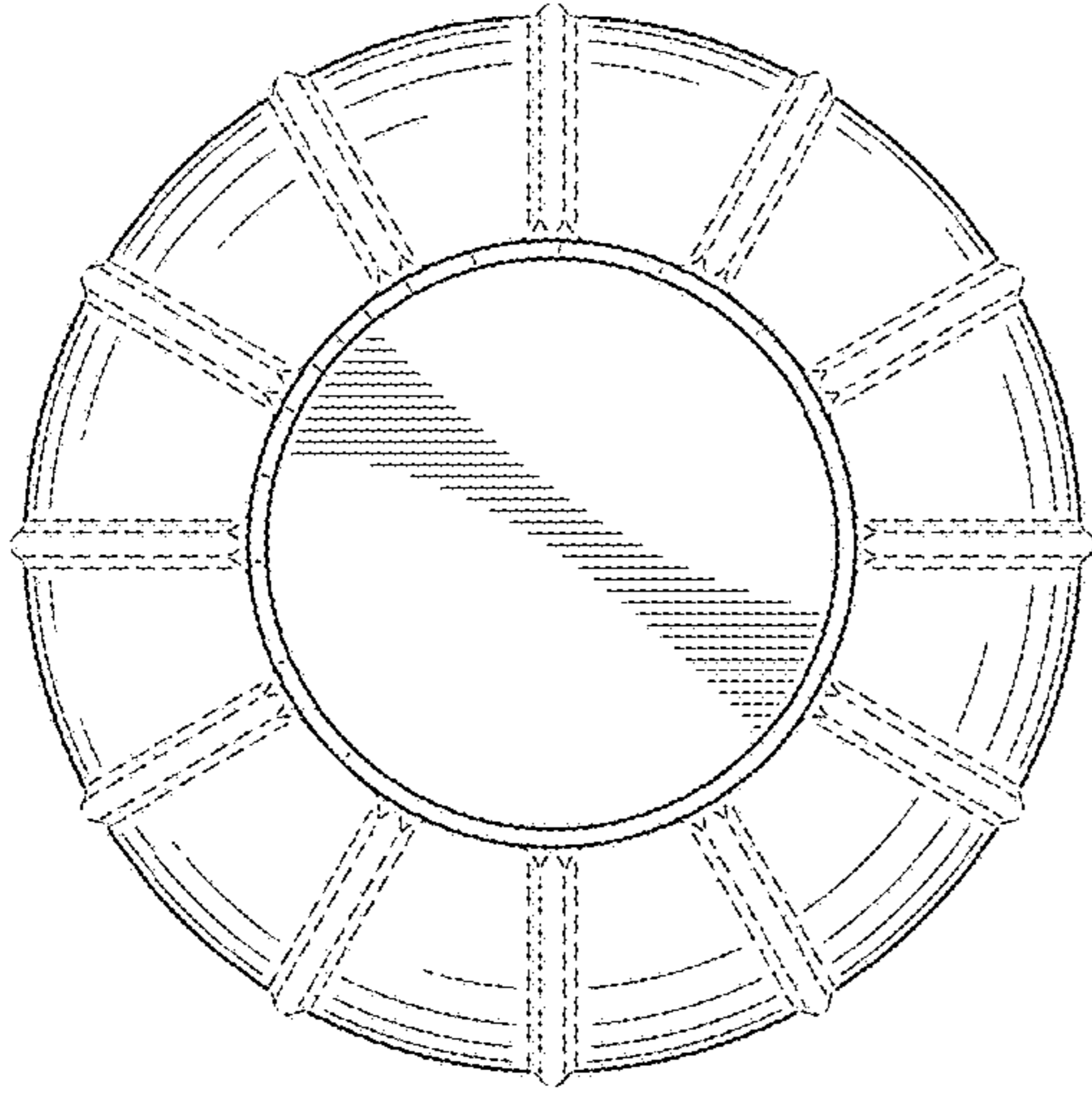


FIG. 10

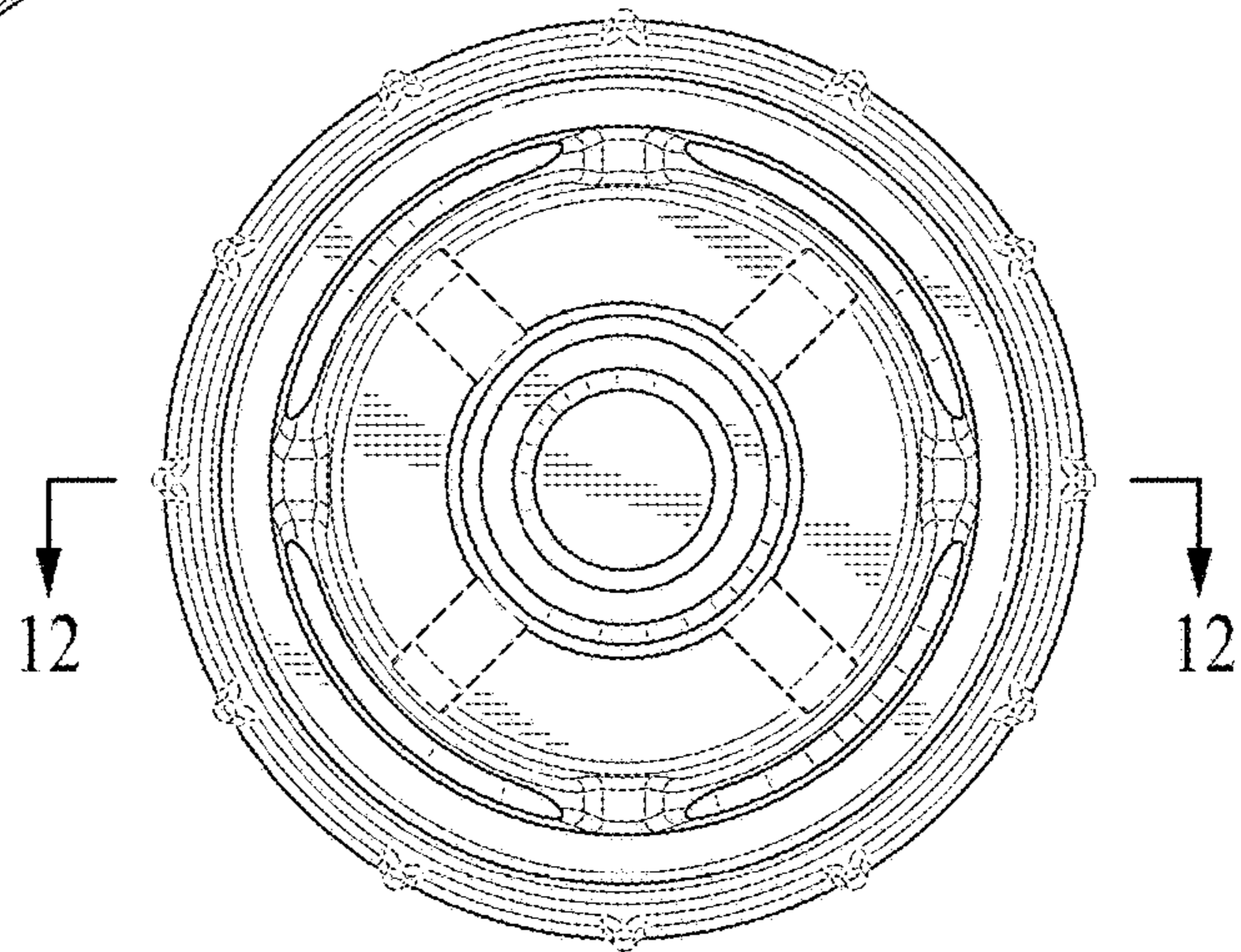


FIG. 11

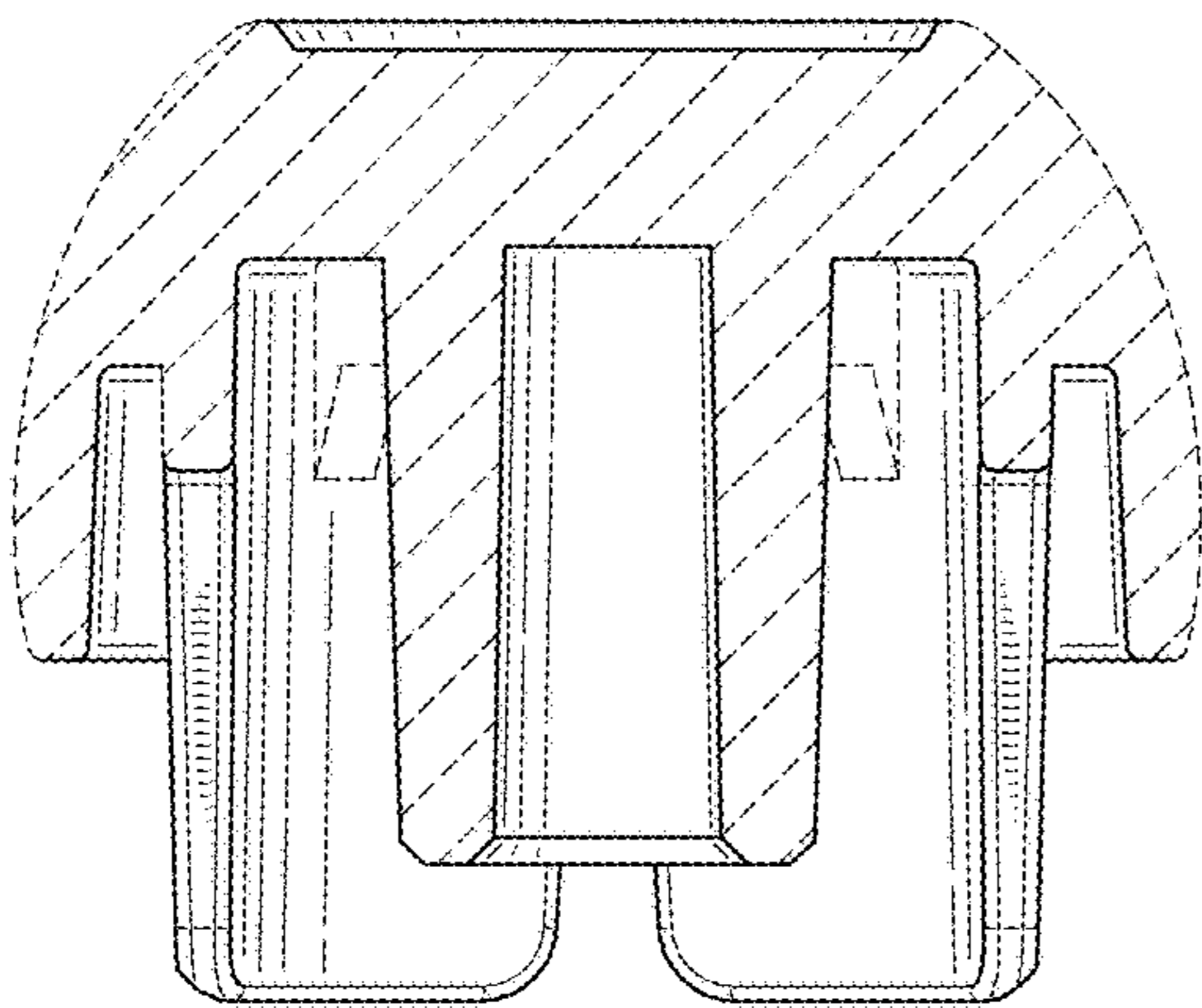


FIG. 12