



US00D807500S

(12) **United States Design Patent**
Weber et al.

(10) **Patent No.:** **US D807,500 S**
(45) **Date of Patent:** **** Jan. 9, 2018**

- (54) **BIOLOGICAL COLLECTION DEVICE**
- (71) Applicant: **The BioCollective, LLC**, Centennial, CO (US)
- (72) Inventors: **Susan B. Weber**, Jackson, WI (US);
Suzanne D. Vernon, Salida, CO (US)
- (73) Assignee: **The BioCollective, LLC**, Centennial, CO (US)
- (**) Term: **15 Years**
- (21) Appl. No.: **29/551,469**
- (22) Filed: **Jan. 13, 2016**
- (51) **LOC (11) Cl.** **24-04**
- (52) **U.S. Cl.**
USPC **D24/122**
- (58) **Field of Classification Search**
USPC D24/121–123, 117, 224; 4/121–123, 117,
4/224; 600/573, 574; 604/329, 317, 318,
604/334
CPC A61G 9/00; A61G 9/006; A61G 9/003
See application file for complete search history.

- D527,101 S * 8/2006 Fernandez D24/122
- D617,895 S * 6/2010 Aguila D23/309
- D650,902 S * 12/2011 Lopez, Jr. D24/122
- 8,407,838 B2 * 4/2013 Nakamura A61G 7/02
5/604
- D757,257 S * 5/2016 Grossman D24/122
- D760,383 S * 6/2016 Delarosa D24/122

* cited by examiner

Primary Examiner — David G Muller
(74) *Attorney, Agent, or Firm* — Polsinelli PC

(57) **CLAIM**

The ornamental design for a biological collection device, as shown and described.

DESCRIPTION

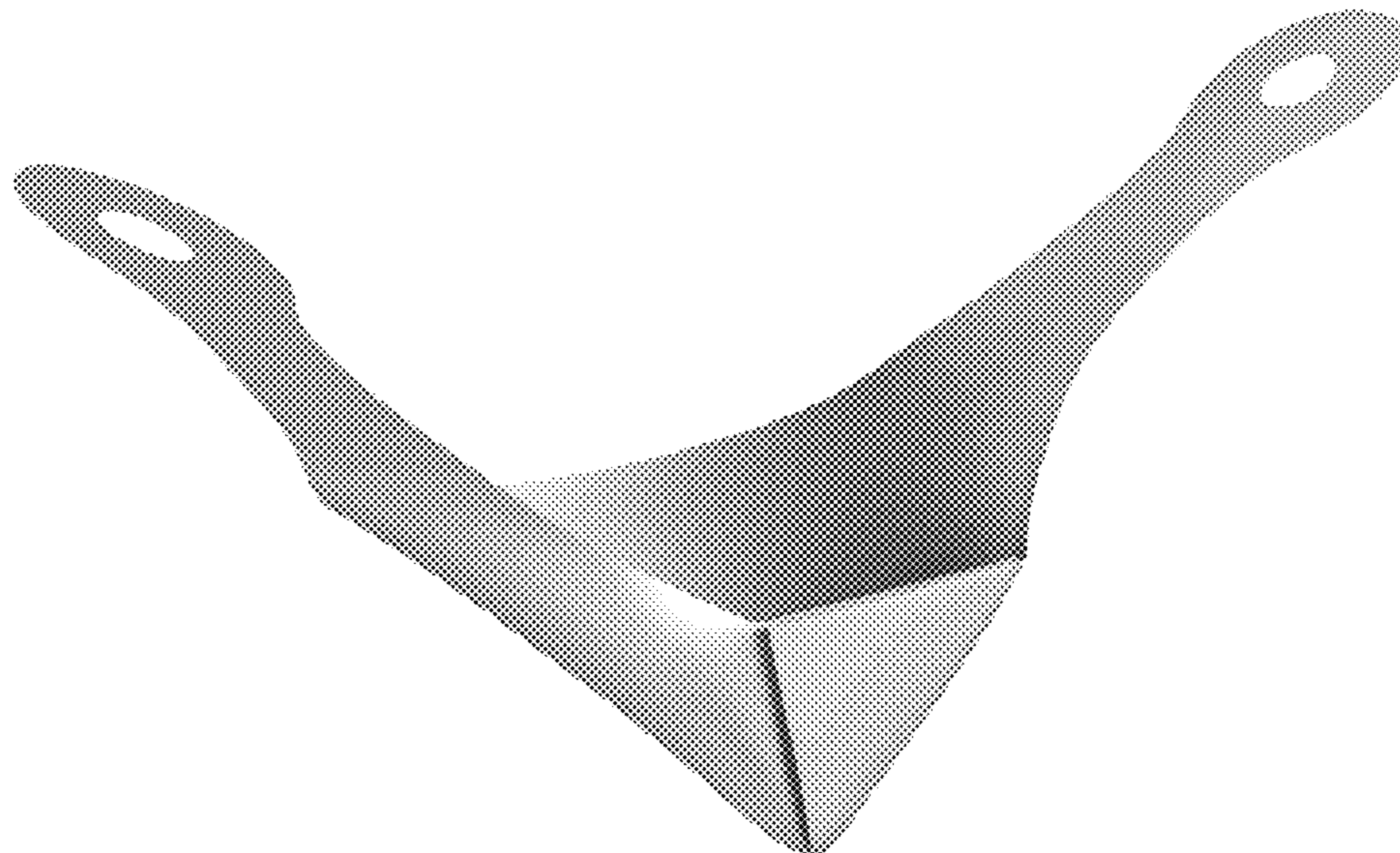
FIG. 1 is a front isometric view of the biological collection device.
 FIG. 2 is a front view of the biological collection device.
 FIG. 3 is a back view of the biological collection device.
 FIG. 4 is a left side view of the biological collection device.
 FIG. 5 is a right side view of the biological collection device.
 FIG. 6 is a top view of the biological collection device.
 FIG. 7 is a bottom view of the biological collection device.
 FIG. 8 is a front isometric view of the biological collection device in an unfolded state.
 FIG. 9 is a front view of the biological collection device in an unfolded state; and,
 FIG. 10 is an isometric view of the biological collection device secured to a toilet with a suction cup on both sides of the toilet.
 The broken lines in FIG. 10 of the toilet and suction cup are for the purpose of illustrating environment and use, and form no part of the claimed design.
 The broken lines in FIGS. 8 and 9 depict fold lines and form no part of the claimed design.

(56) **References Cited**

U.S. PATENT DOCUMENTS

- 4,309,782 A * 1/1982 Paulin A61B 10/0038
4/144.1
- 4,521,520 A * 6/1985 Jacke A61B 10/0038
4/144.2
- 5,037,408 A * 8/1991 Henry A61F 5/445
604/332
- 6,327,716 B1 * 12/2001 Kaus A61F 5/4556
4/144.4
- 6,475,198 B1 * 11/2002 Lipman A47K 11/02
4/144.1
- D495,798 S * 9/2004 Gugliotta D24/122
- D499,482 S * 12/2004 Gugliotta D24/122

1 Claim, 5 Drawing Sheets



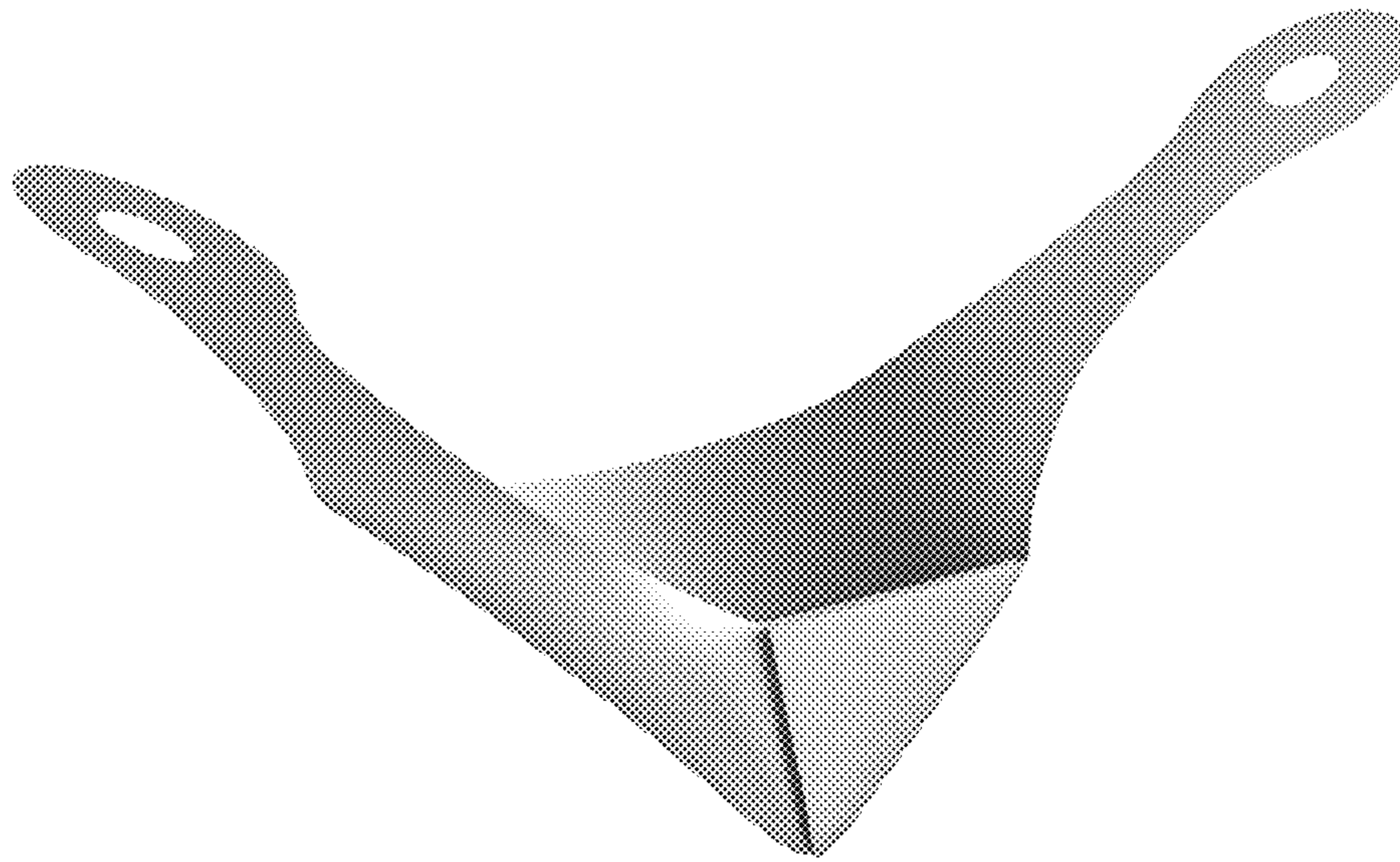


FIG. 1

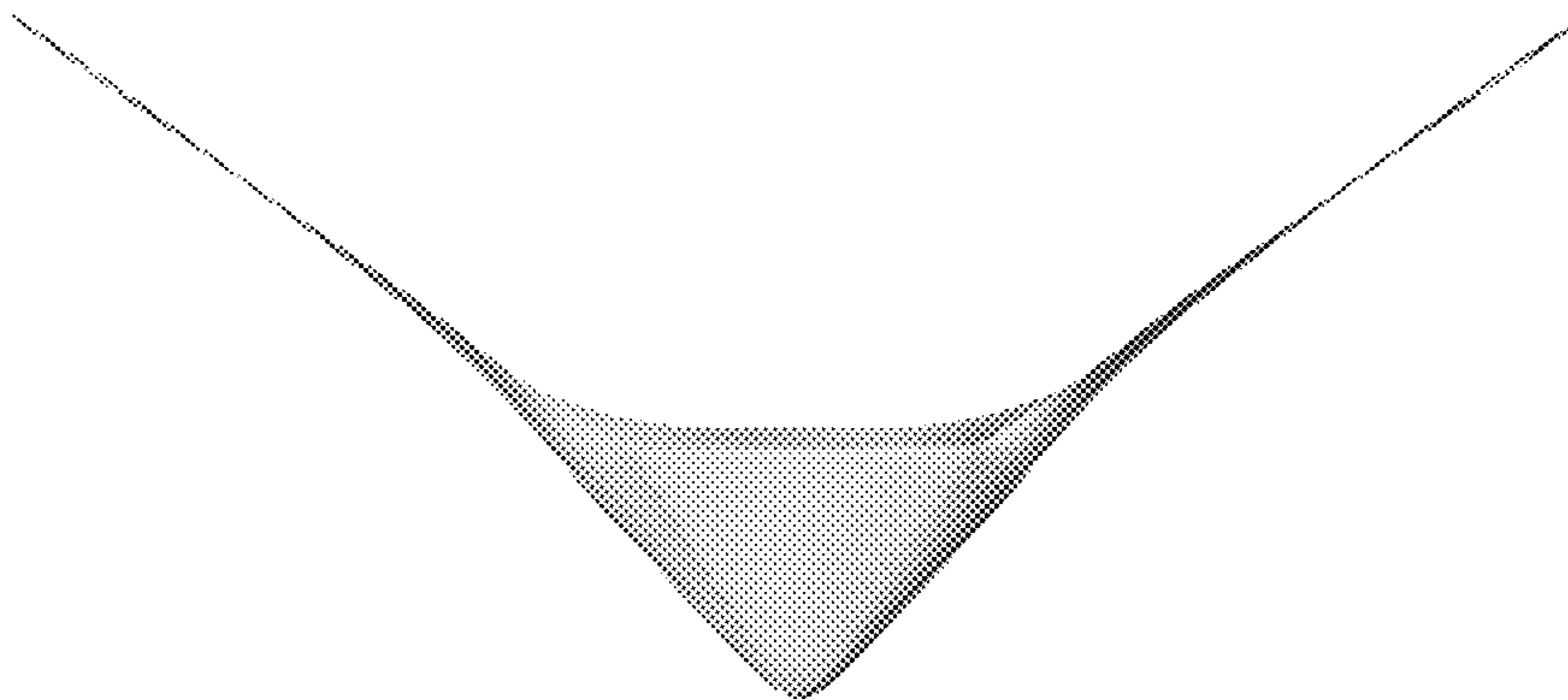


FIG. 2

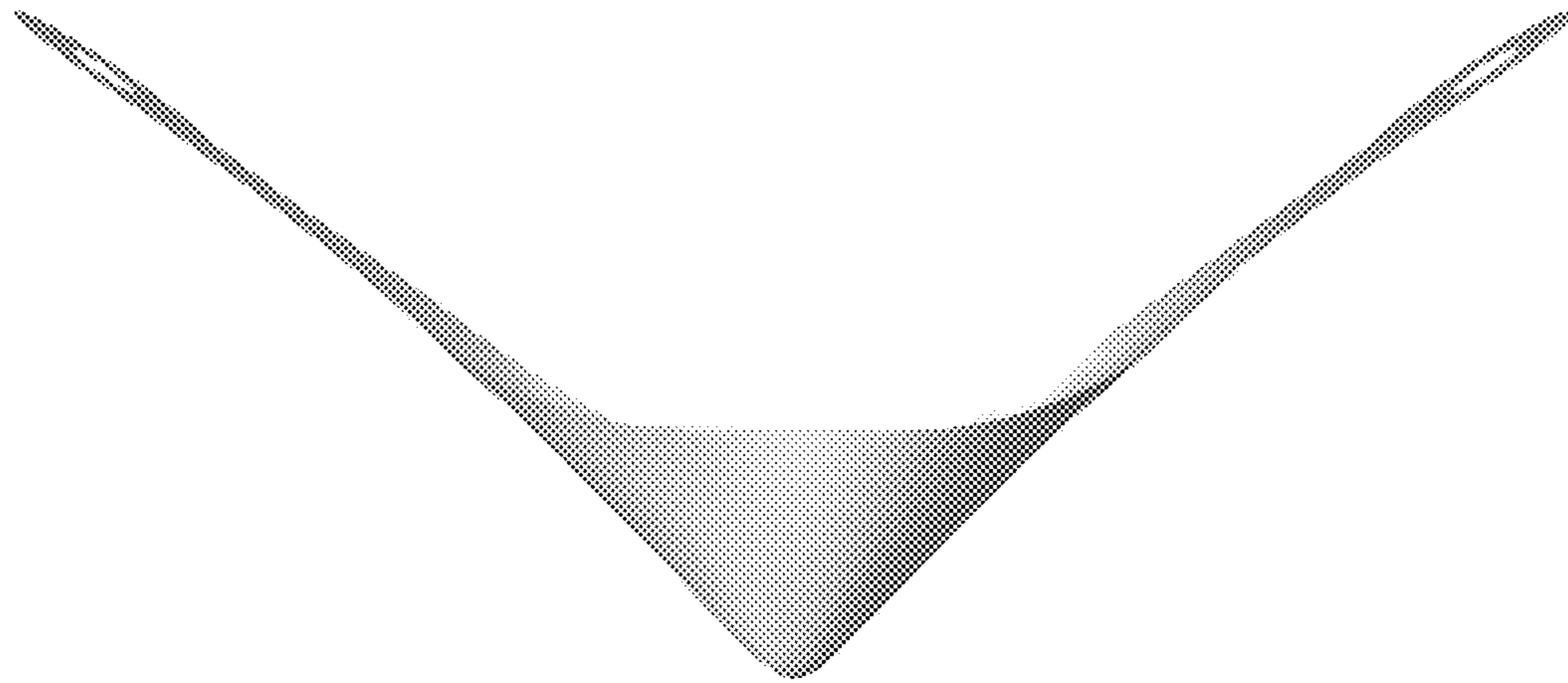


FIG. 3

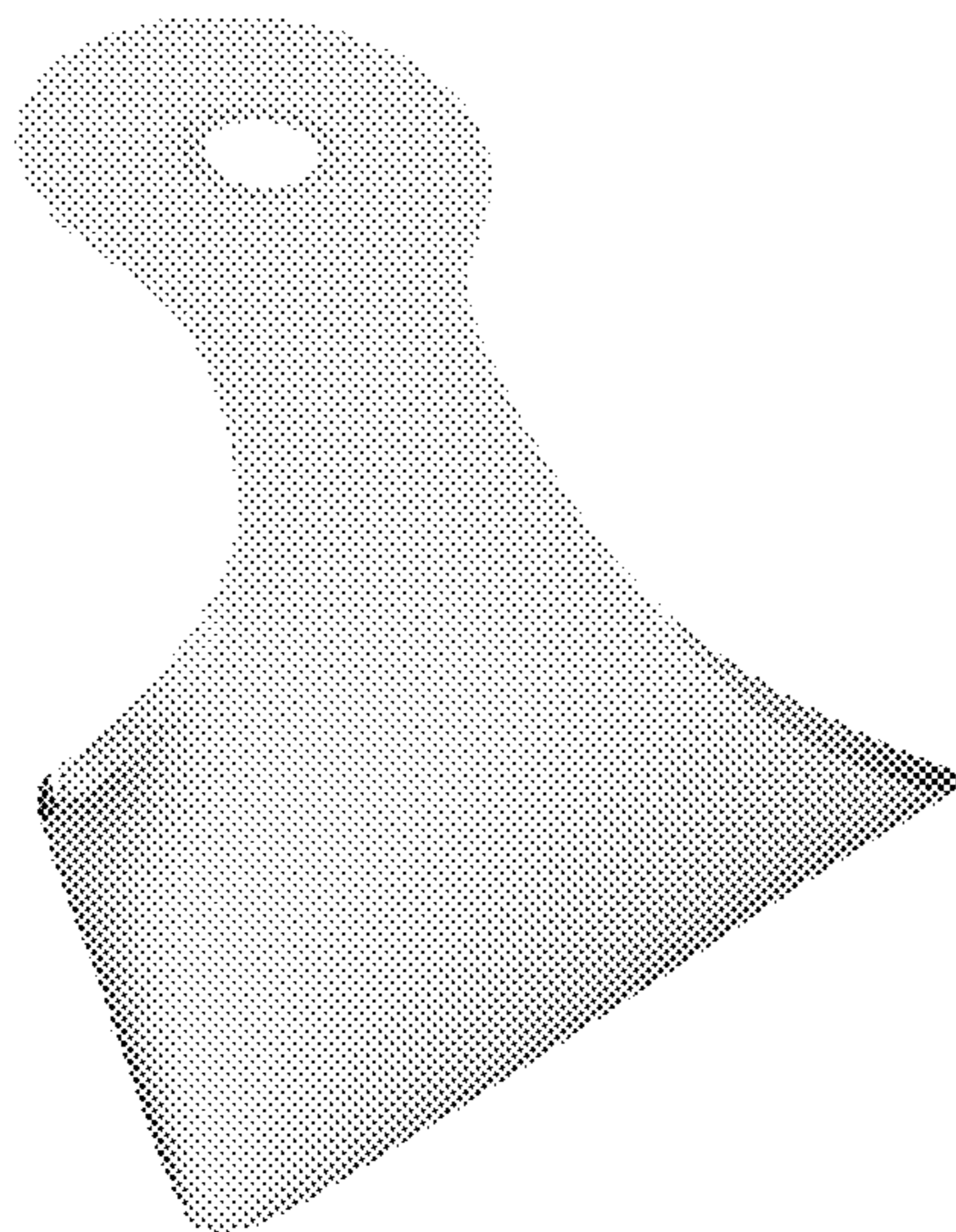


FIG. 4

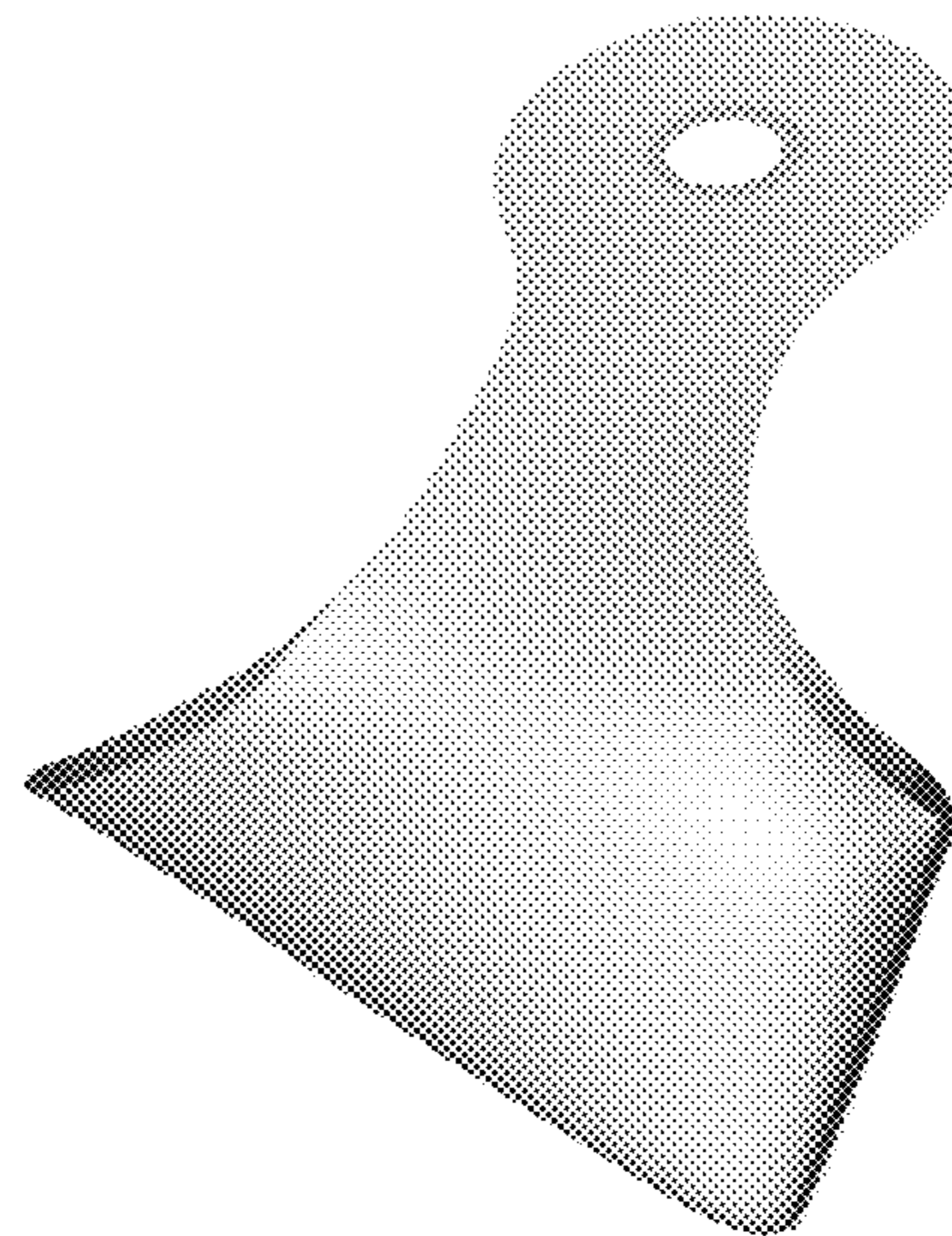


FIG. 5

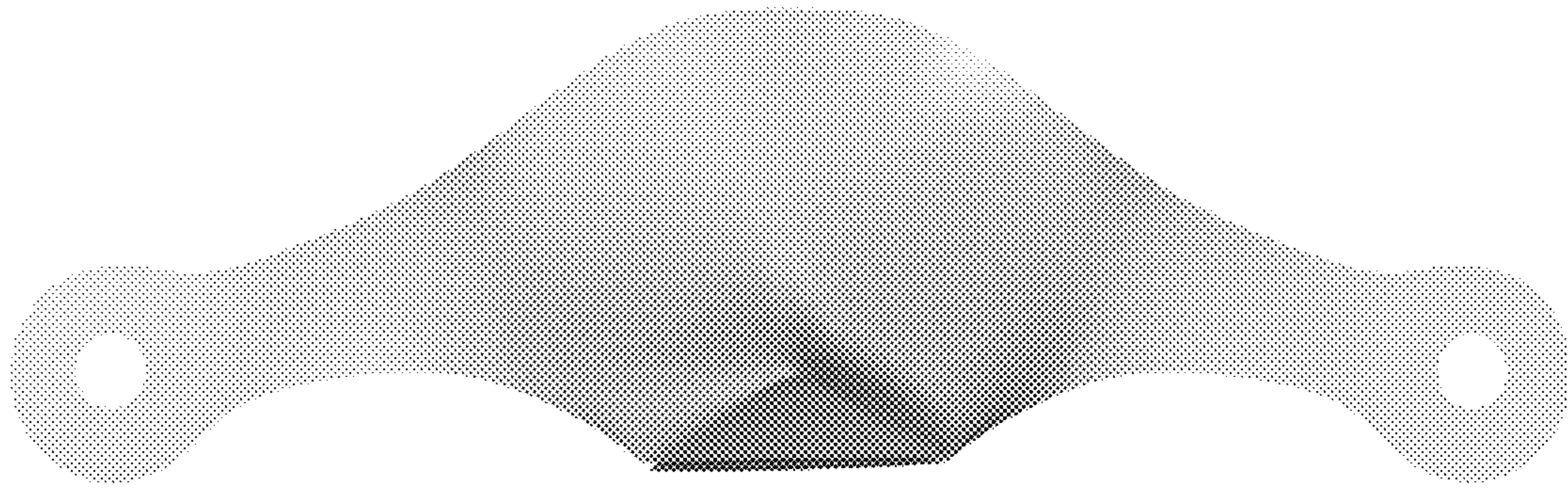


FIG. 6

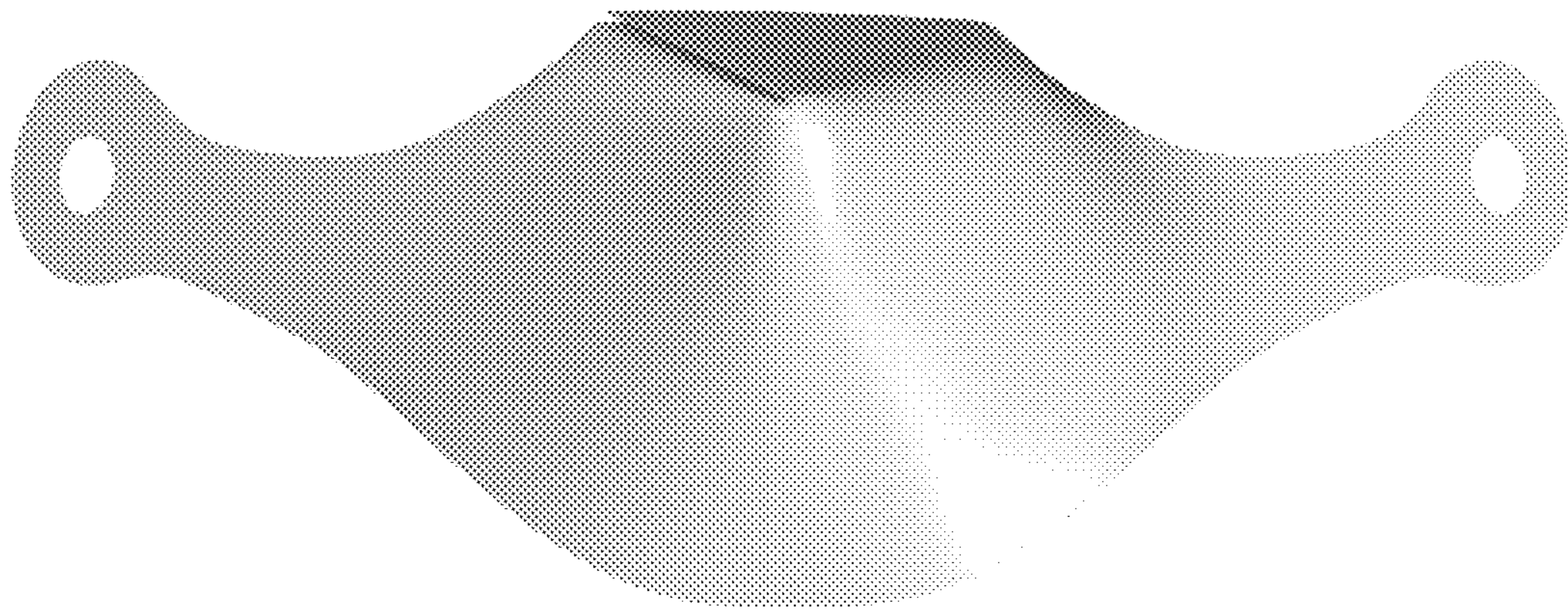


FIG. 7

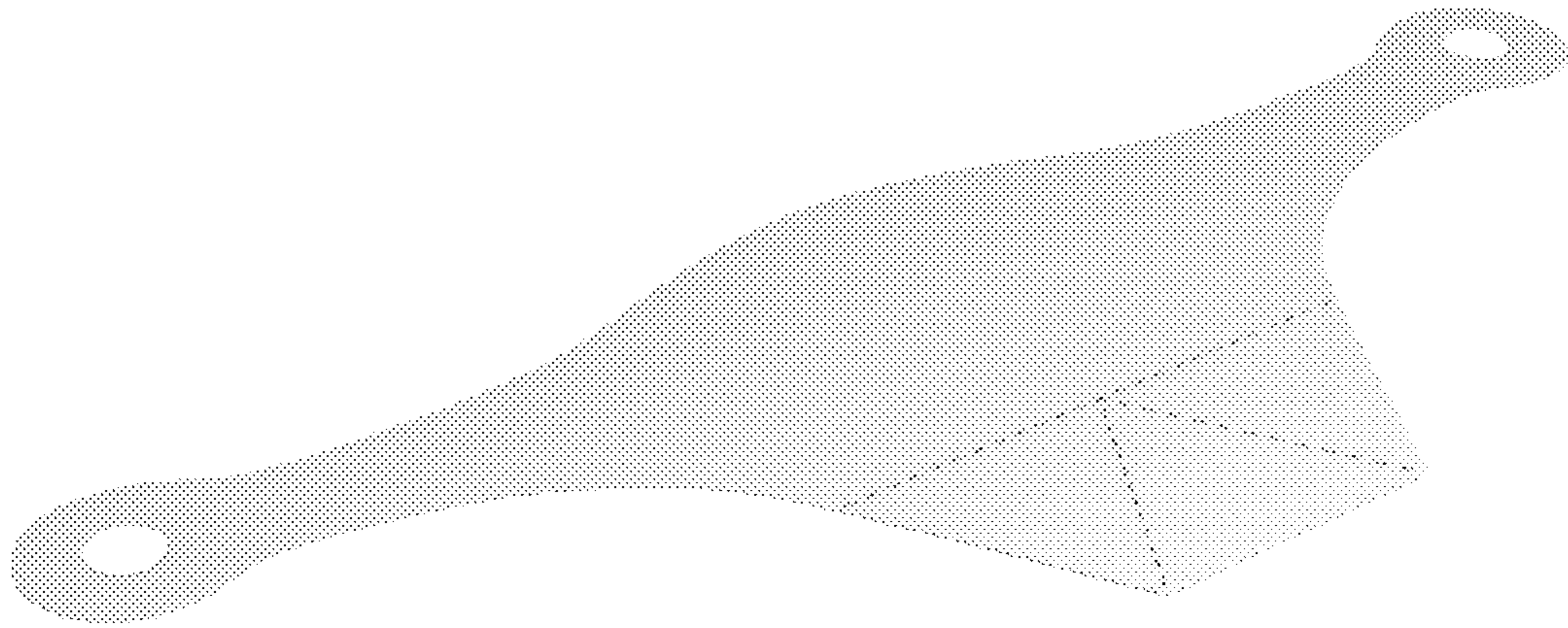


FIG. 8

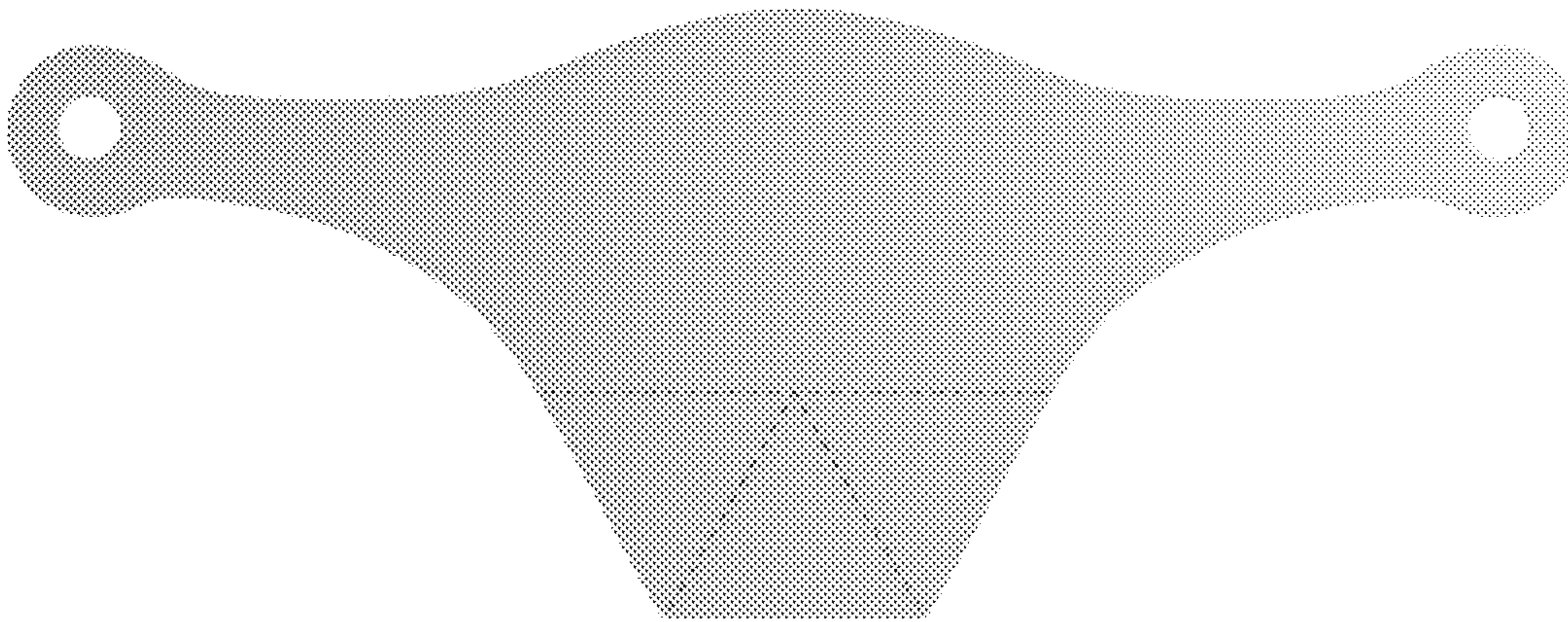


FIG. 9

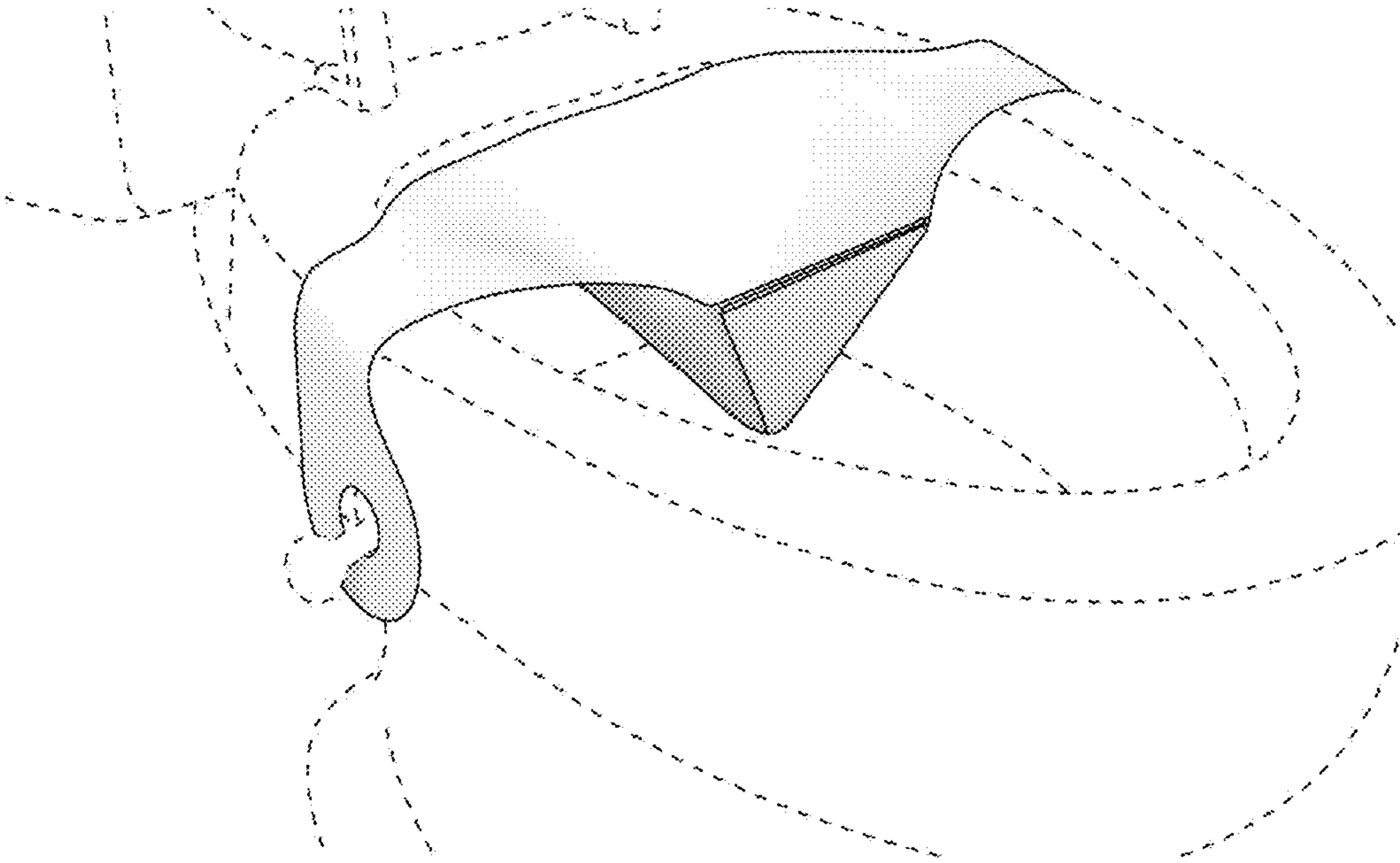


FIG. 10