



US00D807498S

(12) **United States Design Patent**  
**Persson**

(10) **Patent No.:** **US D807,498 S**  
(45) **Date of Patent:** **\*\* Jan. 9, 2018**

(54) **AUTOMATIC SPEAKING VALVE**  
(71) Applicant: **Atos Medical AB**, Horby (SE)  
(72) Inventor: **Jan-Ove Persson**, Hoor (SE)  
(73) Assignee: **Atos Medical AB** (SE)  
(\*\*) Term: **15 Years**

(21) Appl. No.: **29/526,907**  
(22) Filed: **May 13, 2015**

(30) **Foreign Application Priority Data**  
Apr. 13, 2015 (EM) ..... 002680249  
(51) **LOC (11) Cl.** ..... **29-02**  
(52) **U.S. Cl.**  
USPC ..... **D24/110.6**  
(58) **Field of Classification Search**  
USPC ..... D24/107, 110, 110.6, 127, 129; D9/434,  
D9/435, 447, 523; D7/391, 392, 396.2,  
D7/510, 511, 513, 619.2, 900  
CPC ..... A61M 16/0468; A61M 16/1045; A61M  
16/047; A61M 16/0465; A61F 2/20; A61F  
2/203; A61F 2002/206  
See application file for complete search history.

(56) **References Cited**  
**U.S. PATENT DOCUMENTS**  
3,952,335 A 4/1976 Sorce et al.  
4,040,428 A 8/1977 Clifford  
4,582,058 A 4/1986 Depel et al.  
5,059,208 A 10/1991 Coe et al.  
5,765,560 A 6/1998 Verkerke et al.  
6,193,751 B1\* 2/2001 Singer ..... A61F 2/20  
128/207.16  
D666,490 S \* 9/2012 Leon ..... D9/447  
8,505,537 B2\* 8/2013 Persson ..... A61M 16/0468  
128/205.27

D691,414 S \* 10/2013 Trombly ..... D7/392.1  
8,944,063 B2\* 2/2015 van der  
houwen ..... A61M 16/0468  
128/207.16  
8,991,394 B2\* 3/2015 Persson ..... A61M 16/0468  
128/201.13

(Continued)

**FOREIGN PATENT DOCUMENTS**

DE 202008012219 U1 11/2008  
WO WO-01/89618 A1 11/2001

**OTHER PUBLICATIONS**

Hakeem, Arsheed Hussain and Anubha Garg. Rehabilitation after total laryngectomy. Otorhinolaryngology Clinics: An International Journal. Date published: Sep.-Dec. 2010. Accessed via Research Gate. <[https://www.researchgate.net/publication/215640391\\_Rehabilitation\\_after\\_total\\_laryngectomy\\_-An\\_overview](https://www.researchgate.net/publication/215640391_Rehabilitation_after_total_laryngectomy_-An_overview)>.\*

(Continued)

*Primary Examiner* — Barbara Fox  
*Assistant Examiner* — Lilyana Bekic  
(74) *Attorney, Agent, or Firm* — Fishman Stewart PLLC

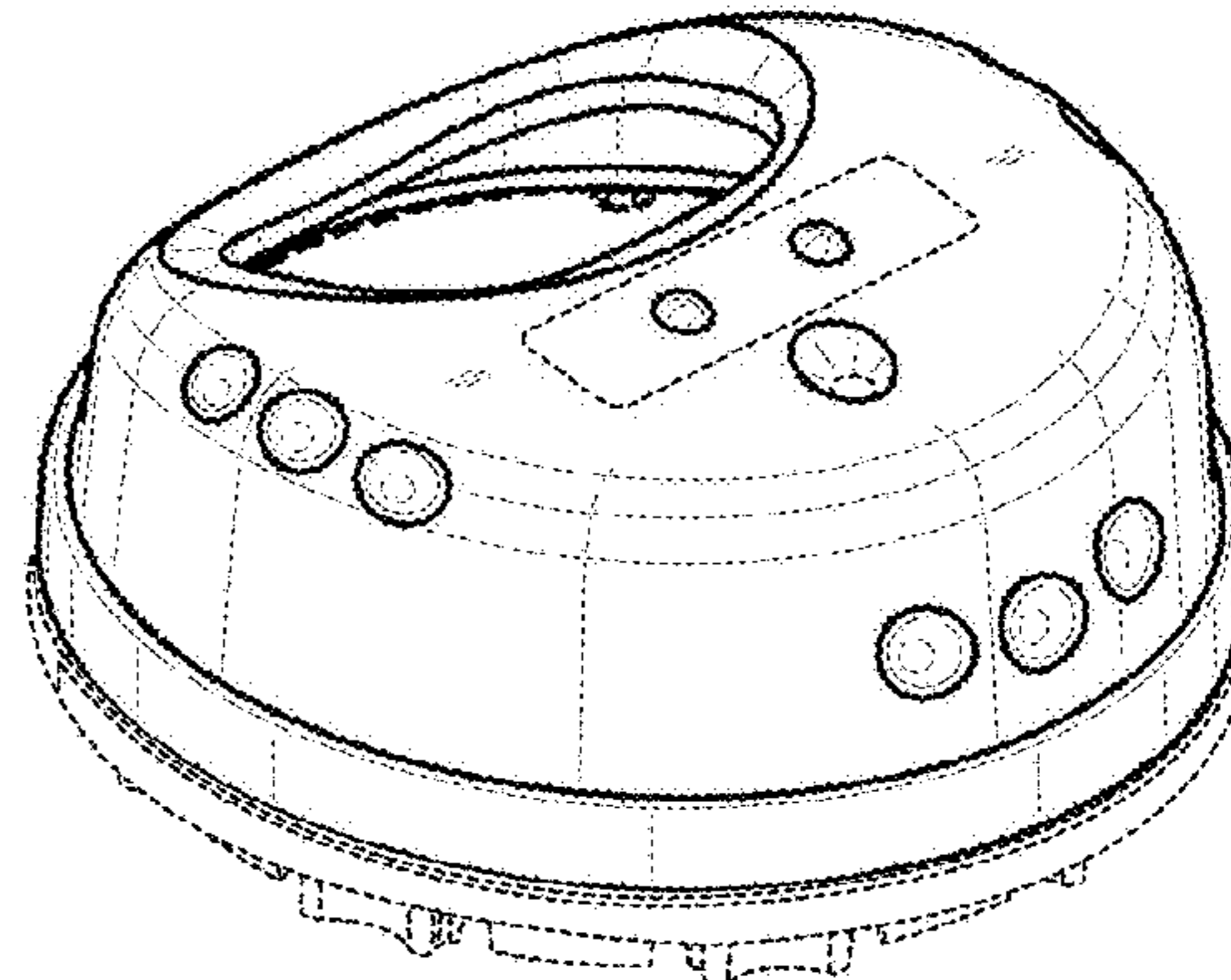
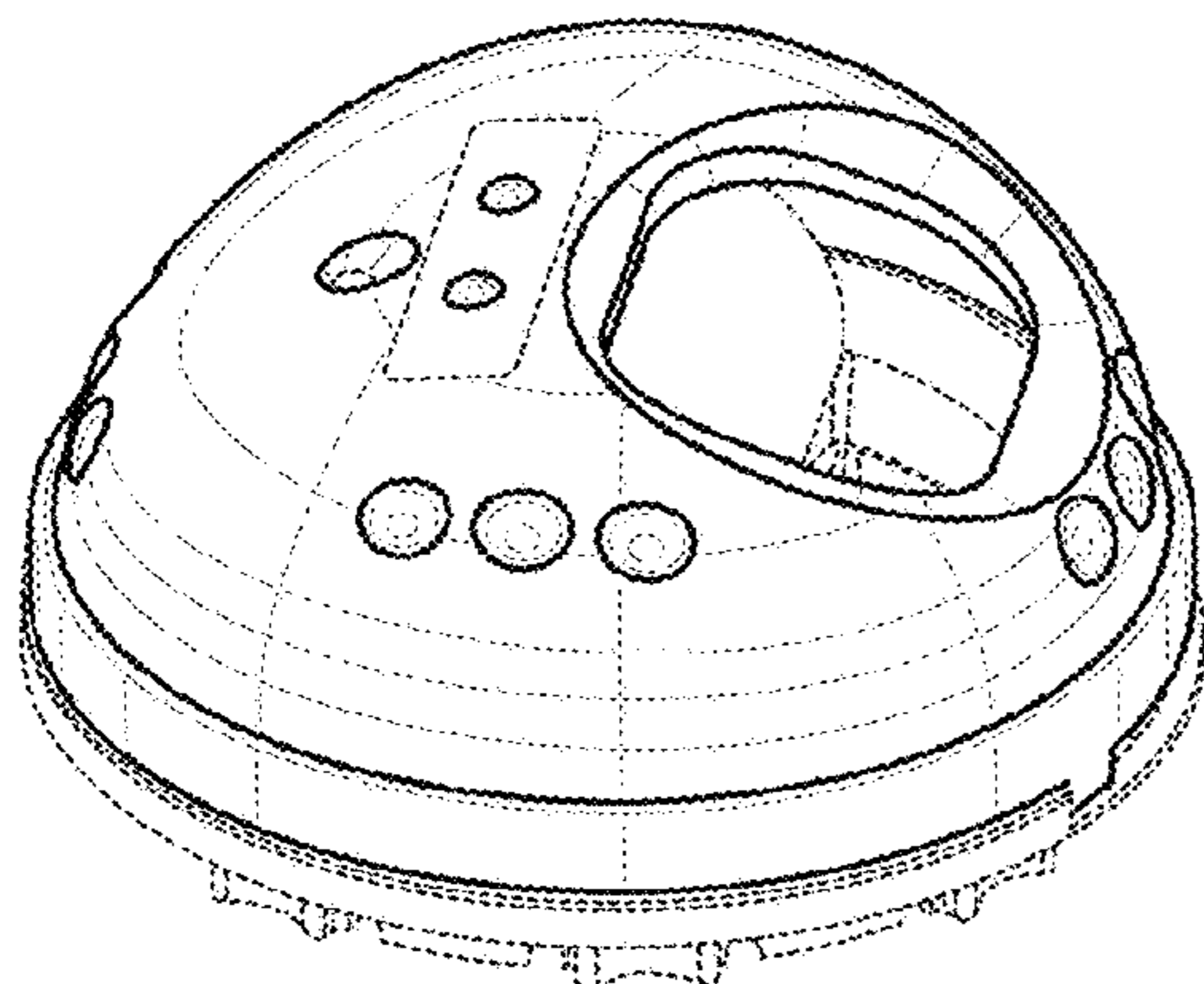
(57) **CLAIM**

The ornamental design for an automatic speaking valve, as shown and described.

**DESCRIPTION**

FIG. 1 is a perspective view of an automatic speaking valve including a first embodiment of my new design; FIG. 2 is a front view of the first embodiment; FIG. 3 is a rear view of the first embodiment; FIG. 4 is a perspective view of an automatic speaking valve including a second embodiment of my new design; FIG. 5 is a front view of the second embodiment; FIG. 6 is a rear view of the second embodiment; FIG. 7 is a top view of the first embodiment; FIG. 8 is a top view of the second embodiment; and, FIG. 9 is a bottom view of the first and second embodiment.

**1 Claim, 6 Drawing Sheets**



(56)

**References Cited**

U.S. PATENT DOCUMENTS

9,084,860 B2 \* 7/2015 Leibitzki ..... A61M 16/0468  
 D747,463 S \* 1/2016 Bare ..... D24/110.6  
 2002/0156527 A1 \* 10/2002 Persson ..... A61F 2/20  
 623/9  
 2004/0089291 A1 5/2004 Persson  
 2005/0178390 A1 \* 8/2005 Worthington ..... A61F 2/20  
 128/207.16  
 2009/0032028 A1 \* 2/2009 Bare ..... A61M 16/0468  
 128/207.16  
 2010/0288284 A1 \* 11/2010 Persson ..... A61M 16/0468  
 128/207.14  
 2011/0220108 A1 \* 9/2011 Persson ..... A61M 16/0468  
 128/205.29  
 2012/0090621 A1 \* 4/2012 van der  
 Houwen ..... A61M 16/0468  
 128/207.16

2013/0192602 A1 \* 8/2013 Leibitzki ..... A61M 16/0468  
 128/205.27  
 2014/0150779 A1 \* 6/2014 Persson ..... A61M 16/1055  
 128/201.13  
 2014/0190479 A1 \* 7/2014 Sethiya ..... A61M 16/0468  
 128/202.22  
 2015/0083119 A1 \* 3/2015 Persson ..... A61M 16/0468  
 128/201.13  
 2015/0238718 A1 \* 8/2015 Schnell ..... A61F 2/20  
 128/202.27  
 2016/0256649 A1 \* 9/2016 Hesselmar ..... A61M 16/0468

OTHER PUBLICATIONS

Provox FreeHands FlexiVoice. Atos Medical. Date accessed: Mar. 31, 2017. <<http://www.atosmedical.us/product/provox-freehands-flexivoice/>>.\*

\* cited by examiner

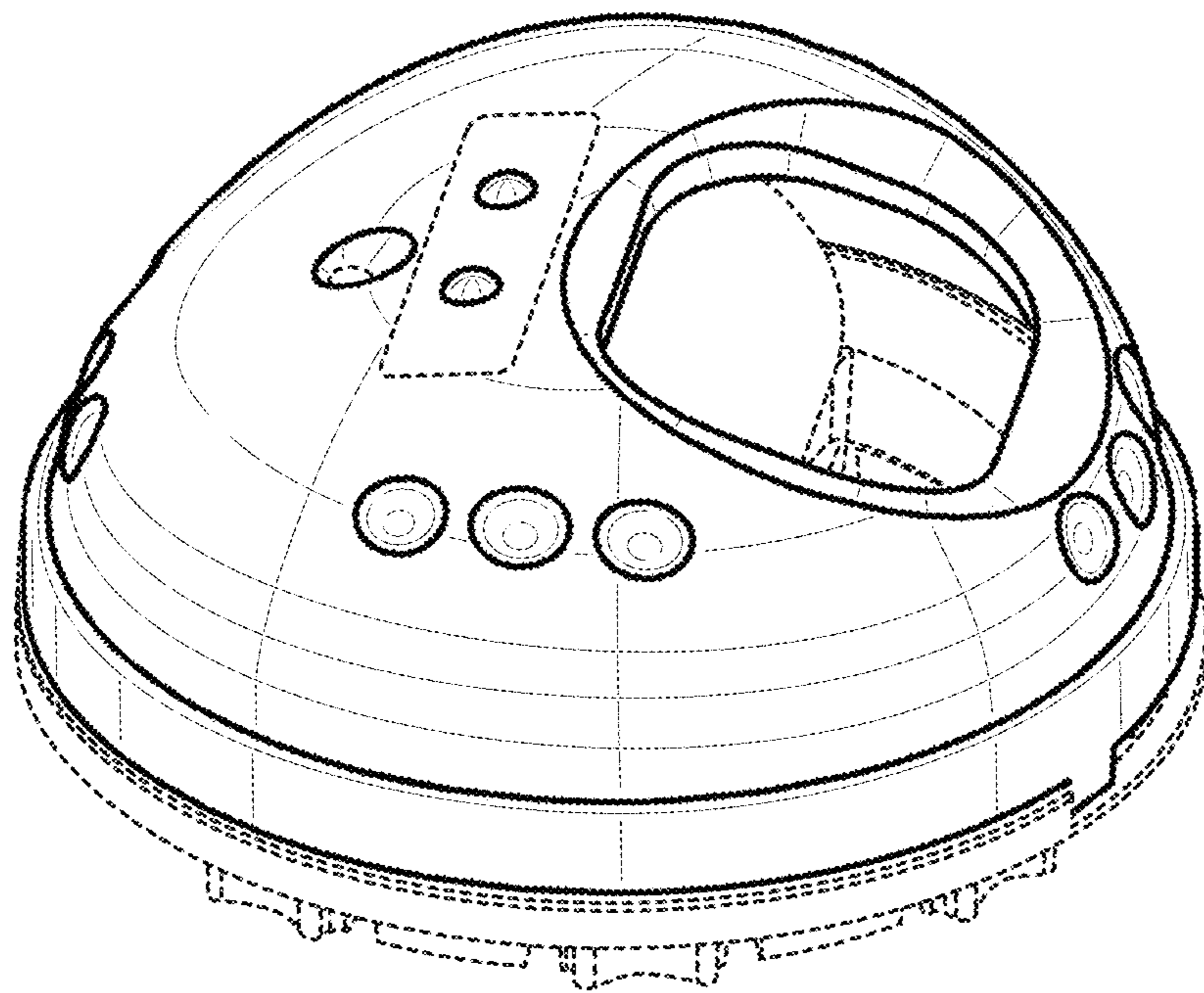


FIG. 1

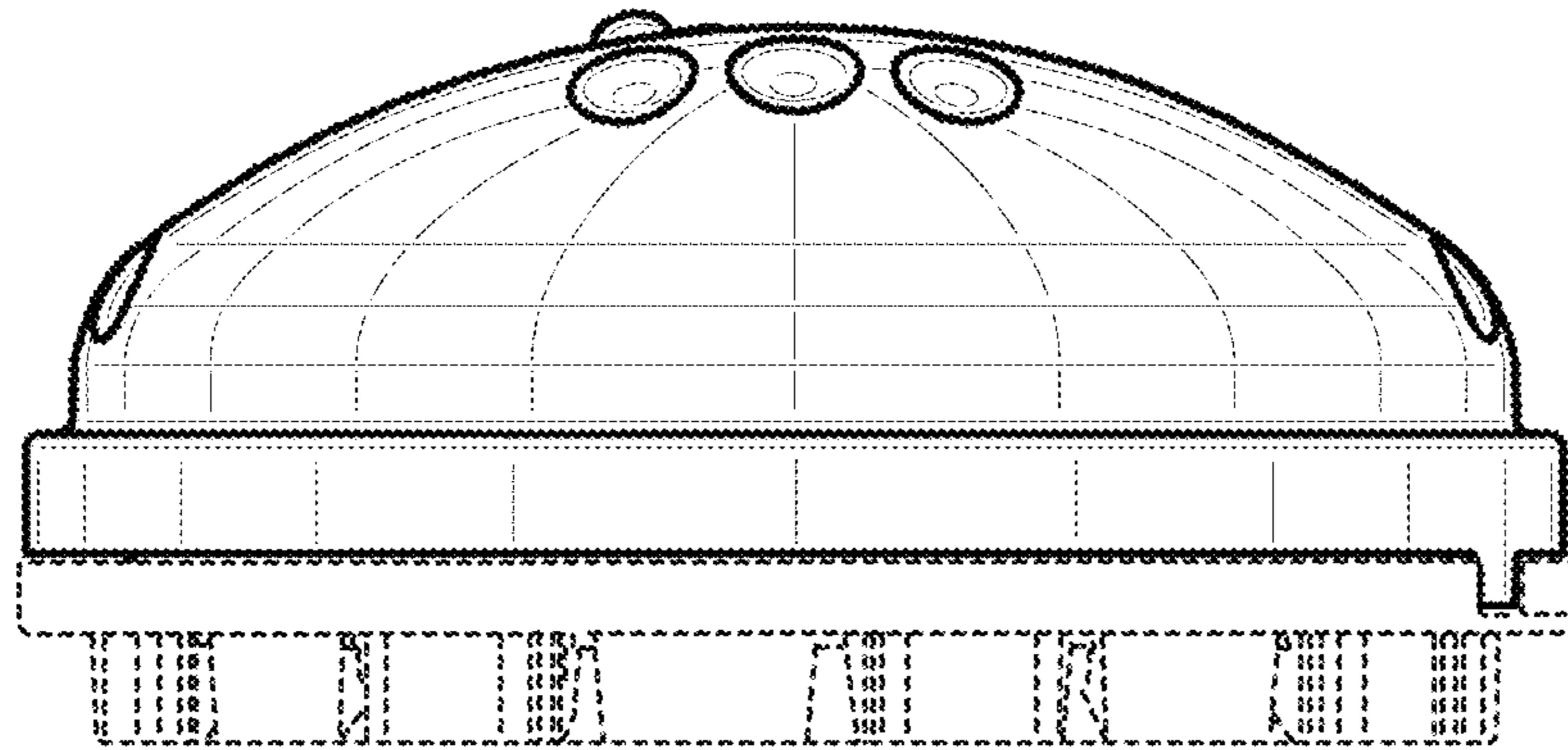


FIG. 2

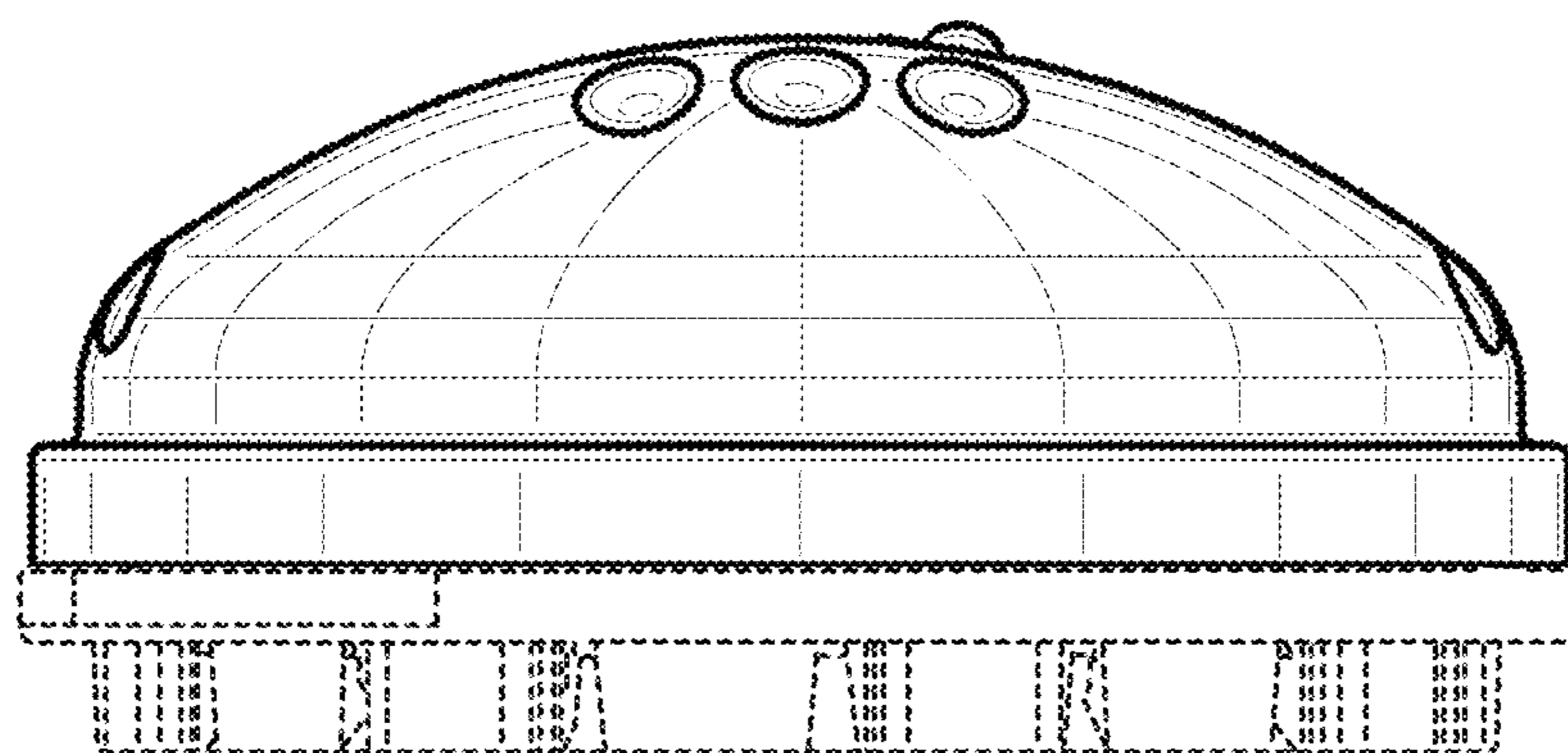


FIG. 3



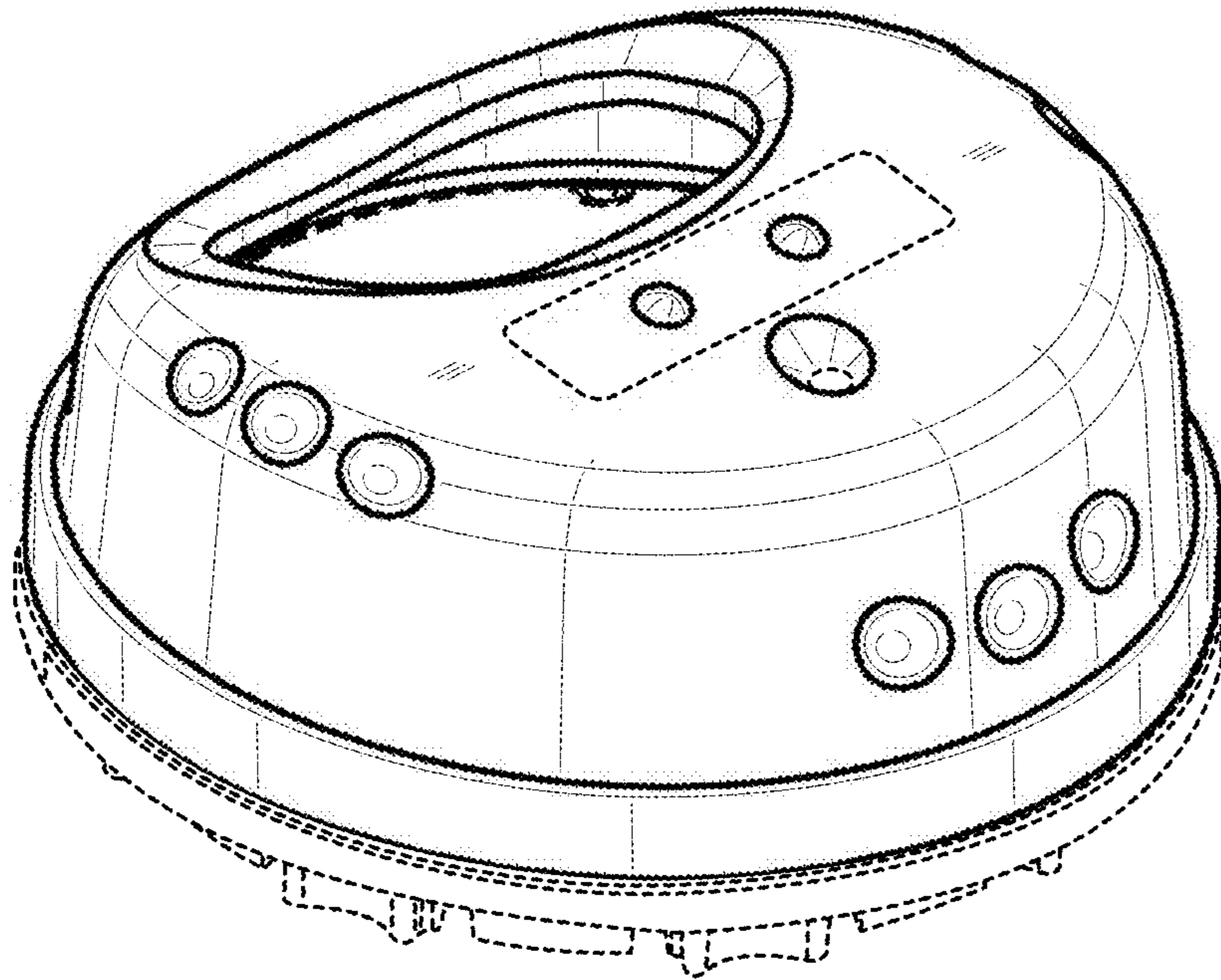


FIG. 4

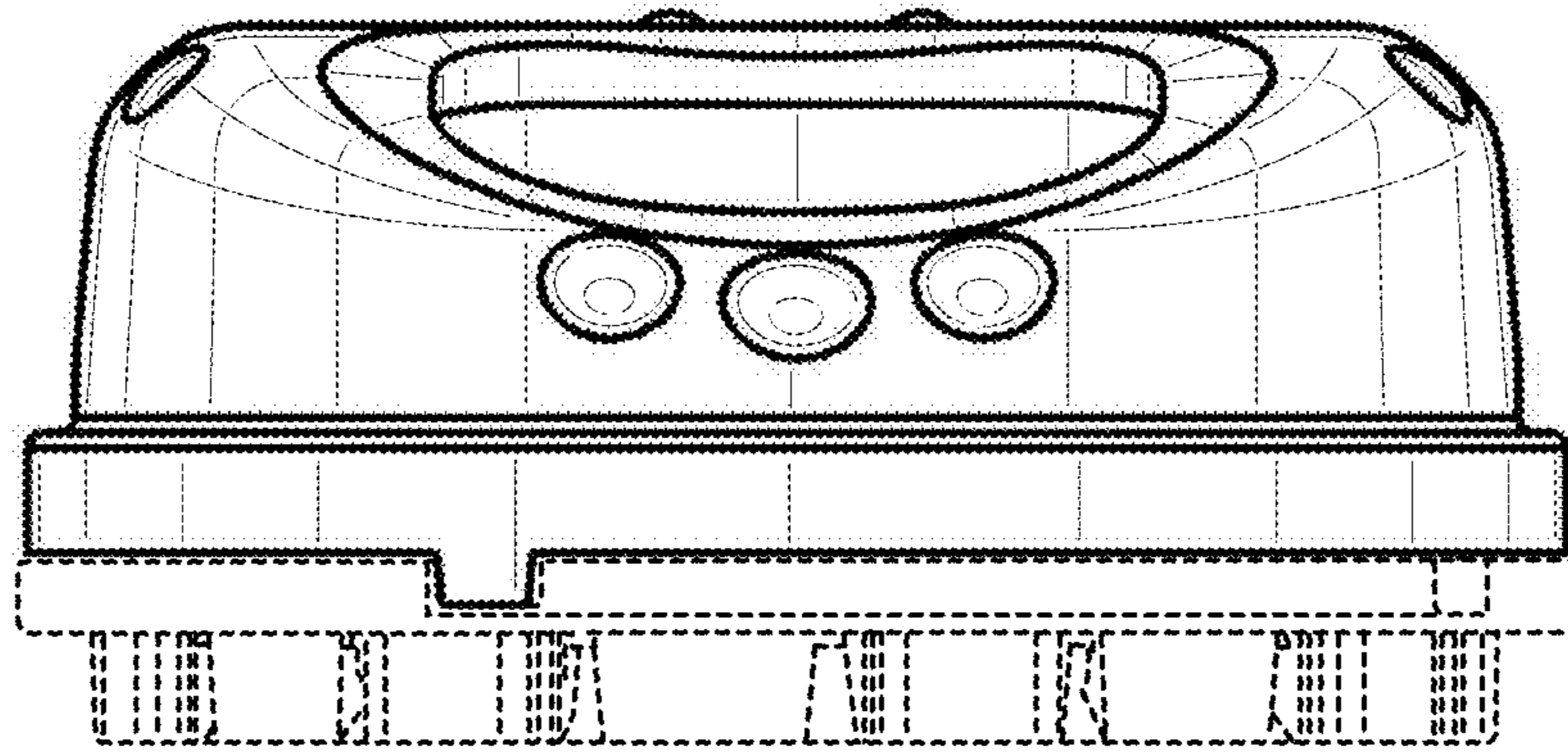


FIG. 5

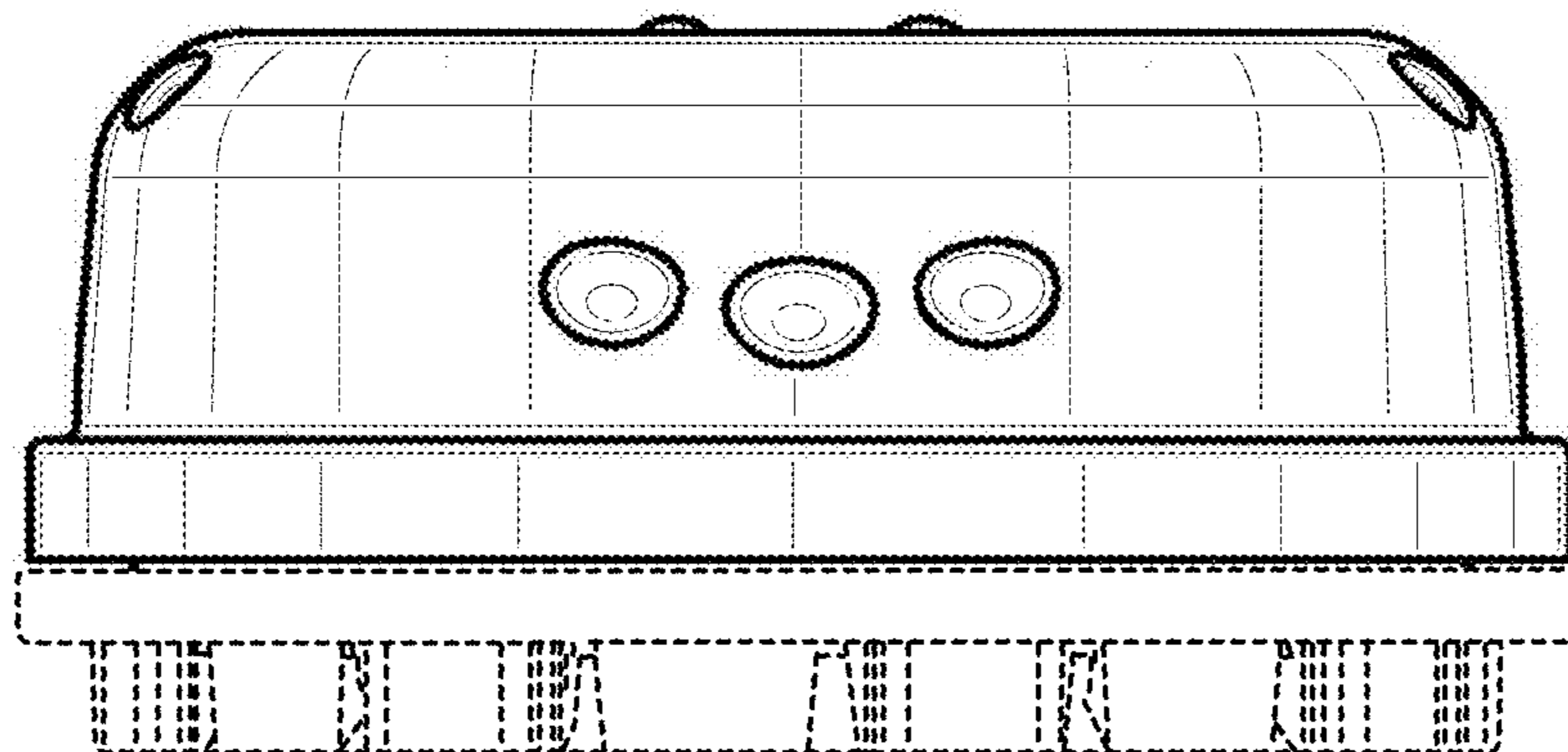


FIG. 6

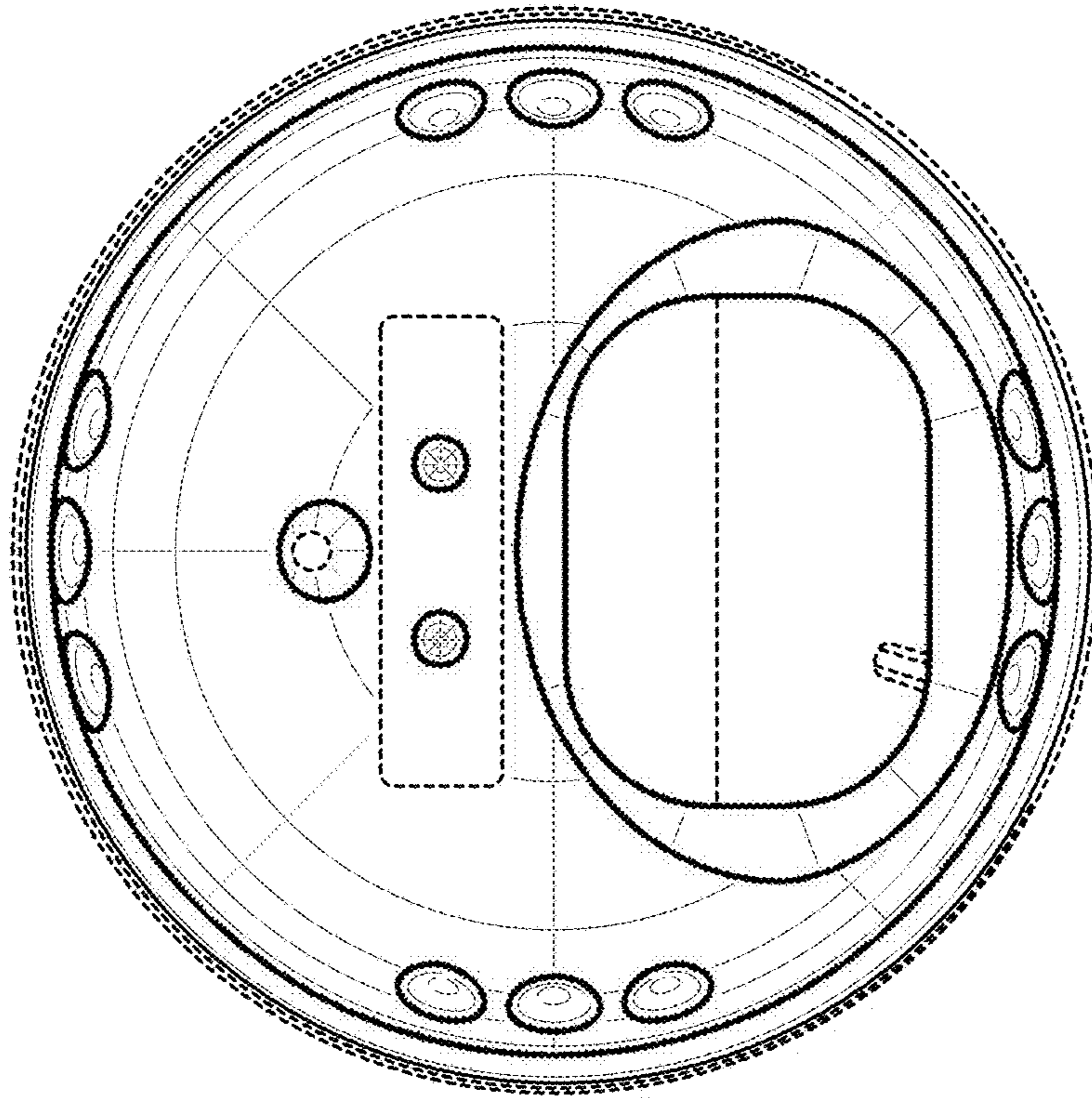


FIG. 7

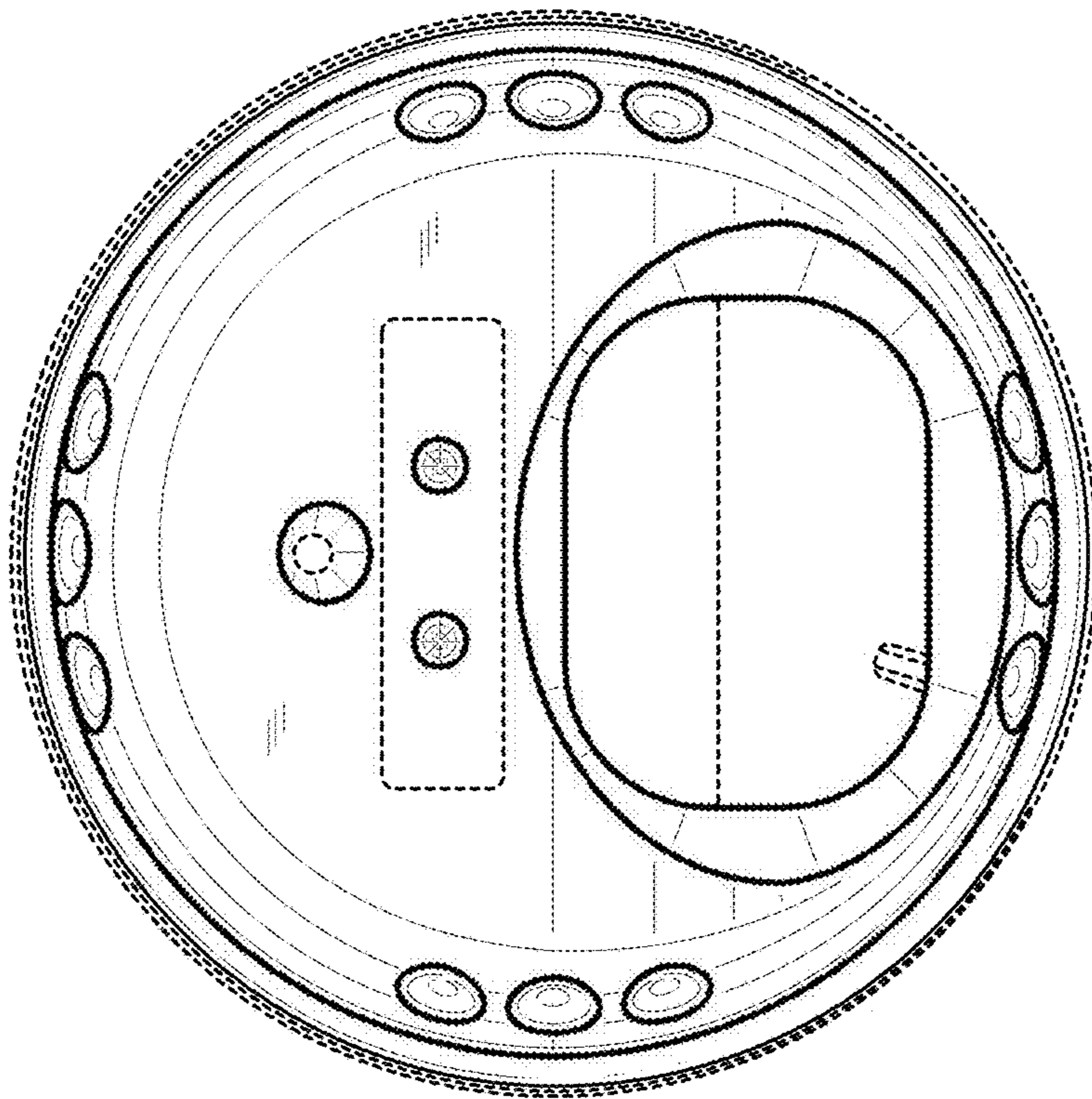


FIG. 8



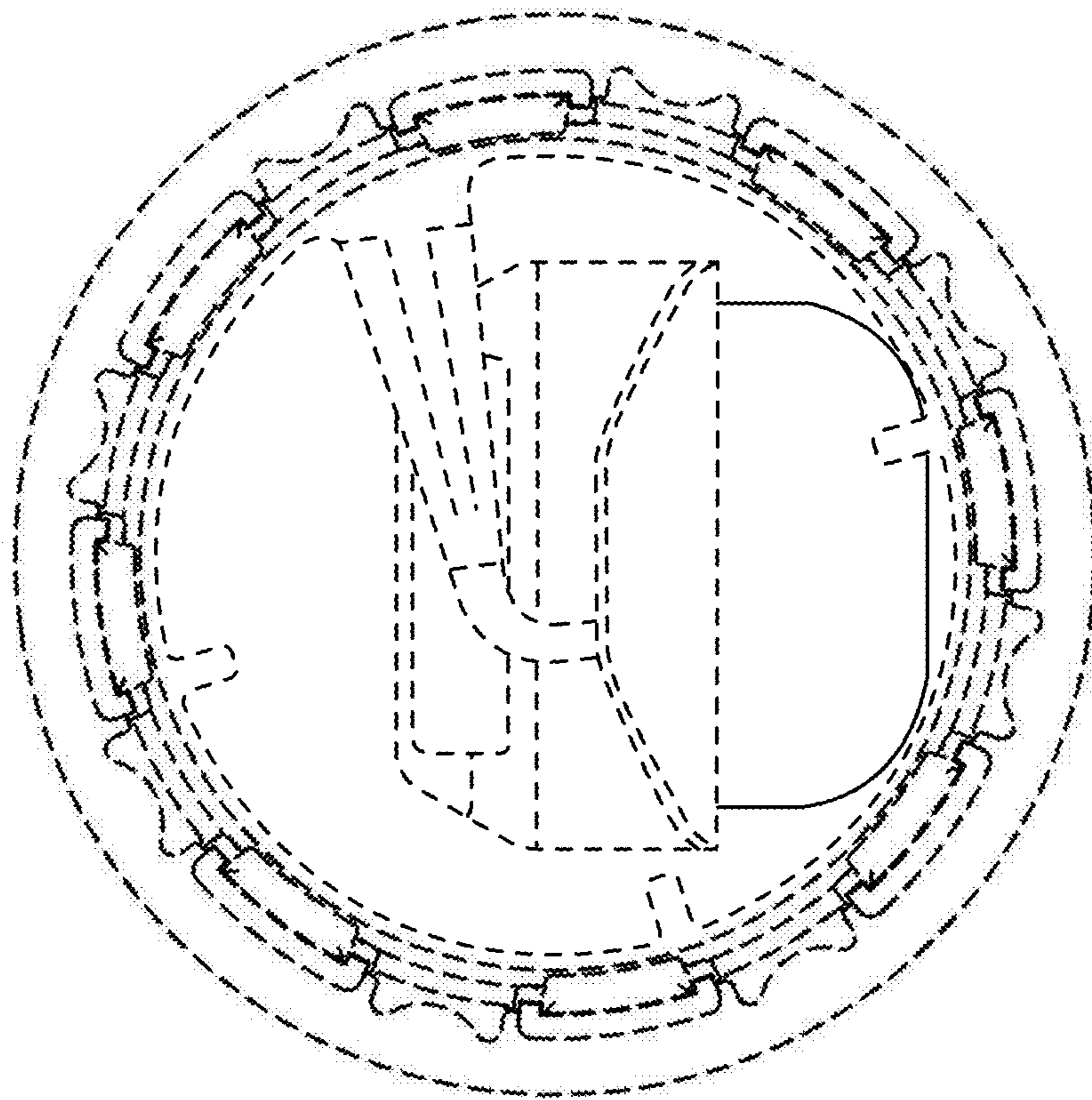


FIG. 9