



US00D807497S

(12) **United States Design Patent** (10) **Patent No.:** **US D807,497 S**
Kwok (45) **Date of Patent:** **** Jan. 9, 2018**

(54) **PAD FOR FOREHEAD SUPPORT**

- (71) Applicant: **ResMed Limited**, Bella Vista, New South Wales (AU)
- (72) Inventor: **Philip Rodney Kwok**, Sydney (AU)
- (73) Assignee: **ResMed Limited**, Bella Vista (AU)
- (**) Term: **15 Years**
- (21) Appl. No.: **29/594,560**
- (22) Filed: **Feb. 21, 2017**

Related U.S. Application Data

- (60) Division of application No. 29/496,315, filed on Jul. 11, 2014, now Pat. No. Des. 782,028, which is a continuation of application No. 12/980,821, filed on Dec. 29, 2010, now Pat. No. 9,220,861, which is a continuation of application No. 11/207,006, filed on Aug. 19, 2005, now Pat. No. 7,882,837, which is a continuation of application No. 10/661,570, filed on Sep. 15, 2003, now Pat. No. 6,997,188, which is a continuation of application No. 10/230,169, filed on Aug. 29, 2002, now Pat. No. 6,691,708, which is a division of application No. 09/608,440, filed on Jun. 30, 2000, now Pat. No. 6,463,931, which is a continuation of application No. 09/008,708, filed on Jan. 16, 1998, now Pat. No. 6,119,693.
- (51) **LOC (11) Cl.** **29-02**
- (52) **U.S. Cl.**
USPC **D24/110.1**
- (58) **Field of Classification Search**
USPC D24/110-110.6, 127; D1/106, 126, 199; D25/119, 121, 122
CPC A61M 16/0622; A61M 16/0616; A61M 16/0816; A61M 16/08; A61M 16/0633; A61M 16/06; A61M 16/0666; A61M 2210/0618; A61M 16/0683
See application file for complete search history.

(56) **References Cited**

U.S. PATENT DOCUMENTS

4,429 A	3/1846	Cooke et al.
781,516 A	1/1905	Guthrie
812,706 A	2/1906	Warbasse
1,081,745 A	12/1913	Johnston
1,192,186 A	7/1916	Greene
1,653,572 A	12/1927	Jackson
1,926,027 A	9/1933	Biggs
2,123,353 A	7/1938	Catt

(Continued)

FOREIGN PATENT DOCUMENTS

AU	91/77110 B	11/1991
AU	94/64816 B	12/1994

(Continued)

OTHER PUBLICATIONS

Mask 1 Photographs, Respironics Inc., Reusable Full Mask (small) Part #452033 Lot #951108.

(Continued)

Primary Examiner — Barbara Fox
Assistant Examiner — Lilyana Bekic
(74) *Attorney, Agent, or Firm* — Nixon & Vanderhye P.C.

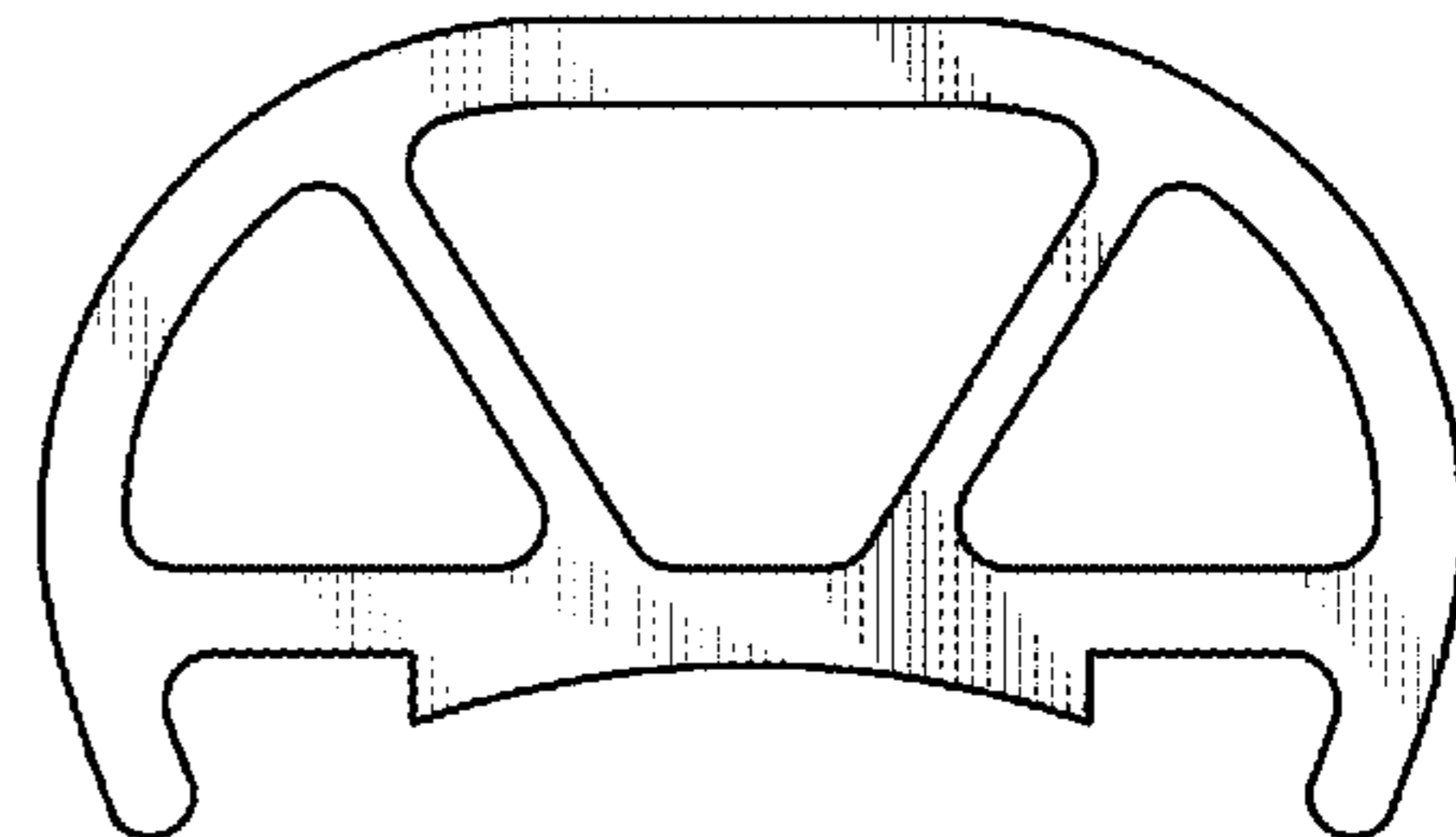
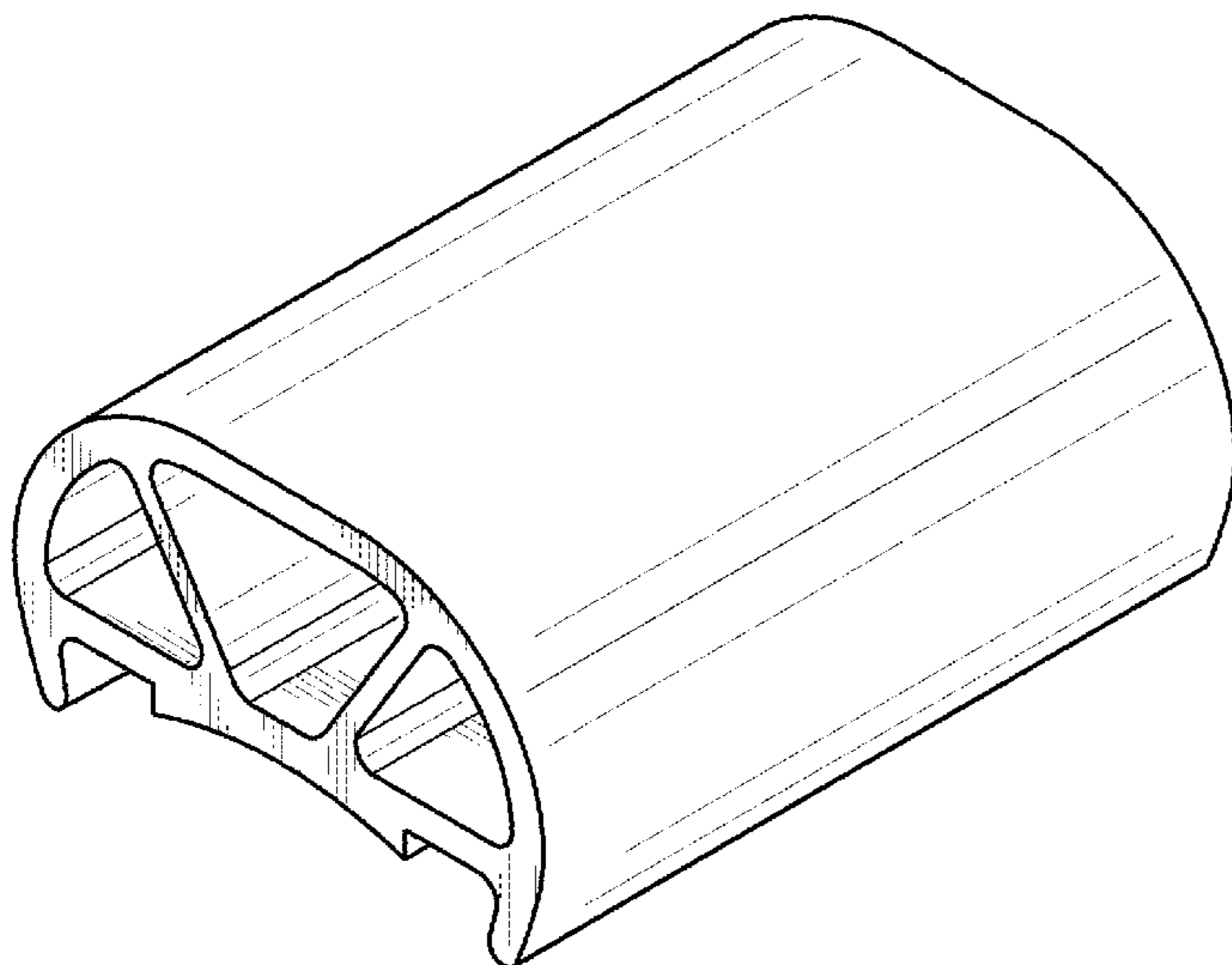
(57) **CLAIM**

The ornamental design for a pad for forehead support, as shown and described.

DESCRIPTION

FIG. 1 is a front isometric view of a pad for forehead support according to my new design;
FIG. 2 is a reverse isometric view thereof;
FIG. 3 is another front isometric view thereof;
FIG. 4 is a top view thereof; and,
FIG. 5 is an end view thereof.

1 Claim, 2 Drawing Sheets



(56)

References Cited

U.S. PATENT DOCUMENTS				
2,245,969 A	6/1941	Francisco et al.	4,848,334 A	7/1989 Bellm
2,248,477 A	7/1941	Lombard	4,848,366 A	7/1989 Aita et al.
2,254,854 A	9/1941	O'Connell	4,907,584 A	3/1990 McGinnis
2,287,353 A	6/1942	Minnick	4,910,806 A	3/1990 Baker et al.
2,317,608 A	4/1943	Heidbrink	4,919,128 A	4/1990 Kopala et al.
2,371,965 A	3/1945	Lehmberg	4,938,210 A	7/1990 Shene
2,376,671 A	5/1945	Fink	4,938,212 A	7/1990 Snook et al.
2,415,846 A	2/1947	Randall	4,944,310 A	7/1990 Sullivan
2,438,058 A	3/1948	Kincheloe	D310,431 S	9/1990 Bellm
2,578,621 A	12/1951	Yant	4,971,051 A	11/1990 Toffolon
2,590,006 A	3/1952	Gordon	4,986,269 A	1/1991 Hakkinen
2,617,751 A	11/1952	Bickett	4,989,596 A	2/1991 MacRis et al.
2,664,084 A	12/1953	Hammermann	4,989,599 A	2/1991 Carter
2,931,356 A	4/1960	Schwarz	5,005,568 A	4/1991 Loescher et al.
D188,084 S	5/1960	Garellick	5,005,571 A	4/1991 Dietz
2,939,458 A	6/1960	Lundquist	5,038,776 A	8/1991 Harrison et al.
3,013,556 A	12/1961	Galleher	5,042,473 A	8/1991 Lewis
3,182,659 A	5/1965	Blount et al.	5,042,478 A	8/1991 Kopala et al.
3,189,027 A	6/1965	Bartlett	5,046,200 A	9/1991 Feder
3,193,624 A	7/1965	Webb et al.	5,063,922 A	11/1991 Hakkinen
3,238,943 A	3/1966	Holley	5,069,205 A	12/1991 Urso
3,315,674 A	4/1967	Bloom et al.	D323,908 S	2/1992 Hollister et al.
3,330,273 A	7/1967	Bennett	5,109,839 A	5/1992 Blasdel et al.
3,362,420 A	1/1968	Blackburn et al.	5,109,840 A	5/1992 Daleiden
3,363,833 A	1/1968	Laerdal	5,121,745 A	6/1992 Israel
3,556,122 A	1/1971	Laerdal	5,133,347 A	7/1992 Huenebeck
3,580,051 A	5/1971	Blevins	5,140,980 A	8/1992 Haughey et al.
3,585,910 A *	6/1971	Brown E01C 11/106	5,140,982 A	8/1992 Bauman
		138/115	5,159,938 A	11/1992 Laughlin
3,700,000 A	10/1972	Hesse et al.	5,178,138 A	1/1993 Walstrom et al.
3,718,403 A *	2/1973	Kerschner E01C 11/106	D334,633 S	4/1993 Rudolph
		277/645	5,220,699 A	6/1993 Farris
3,720,235 A	3/1973	Schrock	5,231,983 A	8/1993 Matson et al.
3,750,333 A	8/1973	Vance	5,233,978 A	8/1993 Callaway
3,752,157 A	8/1973	Malmin	5,243,971 A	9/1993 Sullivan et al.
3,796,216 A	3/1974	Schwarz	5,265,595 A	11/1993 Rudolph
3,799,164 A	3/1974	Rollins	5,279,289 A	1/1994 Kirk
D231,803 S	6/1974	Huddy	5,280,784 A	1/1994 Kohler
3,830,230 A	8/1974	Chester	5,311,862 A	5/1994 Blasdel et al.
D247,185 S *	2/1978	Puccio D25/122	5,322,057 A	6/1994 Raabe et al.
D247,373 S *	2/1978	Puccio D25/122	5,322,059 A	6/1994 Walther
4,077,404 A	3/1978	Elam	5,343,878 A	9/1994 Scarberry et al.
D250,131 S	10/1978	Lewis et al.	5,357,951 A	10/1994 Ratner
4,167,185 A	9/1979	Lewis	5,372,130 A	12/1994 Stern et al.
4,226,234 A	10/1980	Gunderson	5,388,273 A	2/1995 Sydor et al.
4,245,632 A	1/1981	Houston	5,388,571 A	2/1995 Roberts et al.
D262,322 S	12/1981	Mizerak	5,404,871 A	4/1995 Goodman et al.
4,304,229 A	12/1981	Curtin	5,419,318 A	5/1995 Tayebi
4,328,797 A	5/1982	Rollins et al.	5,429,126 A	7/1995 Bracken
4,347,205 A	8/1982	Stewart	5,429,683 A	7/1995 Le Mitouard
4,354,488 A	10/1982	Bartos	5,431,158 A	7/1995 Tirota
4,402,316 A	9/1983	Gadberry	5,438,981 A	8/1995 Starr et al.
4,412,537 A	11/1983	Tiger	5,441,046 A	8/1995 Starr et al.
4,467,799 A	8/1984	Steinberg	D362,061 S	9/1995 McGinnis et al.
4,522,639 A	6/1985	Ansite et al.	5,477,852 A	12/1995 Landis et al.
4,558,710 A	12/1985	Eichler	5,479,920 A	1/1996 Piper et al.
4,566,137 A	1/1986	Gooding	5,481,763 A	1/1996 Brostrom et al.
4,616,647 A	10/1986	McCreadie	5,488,948 A	2/1996 Dubruille et al.
4,622,964 A	11/1986	Flynn	5,492,116 A	2/1996 Scarberry et al.
4,655,213 A	4/1987	Rapoport et al.	5,501,214 A	3/1996 Sabo
4,665,570 A	5/1987	Davis	5,509,404 A	4/1996 Lloyd et al.
4,671,271 A	6/1987	Bishop et al.	5,517,986 A	5/1996 Starr et al.
4,677,975 A	7/1987	Edgar et al.	5,538,000 A	7/1996 Rudolph
4,677,977 A	7/1987	Wilcox	5,540,223 A	7/1996 Starr et al.
D293,613 S	1/1988	Wingler	5,542,128 A	8/1996 Lomas
4,732,147 A	3/1988	Fuller	5,546,936 A	8/1996 Virag et al.
4,739,755 A	4/1988	While et al.	5,558,090 A	9/1996 James
4,770,169 A	9/1988	Schmoegner et al.	RE35,339 E	10/1996 Rapoport
4,774,941 A	10/1988	Cook	5,560,354 A	10/1996 Berthon-Jones et al.
4,782,832 A	11/1988	Trimble et al.	5,566,389 A	10/1996 Li
4,799,477 A	1/1989	Lewis	5,570,682 A	11/1996 Johnson
4,809,692 A	3/1989	Nowacki et al.	5,570,689 A	11/1996 Starr et al.
4,819,629 A	4/1989	Jonson	D377,089 S	12/1996 Starr et al.
4,821,713 A	4/1989	Bauman	5,592,938 A	1/1997 Scarberry et al.
4,841,953 A	6/1989	Dodrill	5,608,647 A	3/1997 Rubsamen et al.
			5,642,730 A	7/1997 Baran
			5,647,355 A	7/1997 Starr et al.
			5,647,357 A	7/1997 Barnett et al.
			5,649,532 A	7/1997 Griffiths

(56)

References Cited

U.S. PATENT DOCUMENTS

5,649,533 A 7/1997 Oren
 5,655,520 A 8/1997 Howe et al.
 5,655,527 A 8/1997 Scarberry et al.
 5,657,493 A 8/1997 Ferrero et al.
 5,657,752 A 8/1997 Landis et al.
 5,662,101 A 9/1997 Ogden et al.
 5,666,946 A 9/1997 Langenback
 5,685,296 A 11/1997 Zdrojkowski et al.
 5,687,715 A 11/1997 Landis et al.
 5,715,814 A 2/1998 Ebers
 5,724,965 A 3/1998 Handke et al.
 5,746,201 A 5/1998 Kidd
 5,813,423 A 9/1998 Kirchgeorg
 5,832,918 A 11/1998 Pantino
 5,921,239 A 7/1999 McCall et al.
 5,937,851 A 8/1999 Serowski et al.
 6,044,844 A 4/2000 Kwok et al.
 6,098,205 A 8/2000 Schwartz et al.
 6,112,746 A 9/2000 Kwok et al.
 6,119,693 A * 9/2000 Kwok A61M 16/06
 128/201.11
 6,123,071 A 9/2000 Berthon-Jones et al.
 6,152,137 A 11/2000 Schwartz et al.
 D439,326 S 3/2001 Hecker et al.
 D443,355 S 6/2001 Gunaratnam et al.
 6,257,237 B1 7/2001 Suzuki
 6,341,606 B1 1/2002 Bordewick et al.
 6,374,826 B1 4/2002 Gunaratnam et al.
 D458,365 S * 6/2002 Kopacko D24/110.1
 D458,993 S * 6/2002 Kopacko D24/110.1
 6,397,847 B1 6/2002 Scarberry et al.
 6,463,931 B1 10/2002 Kwok et al.
 6,467,483 B1 * 10/2002 Kopacko A61M 16/06
 128/205.25
 D468,823 S 1/2003 Smart
 6,520,182 B1 2/2003 Gunaratnam
 6,532,961 B1 3/2003 Gunaratnam et al.
 6,557,556 B2 5/2003 Kwok et al.
 D476,732 S * 7/2003 Smart D24/110.1
 D484,237 S 12/2003 Lang et al.
 6,679,261 B2 * 1/2004 Lithgow A61M 16/06
 128/205.25
 6,691,707 B1 2/2004 Gunaratnam et al.
 6,691,708 B2 2/2004 Kwok et al.
 D492,992 S 7/2004 Guney et al.
 6,918,390 B2 7/2005 Lithgow et al.
 D510,439 S * 10/2005 Wilkens D24/180
 6,997,188 B2 2/2006 Kwok et al.
 7,296,574 B2 * 11/2007 Ho A61M 16/0633
 128/201.24
 7,523,753 B2 4/2009 Gunaratnam et al.
 7,640,933 B1 * 1/2010 Ho A61M 16/06
 128/206.21
 D624,642 S 9/2010 Collazo
 D626,215 S 10/2010 Collazo
 7,882,837 B2 2/2011 Kwok et al.
 D684,257 S * 6/2013 Clarke D24/110.1
 D684,683 S 6/2013 Curti
 D687,538 S * 8/2013 Collazo D24/110.1
 D692,126 S * 10/2013 Lee D24/110.4
 D693,460 S * 11/2013 Rothermel D24/110.4
 D693,461 S * 11/2013 Rothermel D24/110.4
 D693,462 S * 11/2013 Rothermel D24/110.4
 D697,203 S * 1/2014 Clarke D24/110.4
 D700,697 S * 3/2014 Ho D24/110.4
 D700,961 S * 3/2014 Tellez D24/110
 9,220,861 B2 * 12/2015 Kwok A61M 16/06
 9,333,313 B2 * 5/2016 Haibach A61M 16/06
 9,399,107 B2 * 7/2016 Ho A61M 16/06
 D782,028 S * 3/2017 Kwok A61M 16/06
 D24/110.1
 9,636,475 B2 * 5/2017 Ho A61M 16/06
 2002/0026934 A1 * 3/2002 Lithgow A61M 16/06
 128/97.1

2003/0005935 A1 1/2003 Kwok et al.
 2003/0084904 A1 5/2003 Gunaratnam
 2003/0221691 A1 12/2003 Biener et al.
 2004/0025881 A1 * 2/2004 Gunaratnam A61M 16/06
 128/206.15
 2004/0045550 A1 3/2004 Lang et al.
 2004/0060561 A1 4/2004 Kwok et al.
 2004/0211428 A1 * 10/2004 Jones, Jr. A61M 16/06
 128/206.27
 2005/0011522 A1 1/2005 Ho et al.
 2005/0155605 A1 7/2005 Lithgow et al.
 2006/0011202 A1 1/2006 Kwok et al.
 2011/0094517 A1 4/2011 Kwok et al.
 2015/0343165 A1 * 12/2015 Gunaratnam A61M 16/06
 128/205.25
 2017/0136201 A1 * 5/2017 Frerichs A61M 16/0633
 2017/0143925 A1 * 5/2017 McAuley A61M 16/0622

FOREIGN PATENT DOCUMENTS

AU 95/16178 B 7/1995
 AU 9459430 2/1996
 AU A 32914/95 2/1996
 AU A 41018/97 4/1998
 AU A 89312/98 1/1999
 CA 1039144 9/1928
 DE 459104 4/1928
 DE 701 690 1/1941
 DE 159396 6/1981
 DE 3015279 A1 10/1981
 DE 3345067 A1 6/1984
 DE 3537507 4/1987
 DE 3539073 A1 5/1987
 DE 4004157 C1 4/1991
 DE 4343205 A1 6/1995
 DE 197 35 359 1/1998
 DE 297 23 101 7/1998
 DE 298 10846 U1 8/1998
 EP 0 054 154 10/1981
 EP 0 252 052 A1 1/1988
 EP 0 264 772 A1 4/1988
 EP 0 386 605 A1 2/1990
 EP 0 427 474 A2 5/1991
 EP 0 462 701 A1 12/1991
 EP 0 602 424 11/1993
 EP 0 608 684 A1 8/1994
 EP 0 697 225 7/1995
 EP 178 925 A2 4/1996
 EP 0 747 078 A2 12/1996
 EP 0 821 978 2/1998
 FR 2 574 657 A1 6/1986
 FR 2 658 725 A1 8/1991
 FR 2 749 176 12/1997
 GB 1395391 5/1975
 GB 1 467 828 3/1977
 GB 2145335 A 3/1985
 GB 2147506 A 5/1985
 GB 2 164 569 A 3/1986
 GB 2 267 648 A 12/1993
 JP 09/216240 A 8/1997
 WO WO 80/01044 5/1980
 WO WO 82/03548 10/1982
 WO WO 86/06969 12/1986
 WO WO 87/01950 4/1987
 WO WO 91/03277 3/1991
 WO WO 92/15353 9/1992
 WO WO 92/20395 11/1992
 WO WO 93/01854 2/1993
 WO WO 94/02190 2/1994
 WO WO 94/16759 8/1994
 WO WO 94/20051 9/1994
 WO WO 95/02428 1/1995
 WO WO 96/17643 6/1996
 WO WO 96/25983 8/1996
 WO WO 96/39206 12/1996
 WO WO 97/07847 3/1997
 WO WO 97/41911 11/1997
 WO WO 98/04310 2/1998
 WO WO 98/11930 3/1998

(56)

References Cited

FOREIGN PATENT DOCUMENTS

WO	WO 98/18514	5/1998
WO	WO 98/24499	6/1998
WO	WO 98/26829	6/1998
WO	WO 98/26830	6/1998
WO	WO 98/48878	11/1998

OTHER PUBLICATIONS

Mask 2 Photographs, Puritan—Bennett, Adam Circuit, Shell Part #231700, Swivel Part #616329-00, Pillows (medium) Part #616324.
 Mask 3 Photographs, DeVilbiss Healthcare Inc., Devilbiss Seal-Ring and CPAP Mask Kit (medium), Part #73510-669.
 Mask 4 Photographs, Respiroics Inc., Monarch Mini Mask with Pressure Port, Part #572004, Monarch Headgear, Part #572011.
 Mask 5 Photographs, Healthdyne Technologies, Nasal CPAP Mask (medium narrow), Part #702510.
 Mask 6 Photographs, Healthdyne Technologies, Soft Series Nasal CPAP Mask, Part #702020.
 Mask 7 Photographs, DeVilbiss Healthcare Inc., Small Mask and Seal Rings, Part #73510-668.
 Mask 8 Photographs, Respiroics Inc., Reusable Contour Mask (medium), Part #302180.

Mask 9 Photographs, Healthdyne Technologies, Healthdyne Large Headgear.
 Mask 10 Photographs, Respiroics Inc., Soft Cap (medium), Part #302142.
 Mask 11 Photographs, Weinmann: Hamburg, Nasalmaskensystem mit Schalldämpfer (medium), Part #WN 23105.
 Mask 12 Photographs, Life Care.
 Mask 13 Photographs, Healthdyne Technologies.
 Mask 14 Photographs, King System.
 Mask 15 Photographs, Respiroics Inc., Pediatric Mask.
 Mask 16 Photographs, Hans Rudolph Inc., Hans Rudolph Silicone Rubber Face Mask/8900.
 Photograph of Weinmann Mask acquired prior to 1998.
 Sullivan Mirage brochure. © 1997. ResMed Limited.
 Sullivan Mirage brochure. © 1998. ResMed Limited.
 Somotron CPAP-Gerat WM 2300 Instruction Manual, Weinmann Hamburg, 11 pages, 1991.
 9 photographs of Weinmann mask. WM 23122. 1991.
 The ResMed Range of Mask Systems, product brochure, Nov. 1995, 4 pages.
 U.S. Appl. No. 29/496,315, filed Jul. 11, 2014 (parent application).
 U.S. Appl. No. 60/227,472, filed Aug. 2000, Lithgow et al.

* cited by examiner

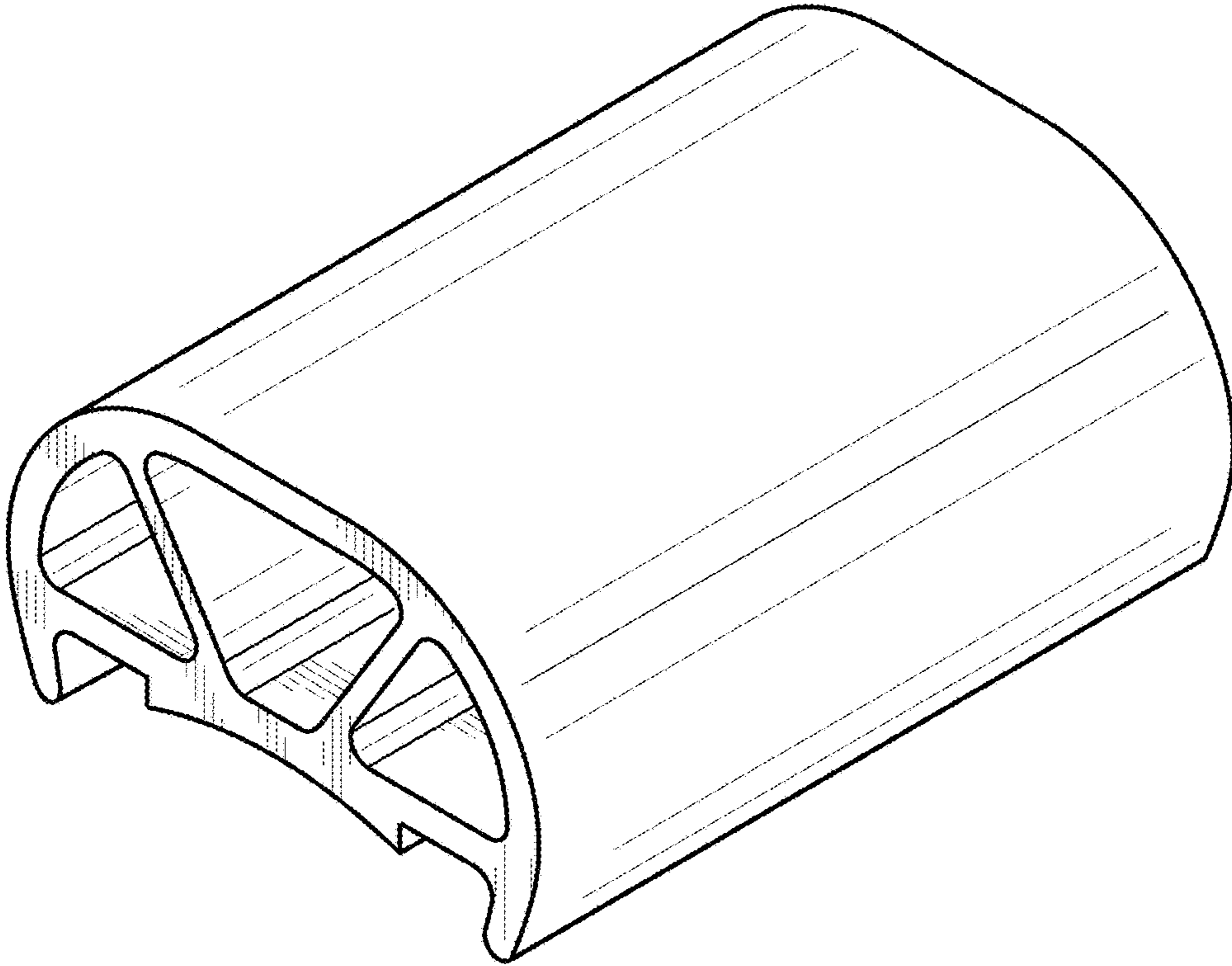


FIG. 1

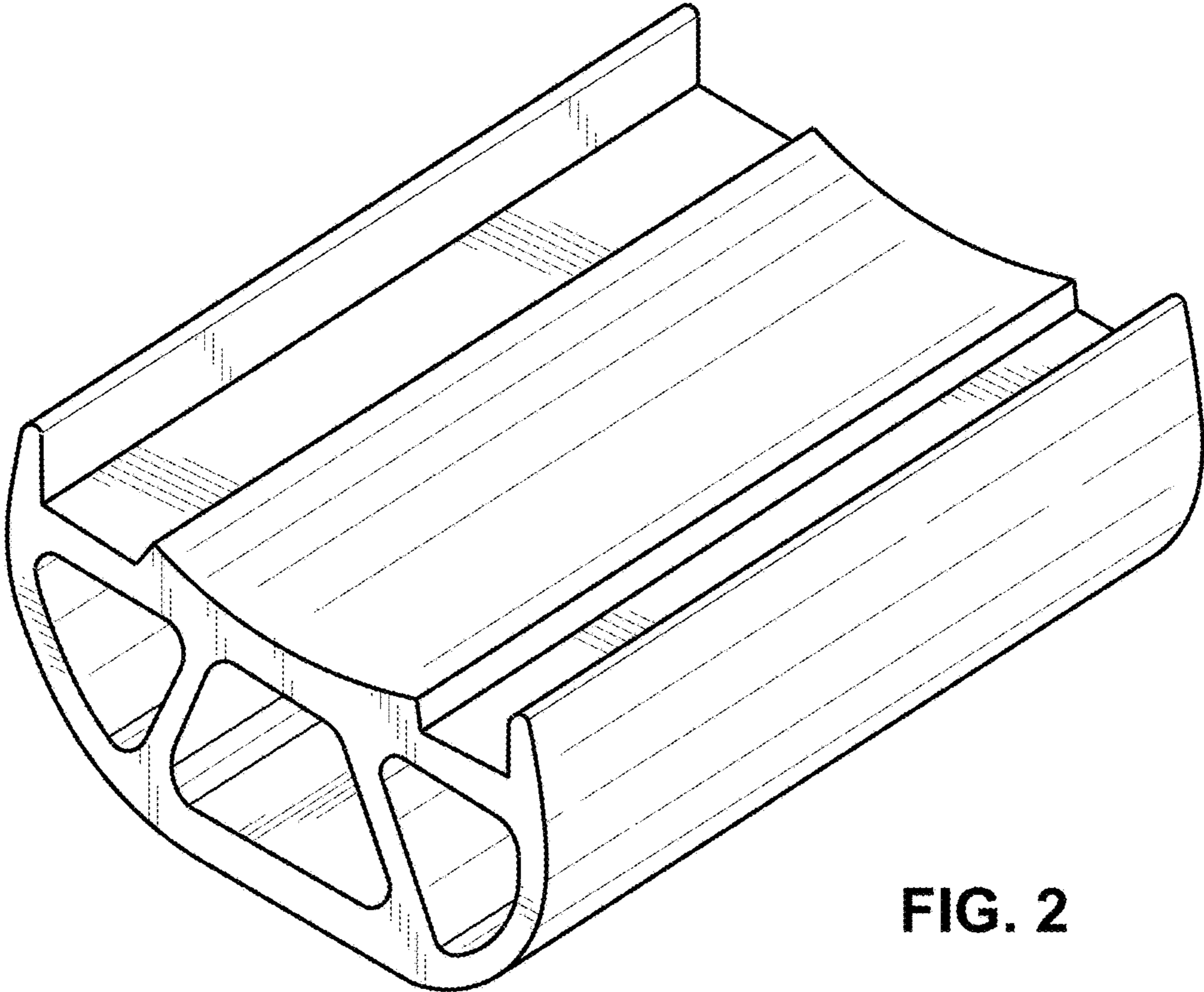


FIG. 2

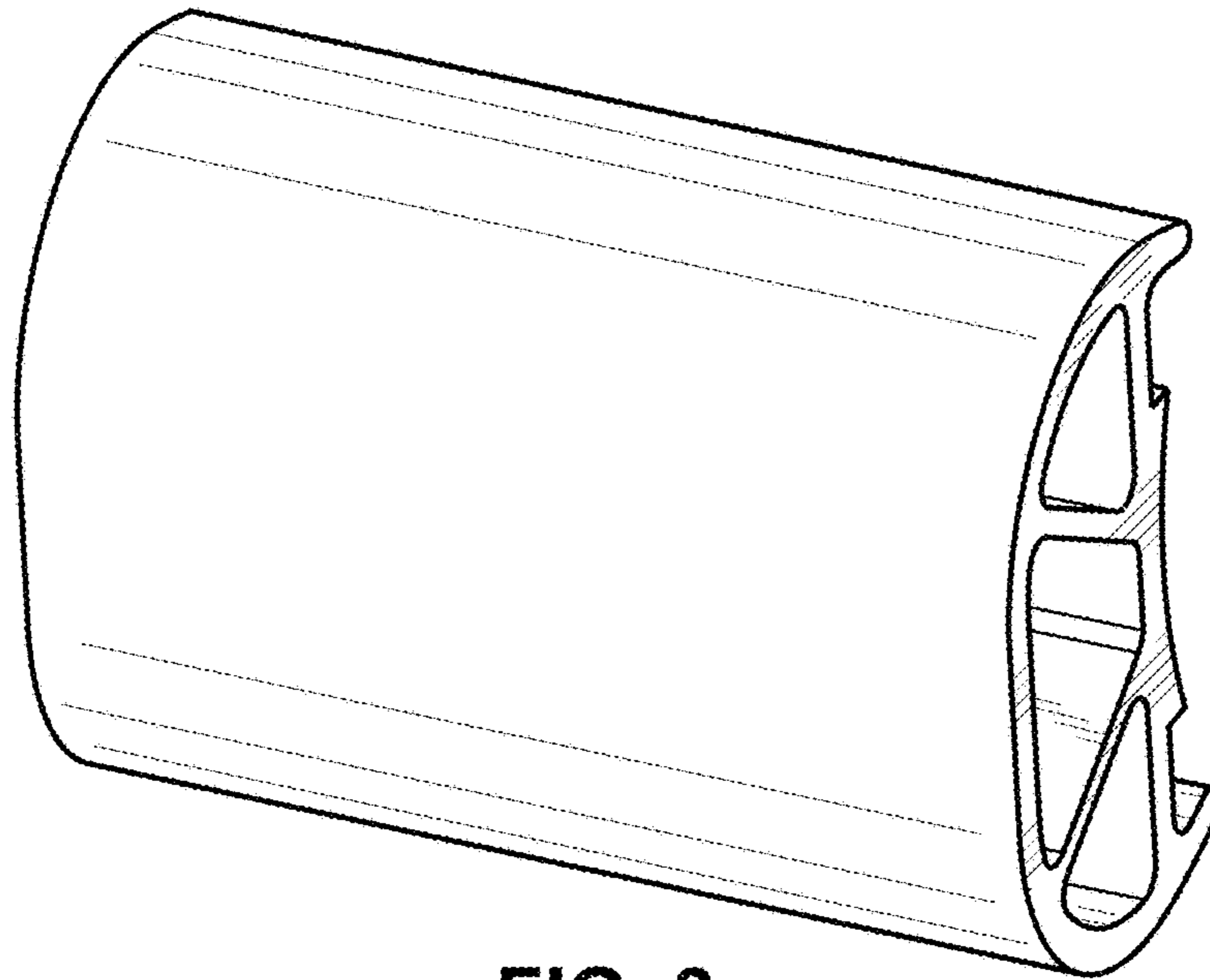


FIG. 3

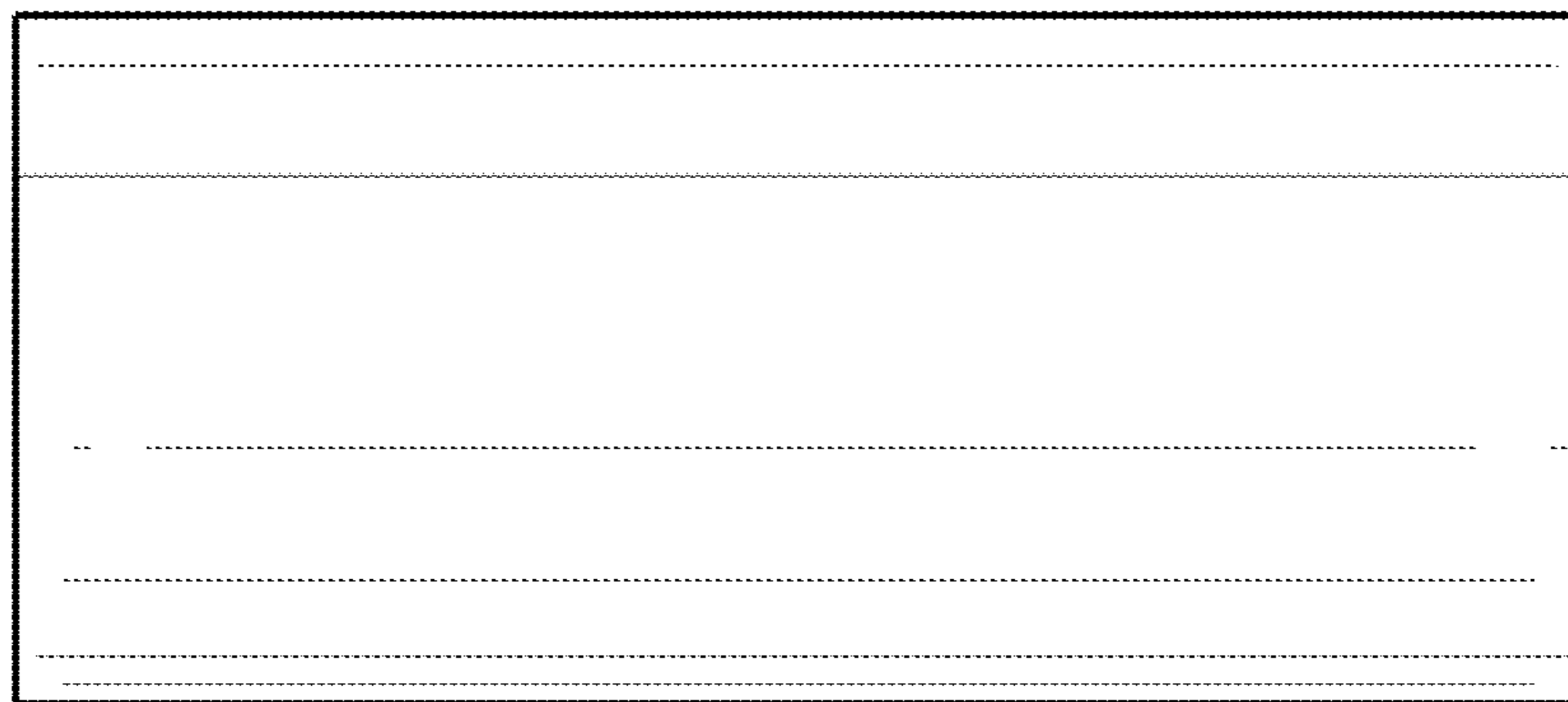


FIG. 4

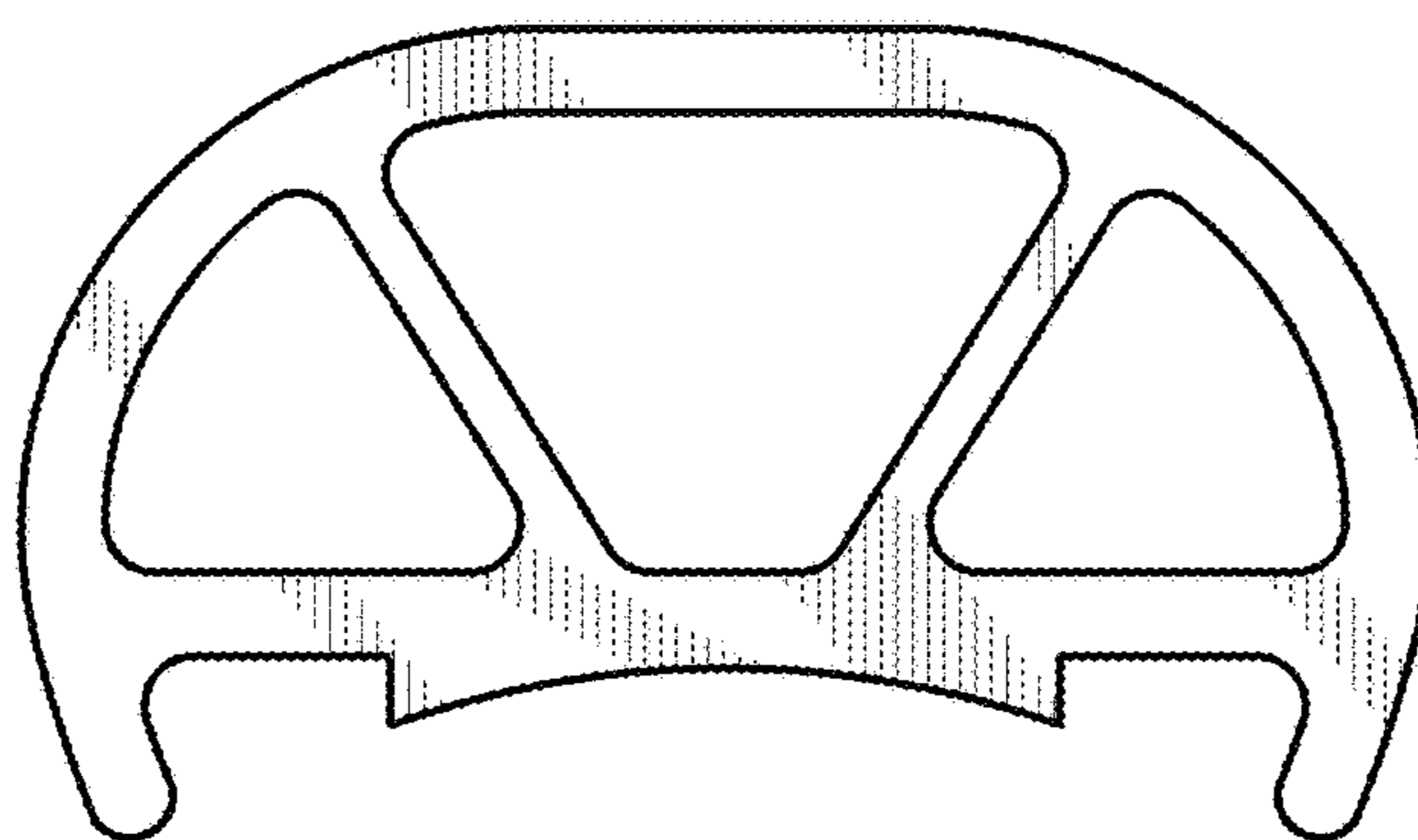


FIG. 5