

US00D807496S

(12) **United States Design Patent**
Dittrich et al.

(10) **Patent No.:** **US D807,496 S**
(45) **Date of Patent:** **** Jan. 9, 2018**

- (54) **EAR PLUG**
- (71) Applicant: **EAR LABS AB**, Malmö (SE)
- (72) Inventors: **Christian Dittrich**, Löderup (SE);
Casper Asmussen, Malmö (SE); **Dan Carlberg**, Malmö (SE)
- (73) Assignee: **EAR LABS AB**, Malmö (SE)
- (**) Term: **15 Years**
- (21) Appl. No.: **35/502,181**
- (22) Filed: **Jun. 28, 2016**
- (80) **Hague Agreement Data**
Int. Filing Date: **Jun. 28, 2016**
Int. Reg. No.: **DM/091481**
Int. Reg. Date: **Jun. 28, 2016**
Int. Reg. Pub. Date: **Dec. 30, 2016**
- (51) **LOC (11) Cl.** **24-04**
- (52) **U.S. Cl.**
USPC **D24/106**
- (58) **Field of Classification Search**
USPC D24/106; 128/864, 867
CPC A61F 11/08
See application file for complete search history.

- D548,325 S * 8/2007 Benner D24/106
- 7,510,046 B2 * 3/2009 Doty A61F 11/08
128/867
- D604,409 S * 11/2009 Scanlon D24/106
- D682,413 S * 5/2013 Gross D24/106
- D760,372 S * 6/2016 Williams D24/106
- D760,887 S 7/2016 Dittrich et al.
- D788,906 S 6/2017 Dittrich et al.
- D789,515 S * 6/2017 Salais, Sr. D24/106
- 2016/0022498 A1 1/2016 Dittrich

* cited by examiner

Primary Examiner — Rhea Shields

(74) *Attorney, Agent, or Firm* — Larson & Larson, P.A.;
Frank Liebenow

(57) **CLAIM**

The ornamental design for an ear plug, as shown and described.

DESCRIPTION

- 1. Ear plug
- 1.1 is a perspective view;
- 1.2 is a front view;
- 1.3 is a side view;
- 1.4 is side view;
- 1.5 is a top view;
- 1.6 is bottom view;
- 1.7 is perspective view; and
- 1.8 is rear view.

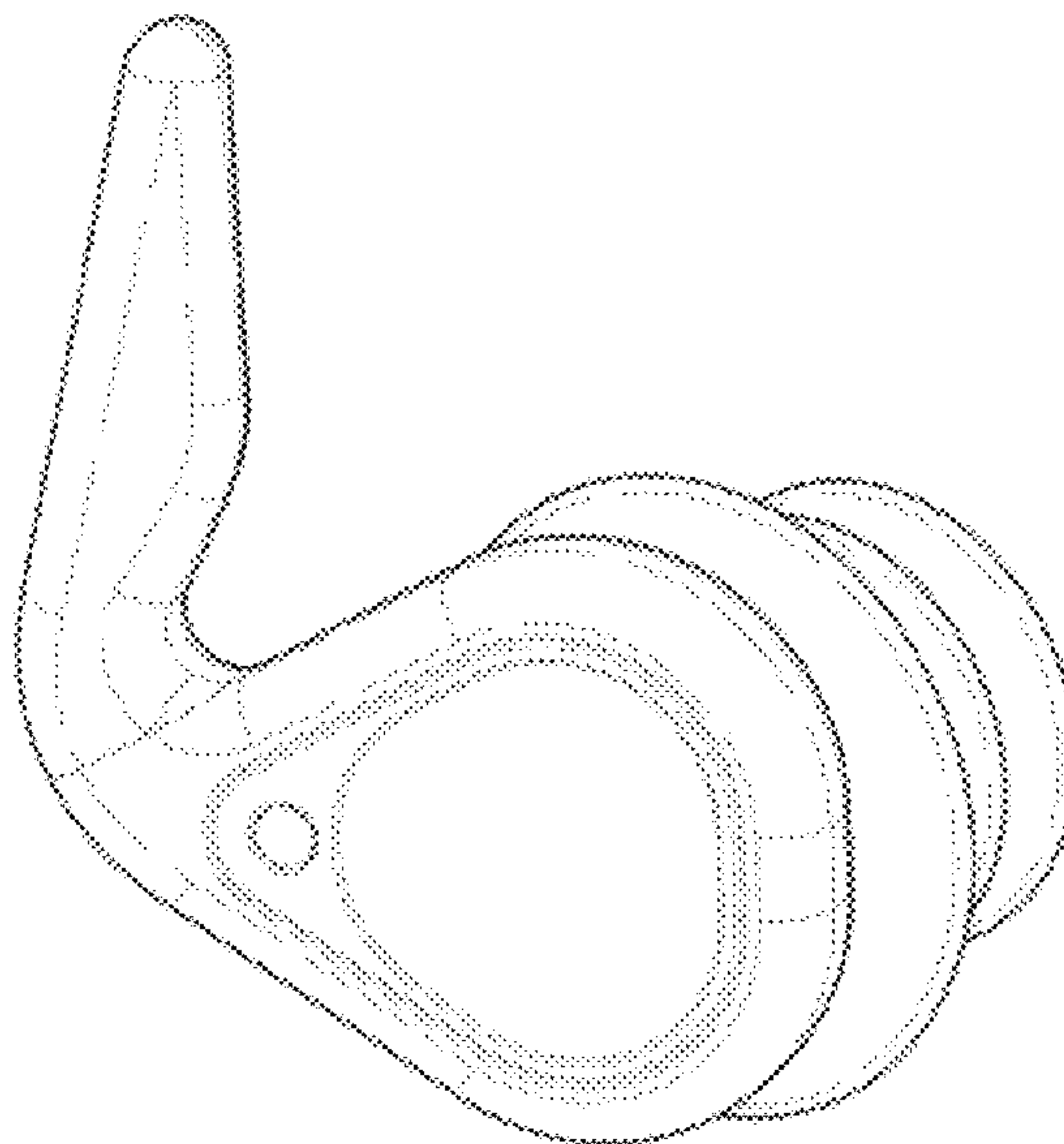
Ear plug used for stopping water from entering the ear, especially when surfing or performing water sports; the ear plug will keep water outside the ear and will simultaneously let air pass into the ear canal, hence permitting sound to be heard by the user when it is arranged into the ear.

In the drawings, the broken lines are for the purpose of illustrating environment only and form no part of the claimed design.

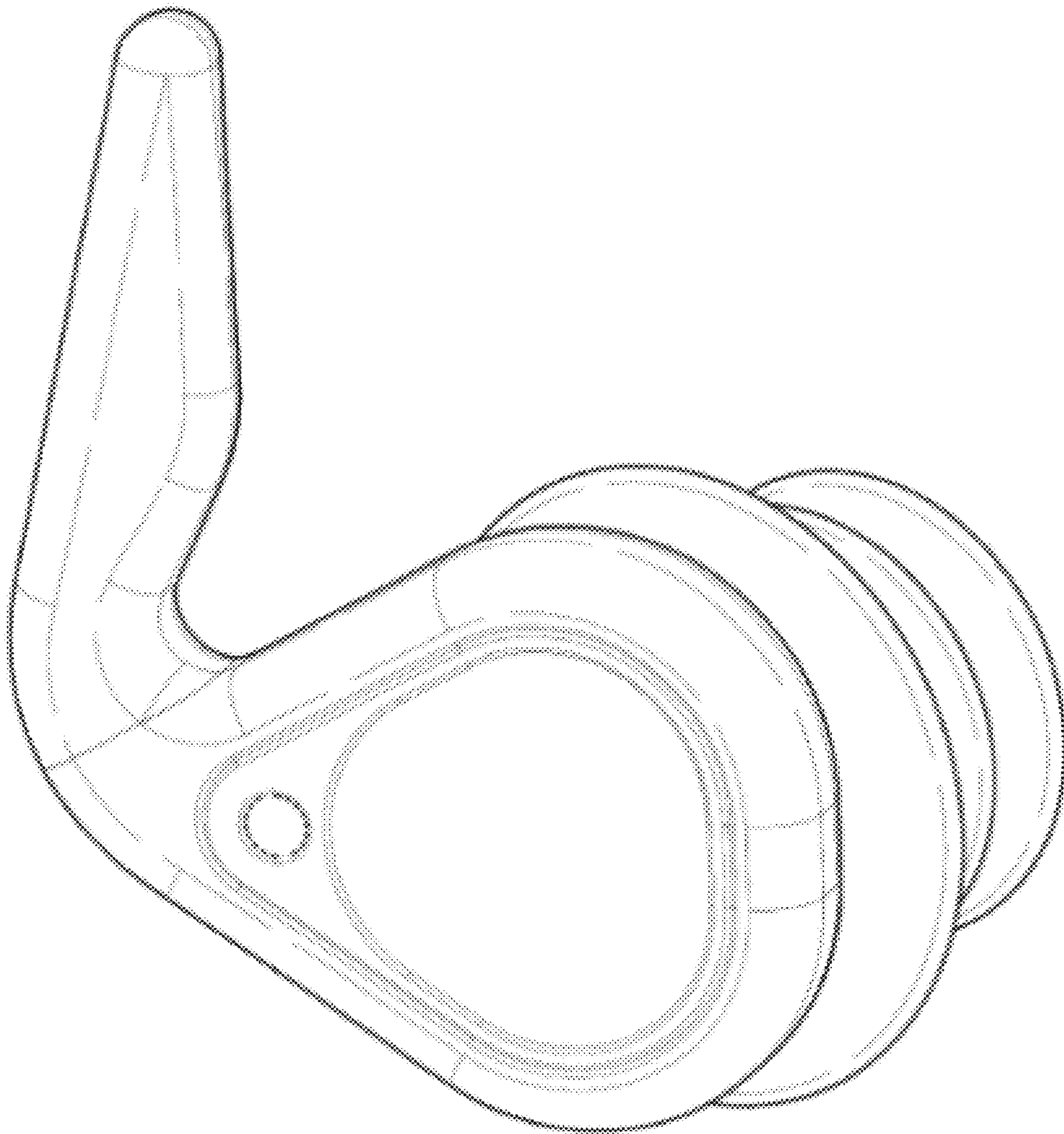
1 Claim, 8 Drawing Sheets

(56) **References Cited**
U.S. PATENT DOCUMENTS

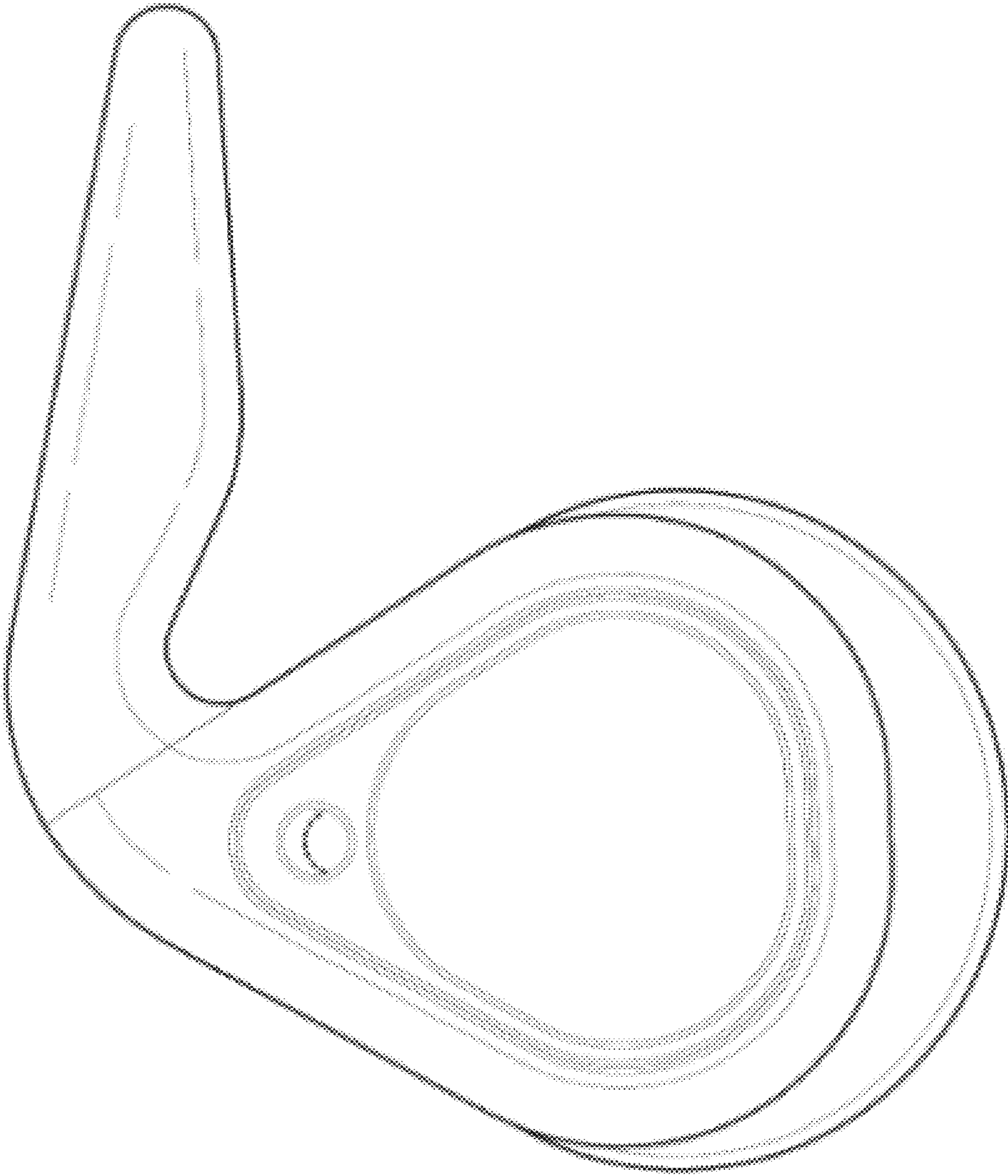
- D253,723 S * 12/1979 Leight 128/864
- D265,129 S * 6/1982 Leight D24/106
- D364,455 S * 11/1995 Krause D24/106
- D408,526 S * 4/1999 Westerdal D24/106
- D452,909 S * 1/2002 Saulce D24/106
- D511,381 S * 11/2005 Chiang D24/106
- D521,637 S * 5/2006 Yang D24/106



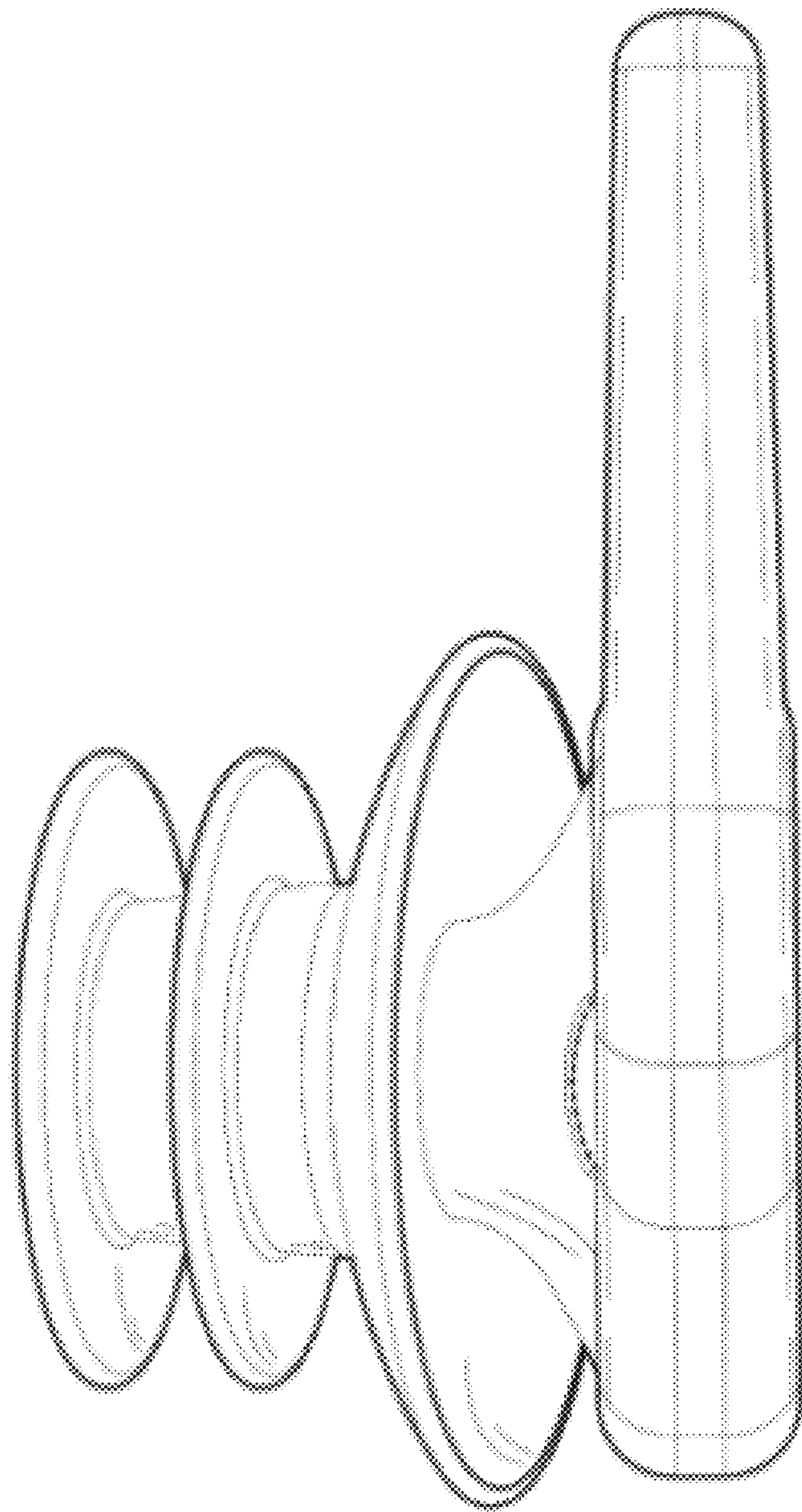
1.1



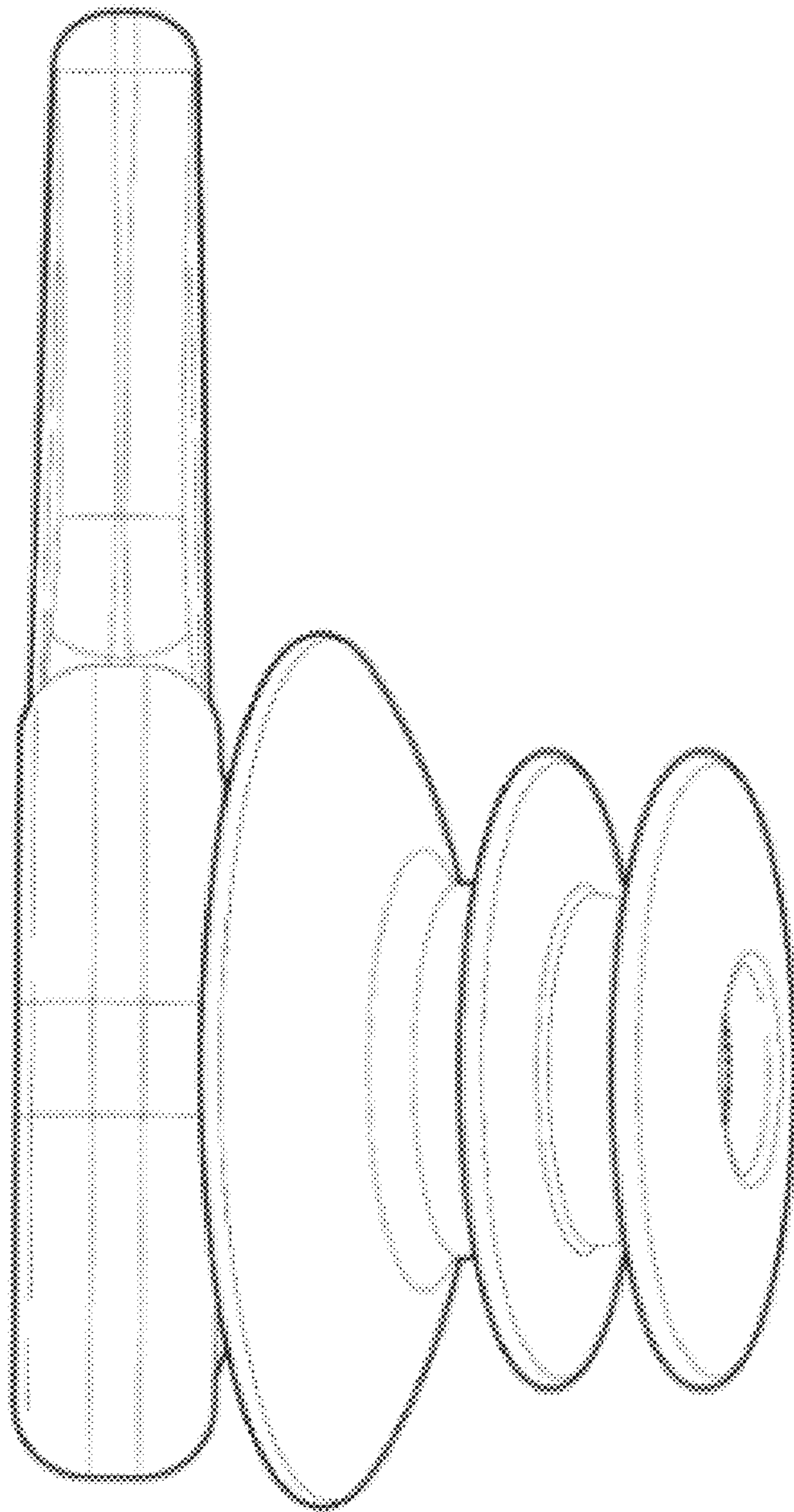
1.2



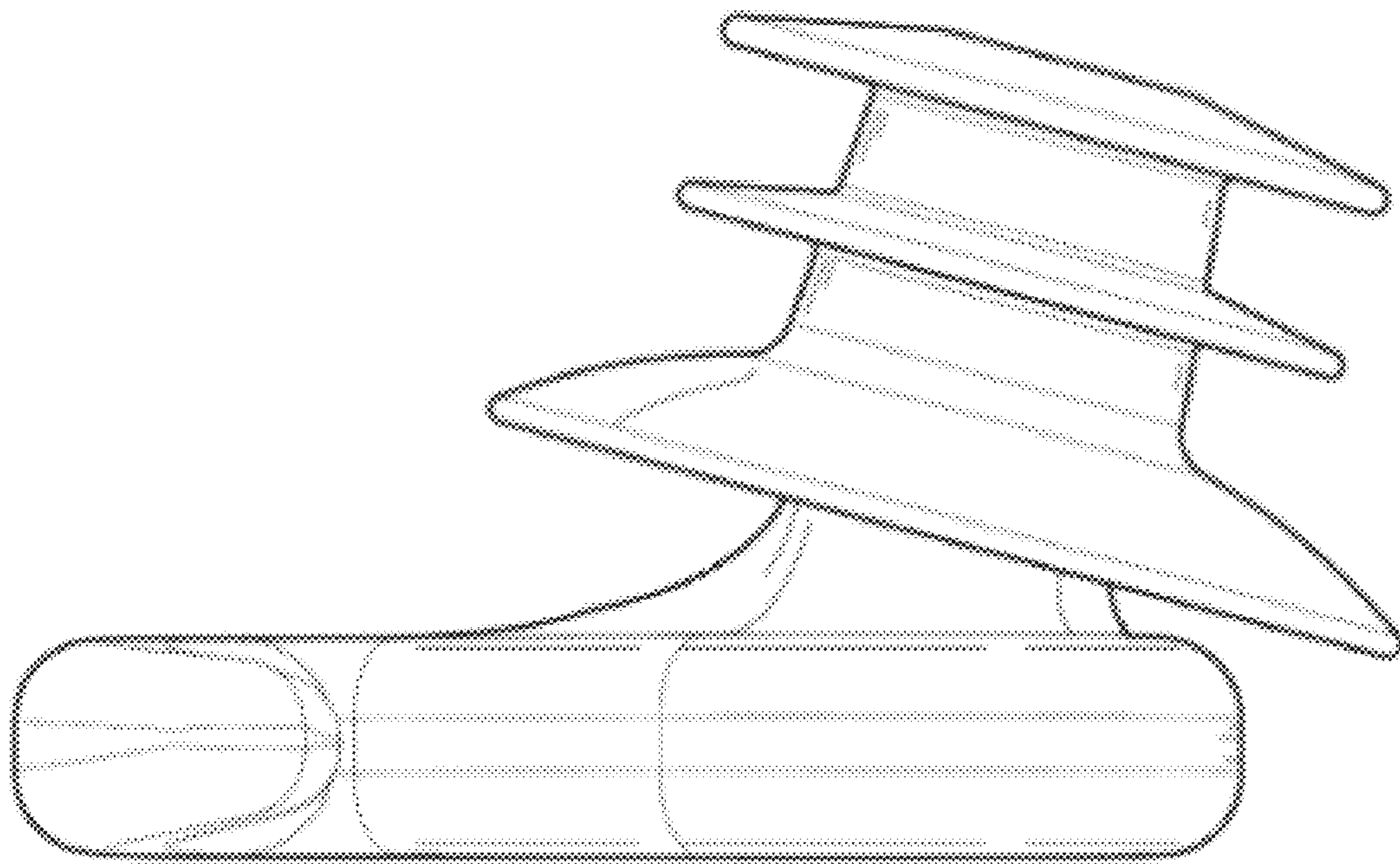
1.3



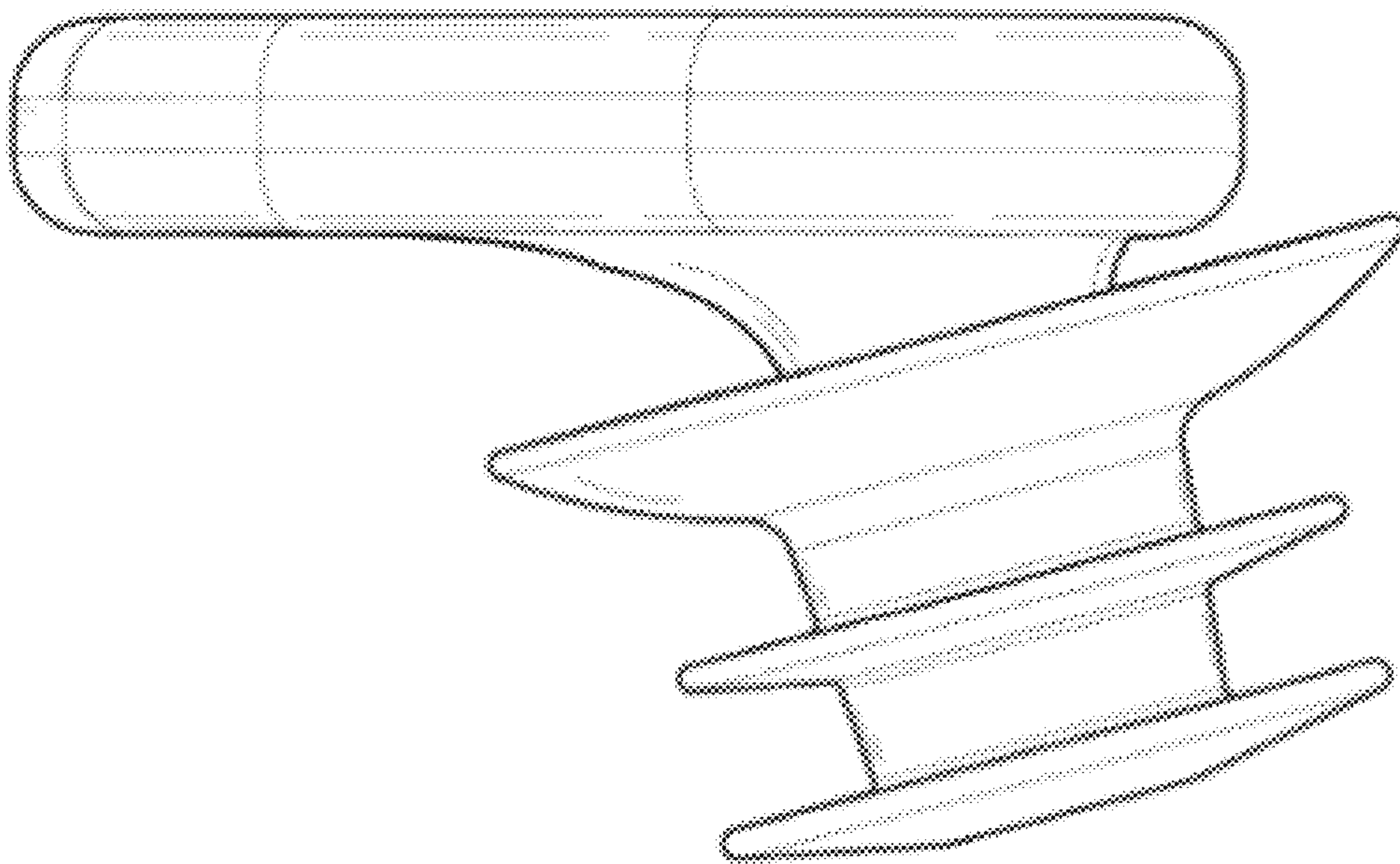
1.4



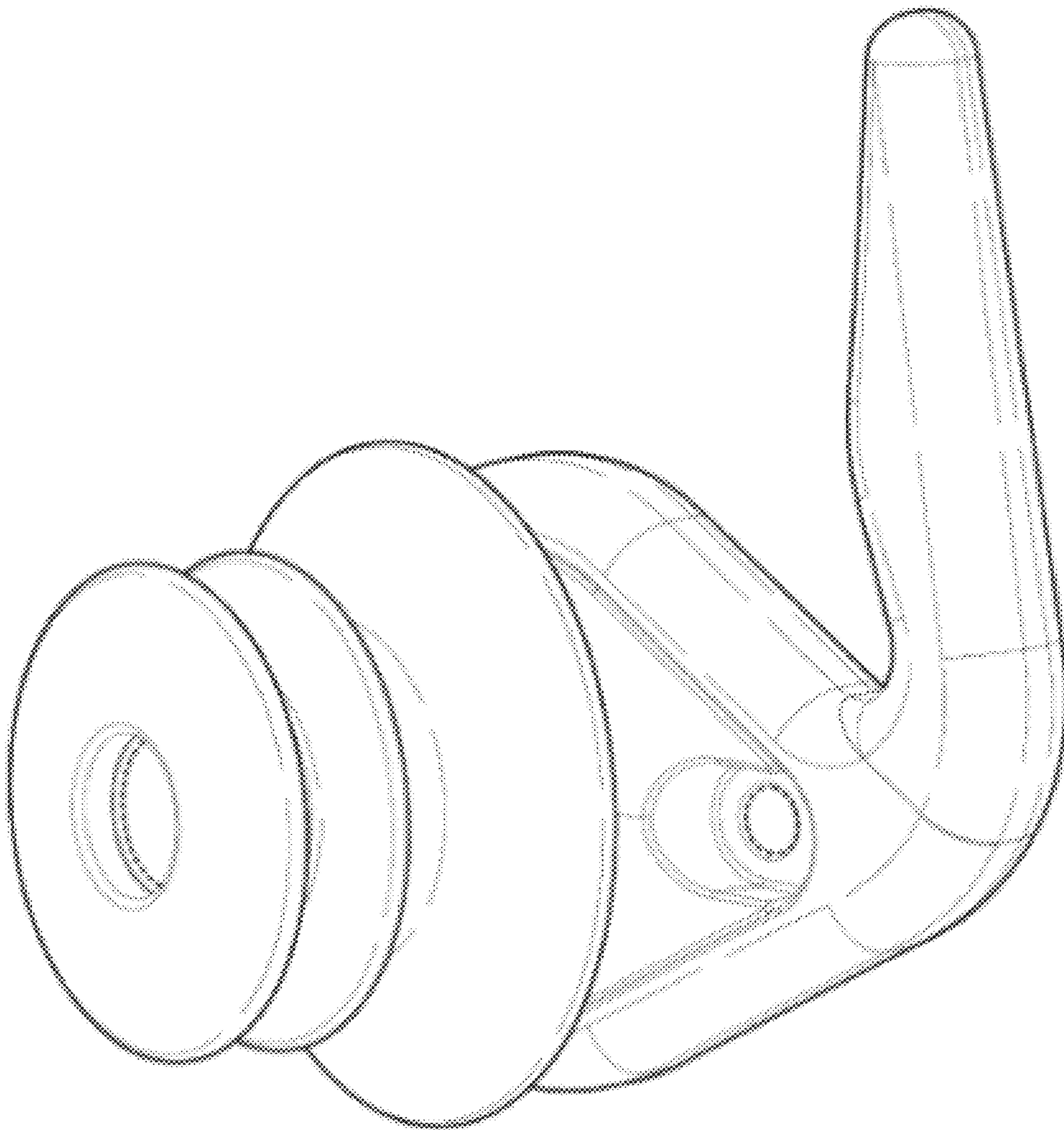
1.5



1.6



1.7



1.8

