



US00D807495S

(12) **United States Design Patent**
Hirsch et al.

(10) **Patent No.:** **US D807,495 S**

(45) **Date of Patent:** **** Jan. 9, 2018**

(54) **RECESSED CHILLED BEAM**

37/04; E04F 17/00; E21F 1/04; F01P
1/02; F17C 13/04; F22B 1/1876; F22B
1/22; F22B 3/04

(71) Applicant: **Air Distribution Technologies IP,
LLC.**, Milwaukee, WI (US)

See application file for complete search history.

(72) Inventors: **Joachim Hirsch**, Colleyville, TX (US);
Honghui Zhang, Richardson, TX (US);
Ernest Freeman, Dallas, TX (US);
Keith Glasch, Plano, TX (US); **Blake
Robert Gallagher**, Seattle, WA (US);
Paul Sheppard Woolford, San
Francisco, CA (US); **Thomas Adam
Kaczowski**, Univeristy City, MO (US)

(56) **References Cited**

U.S. PATENT DOCUMENTS

3,272,978 A * 9/1966 Jackson F21S 8/06
174/535
4,531,180 A * 7/1985 Hernandez F21V 11/00
362/297
D329,691 S * 9/1992 Soderberg D23/330
(Continued)

(73) Assignee: **Air System Components, Inc.**, Plano,
TX (US)

OTHER PUBLICATIONS

Frenger active-chilled-beam, image post date , site visited Feb. 25,
2017, (online), <[http://web.archive.org/web/20140219171207/
http://www.frenger.co.uk/technical/design-capabilities.html](http://web.archive.org/web/20140219171207/http://www.frenger.co.uk/technical/design-capabilities.html)>.*

(**) Term: **14 Years**

(Continued)

(21) Appl. No.: **29/524,249**

Primary Examiner — Kevin Rudzinski
Assistant Examiner — Sean D. Lough

(22) Filed: **Apr. 17, 2015**

(51) **LOC (11) Cl.** **23-04**

(52) **U.S. Cl.**
USPC **D23/393**

(58) **Field of Classification Search**
USPC D14/356; D10/93, 104.1, 108, 114;
D8/4, 25, 52; D17/20, 22, 23; D23/323,
D23/328, 333, 335, 336, 337, 341, 352,
D23/357, 370, 385, 386, 397, 399, 400,
D23/406, 411, 413, 499, 382, 388, 391,
D23/392, 393, 394, 395; D13/182

(57) **CLAIM**

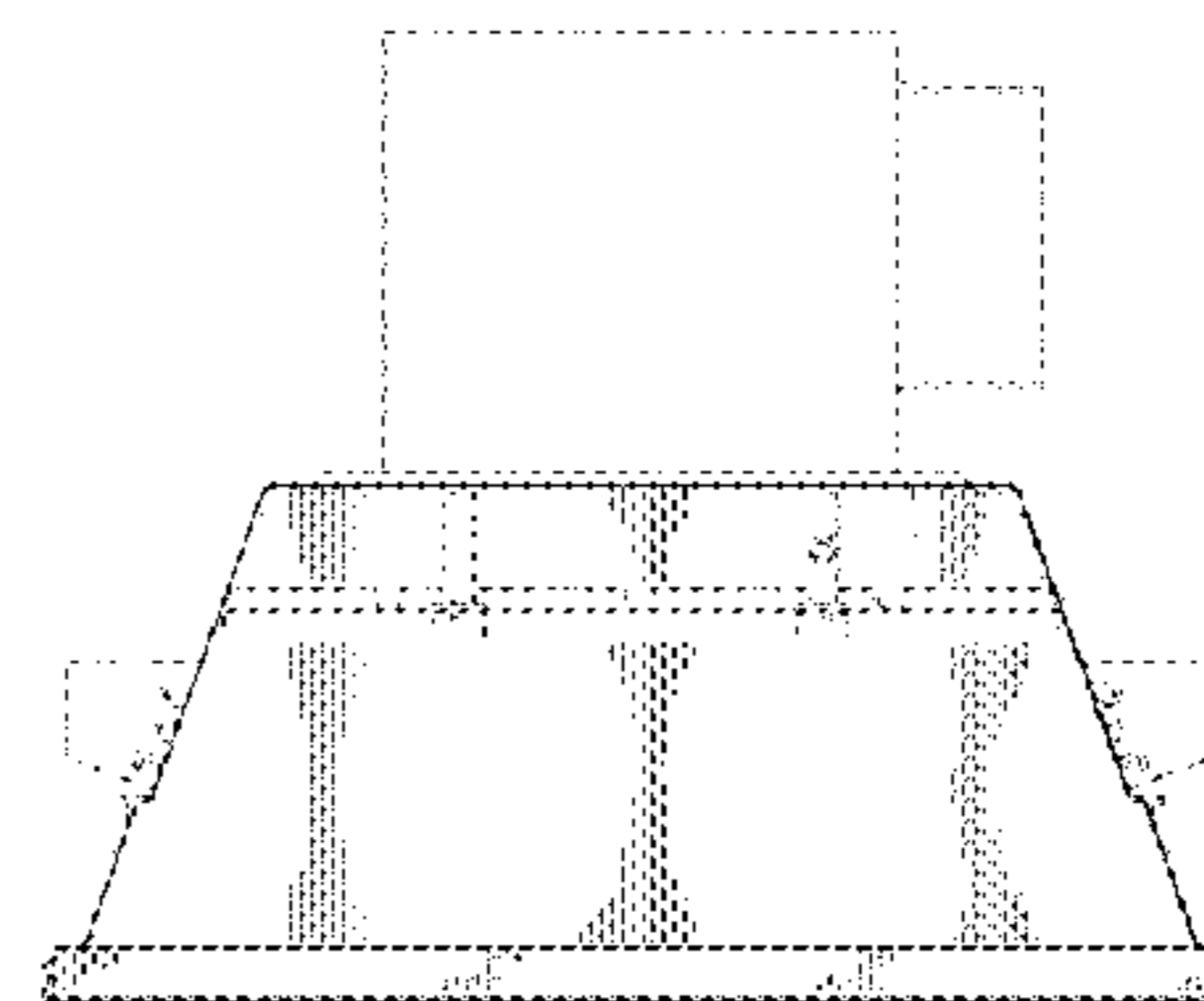
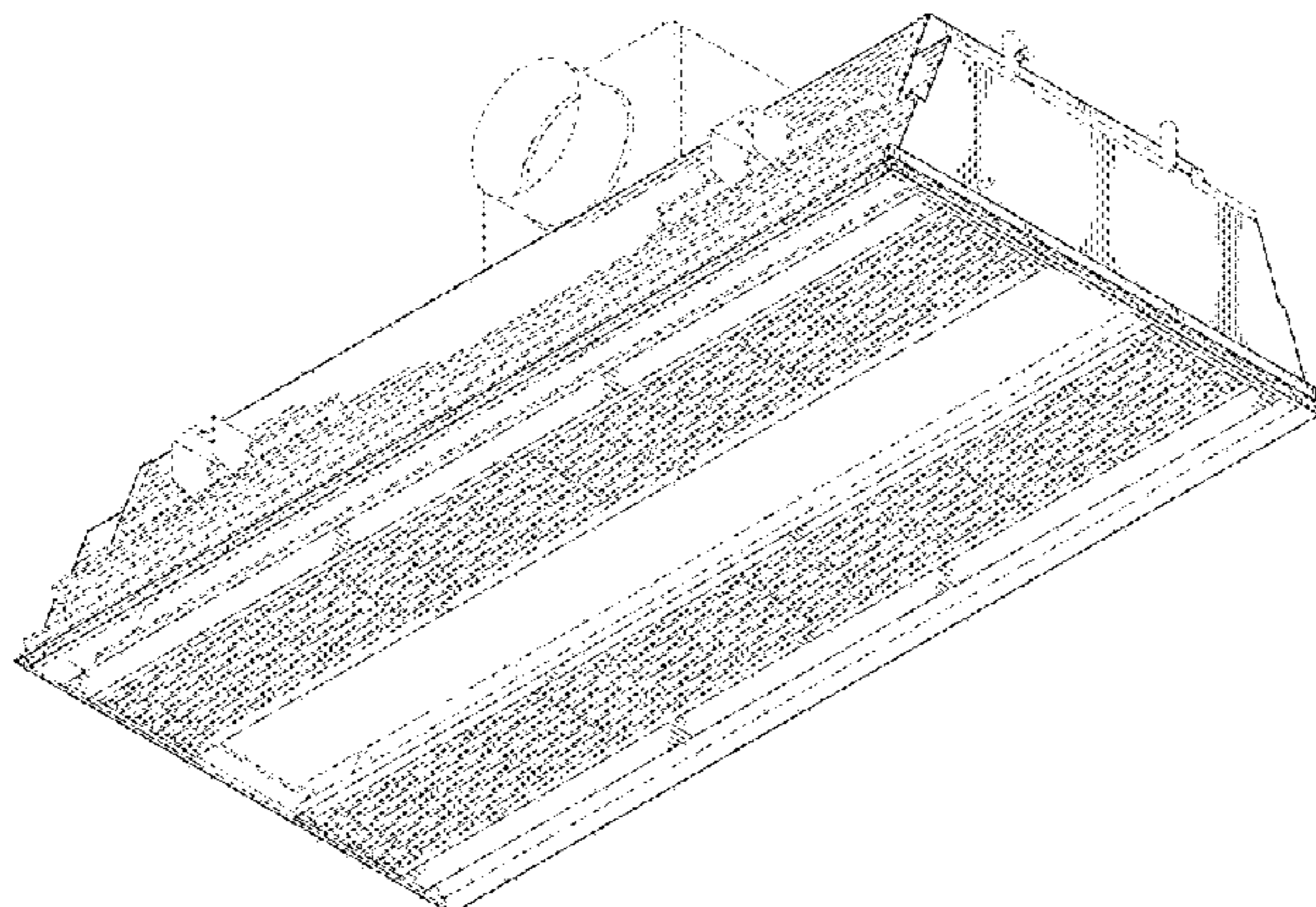
The ornamental design for a recessed chilled beam, as
shown and described.

CPC H01R 13/5213; B60Q 1/04; B60Q 1/26;
G10D 3/006; G10D 13/023; G10D
13/027; B25B 15/001; G10H 3/143;
G10H 3/181; G10G 5/005; A42B 1/04;
B64C 11/04; B64C 11/16; B64C 11/18;
B64C 11/20; B64C 2001/009; F03D
3/062; F03D 11/04; F04D 19/002; F04D
25/068; F04D 25/088; F24F 1/0018; F24F
13/24; B64D 13/02; B64D 13/00; E04C
2/427; E06B 3/5892; E06B 7/02; B24B

DESCRIPTION

FIG. 1 is a perspective view of a recessed chilled beam;
FIG. 2 is a side view thereof;
FIG. 3 is a side view thereof;
FIG. 4 is an end view thereof;
FIG. 5 is an end view thereof;
FIG. 6 is an overhead view thereof;
FIG. 7 is a bottom view thereof; and,
FIG. 8 is perspective view thereof shown in a position of use
within environment.

(Continued)



The broken lines present in all FIG. views represent portions of the article and environment of the design in a position of use that form no part of the claimed design.

1 Claim, 7 Drawing Sheets

(56)

References Cited

U.S. PATENT DOCUMENTS

5,195,822 A * 3/1993 Takahashi G02F 1/133605
349/62
D383,836 S * 9/1997 Gerth D23/343
6,280,321 B1 * 8/2001 Jones F24F 13/24
454/301
D448,072 S * 9/2001 Wakasa D23/351
6,290,597 B1 * 9/2001 Jones F24F 13/072
454/303
D449,095 S * 10/2001 Yanagida D23/351
6,299,327 B1 * 10/2001 Camarota F21V 21/088
362/147
6,527,422 B1 * 3/2003 Hutchison F21S 48/328
362/290
D543,652 S * 5/2007 Hargreaves D26/118
D544,985 S * 6/2007 Hargreaves D26/76
D631,594 S * 1/2011 Irvine D26/74
D637,162 S * 5/2011 Bridgman D13/152
D638,925 S * 5/2011 Charlebois D23/388
D646,012 S * 9/2011 Irvine D26/74
8,038,318 B2 * 10/2011 Plunk F21S 8/02
362/217.11
D658,750 S * 5/2012 Nemes D23/344
D674,964 S * 1/2013 Bailey D26/118
D678,594 S * 3/2013 McCane D26/118
D678,597 S * 3/2013 Lehman D26/120
D678,995 S * 3/2013 Hoshino D23/388
D682,455 S * 5/2013 Apetauer D26/74
D704,817 S * 5/2014 Butler D23/373
D714,928 S * 10/2014 Urano D23/388
D715,416 S * 10/2014 Marino D23/342
D720,488 S * 12/2014 Toyohisa D26/74
D730,509 S * 5/2015 Funnell, II D23/372
D733,863 S * 7/2015 Funnell, II D23/372
D733,864 S * 7/2015 Funnell, II D23/372
D735,391 S * 7/2015 Blessitt D26/74
9,121,580 B1 * 9/2015 Bryant F21V 19/00
D747,529 S * 1/2016 Yoon D26/74
D748,319 S * 1/2016 Johnson D26/118
D748,320 S * 1/2016 Johnson D26/118
9,233,747 B2 * 1/2016 Perkins B32B 3/266
D748,850 S * 2/2016 Johnson D26/118
D750,831 S * 3/2016 Clements D26/120
D751,245 S * 3/2016 Stanley D26/118
D751,247 S * 3/2016 Reynolds D26/118
D772,386 S * 11/2016 Kim D23/351
D777,896 S * 1/2017 Rizzi D23/354

2009/0241442 A1 * 10/2009 MacLean A01K 1/0103
52/220.3
2010/0087130 A1 * 4/2010 Nitsche B60H 1/00371
454/76
2012/0088445 A1 * 4/2012 Hirsch F24F 13/10
454/358
2013/0186611 A1 * 7/2013 Schneider F24F 11/0008
165/226
2014/0245706 A1 * 9/2014 McLaurin B01D 46/0005
55/385.2
2016/0209076 A1 * 7/2016 Hirsch F24F 13/078

OTHER PUBLICATIONS

Active chilled beam DISA-601, image post date Dec. 28, 2016, site visited Feb. 25, 2017, (online), <<https://www.tineye.com/search/233de27b782d011c8b85d5031e4f7902ca308338/>>.*
Wega II—Nova II with PI control, image post date 2015, site visited Feb. 25, 2017, (online), <<http://www.flaktwoods.com/about-us/media/news/wega-ii—nova-ii-with-pi-control-the-first-chilled-beam-for-true-demand-controlled-ventilation/>>.*
Chilled beam Flexicool IQID, image post date 2015, site visited Feb. 25, 2017, (online), <<http://www.flaktwoods.com/products/air-diffusion-/chilled-beams/ceiling-flush-active-/iqid/>>.*
Dadanco active chilled beam, image post date Sep. 4, 2014, site visited Feb. 25, 2017, (online), <<http://web.archive.org/web/20140904151520/http://dadanco.com/active-chilled-beams>>.*
An Examiner's Report issued on Dec. 15, 2016 by Canadian Intellectual Property Office for the corresponding Canadian application No. 164911.
An Examiner's Report issued on Dec. 15, 2016 by Canadian Intellectual Property Office for the corresponding Canadian application No. 171914.
The Reply in response to the Examiner's Report issued on Dec. 15, 2016, as filed with the Canadian Intellectual Property Office on Dec. 28, 2016 for the corresponding Canadian application No. 164911.
The Reply in response to the Examiner's Report issued on Dec. 15, 2016, as filed with the Canadian Intellectual Property Office on Feb. 8, 2017 for the corresponding Canadian application No. 171914.
The Examiner's Report issued on Jan. 26, 2017 by the Canadian Intellectual Property Office for the corresponding Canadian application No. 164911.
An Examiner's Report issued on Feb. 5, 2016 by Canadian Intellectual Property Office for the corresponding Canadian application No. 164911.
The Reply in response to the Examiner's Report issued on Feb. 5, 2016, as filed with the Canadian Intellectual Property Office on Dec. 5, 2016 for the corresponding Canadian application No. 164911.
The Reply in response to the Office Action of Nov. 15, 2016, as filed with the Canadian Intellectual Property Office on May 15, 2017 for the corresponding Canadian application No. 2,917,678.
The Reply in response to the Office Action of Nov. 15, 2016, as filed with the Canadian Intellectual Property Office on May 15, 2017 for the corresponding Canadian application No. 2,917,679.

* cited by examiner

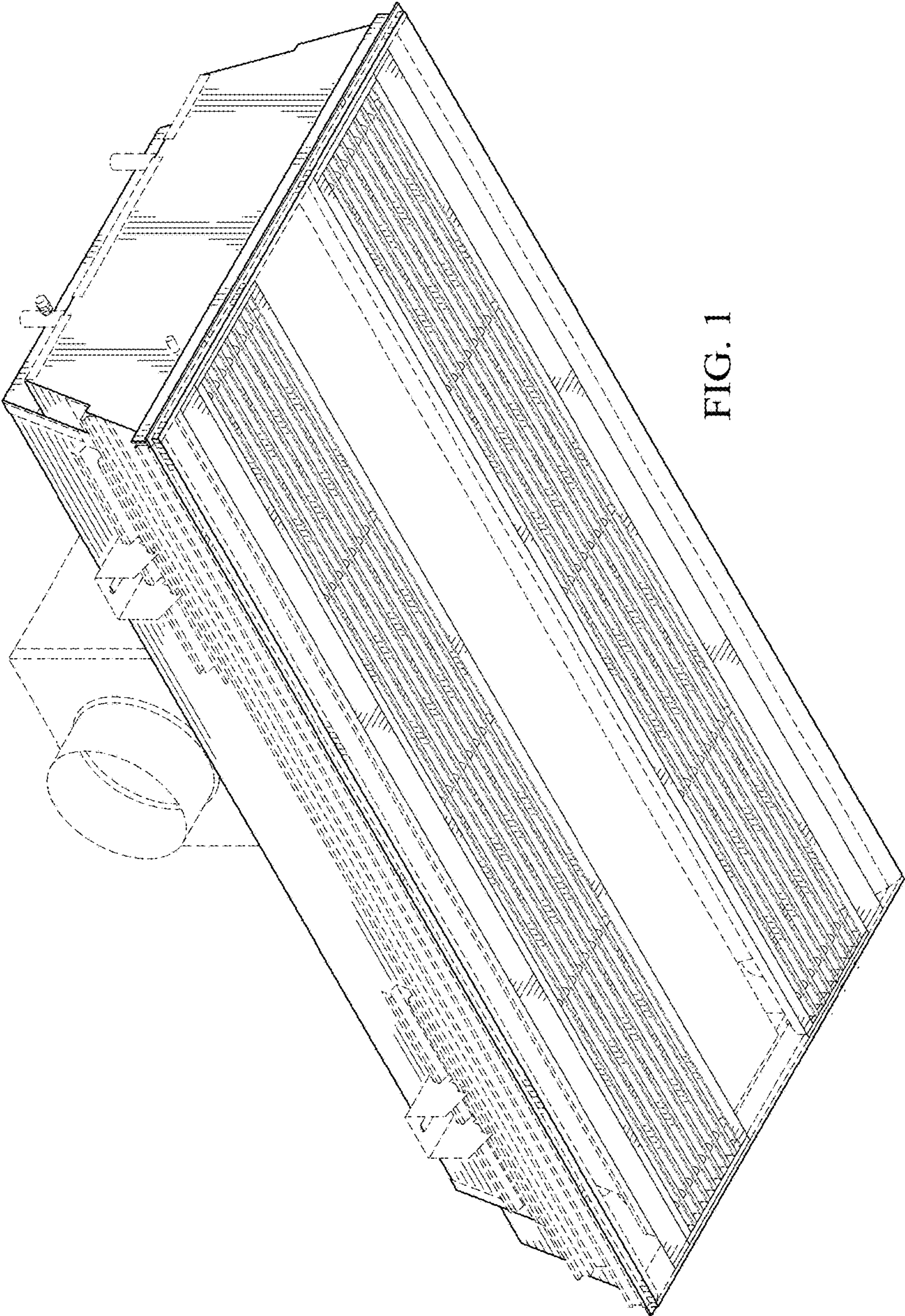


FIG. 1

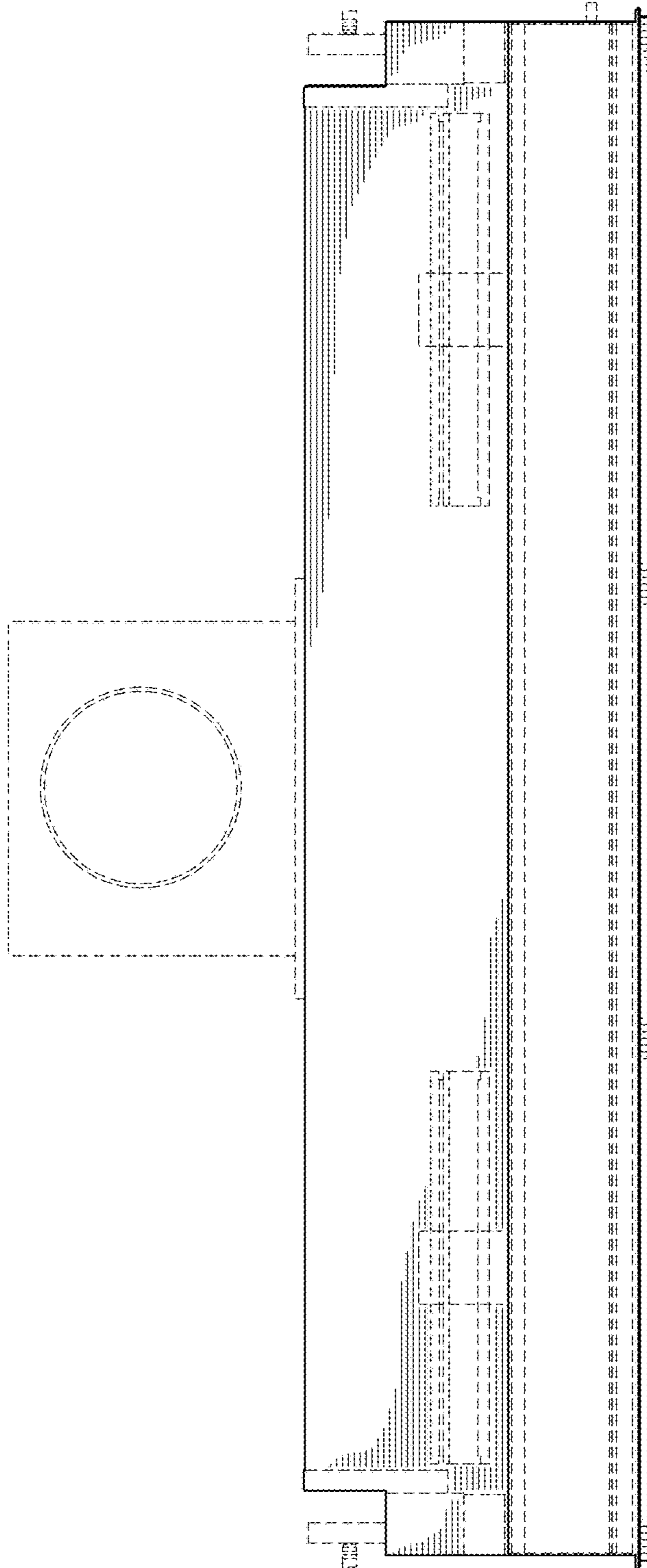


FIG. 2

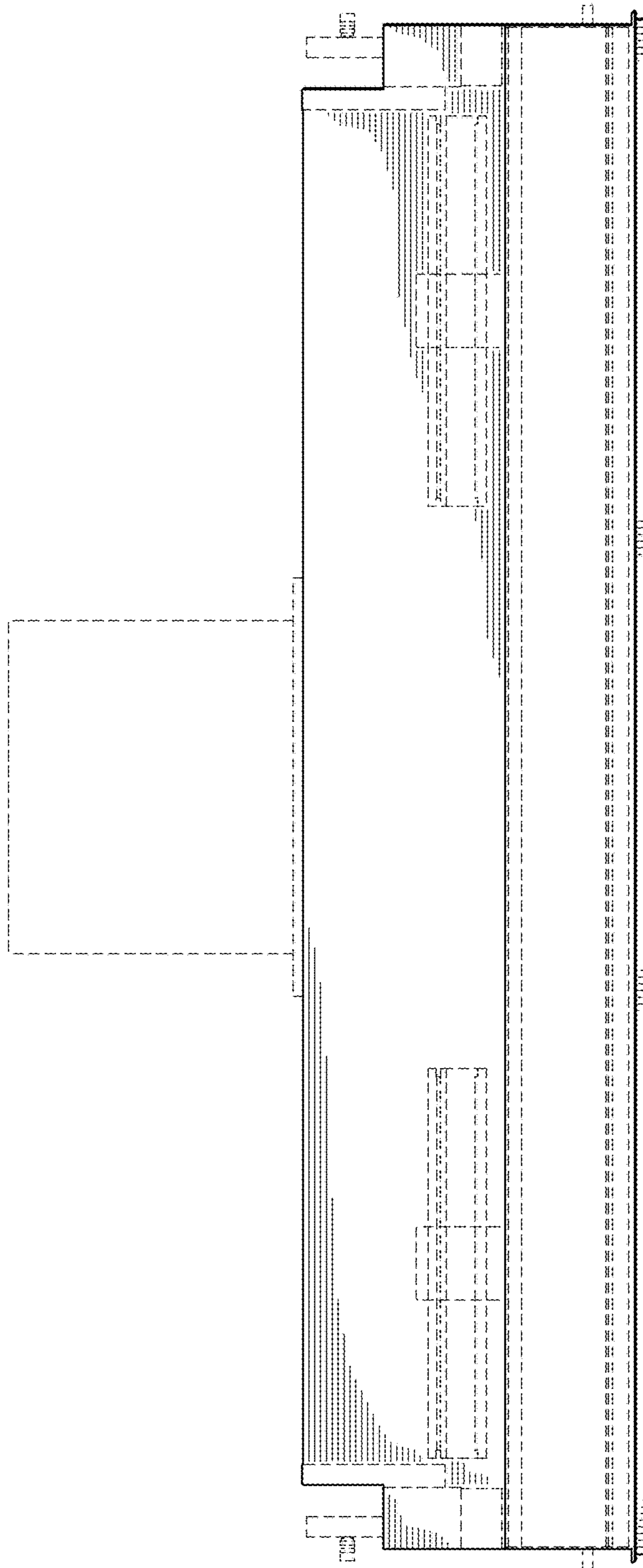


FIG. 3

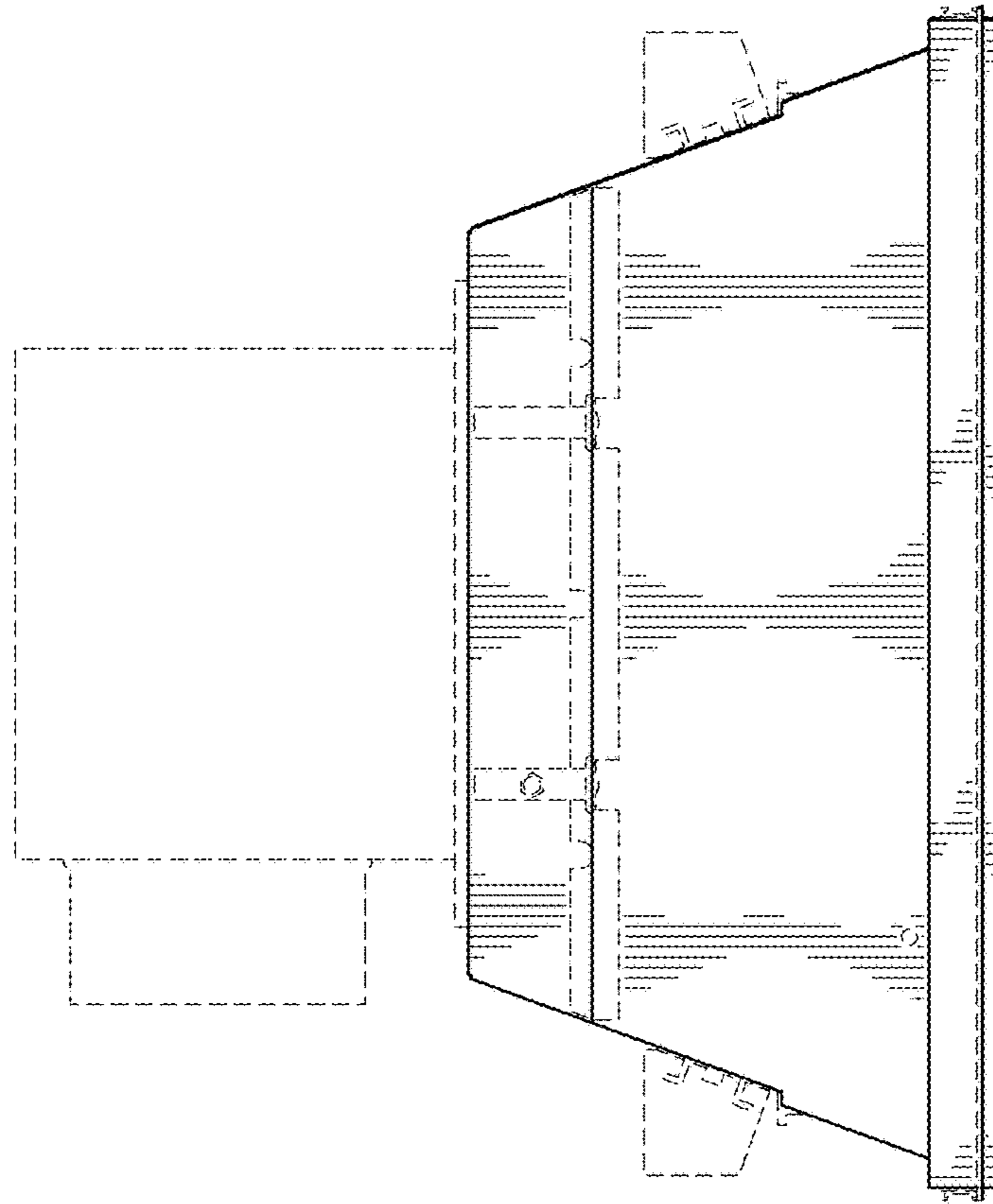


FIG. 5

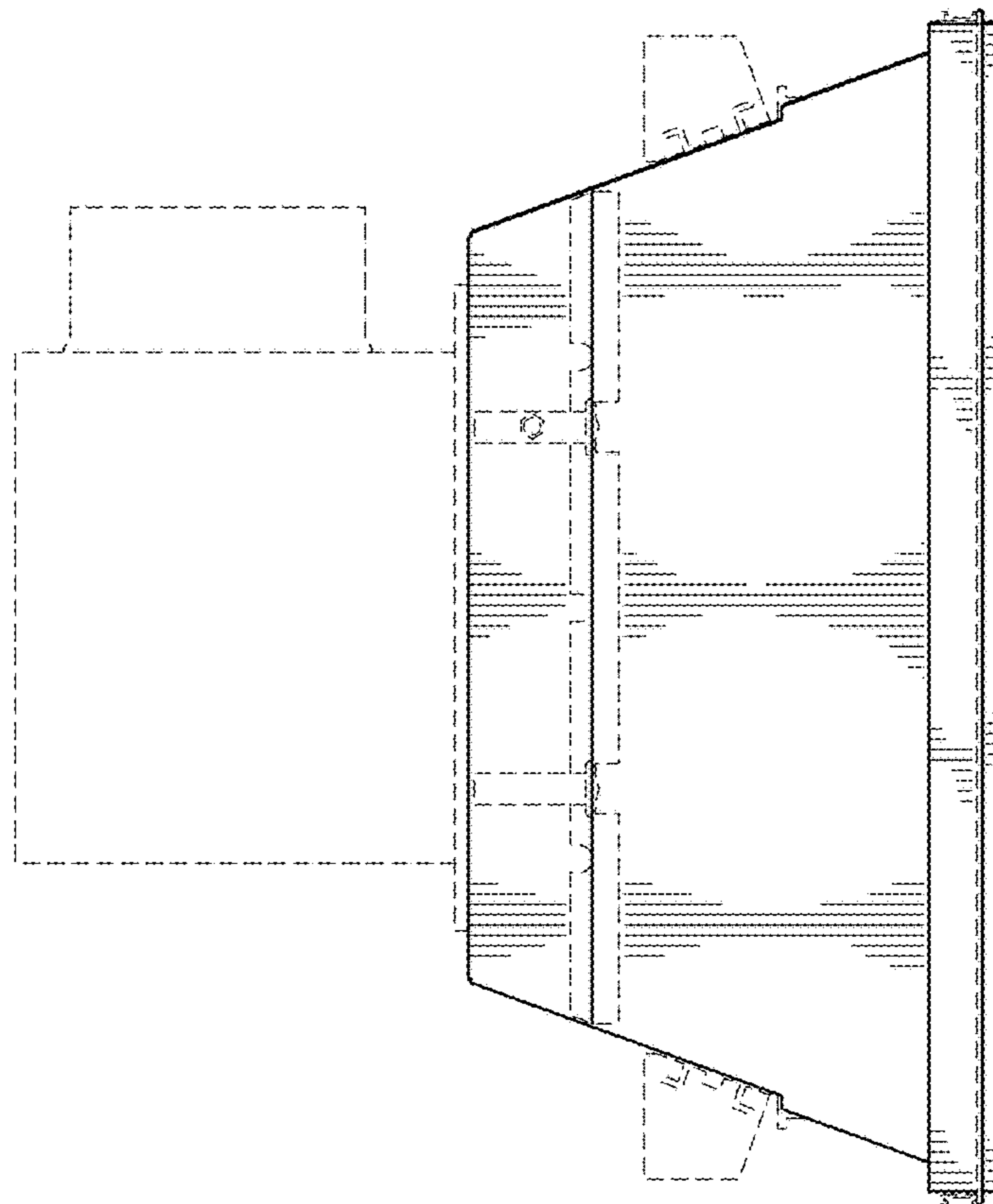


FIG. 4

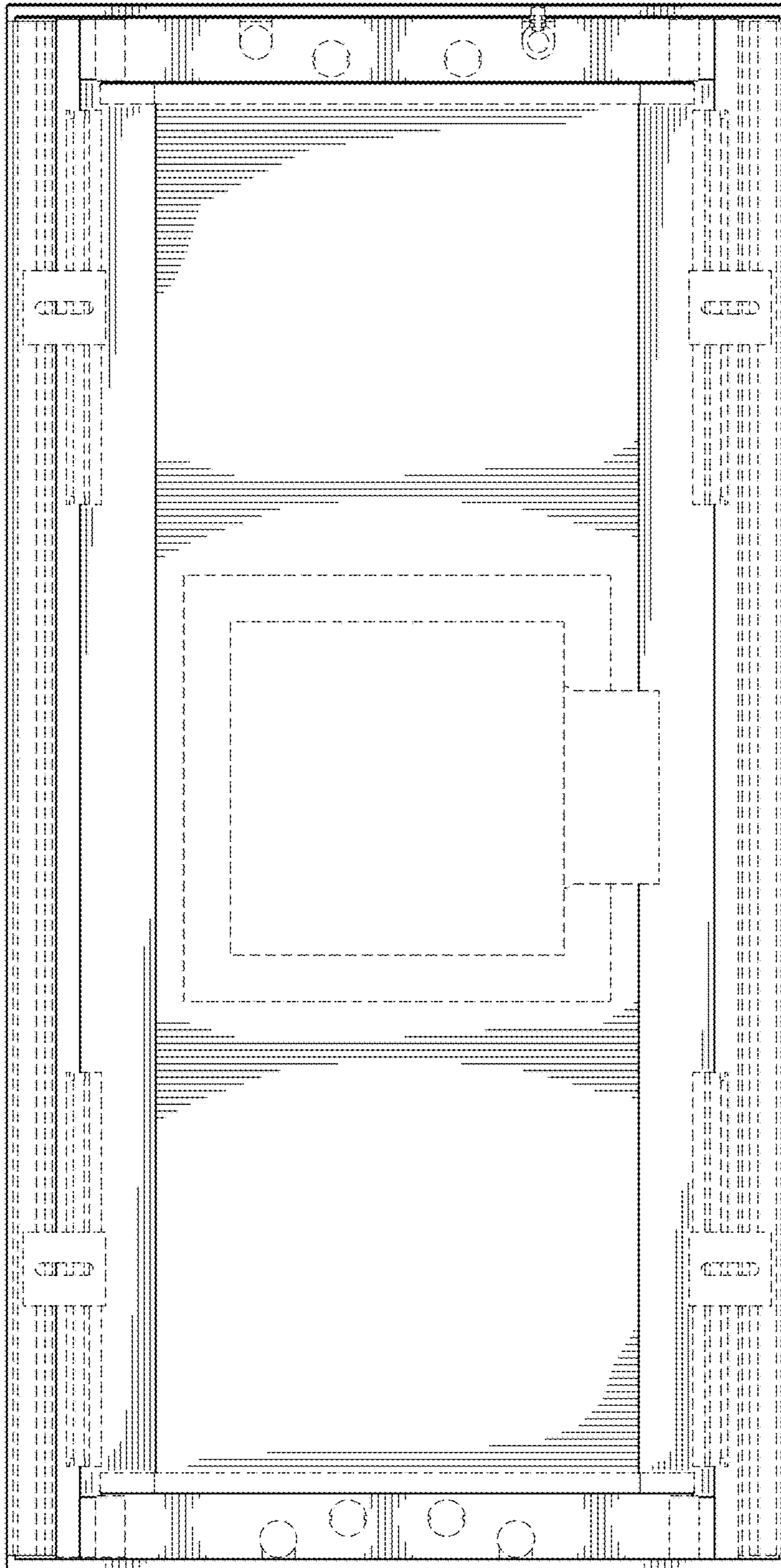


FIG. 6

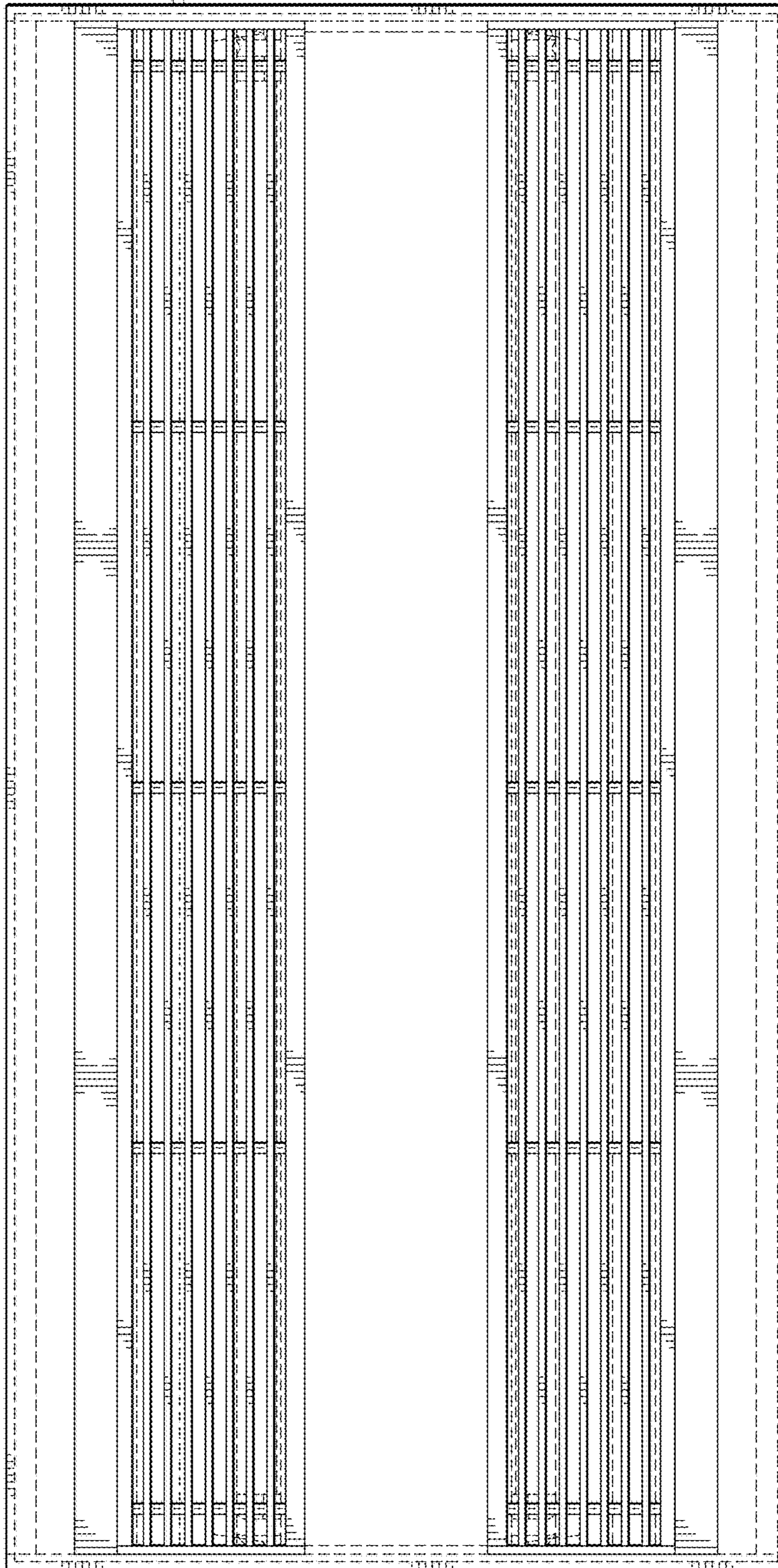


FIG. 7

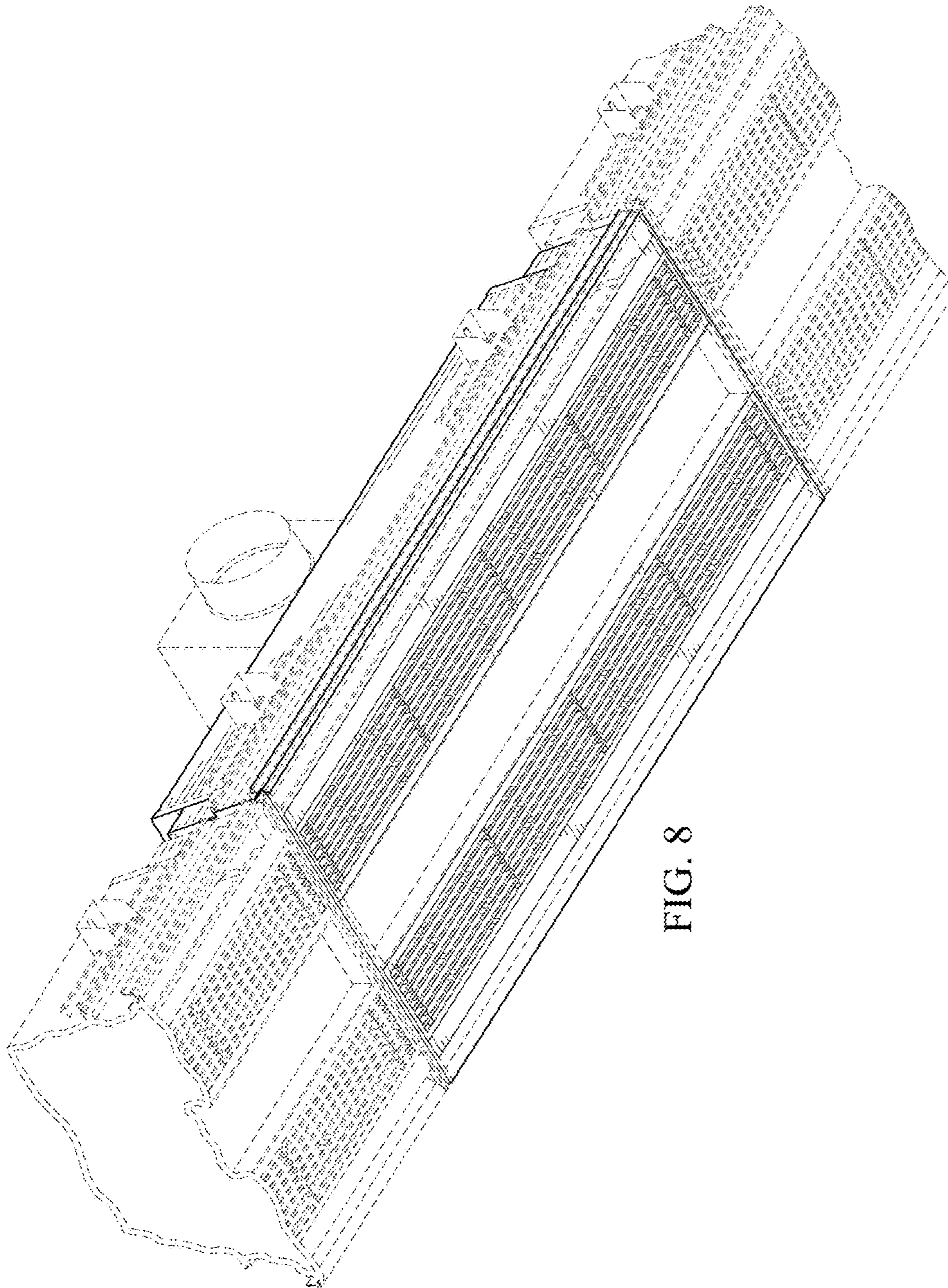


FIG. 8