



US00D807494S

(12) **United States Design Patent** (10) **Patent No.:** **US D807,494 S**
Kim et al. (45) **Date of Patent:** **** Jan. 9, 2018**

(54) **COVER FOR AIR PURIFIER WITH HUMIDIFIER**

D460,169 S * 7/2002 Anderson D23/365
D471,971 S * 3/2003 Hurlstone D23/386
D517,673 S * 3/2006 Yamamoto D23/366
D585,129 S * 1/2009 Huang D23/366

(71) Applicant: **LG ELECTRONICS INC.**, Seoul (KR)

OTHER PUBLICATIONS

(72) Inventors: **Joosang Kim**, Seoul (KR); **Sungkyong Han**, Seoul (KR); **Yoojeung Han**, Seoul (KR); **Shwan Bae**, Seoul (KR)

LG cover for air purifier reference found online Jun. 23, 2017]—
[http://www.lg.com/us/air-care-solutions/lg-AM501YWM1?&cmpid=sem_\(SG\)-Signature-AON-GGL-Srch-Brand-Air-Purifier-Only-EXT_lg-signature-air-purifier&gclid=CKm24smh1NQCFQdNNwodNsYJHg&gclsrc=ds.*](http://www.lg.com/us/air-care-solutions/lg-AM501YWM1?&cmpid=sem_(SG)-Signature-AON-GGL-Srch-Brand-Air-Purifier-Only-EXT_lg-signature-air-purifier&gclid=CKm24smh1NQCFQdNNwodNsYJHg&gclsrc=ds.*)

(73) Assignee: **LG ELECTRONICS INC.**, Seoul (KR)

(**) Term: **15 Years**

* cited by examiner

(21) Appl. No.: **29/577,033**

Primary Examiner — Robert M Spear
Assistant Examiner — John Voytek

(22) Filed: **Sep. 8, 2016**

(74) *Attorney, Agent, or Firm* — Dentons US LLP

(30) **Foreign Application Priority Data**

Mar. 24, 2016 (KR) 30-2016-0013865

(51) **LOC (11) Cl.** **23-04**

(52) **U.S. Cl.**
USPC **D23/390**

(58) **Field of Classification Search**
USPC D23/300, 314, 325, 332–336, 342, 351,
D23/352, 354–369, 370, 386–388, 390,
D23/391; D14/168
CPC A62B 21/00; B01D 46/0002; B01D 46/10;
F02M 35/04; F24F 13/20
See application file for complete search history.

(56) **References Cited**

U.S. PATENT DOCUMENTS

D33,233 S * 9/1900 Downe D23/386
D295,676 S * 5/1988 Steiner D23/366
D314,616 S * 2/1991 Pepper D23/365
D325,076 S * 3/1992 Handler D23/366
D334,975 S * 4/1993 Bunce D23/366

(57) **CLAIM**

We claim the ornamental design for a cover for air purifier with humidifier, as shown and described.

DESCRIPTION

FIG. 1 is a perspective view of a cover for air purifier with humidifier showing the new design;
FIG. 2 is a front elevation view thereof;
FIG. 3 is a rear elevation view thereof;
FIG. 4 is a left-side elevation view thereof;
FIG. 5 is a right-side elevation view thereof;
FIG. 6 is a top plan view thereof;
FIG. 7 is a bottom plan view thereof
FIG. 8 is a perspective view thereof, in a use condition; and,
FIG. 9 is a top plan view thereof, in a use condition.
The broken lines represent unclaimed portions of the cover for air purifier with humidifier and form no part of the claimed design.

1 Claim, 7 Drawing Sheets

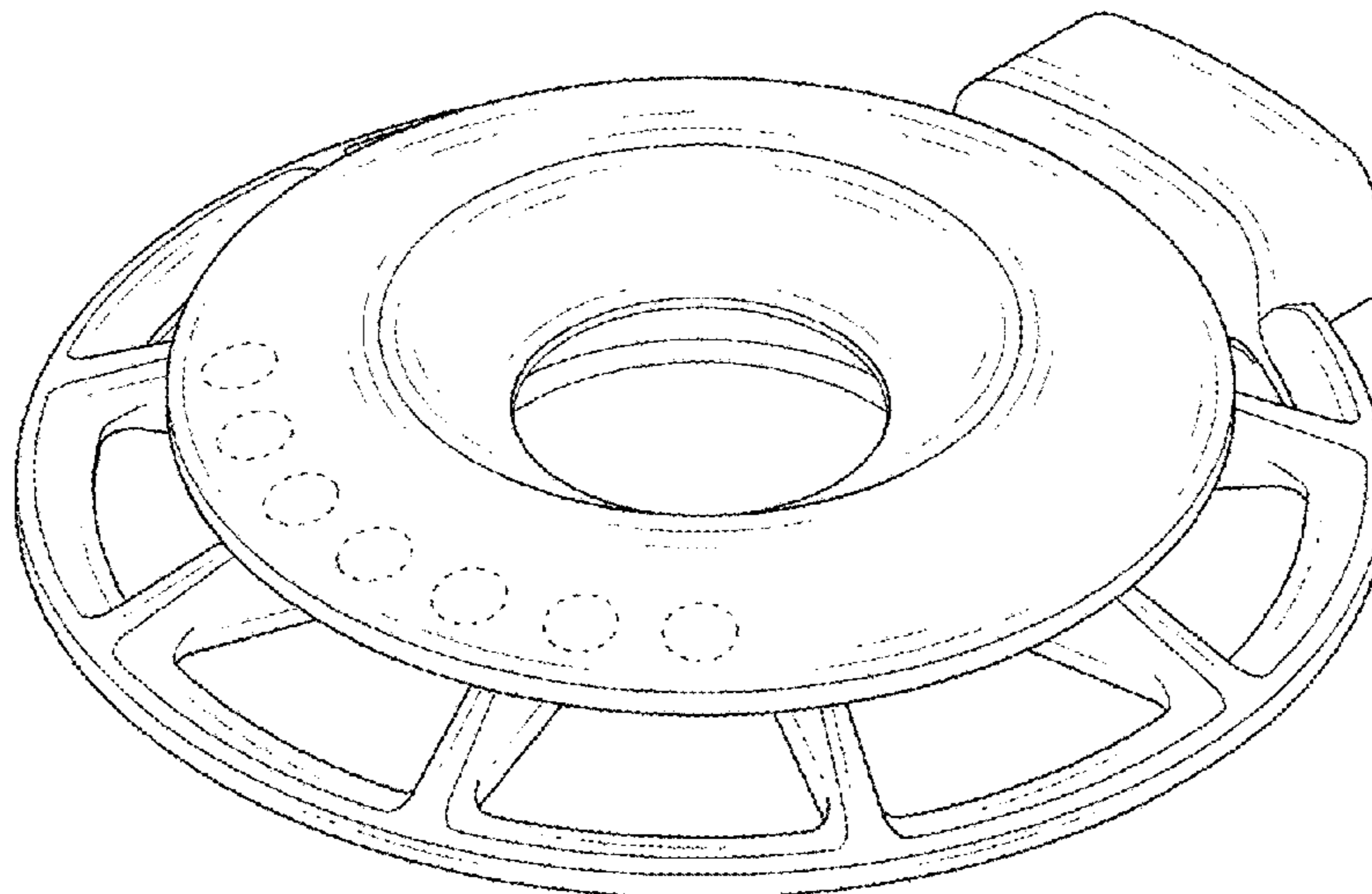


FIG. 1

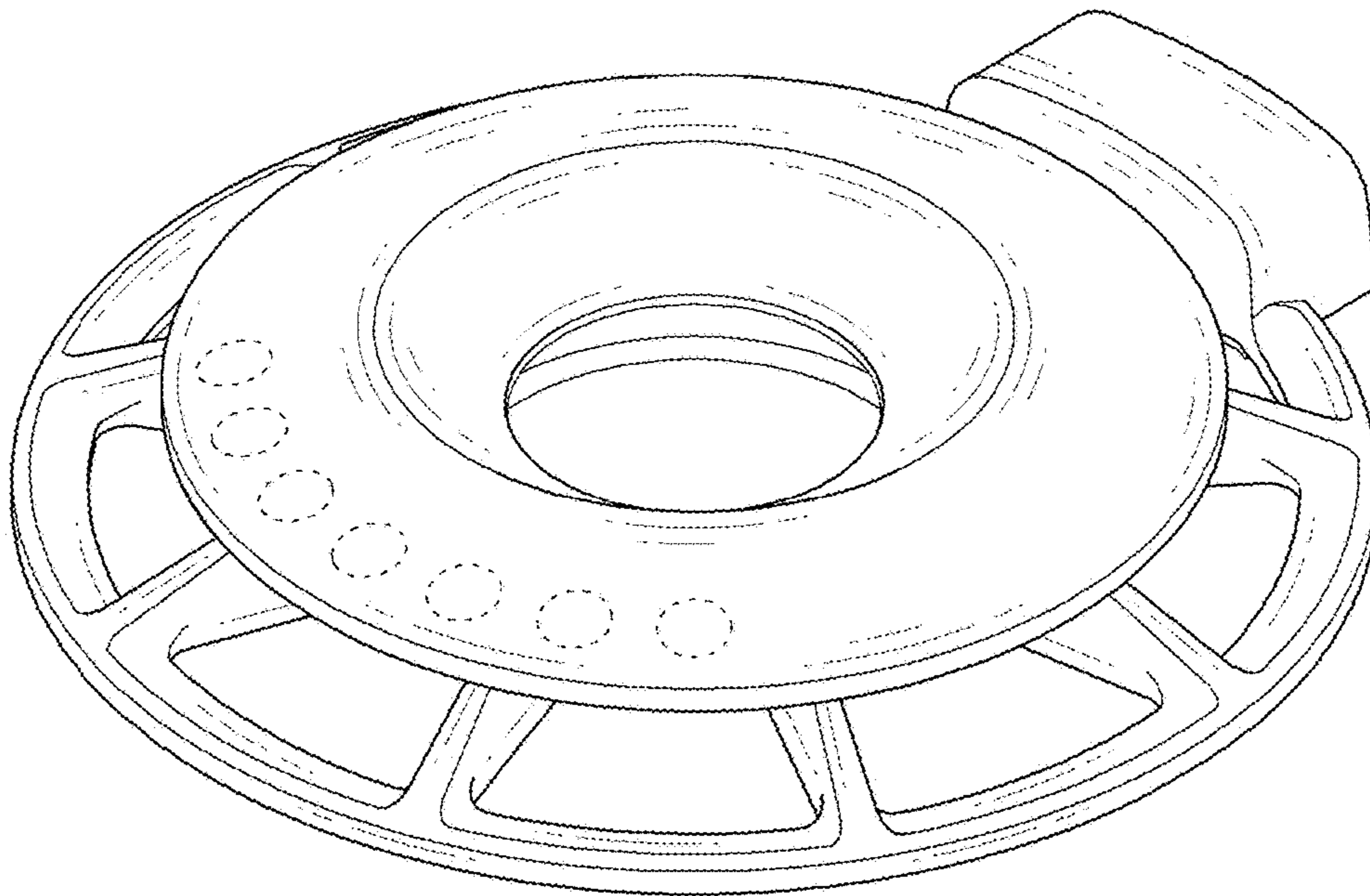


FIG. 2

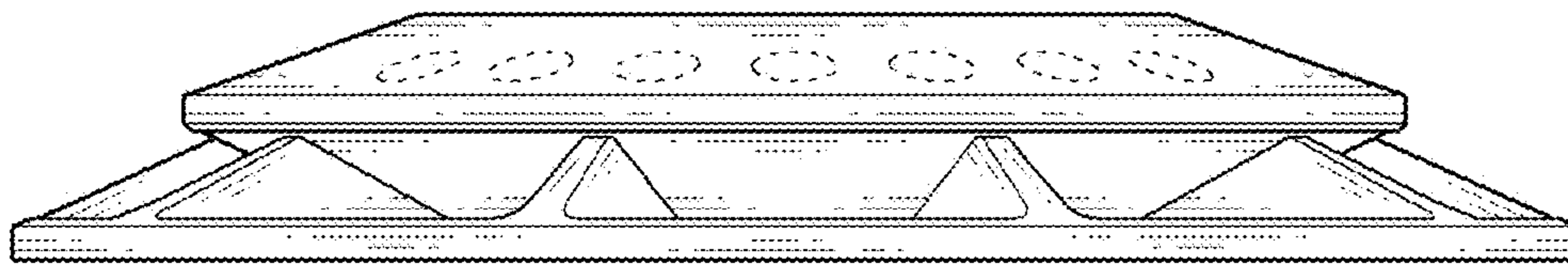


FIG. 3

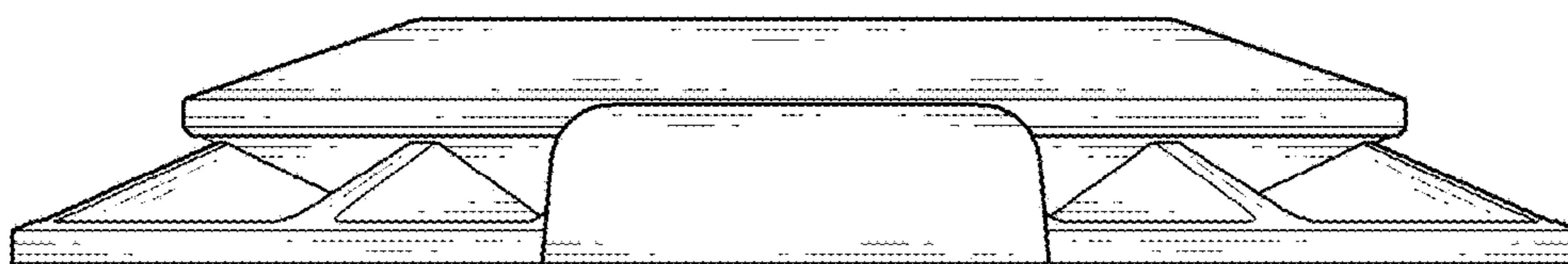


FIG. 4



FIG. 5



FIG. 6

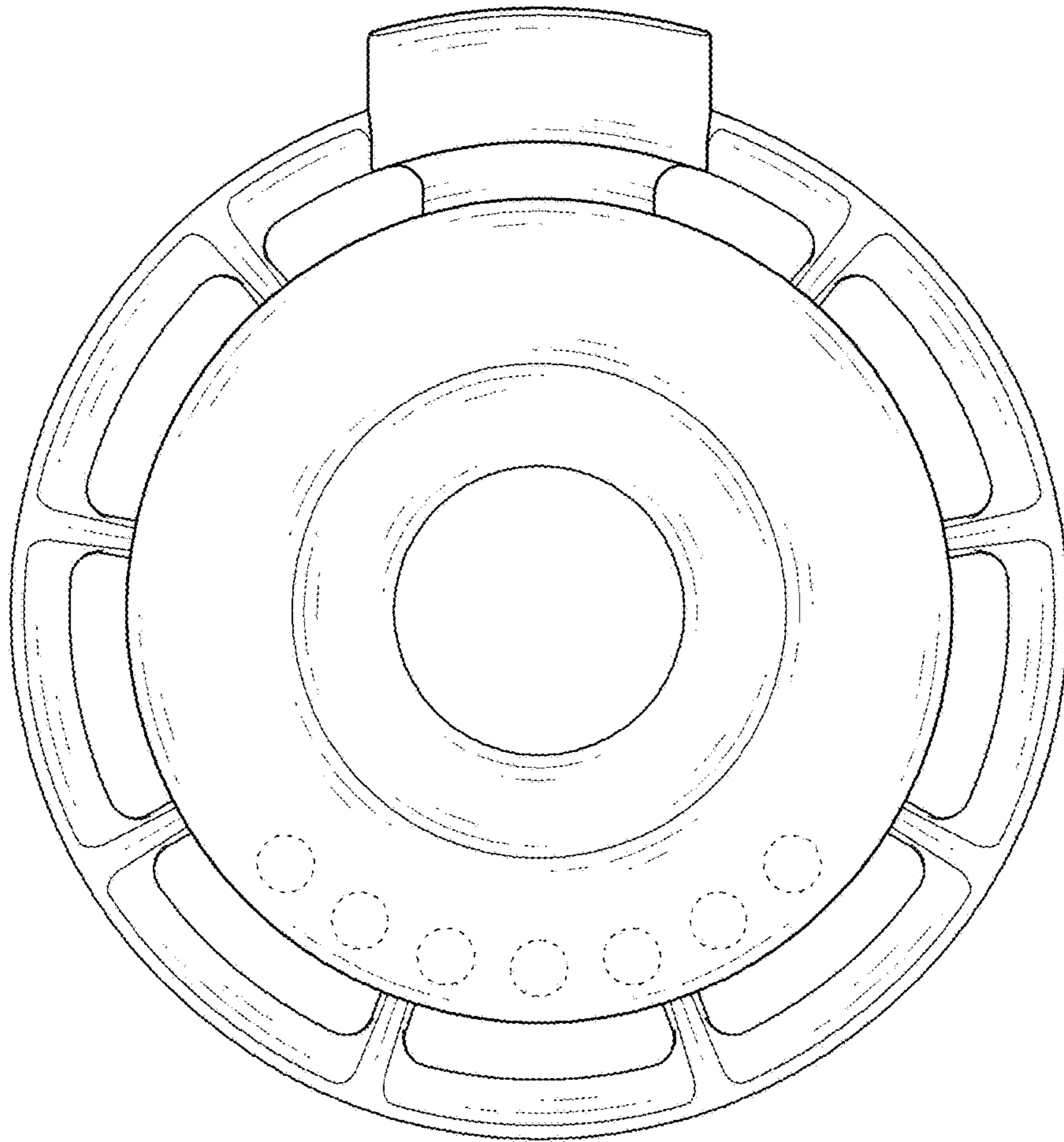


FIG. 7

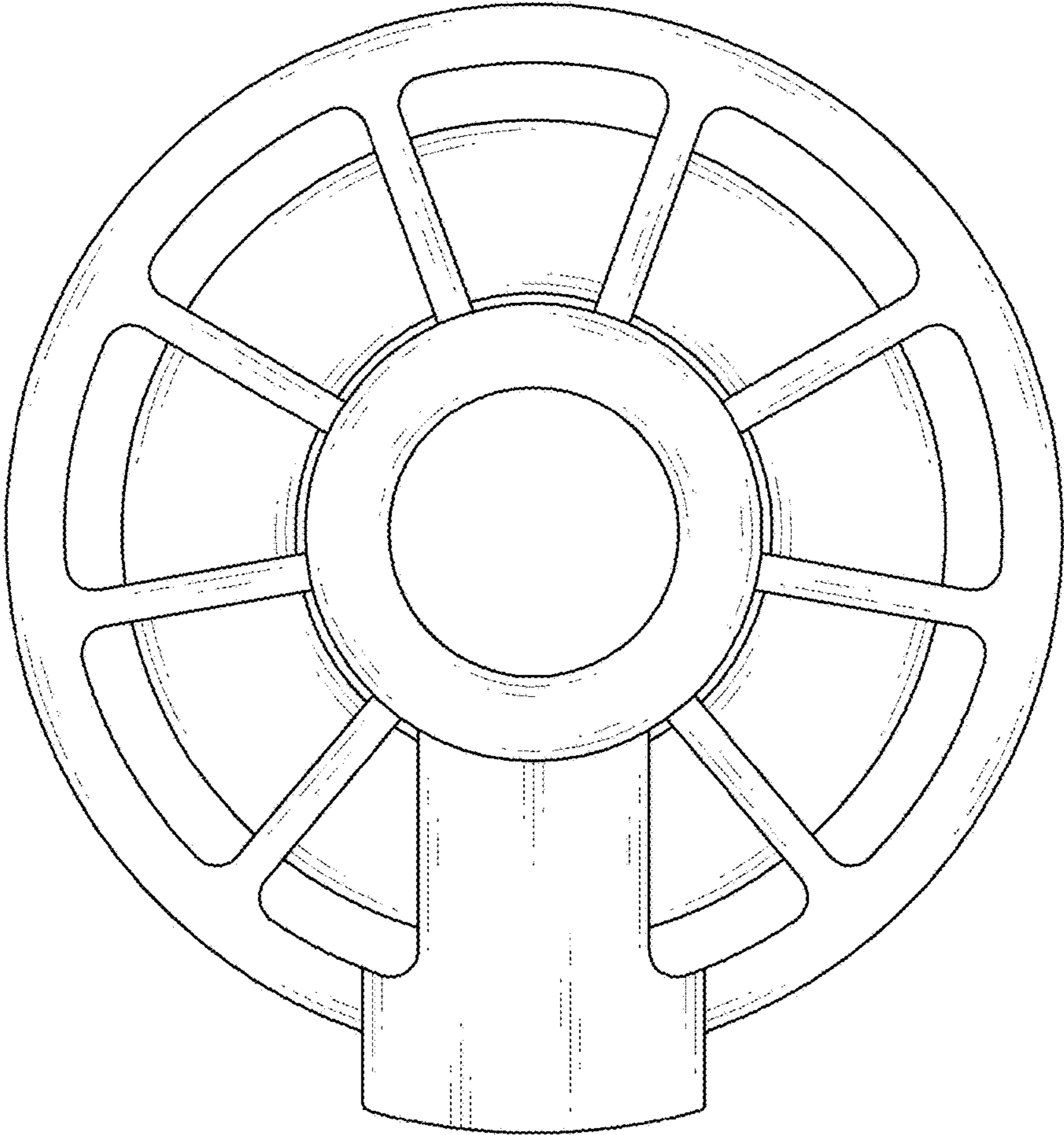


FIG. 8

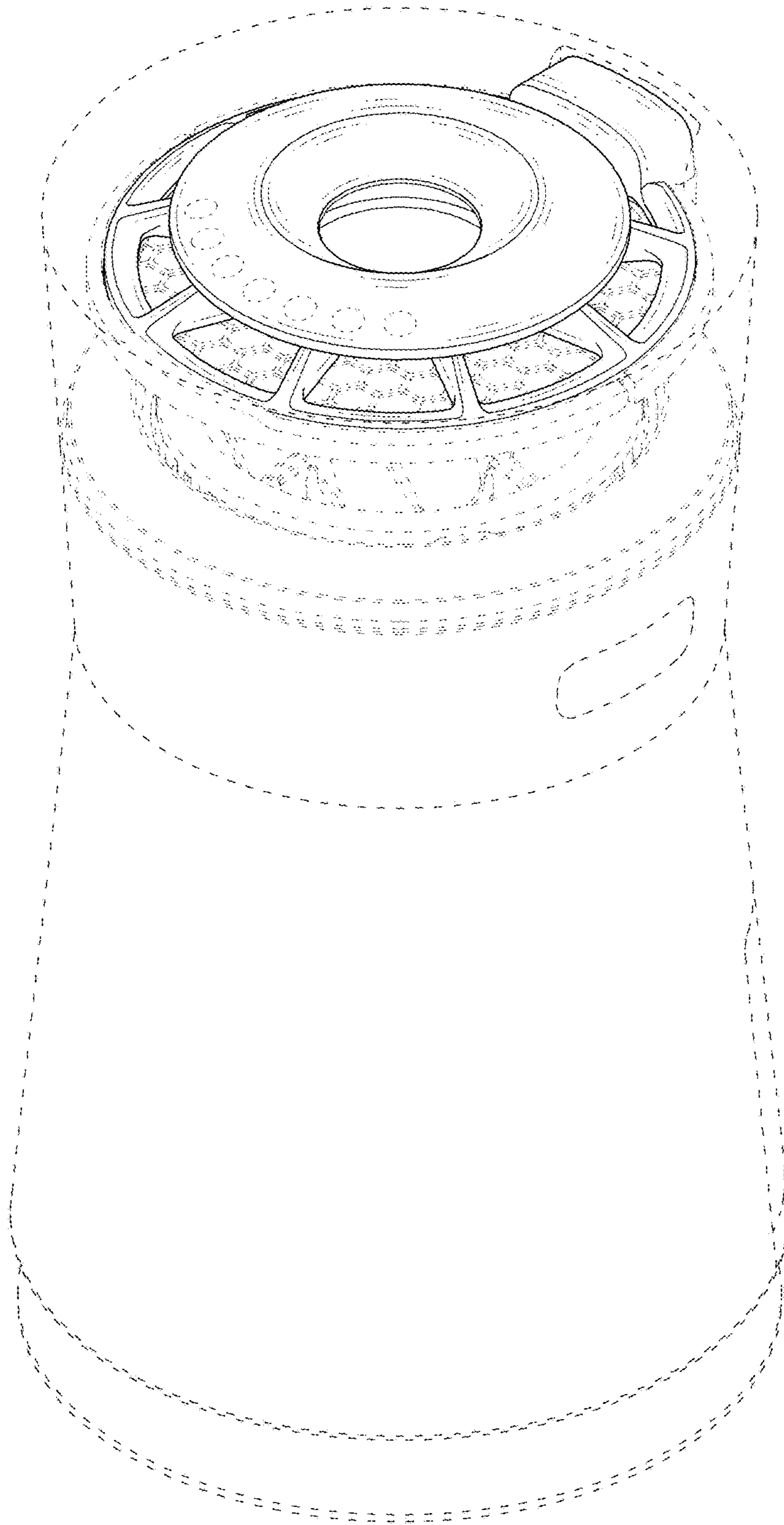


FIG. 9

