



US00D807493S

(12) **United States Design Patent**
Hidalgo

(10) **Patent No.:** **US D807,493 S**
(45) **Date of Patent:** **** Jan. 9, 2018**

(54) **CEILING FAN**

(71) Applicant: **Minka Lighting, Inc.**, Corona, CA
(US)

(72) Inventor: **Rolando Hidalgo**, Yorba Linda, CA
(US)

(73) Assignee: **Minka Lighting, Inc.**, Corona, CA
(US)

(**) Term: **15 Years**

(21) Appl. No.: **29/586,733**

(22) Filed: **Dec. 6, 2016**

Related U.S. Application Data

(63) Continuation-in-part of application No. 29/552,030,
filed on Jan. 19, 2016, now abandoned.

(51) **LOC (11) Cl.** **23-04**

(52) **U.S. Cl.**
USPC **D23/377**

(58) **Field of Classification Search**
USPC D23/370–385, 411–414; D26/59,
D26/120–121, 124, 85, 88, 105, 118
CPC F04D 25/088; F21V 33/0096
See application file for complete search history.

(56) **References Cited**

U.S. PATENT DOCUMENTS

D420,126 S *	2/2000	Zetsche	D23/413
D480,503 S *	10/2003	Herst	D26/121
D510,763 S *	10/2005	Da Costa	D23/377
D530,414 S *	10/2006	Hoshino	D23/377
D536,083 S *	1/2007	Gajewski	D23/377
D614,757 S *	4/2010	Noble	D23/377
D619,238 S *	7/2010	Hidalgo	D23/377
D721,429 S *	1/2015	Busta	D23/377
D721,430 S *	1/2015	Schulzman	D23/377
D741,469 S *	10/2015	Pan	D23/377
D741,988 S *	10/2015	Pan	D23/377

D742,059 S *	10/2015	Gettings	D26/120
D750,213 S *	2/2016	Schulzman	D23/385
2012/0177496 A1 *	7/2012	Gajewski	F04D 25/088 416/204 R

(Continued)

OTHER PUBLICATIONS

Minka-Aire 60In Force Led Ceiling Fan, first available Aug. 15, 2016, amazon.com, site visited Mar. 1, 2017, Available from Internet, <https://www.amazon.com/60In-Force-Led-Ceiling-Fan/dp/B01KG9U0A4/ref=sr_1_2?ie=UTF8&qid=1488381196&sr=8-2&keywords=minka+aire+force+22> .*

Primary Examiner — Cathron C Brooks

Assistant Examiner — Sharon S Oum

(74) *Attorney, Agent, or Firm* — Baker & McKenzie LLP

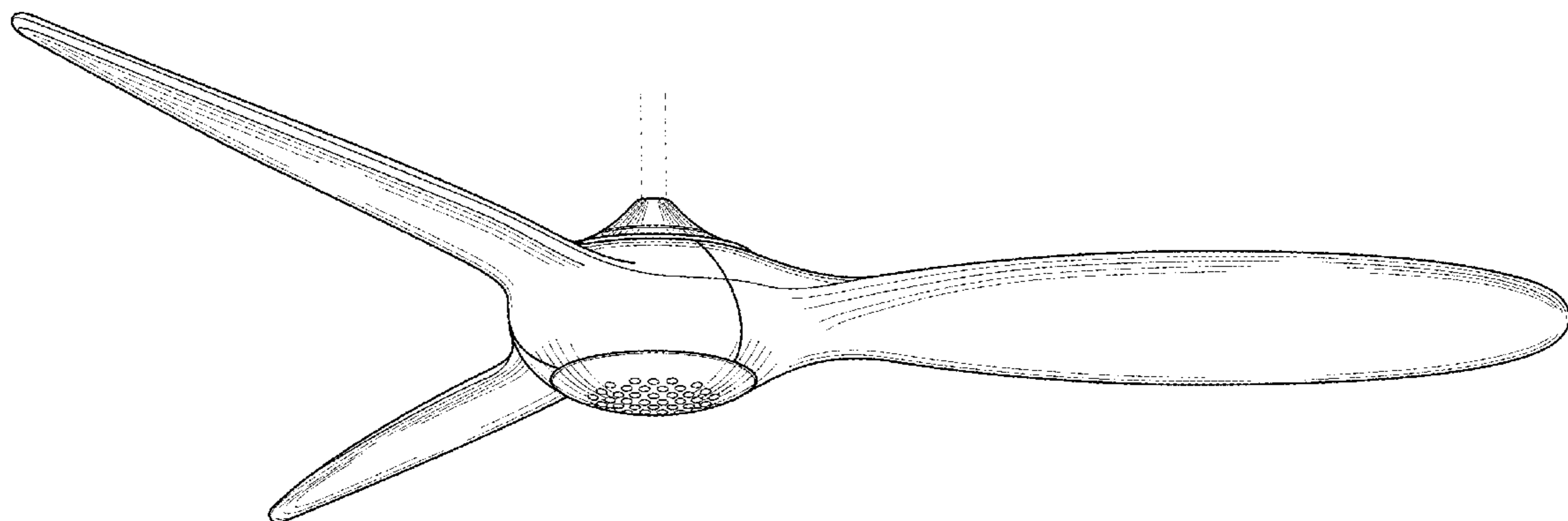
(57) **CLAIM**

The ornamental design for a ceiling fan, as shown and described.

DESCRIPTION

FIG. 1 is a perspective view of a ceiling fan in accordance with my design;
FIG. 2 is a top plan view of the ceiling fan in accordance with my design;
FIG. 3 is a bottom plan view of the ceiling fan in accordance with my design;
FIG. 4 is a front elevation view of the ceiling fan in accordance with my design;
FIG. 5 is a rear elevation view of the ceiling fan in accordance with my design;
FIG. 6 is a left side elevation view of the ceiling fan in accordance with my design; and,
FIG. 7 is a right side elevation view of the ceiling fan in accordance with my design.
The broken-line disclosure of elements is understood to represent portions of the article in which the design is embodied, but which form no part of the claimed design.

1 Claim, 5 Drawing Sheets



(56)

References Cited

U.S. PATENT DOCUMENTS

2016/0018119 A1* 1/2016 Desmet F04D 25/088
165/237

* cited by examiner

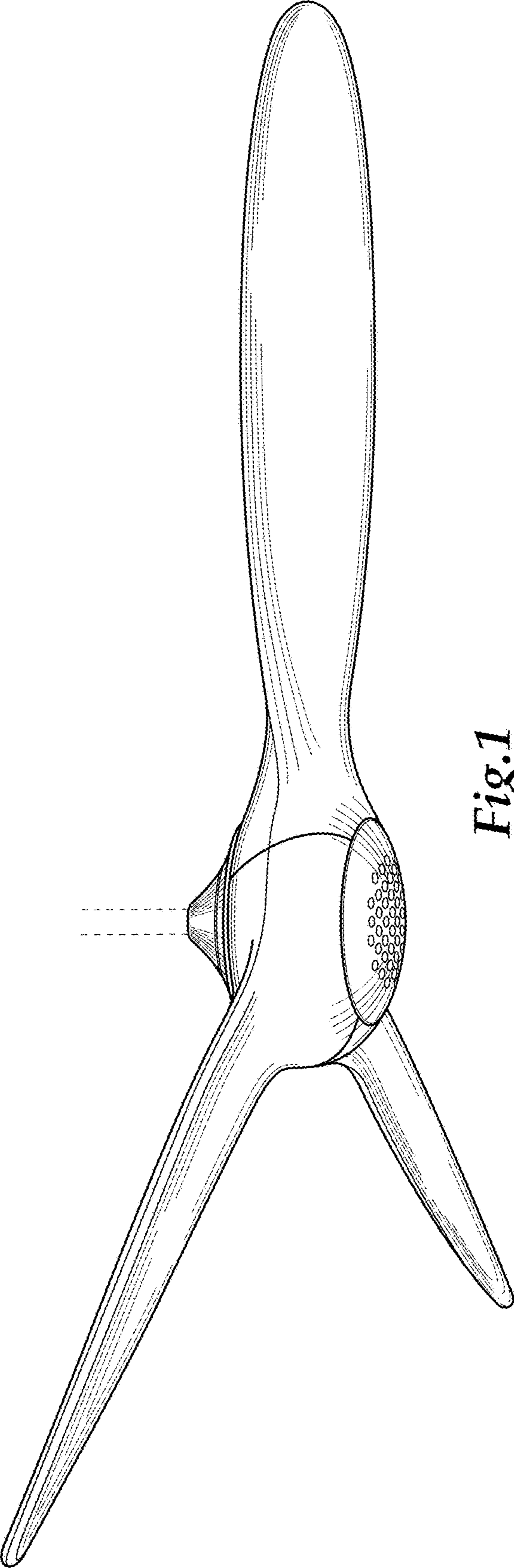
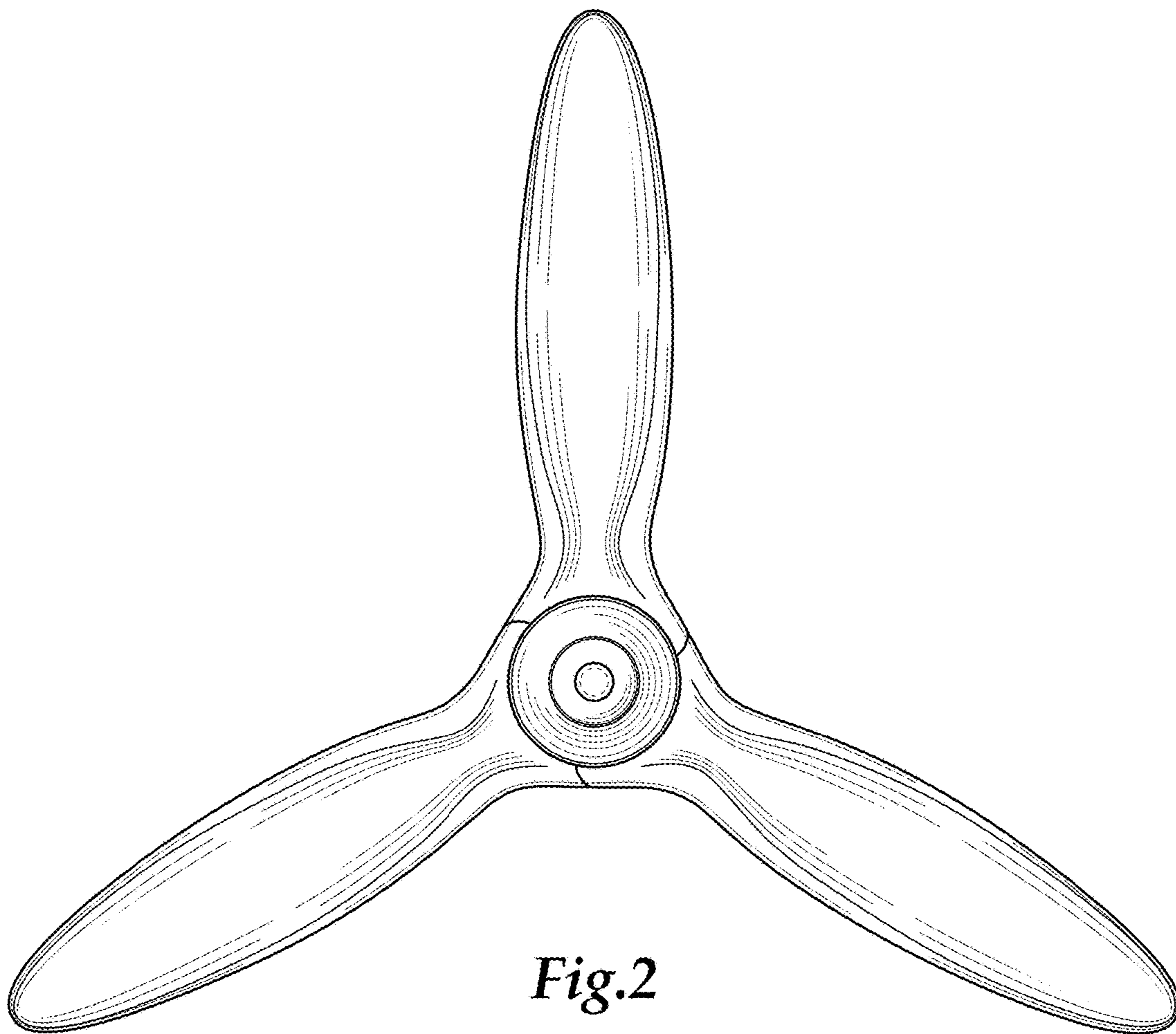
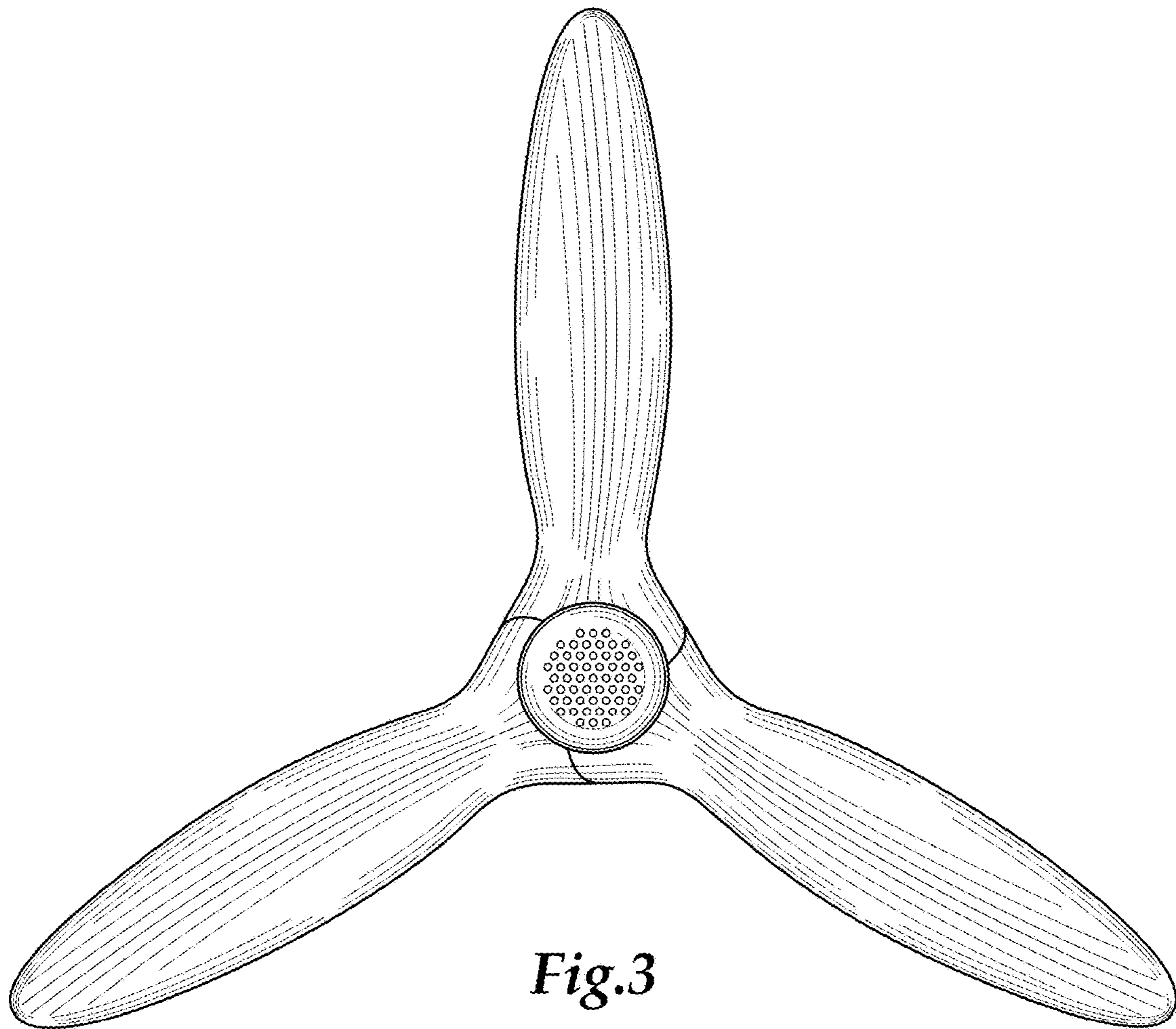


Fig. 1





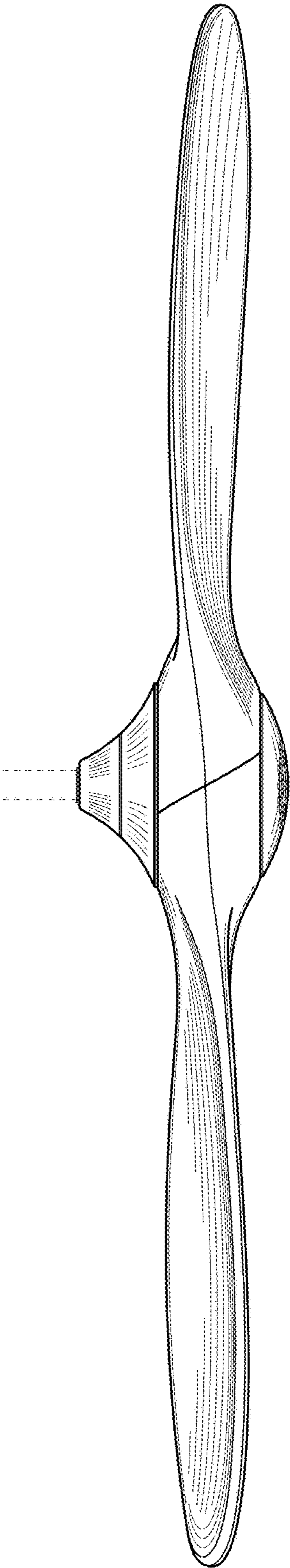


Fig.4

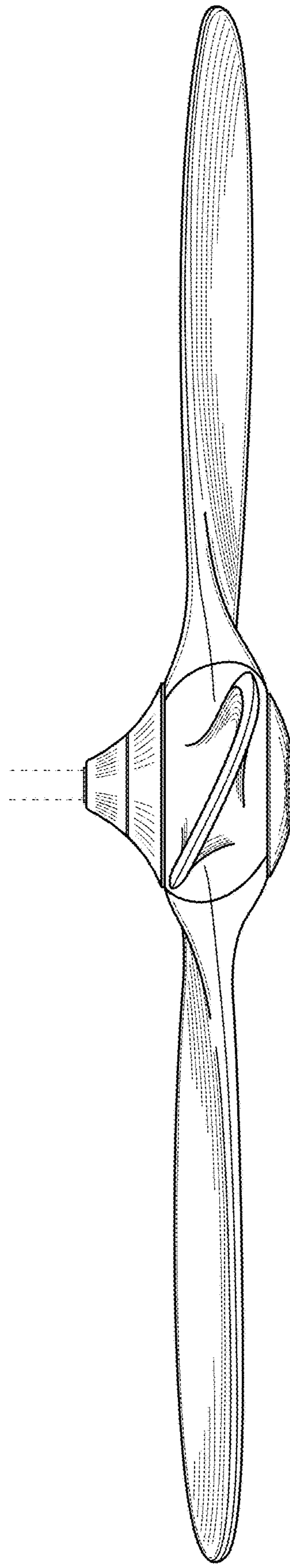


Fig.5

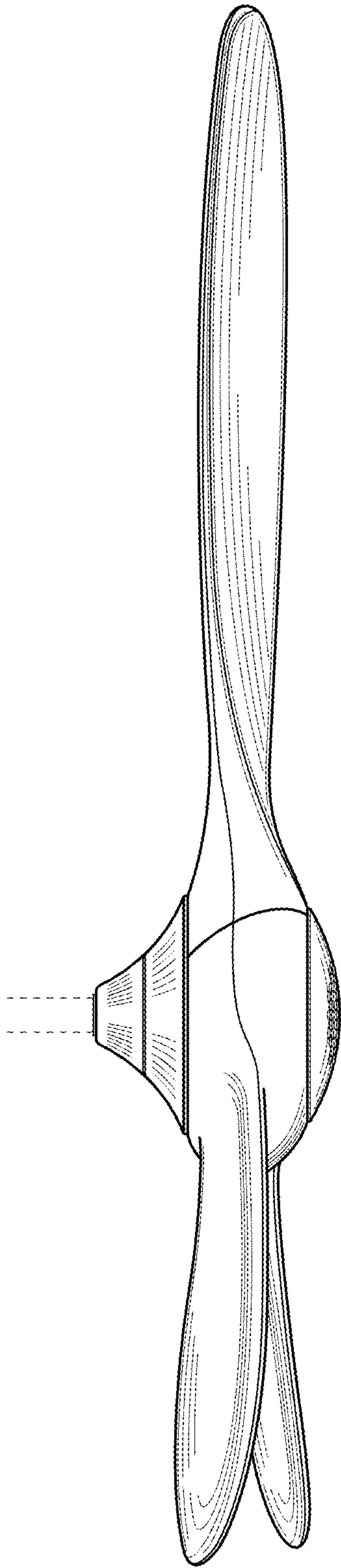


Fig. 6

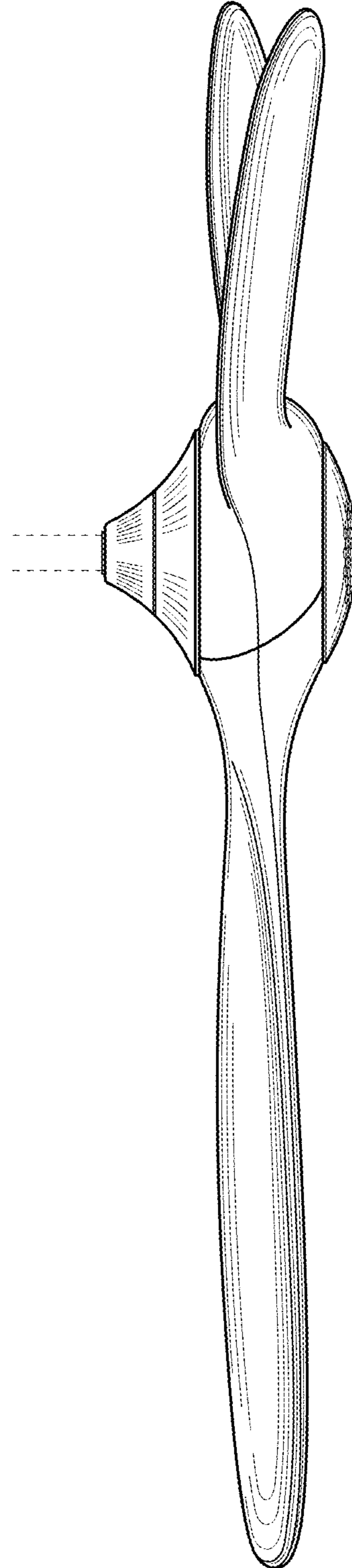


Fig. 7