



US00D807491S

(12) **United States Design Patent** (10) **Patent No.:** **US D807,491 S**
Haggar et al. (45) **Date of Patent:** **** Jan. 9, 2018**

(54) **CEILING FAN**
(71) Applicant: **HUNTER FAN COMPANY,**
Memphis, TN (US)
(72) Inventors: **Alexander Jonathan Haggar,**
Memphis, TN (US); **Christophe**
Badarello, Holly Springs, TN (US)
(73) Assignee: **Hunter Fan Company,** Memphis, TN
(US)

D519,625 S * 4/2006 Young D23/377
D523,138 S 6/2006 Burns
D525,699 S * 7/2006 Davenport D23/377
D535,014 S * 1/2007 Pickett D23/411
D549,814 S 8/2007 Gajewski
D556,940 S 12/2007 Gajewski
D572,814 S * 7/2008 Bucher D23/377
D598,999 S * 8/2009 Hidalgo D23/377
D599,003 S 8/2009 Hidalgo
D618,786 S 6/2010 Hidalgo
D663,455 S * 7/2012 Glasbrenner D26/59
D708,314 S 7/2014 Pan

(Continued)

(**) Term: **15 Years**

(21) Appl. No.: **29/581,188**
(22) Filed: **Oct. 17, 2016**
(51) **LOC (11) Cl.** **23-04**
(52) **U.S. Cl.**
USPC **D23/377; D23/385**
(58) **Field of Classification Search**
USPC **D23/370, 377, 379, 385, 411; D26/59**
CPC **F04D 25/088; F21V 33/0096**
See application file for complete search history.

(56) **References Cited**

U.S. PATENT DOCUMENTS

D304,229 S * 10/1989 Rezek D23/377
D342,311 S 12/1993 Rezek
D346,439 S * 4/1994 Liu D23/377
D346,858 S * 5/1994 Lee D23/377
D386,257 S * 11/1997 Liu D23/377
D421,797 S * 3/2000 Collmar D23/377
D445,887 S * 7/2001 Campbell D23/377
D449,682 S 10/2001 Gajewski
D453,563 S * 2/2002 Bogazzi D23/377
D462,756 S 9/2002 Liu
D476,411 S 6/2003 Friedes
D477,068 S * 7/2003 Hsieh D23/377
D477,396 S 7/2003 Campbell
D478,974 S * 8/2003 Hidalgo D23/377
D492,762 S 7/2004 Young

OTHER PUBLICATIONS

<https://www.amazon.com/Minka-Aire-F824-ORB-TB-Oil-Rubbed-Ceiling/dp/B002ZXG6DU?th=1>, Item Specification for Minka-Aire F824-BK/CH, Uchiwa, 56" Ceiling Fan with Light, accessed on Oct. 12, 2016.

(Continued)

Primary Examiner — Janice Hallmark
(74) *Attorney, Agent, or Firm* — McGarry Bair PC

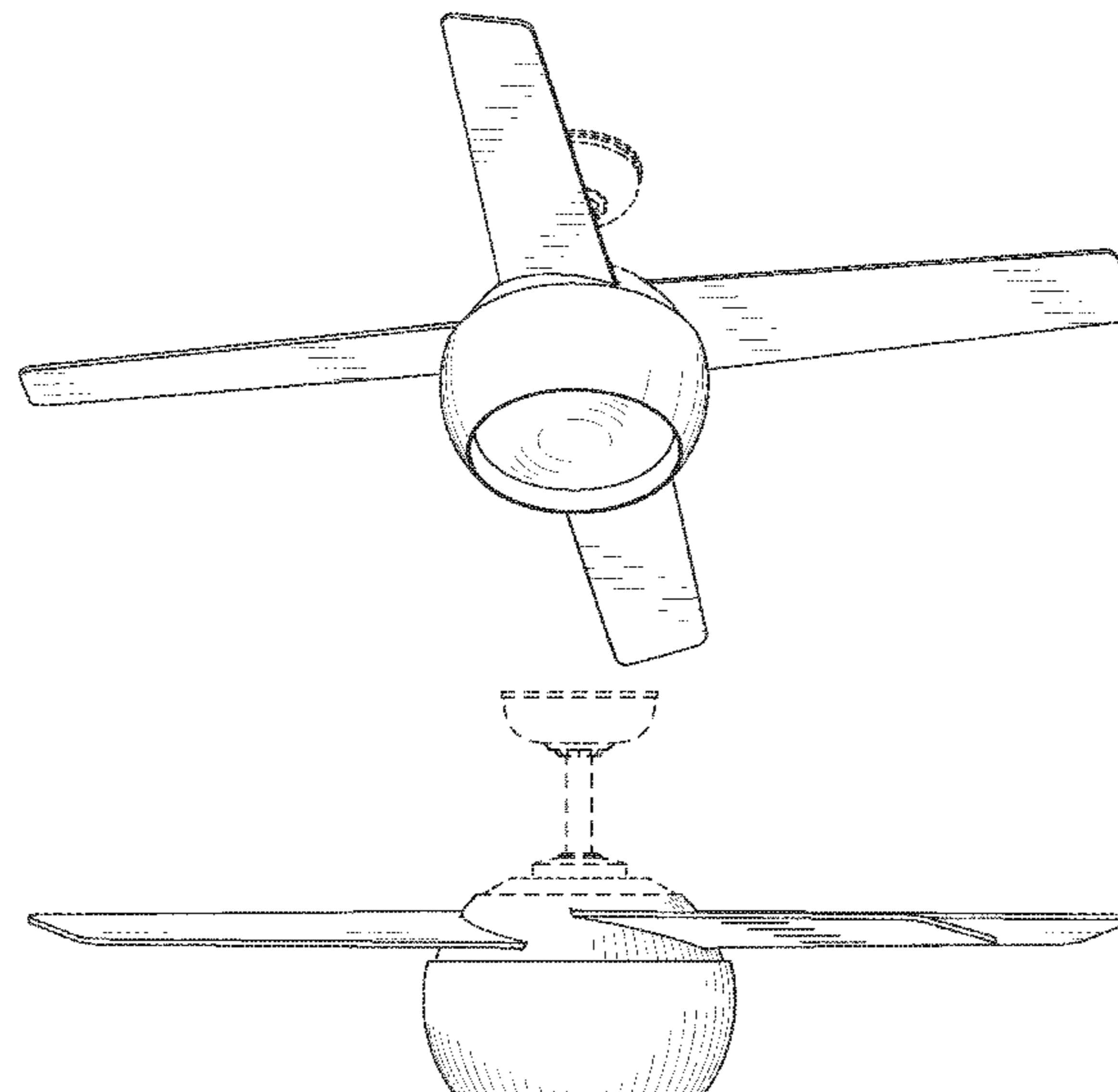
(57) **CLAIM**

The ornamental design for a ceiling fan, as shown and described.

DESCRIPTION

FIG. 1 is a top perspective view of a ceiling fan showing my new design;
FIG. 2 is a bottom perspective view of the ceiling fan of FIG. 1;
FIG. 3 is a top view of the ceiling fan of FIG. 1;
FIG. 4 is a bottom view of the ceiling fan of FIG. 1; and,
FIG. 5 is a front side view of the ceiling fan of FIG. 1, with rear, right, and left side views being mirror images thereof. Portions of the ceiling fan shown in broken lines form no part of the claimed design.

1 Claim, 4 Drawing Sheets



(56)

References Cited

U.S. PATENT DOCUMENTS

D743,523 S 11/2015 Ertze
D744,629 S * 12/2015 Wang D23/377
D745,655 S 12/2015 Pickett
D785,156 S * 4/2017 Wang D23/377
2016/0319842 A1 * 11/2016 Botkin F04D 29/601

OTHER PUBLICATIONS

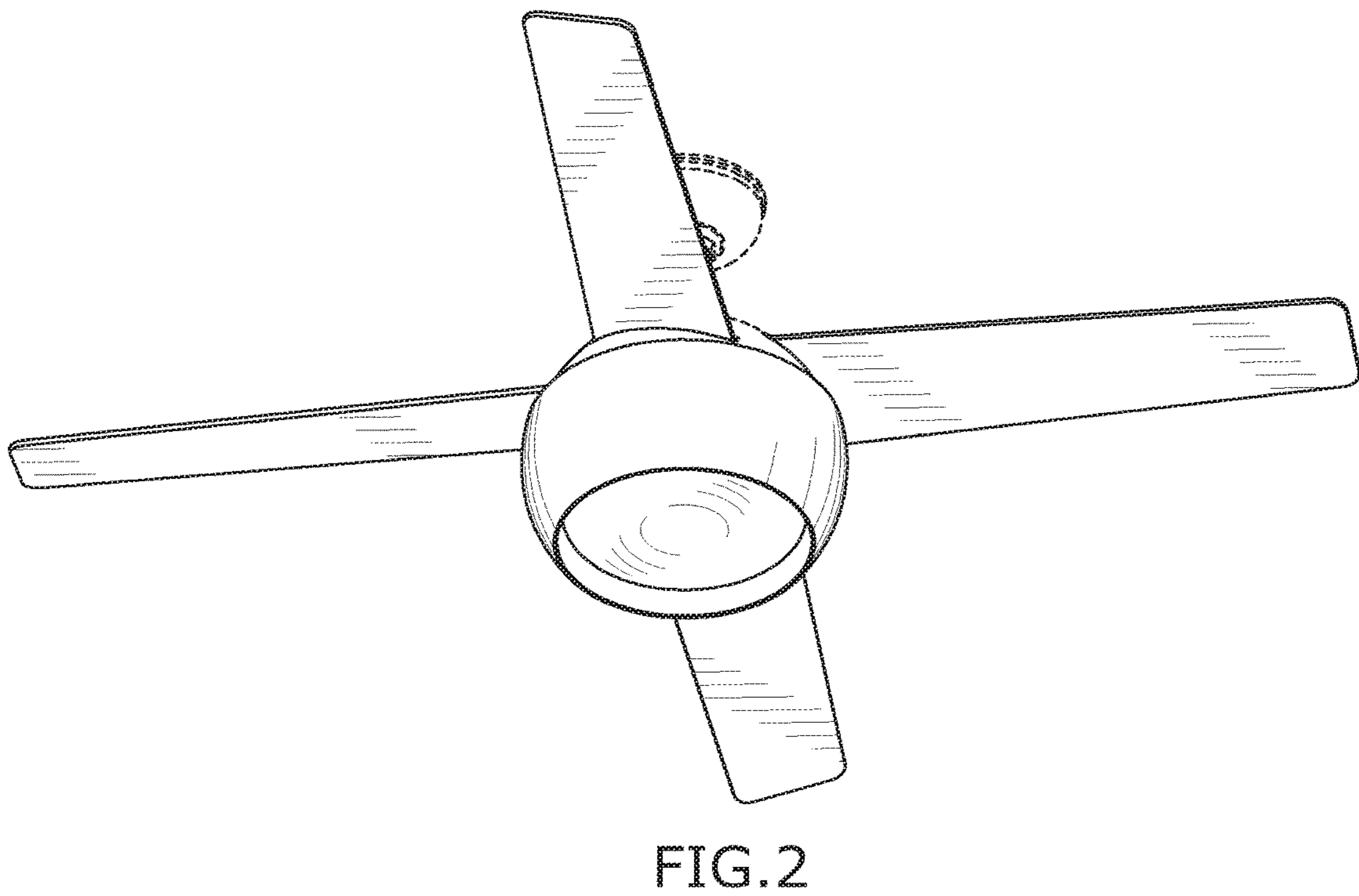
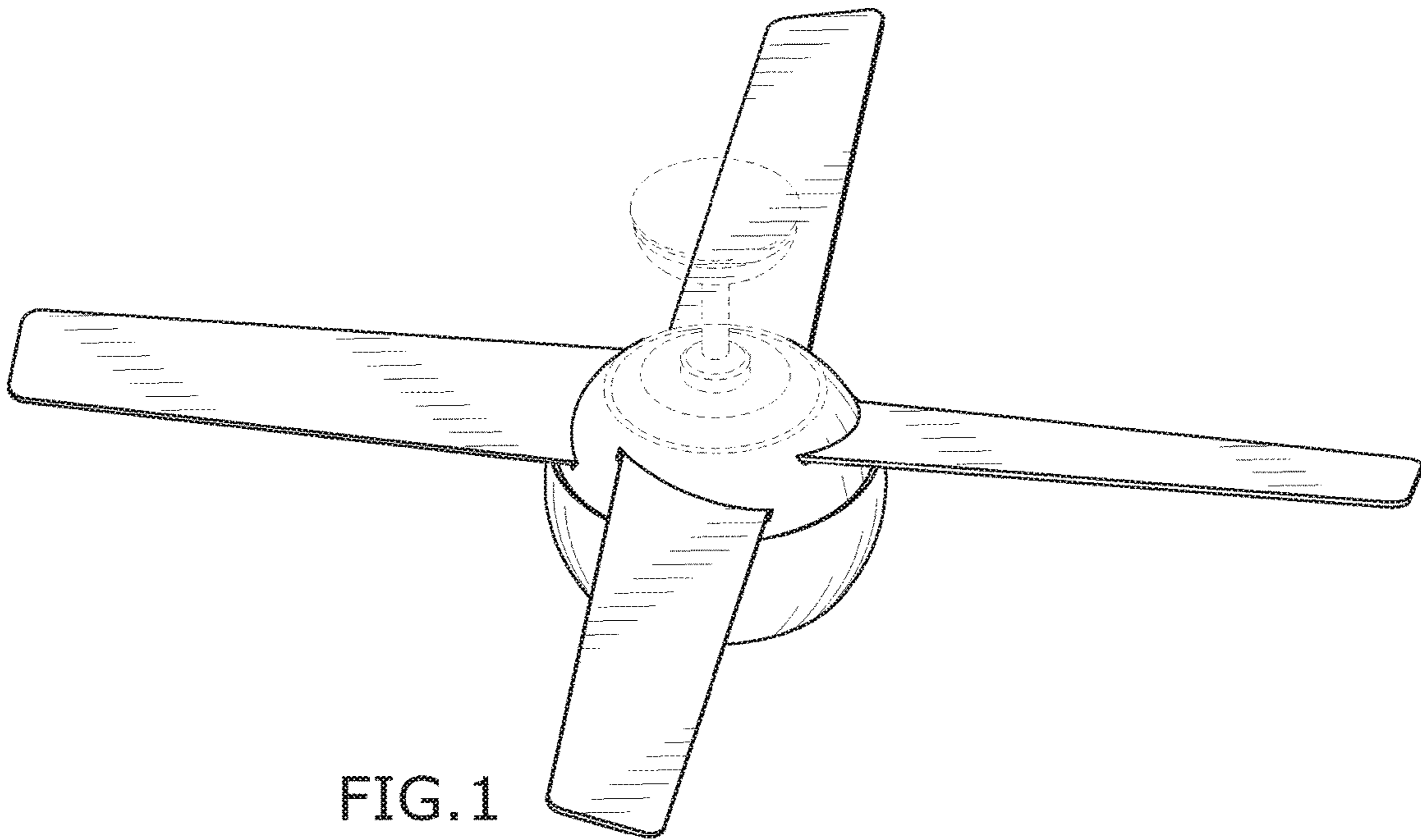
<http://www.kichler.com/products/product/52-inch-makoda-fan-obb-300137obb.aspx>, Item Specification for Kichler Makoda 52 Inch Makoda Fan OBB 300137OBB (Oil Brushed Bronze), accessed on Oct. 12, 2016.

<http://www.montecarlofans.com/44077/56in-Skylon-Satin-Nickel-3SKYR56SND.html>, Item Specification for Monte Carlo Skylon Collection Product #: 3SKYR56SND, accessed on Oct. 12, 2016.

<http://www.montecarlofans.com/38110/52-Nikki---Polished-Nickel-5NKR52PND.html>, Item Specification for Monte Carlo Nikki Collection Product #: 5NKR52PND, accessed on Oct. 12, 2016.

<http://www.homedepot.com/p/Hampton-Bay-Wollaston-52-in-LED-Indoor-Polished-Nickel-Ceiling-Fan-YG338-PN/206641622>, Item Specification for Hampton Bay Wollaston 52 in. LED Indoor Polished Nickel Ceiling Fan, accessed on Oct. 12, 2016.

* cited by examiner



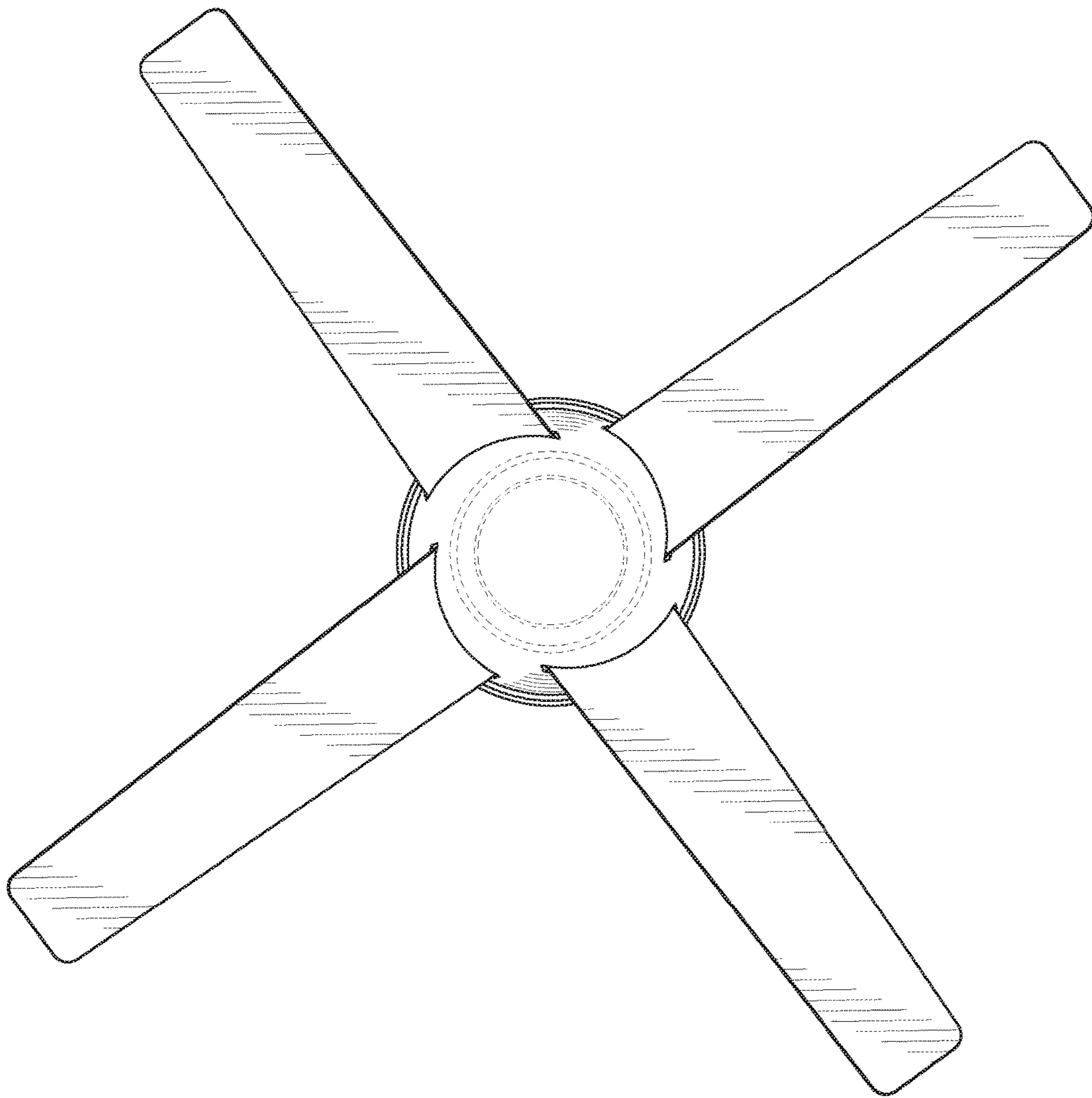


FIG.3

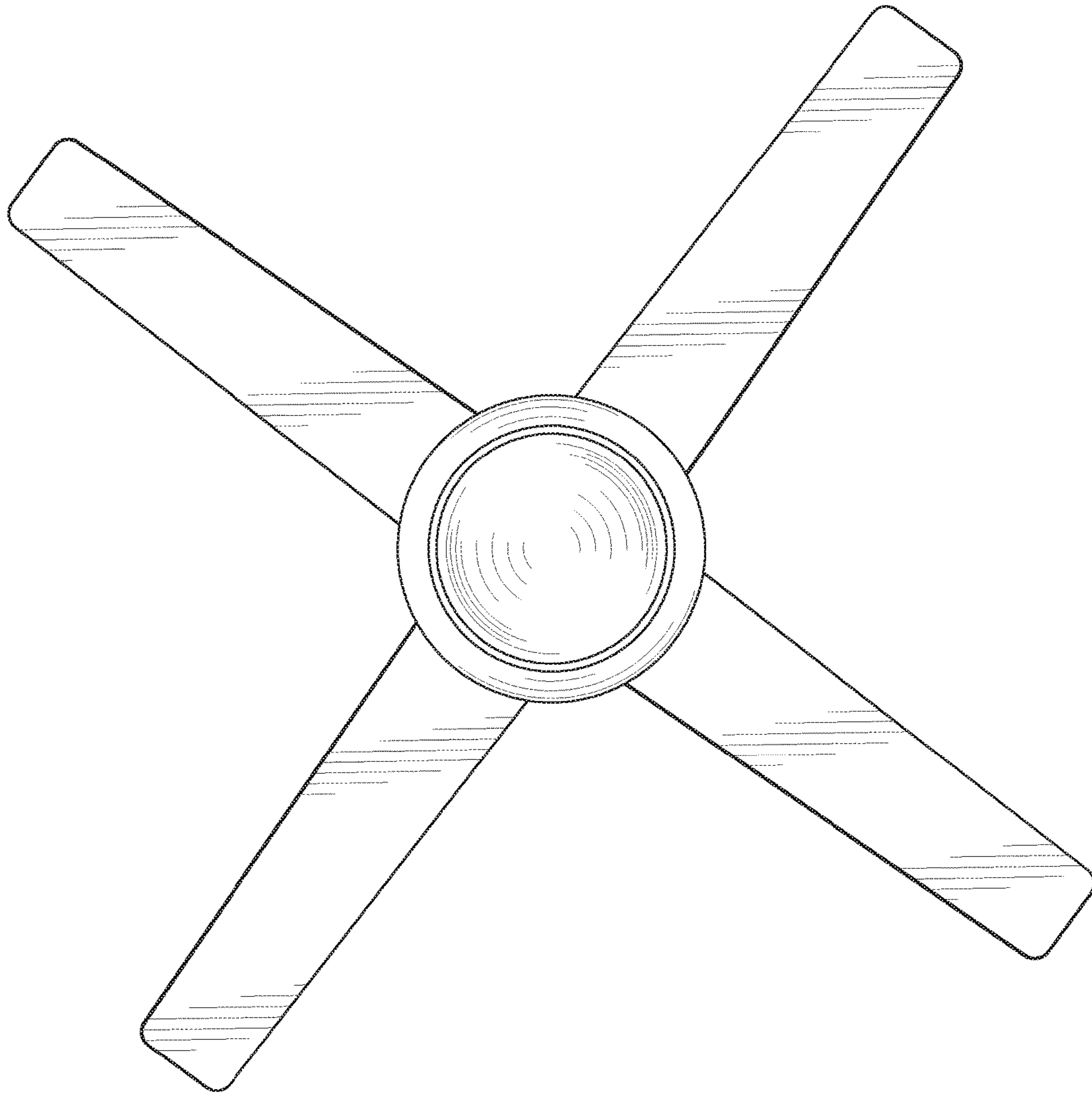


FIG. 4

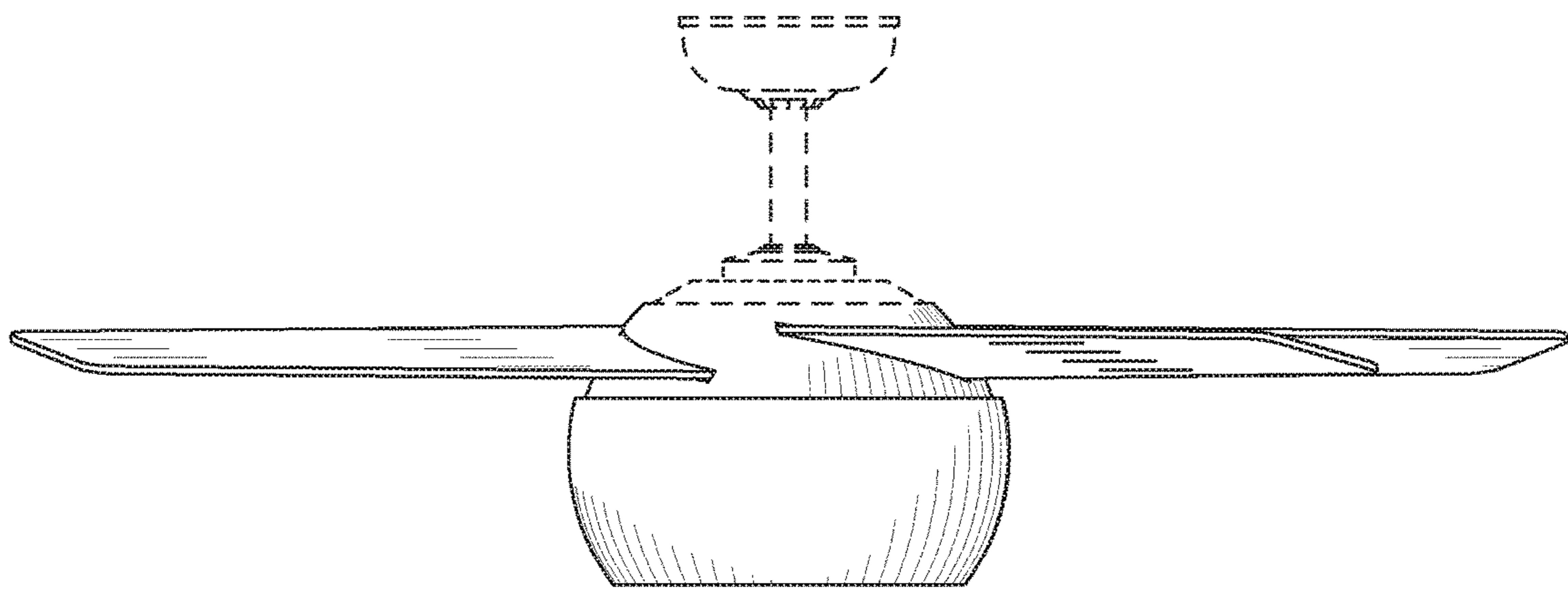


FIG. 5