



US00D807490S

(12) **United States Design Patent** (10) **Patent No.:** **US D807,490 S**
Ruan (45) **Date of Patent:** **** Jan. 9, 2018**

(54) **CEILING FAN**
(71) Applicant: **ZHONGSHAN CO-TECH INDUSTRIES LTD.**, Guangdong Province (CN)

D680,210 S * 4/2013 Chan D23/377
D715,421 S * 10/2014 Schulzman D23/413
D741,468 S * 10/2015 Ertze D23/377
D780,902 S * 3/2017 Gajewski D23/377
D785,157 S * 4/2017 Wang D23/377
2007/0104583 A1* 5/2007 Gajewski F04D 25/088
416/210 R
2012/0177496 A1* 7/2012 Gajewski F04D 25/088
416/204 R

(72) Inventor: **Yingxuan Ruan**, Guangdong Province (CN)

(**) Term: **15 Years**

* cited by examiner

(21) Appl. No.: **29/574,328**

Primary Examiner — Janice Hallmark

(22) Filed: **Aug. 15, 2016**

(74) *Attorney, Agent, or Firm* — Prakash Nama; Global IP Services, PLLC

(51) **LOC (11) Cl.** **23-04**

(57) **CLAIM**

(52) **U.S. Cl.**
USPC **D23/377; D23/385**

The ornamental design for a ceiling fan, as shown and described.

(58) **Field of Classification Search**
USPC D23/370, 371, 373, 377–379, 380–382, D23/385–388, 411–414; D26/59; D12/214
CPC F04D 25/088; F04D 29/005; F04D 29/601; F04D 29/324; F21V 33/0096; F21V 33/0092; F24F 13/078
See application file for complete search history.

DESCRIPTION

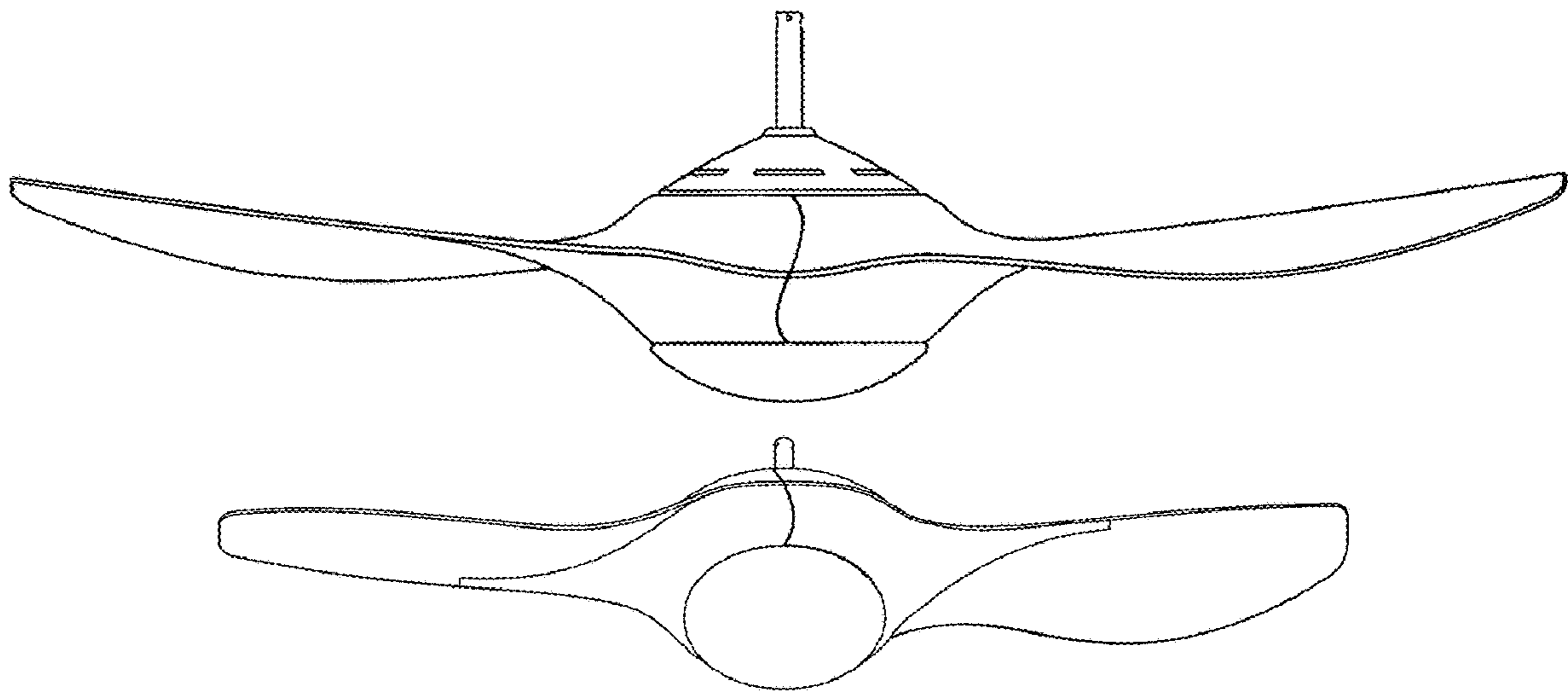
FIG. 1 is a front elevational view of a ceiling fan showing my new design;
FIG. 2 is a detail view thereof, showing the portion of FIG. 1 encircled by dash-dot-dash lines;
FIG. 3 is a rear elevational view thereof;
FIG. 4 is a left side view thereof;
FIG. 5 is a right side view thereof;
FIG. 6 is a top plan view thereof;
FIG. 7 is a bottom plan view thereof; and,
FIG. 8 is a perspective view thereof.

(56) **References Cited**

U.S. PATENT DOCUMENTS

D475,775 S * 6/2003 Da Costa D23/377
D515,196 S * 2/2006 Indio da Costa D23/377
D678,997 S * 3/2013 Gajewski D23/372

1 Claim, 2 Drawing Sheets



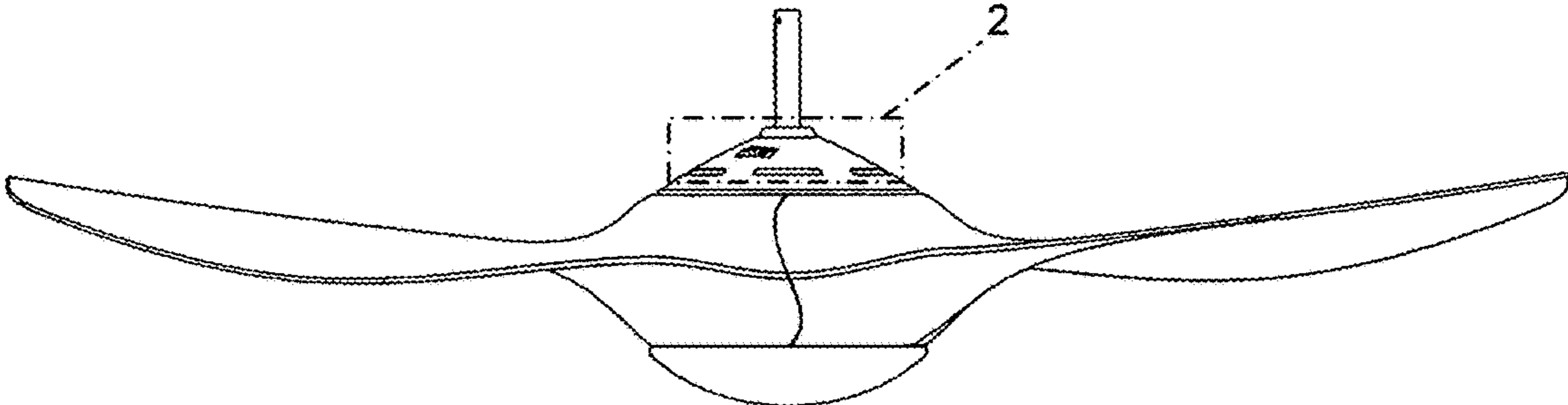


FIG. 1

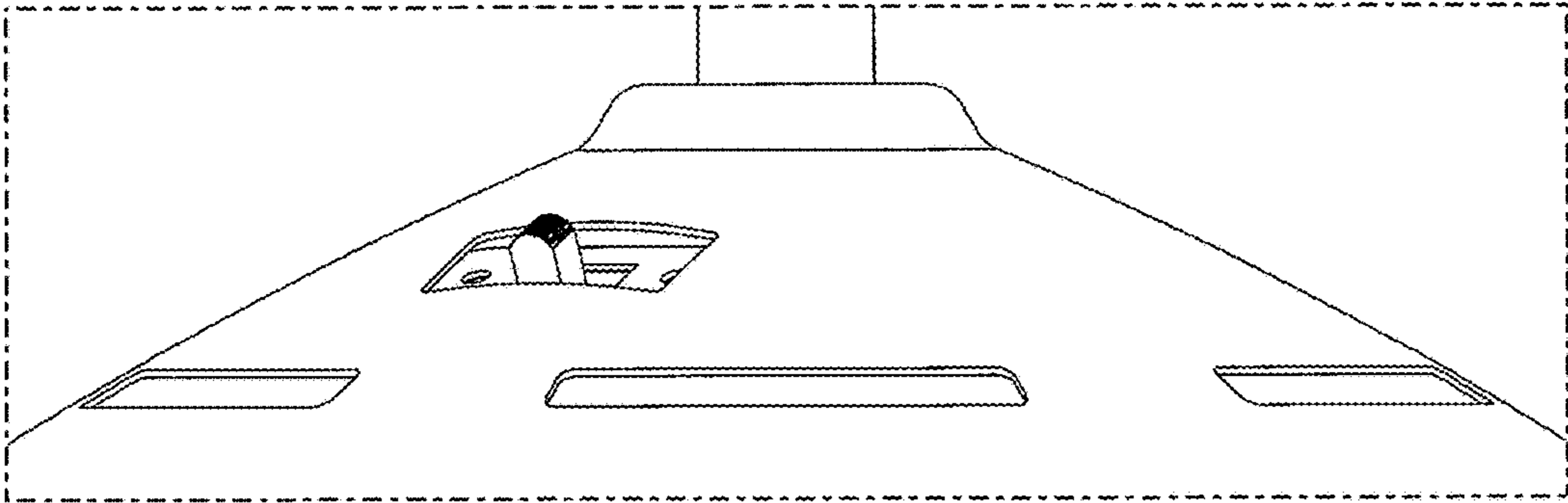


FIG. 2

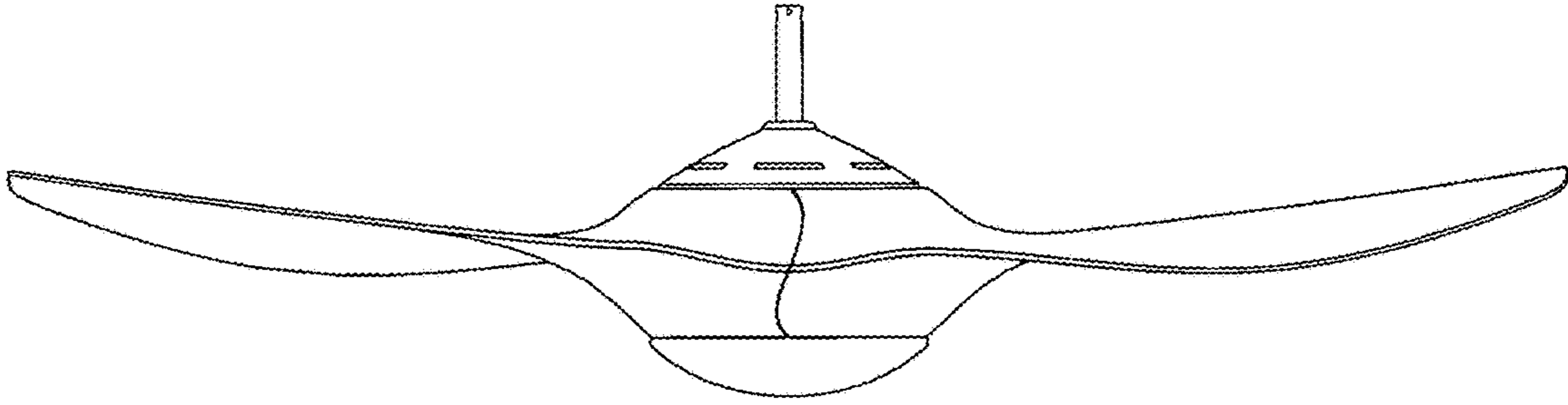


FIG. 3

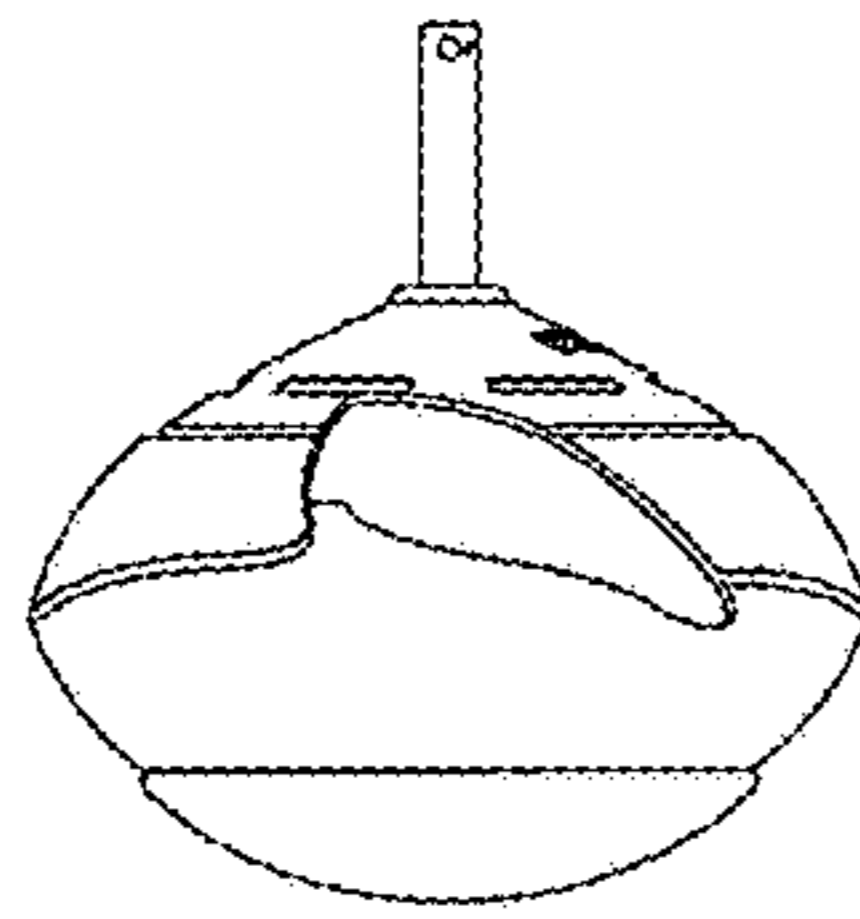


FIG. 4

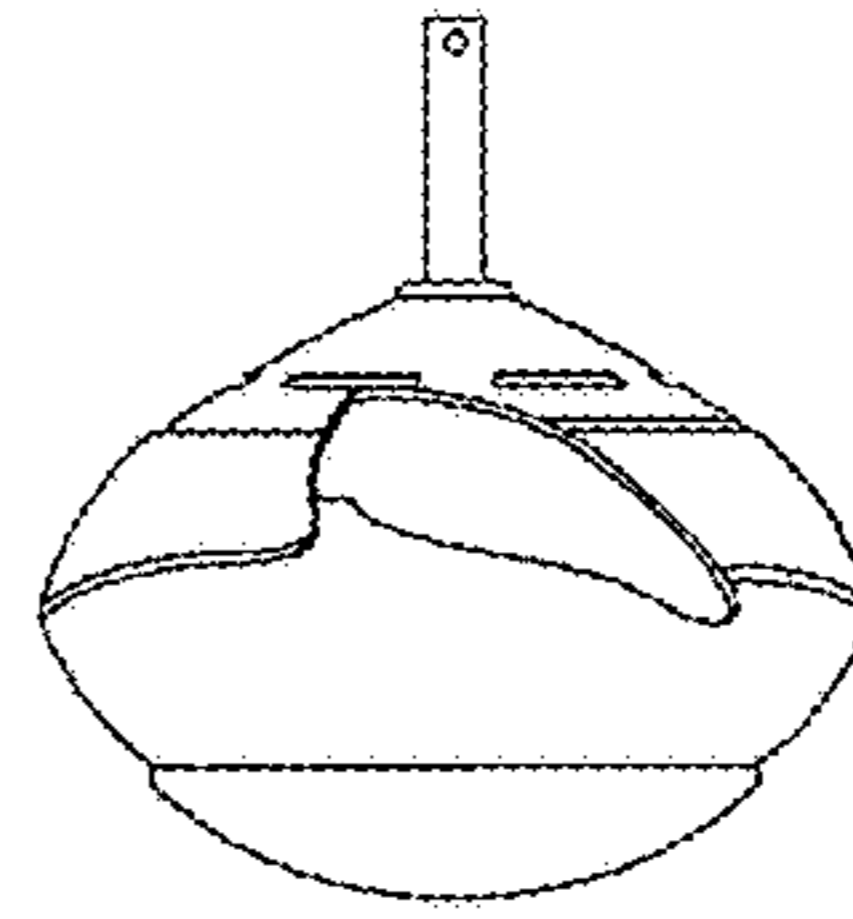


FIG. 5

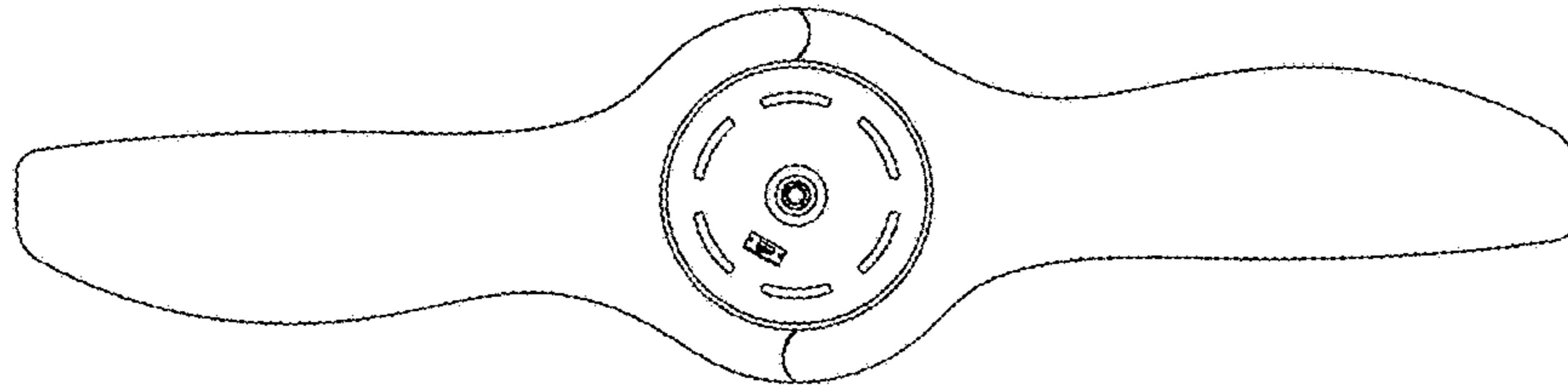


FIG. 6

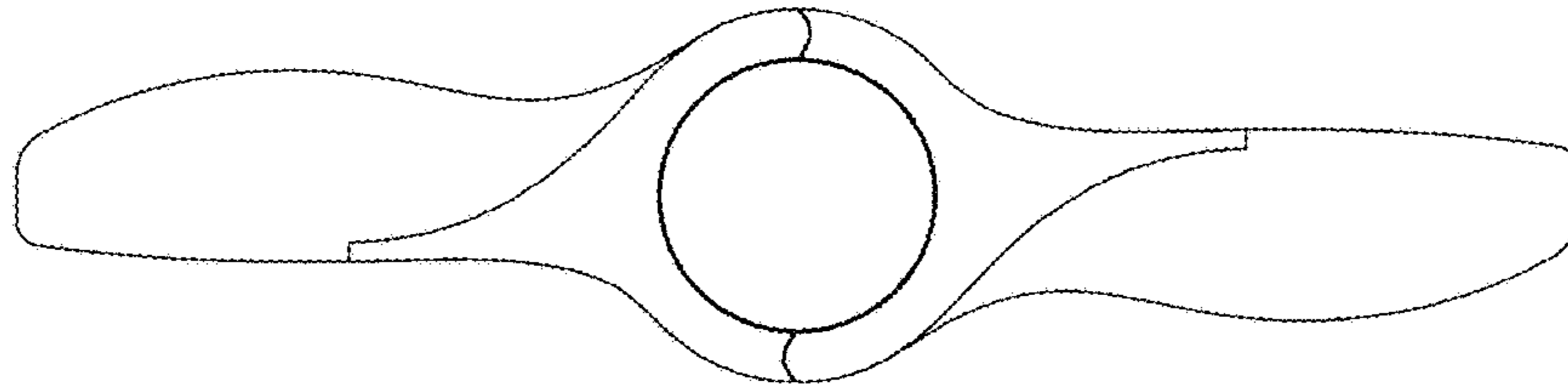


FIG. 7

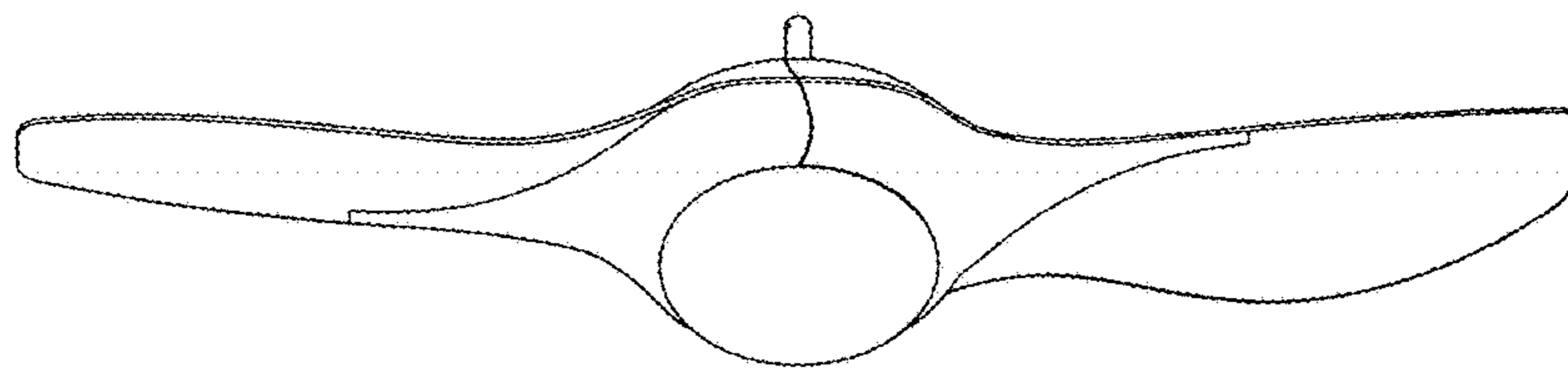


FIG. 8