



US00D807488S

(12) **United States Design Patent** (10) **Patent No.:** **US D807,488 S**  
**McRoberts** (45) **Date of Patent:** **\*\* Jan. 9, 2018**

(54) **CEILING FAN**

(71) Applicant: **HUNTER FAN COMPANY**,  
Memphis, TN (US)

(72) Inventor: **Claire Bernice McRoberts**, Memphis,  
TN (US)

(73) Assignee: **Hunter Fan Company**, Memphis, TN  
(US)

(\*\*) Term: **15 Years**

(21) Appl. No.: **29/557,281**

(22) Filed: **Mar. 8, 2016**

(51) **LOC (11) Cl.** ..... **23-04**

(52) **U.S. Cl.**  
USPC ..... **D23/377; D26/59**

(58) **Field of Classification Search**  
USPC ..... D23/355, 370-376, 378-387, 412, 414,  
D23/377, 411, 413; D26/59; D12/214  
CPC ..... F04D 25/088; F21V 33/0096  
See application file for complete search history.

(56) **References Cited**

**U.S. PATENT DOCUMENTS**

D246,796 S *	12/1977	Laymon	.....	D23/413
4,073,598 A *	2/1978	Mizutani	.....	F04D 25/0613
				416/170 R
D307,642 S *	5/1990	DiCola	.....	D26/85
5,151,011 A *	9/1992	Rezek	.....	F21V 33/0096
				416/5
D420,120 S *	2/2000	Evans	.....	D23/377
D427,353 S *	6/2000	Ewing	.....	D26/85
D483,847 S *	12/2003	Tai	.....	D23/377
D519,625 S *	4/2006	Young	.....	D23/377
D524,439 S	7/2006	Lung		
D530,004 S *	10/2006	Curtin	.....	D23/411

(Continued)

**OTHER PUBLICATIONS**

NPL U—Hampton Bay Marlton 52 In. Oil Rubbed Bron  
17h×52w×52d Rubbed Bronze, date first available Oct. 5, 2012,

amazon.com, site visited Jun. 22, 2017, Copyright © 1996-2017,  
Available from Internet, <https://www.amazon.com/Marlton-Oil-  
Rubbed-Bron-Bronze/dp/B009M9AJPQ/ref=sr\_1\_1?ie=UTF8  
&qid=1498142645&sr=8-1&keywords=hampton+bay+marlton>.\*

(Continued)

*Primary Examiner* — Cathron C Brooks

*Assistant Examiner* — Sharon S Oum

(74) *Attorney, Agent, or Firm* — McGarry Bair PC

(57) **CLAIM**

The ornamental design for a ceiling fan, as shown and  
described.

**DESCRIPTION**

FIG. 1 is a top perspective view of a first embodiment of a  
ceiling fan;

FIG. 2 is a bottom perspective view of the ceiling fan of FIG.  
1;

FIG. 3 is a top view of the ceiling fan of FIG. 1;

FIG. 4 is a bottom view of the ceiling fan of FIG. 1;

FIG. 5 is a front side view of the ceiling fan of FIG. 1;

FIG. 6 is a rear side view of the ceiling fan of FIG. 1;

FIG. 7 is a right side view of the ceiling fan of FIG. 1;

FIG. 8 is a left side view of the ceiling fan of FIG. 1;

FIG. 9 is a top perspective view of a second embodiment of  
a ceiling fan;

FIG. 10 is a bottom perspective view of the ceiling fan of  
FIG. 9;

FIG. 11 is a top view of the ceiling fan of FIG. 9;

FIG. 12 is a bottom view of the ceiling fan of FIG. 9;

FIG. 13 is a front side view of the ceiling fan of FIG. 9;

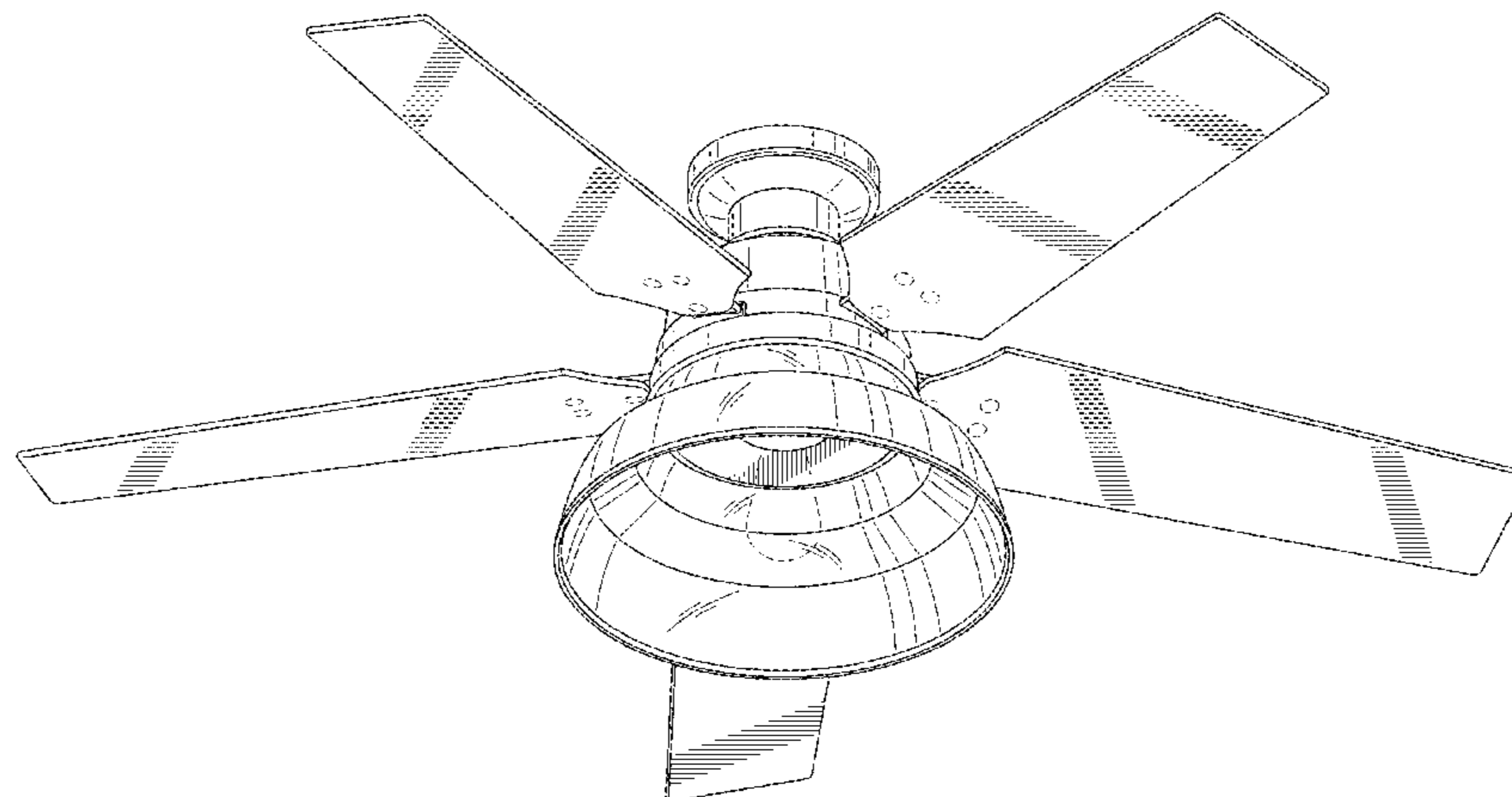
FIG. 14 is a rear side view of the ceiling fan of FIG. 9;

FIG. 15 is a right side view of the ceiling fan of FIG. 9; and,

FIG. 16 is a left side view of the ceiling fan of FIG. 9.

Portions of the drawings shown in broken lines form no part  
of the claimed design.

**1 Claim, 12 Drawing Sheets**



(56)

**References Cited**

U.S. PATENT DOCUMENTS

D536,438 S	*	2/2007	Curtin .....	D23/411
D541,403 S		4/2007	Lee	
D556,939 S		12/2007	Gajewski	
D557,787 S	*	12/2007	Gajewski .....	D23/377
D718,486 S	*	11/2014	Hildebrandt .....	D26/118
D760,368 S	*	6/2016	Chen .....	D23/377

OTHER PUBLICATIONS

NPL V—Craftmade UN520BG4, Union Bronze 52" Outdoor Ceiling Fan with Light & Wall & Remote Control, date first available Mar. 1, 2010, amazon.com, site visited Jun. 22, 2017, Copyright© 1996-2017, Available from Internet, <[https://www.amazon.com/Craftmade-UN520BG4-Outdoor-Ceiling-Control/dp/B003LLA3L6/ref=sr\\_1\\_2?ie=UTF8&qid=1498143032&sr=8-2&keywords=cra.\\*](https://www.amazon.com/Craftmade-UN520BG4-Outdoor-Ceiling-Control/dp/B003LLA3L6/ref=sr_1_2?ie=UTF8&qid=1498143032&sr=8-2&keywords=cra.*)>.\*  
 NPL W—Feiss 1—Light Pendant, date first available Jul. 25, 2016, amazon.com, site visited Jun. 22, 2017, Copyright © 1996-2017,

Available from Internet, <[https://www.amazon.com/Feiss-1-Light-Pendant/dp/B01J1ZB800/ref=sr\\_1\\_5?ie=UTF8&qid=1498066134&sr=8-5&keywords=baskin+1+light+pendant](https://www.amazon.com/Feiss-1-Light-Pendant/dp/B01J1ZB800/ref=sr_1_5?ie=UTF8&qid=1498066134&sr=8-5&keywords=baskin+1+light+pendant)>.\*

NPL X—Minka Lavery Ceiling Fan Minka Aire F681-Bnw, 56", date first available Mar. 5, 2016, amazon.com, site visited Jun. 22, 2017, Copyright © 1996-2017, Available from Internet, <[https://www.amazon.com/Minka-Lavery-Ceiling-Aire-F681-Bnw/dp/B01FT4T2VY/ref=sr\\_1\\_1?ie=UTF8&qid=1498059115&sr=8-1&keywords=minka+aire+groton](https://www.amazon.com/Minka-Lavery-Ceiling-Aire-F681-Bnw/dp/B01FT4T2VY/ref=sr_1_1?ie=UTF8&qid=1498059115&sr=8-1&keywords=minka+aire+groton)>.\*

<http://ceilingfans.emerson.com/shop/en/fan/fans-s-emerson-fans/emerson-fans-browse-all/cornerstone-fan-cf1orb>, cornerstone, CF1ORB, accessed Mar. 8, 2016.

<http://www.modernfan.com/products/gusto.html>, Gusto, accessed Mar. 8, 2016.

<http://www.menards.com/main/p-1444433644206-c-7487>.

[htm?tid=-5477460810298133349](http://www.menards.com/main/p-1444433644206-c-7487), Hunter Landsdowne 52" Cheyenne Bronze Damp-Rated Ceiling Fan, 59172, accessed Mar. 8, 2016.

\* cited by examiner

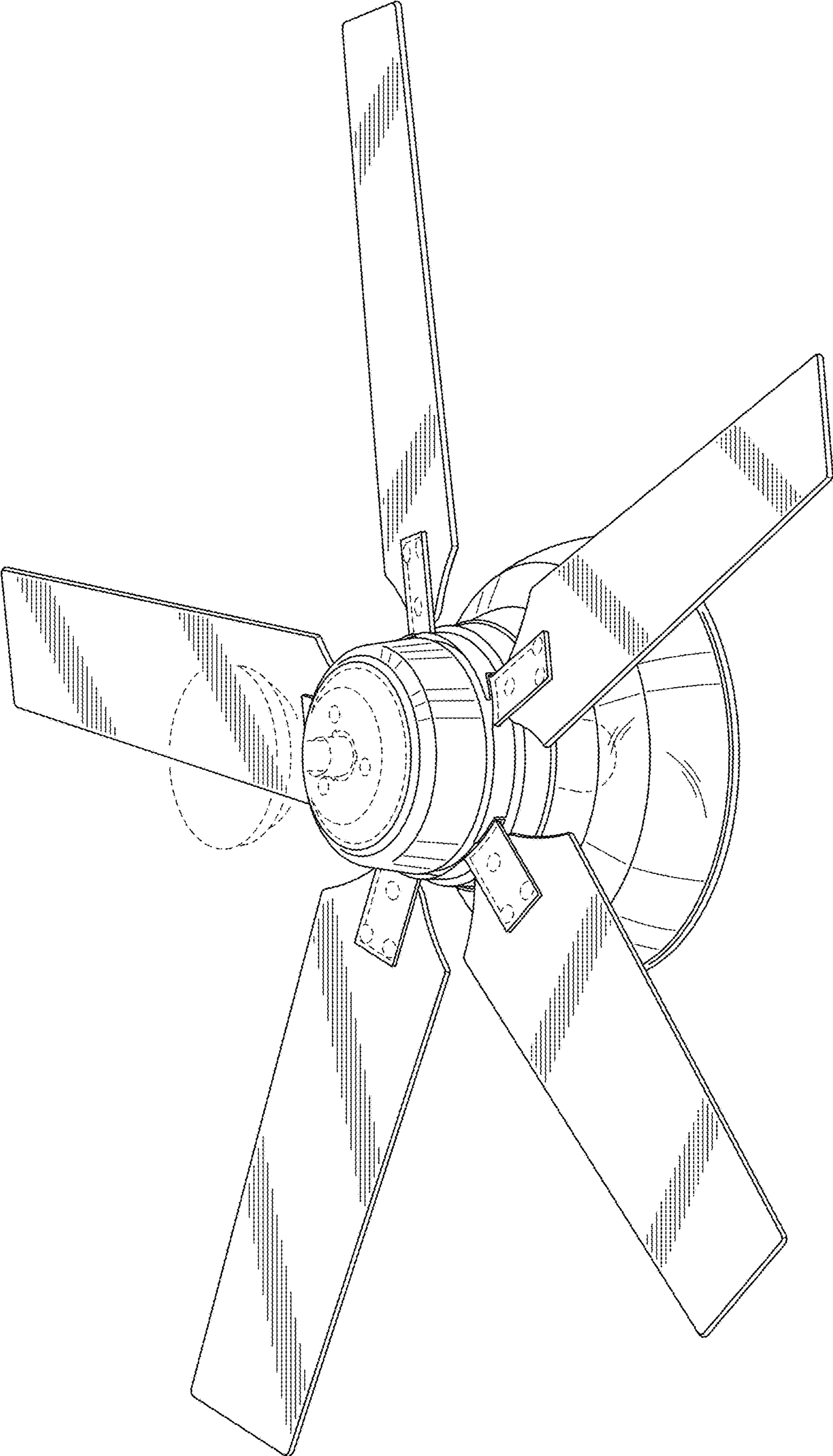


FIG.1

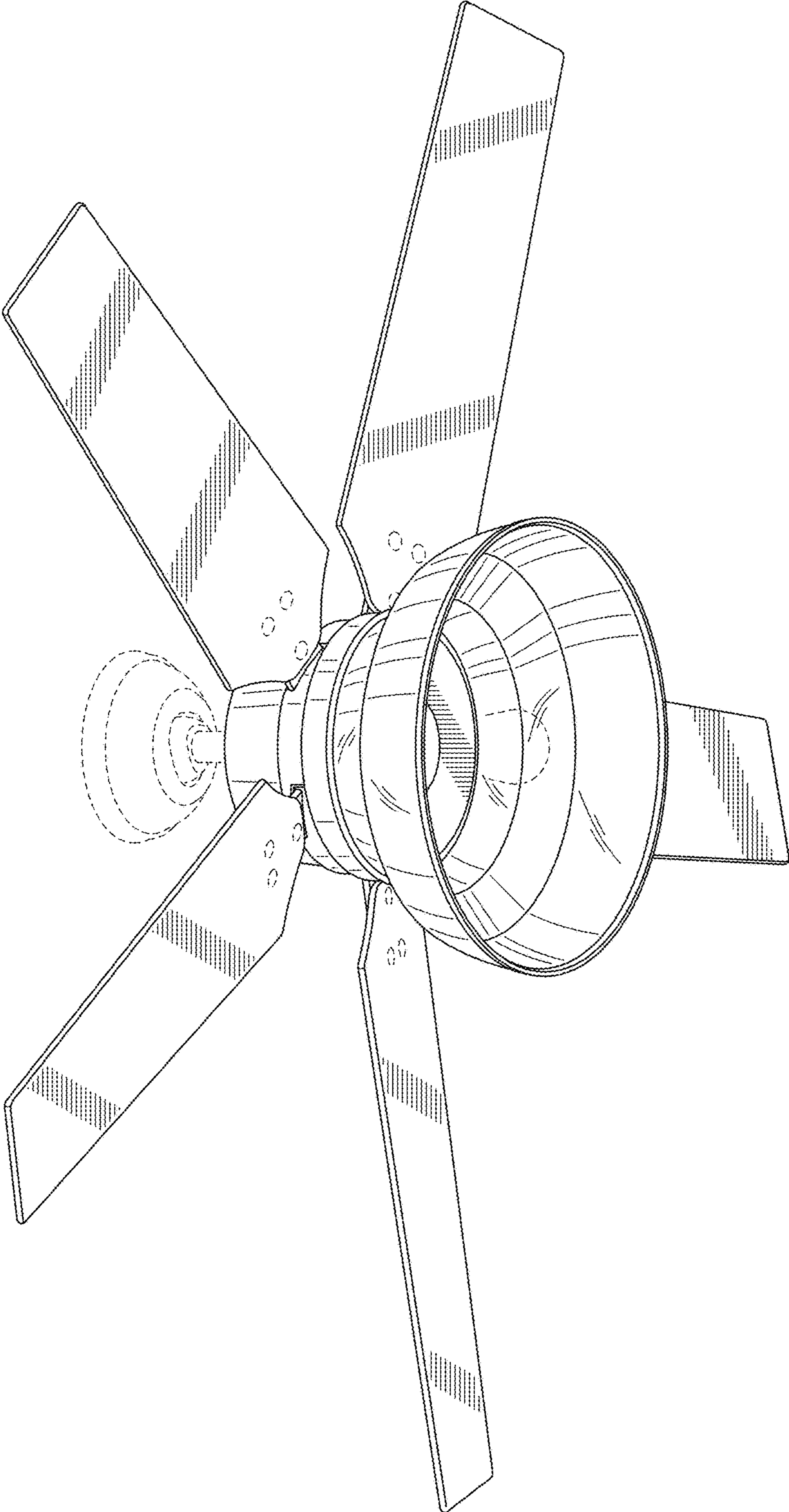


FIG. 2

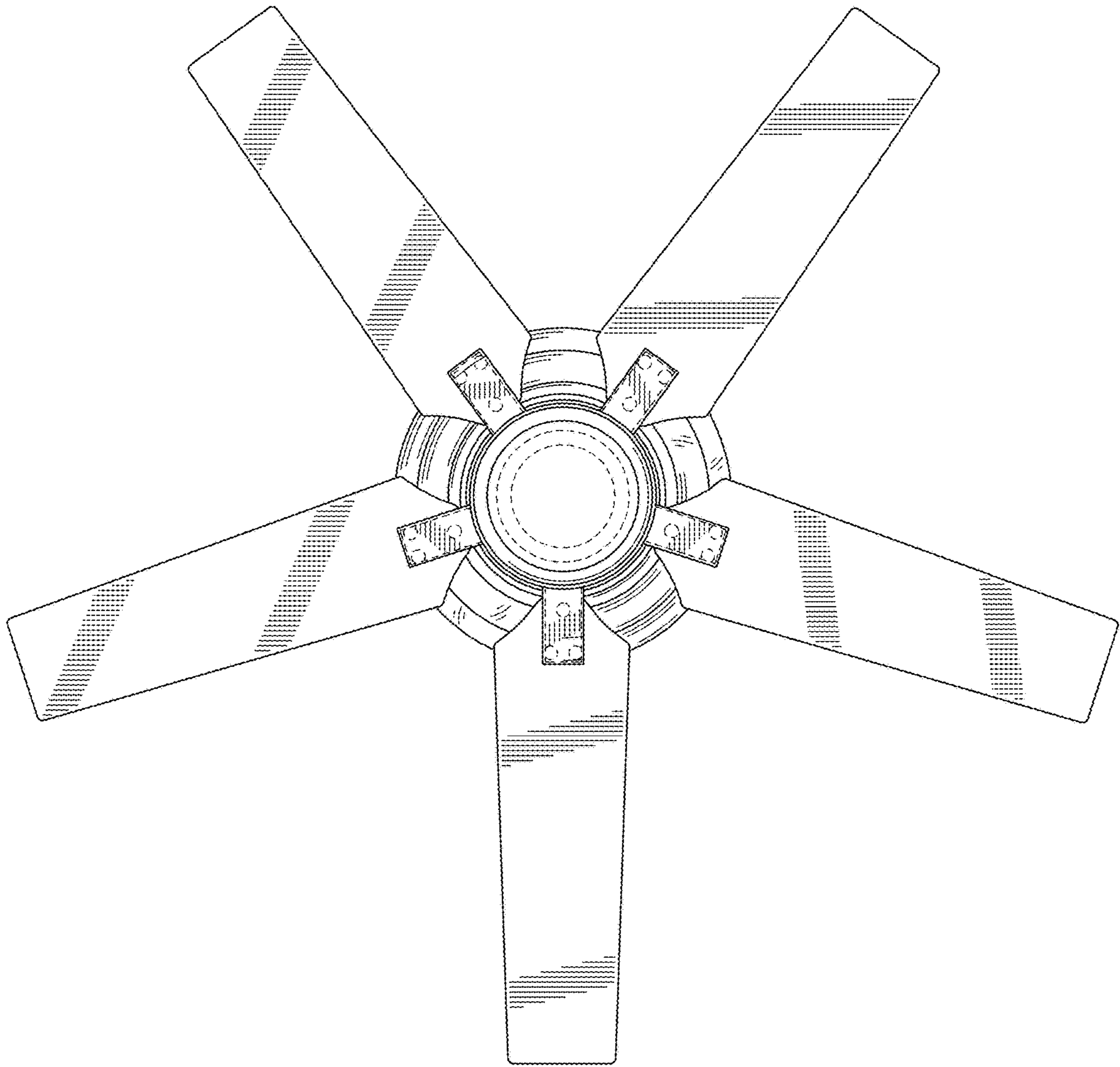


FIG.3

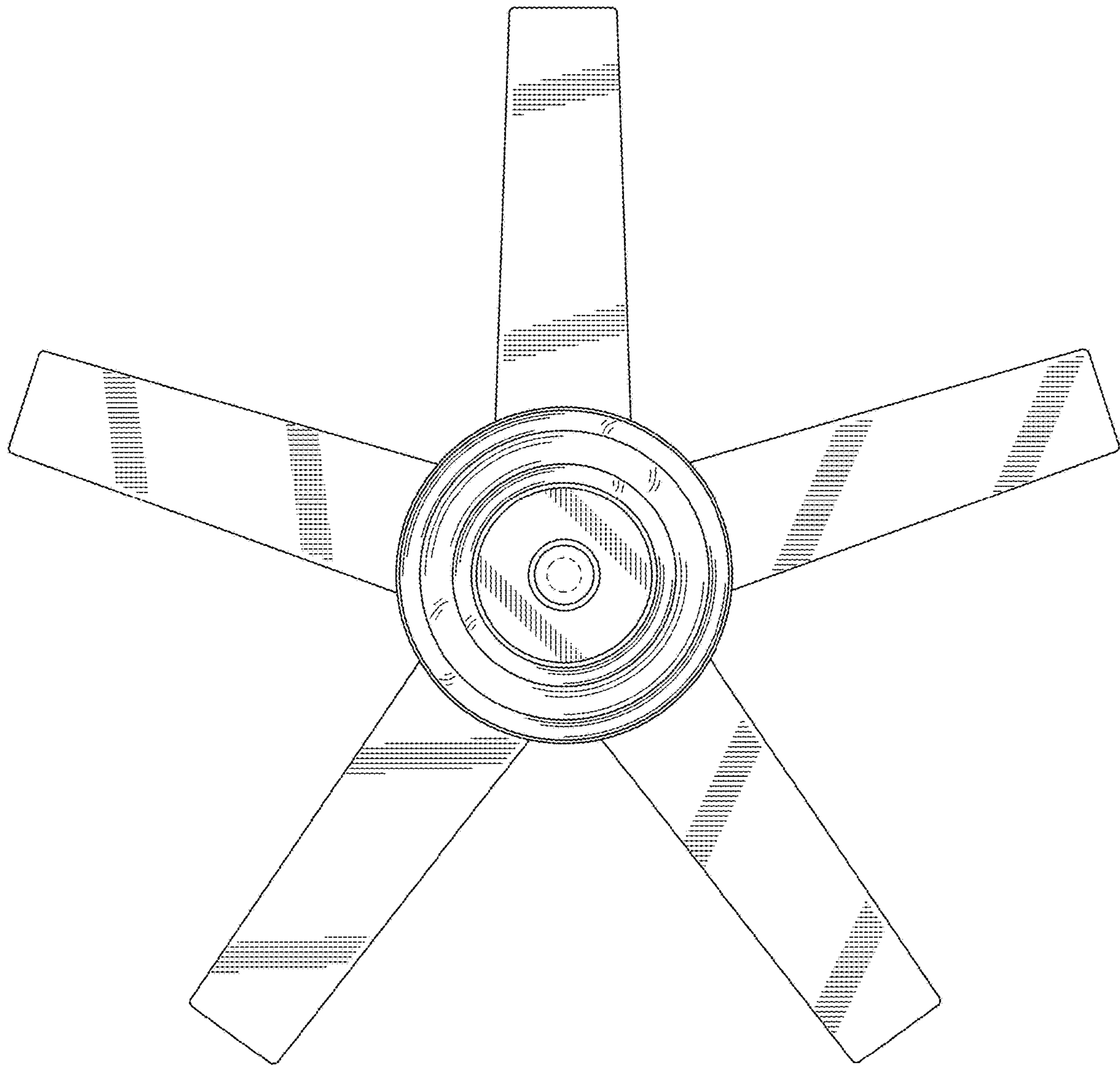


FIG.4

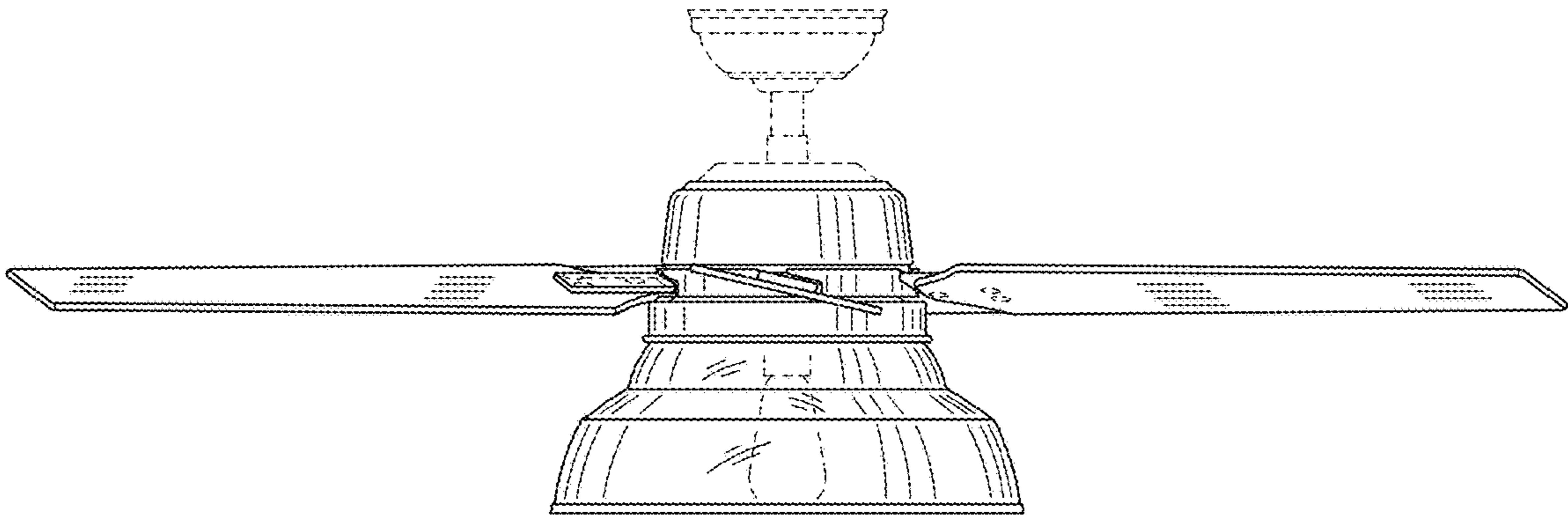


FIG. 5

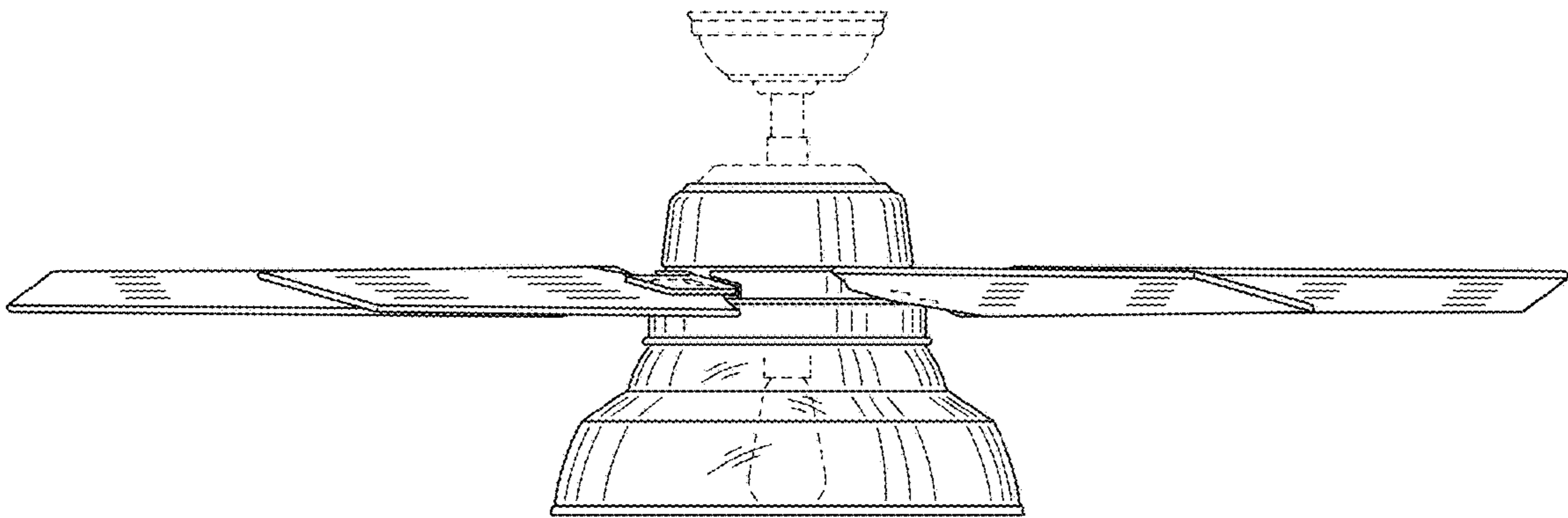


FIG. 6

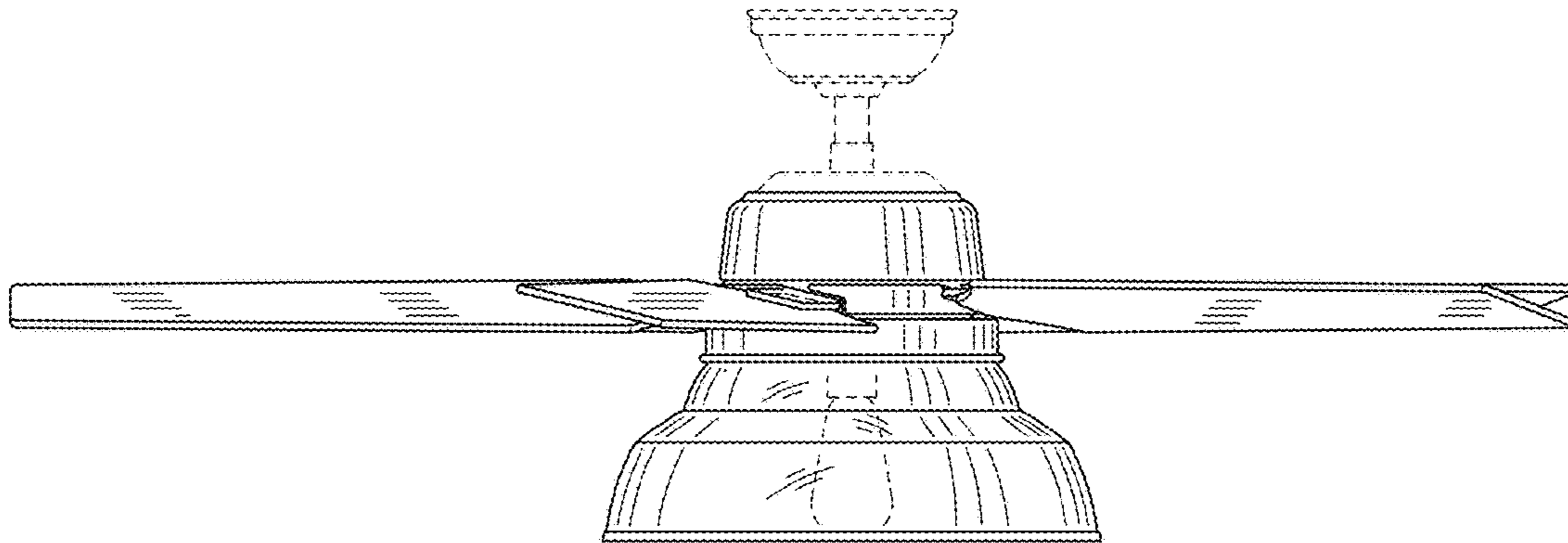


FIG. 7

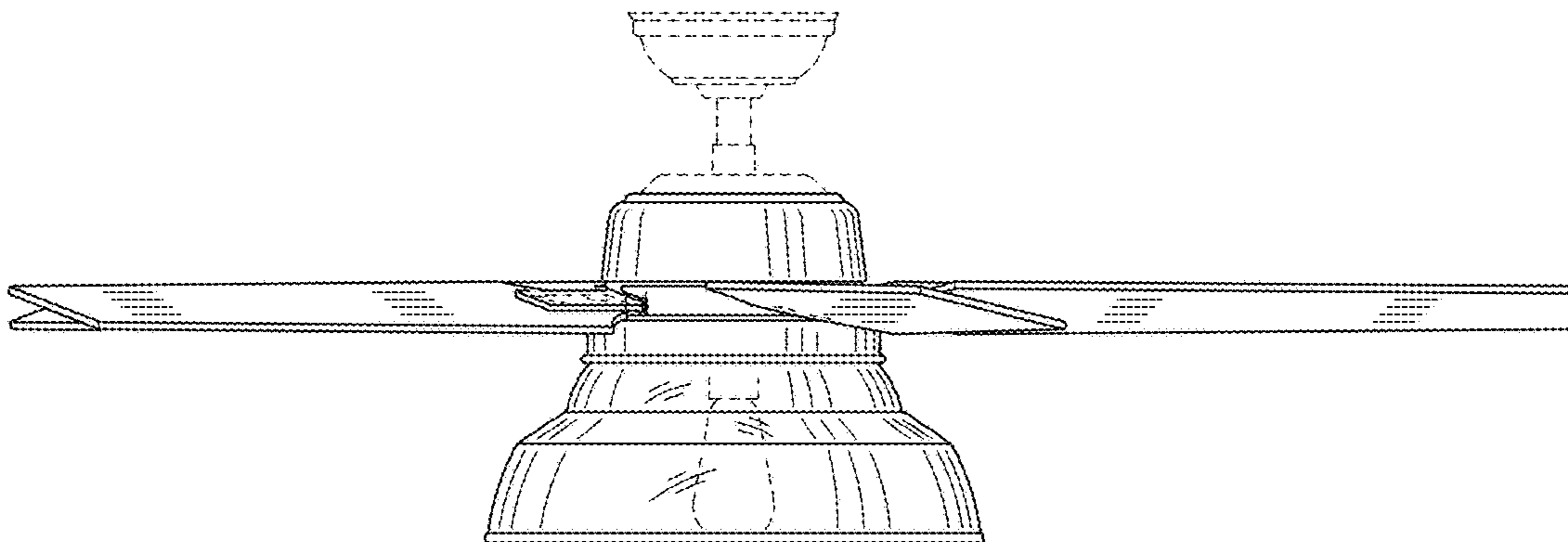


FIG. 8



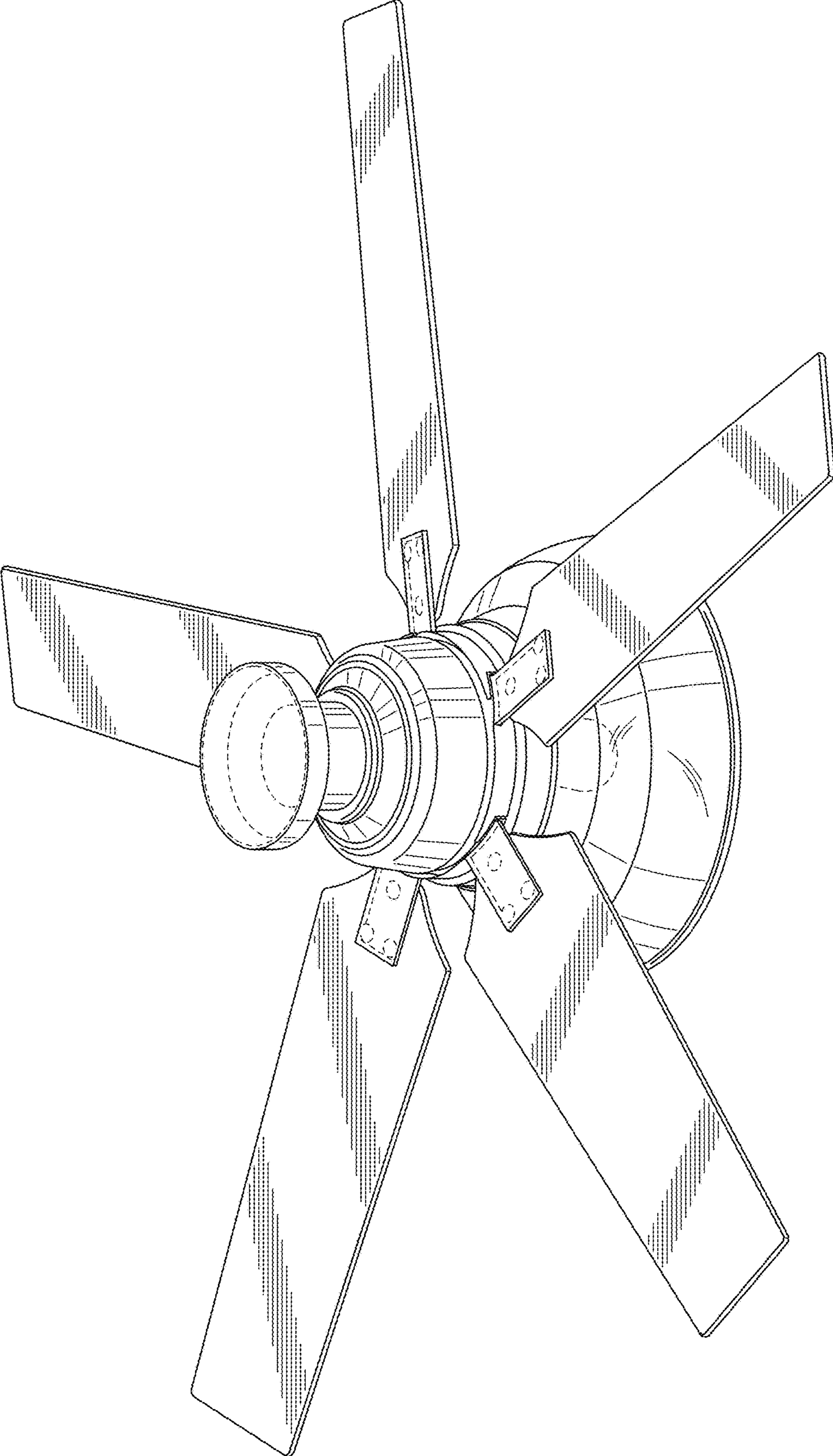


FIG.9

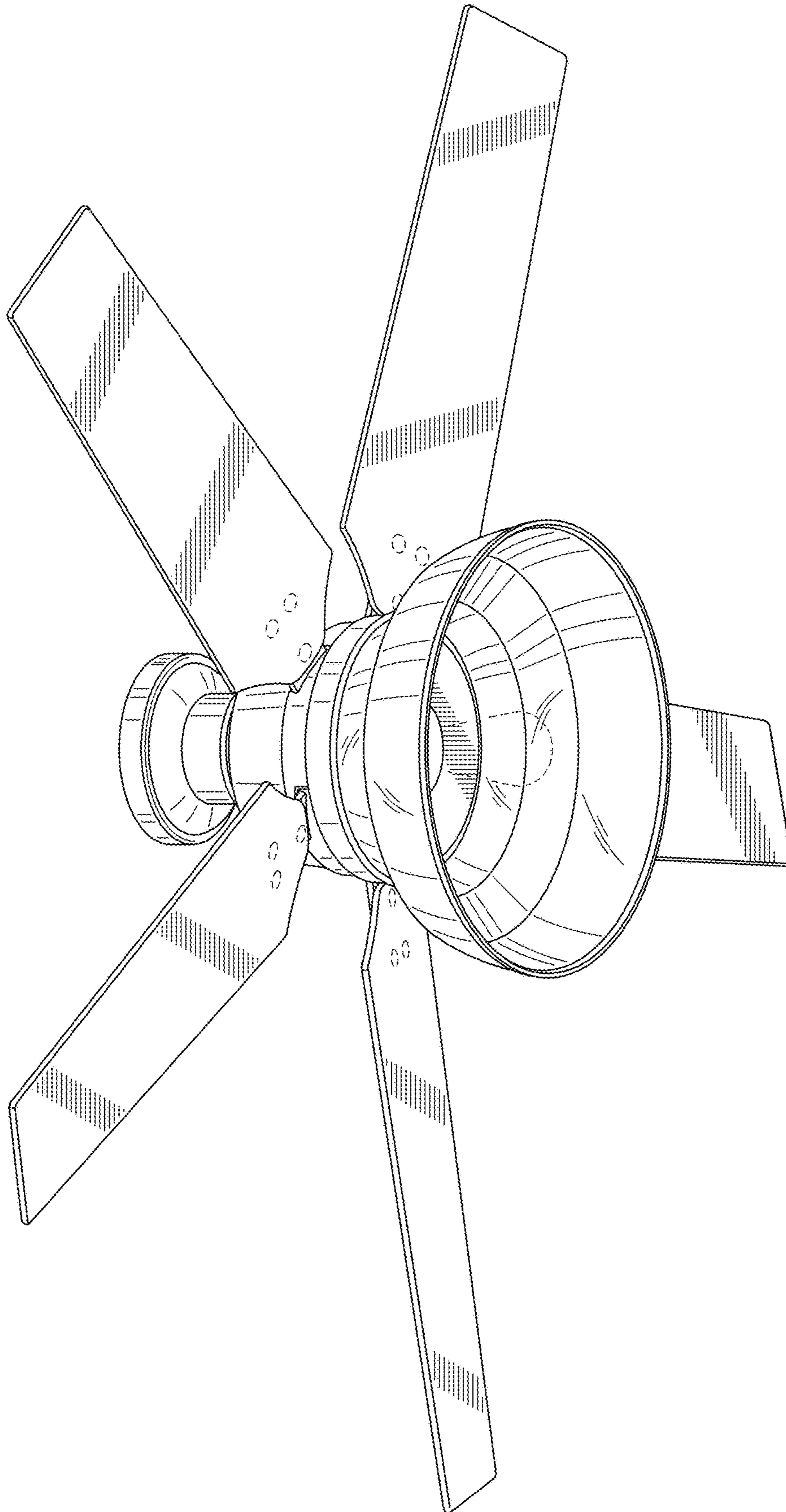


FIG.10

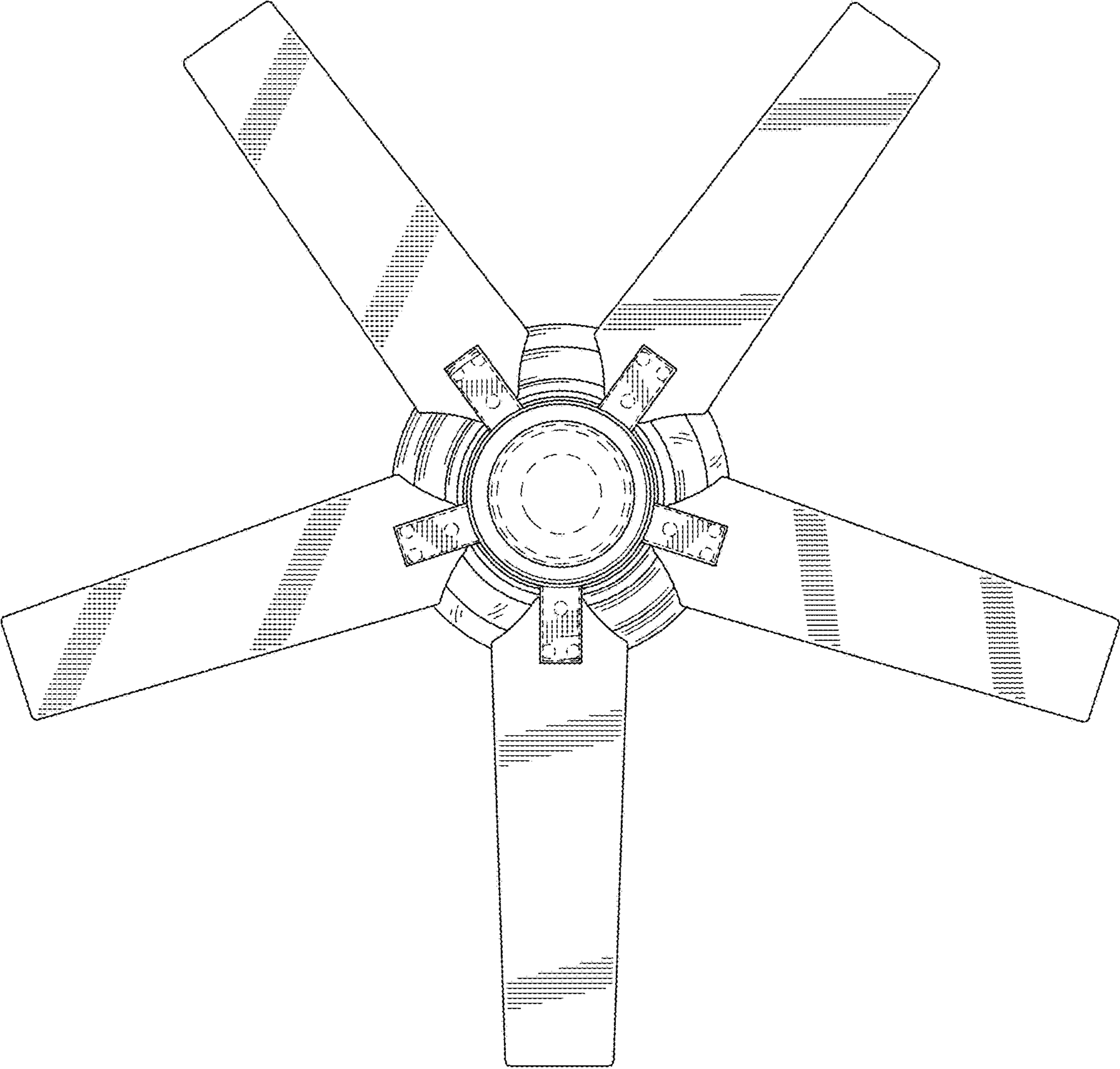


FIG. 11

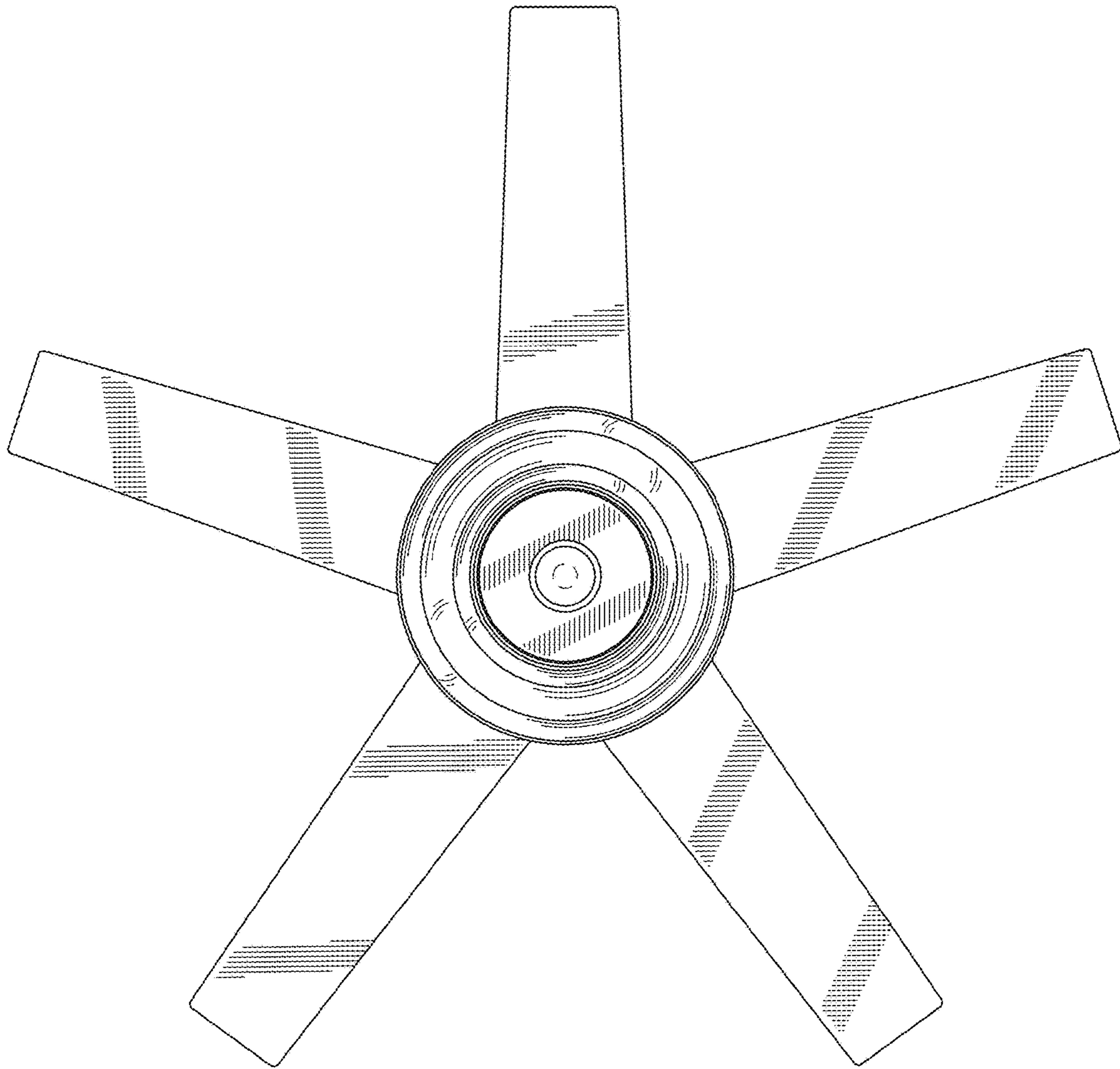


FIG.12

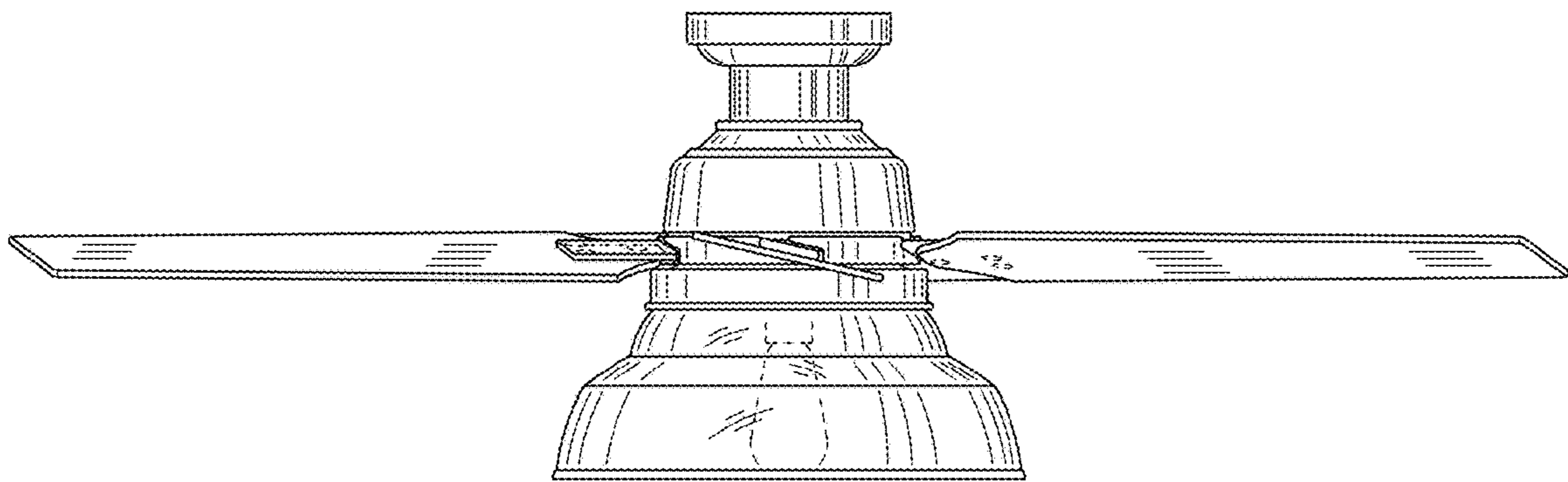


FIG. 13

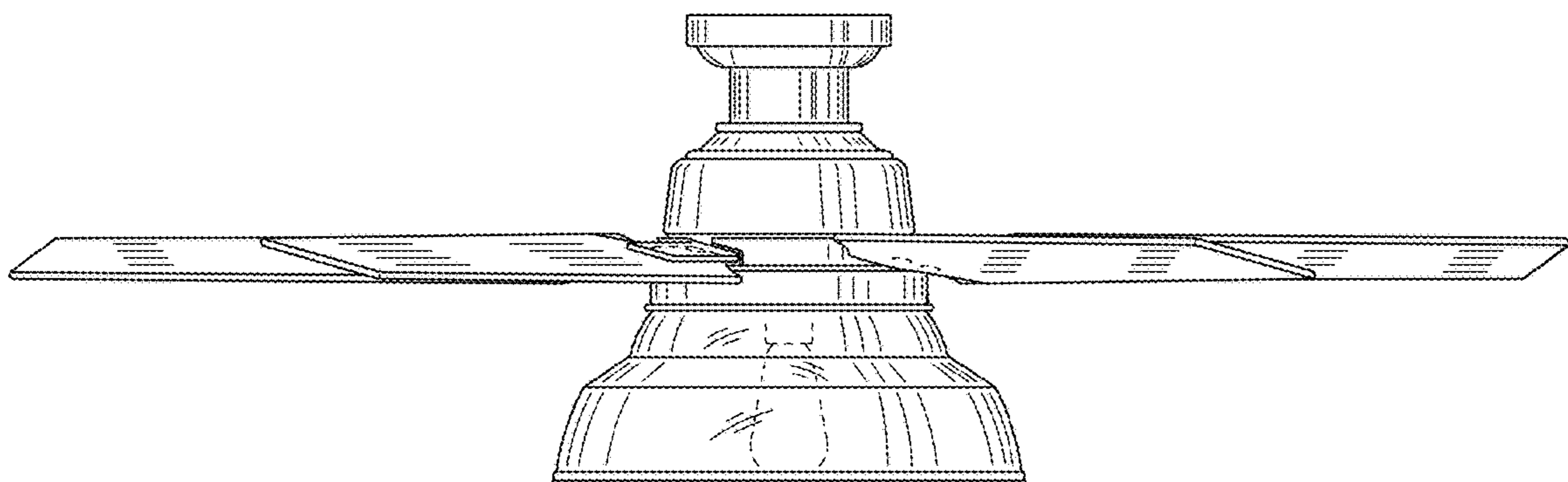


FIG. 14

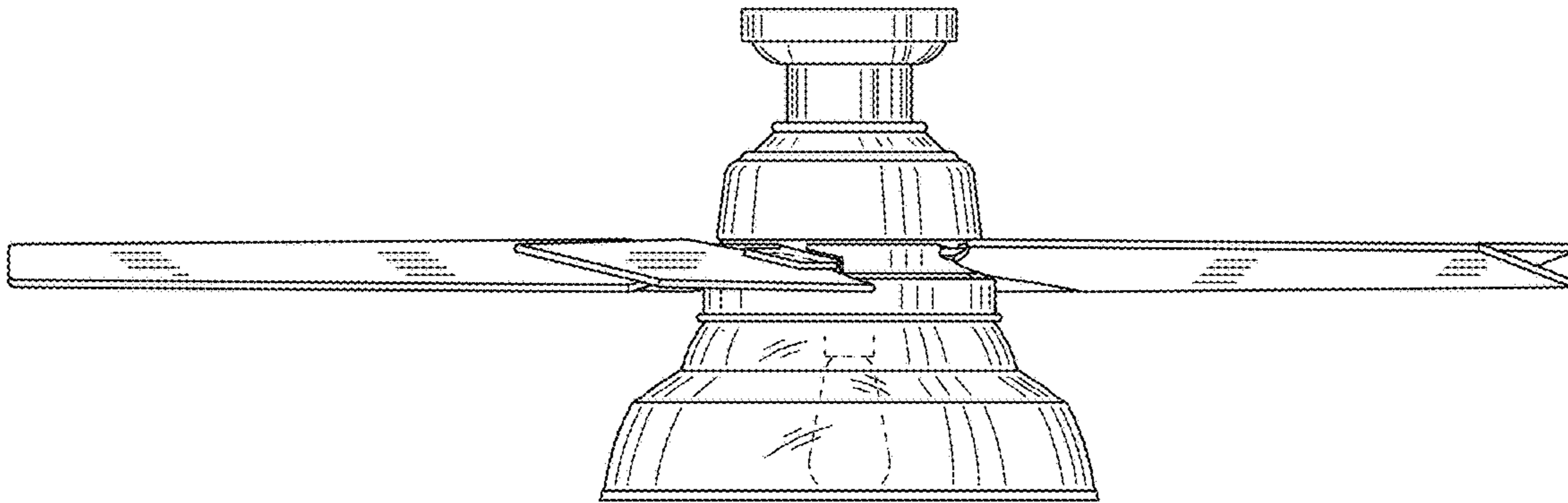


FIG. 15

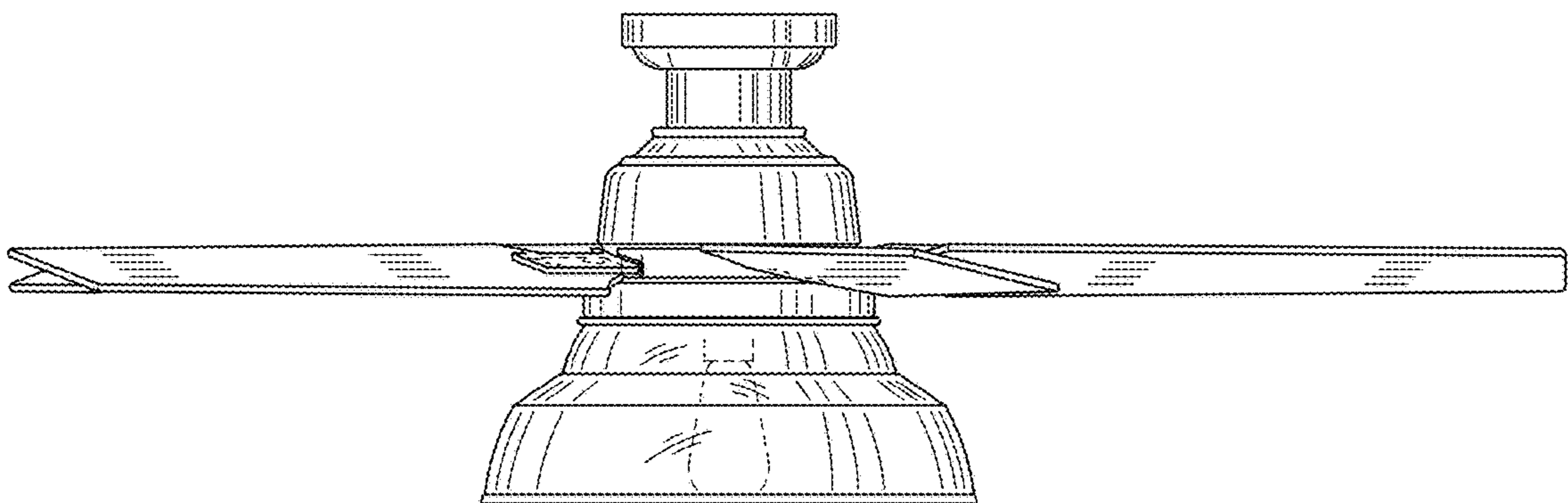


FIG. 16