



US00D807487S

(12) **United States Design Patent** (10) **Patent No.:** **US D807,487 S**
Delerue (45) **Date of Patent:** **** Jan. 9, 2018**

(54) **EXTRACTOR FAN**

(71) Applicant: **GROUPE LEADER**, Octeville sur Mer (FR)

(72) Inventor: **Thierry Delerue**, Fontaine la Mallet (FR)

(**) Term: **15 Years**

(21) Appl. No.: **35/500,777**

(22) Filed: **Feb. 29, 2016**

(80) **Hague Agreement Data**

Int. Filing Date: **Feb. 29, 2016**
Int. Reg. No.: **DM/089857**
Int. Reg. Date: **Feb. 29, 2016**
Int. Reg. Pub. Date: **Apr. 1, 2016**

(30) **Foreign Application Priority Data**

Nov. 4, 2015 (EM) 002847137-0001

(51) **LOC (11) Cl.** **23-04**

(52) **U.S. Cl.**
USPC **D23/370**

(58) **Field of Classification Search**
USPC D23/351, 352, 370, 372, 379, 381, 382, D23/411-414; 415/60, 66, 68, 213.1, 415/214.1, 218.1
CPC F04D 3/00; F04D 17/00; F04D 25/084; F04D 29/388; F04D 29/403; F04D 29/601; F04D 29/703; F04D 29/4226; H01R 13/5213

See application file for complete search history.

(56) **References Cited**

U.S. PATENT DOCUMENTS

D426,296 S *	6/2000	Blateri	D23/370
D449,373 S *	10/2001	Pinchuk	D23/382
D546,933 S *	7/2007	Chen	D23/382
D564,084 S *	3/2008	Chen	D23/382
D674,476 S *	1/2013	Junkel	D23/370
D674,888 S *	1/2013	Kawase	D23/370
D684,249 S *	6/2013	Herbst	D23/370
D721,431 S *	1/2015	Herbst	D23/382
D779,049 S *	2/2017	Wang	D23/370

* cited by examiner

Primary Examiner — Keli L Hill

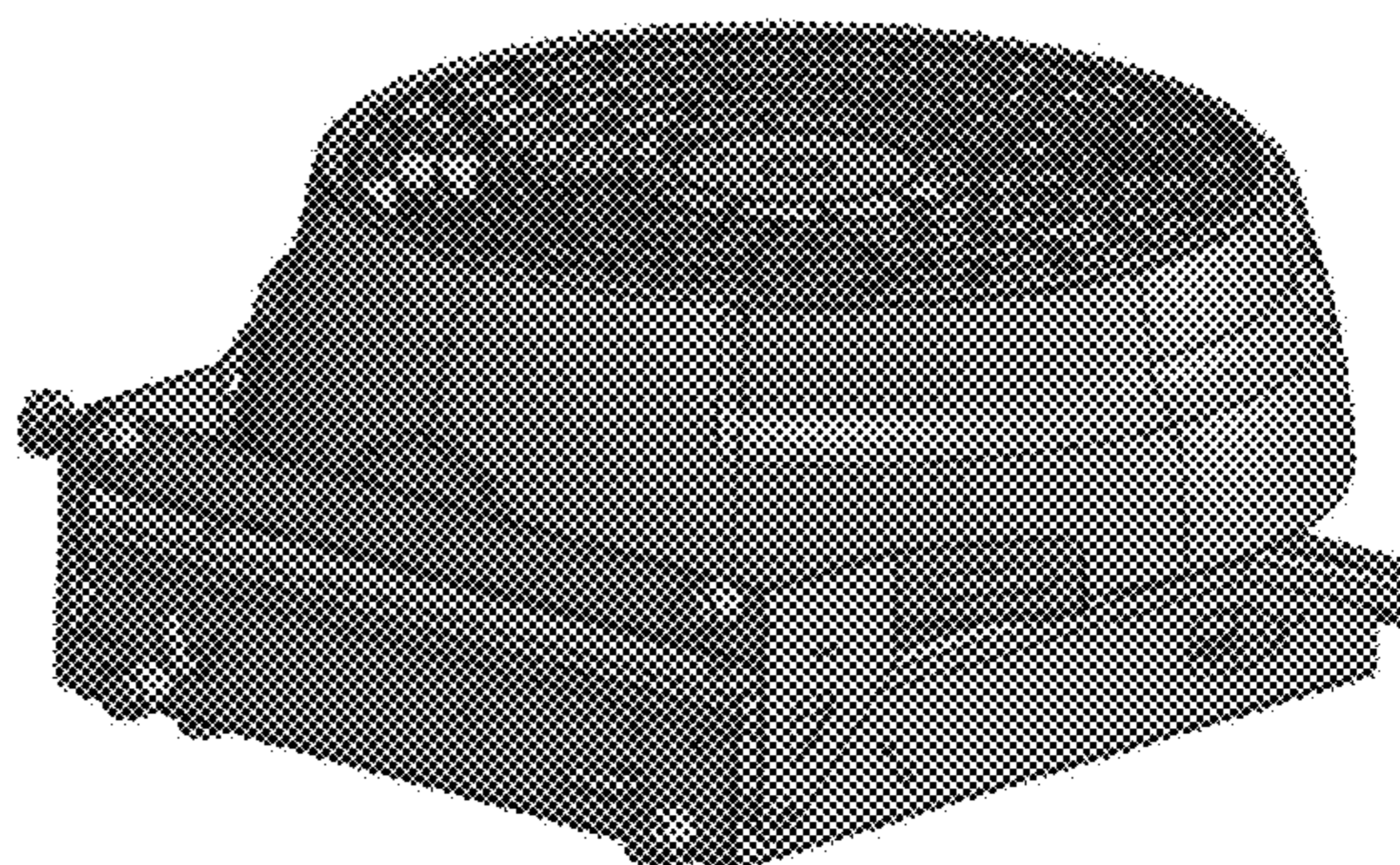
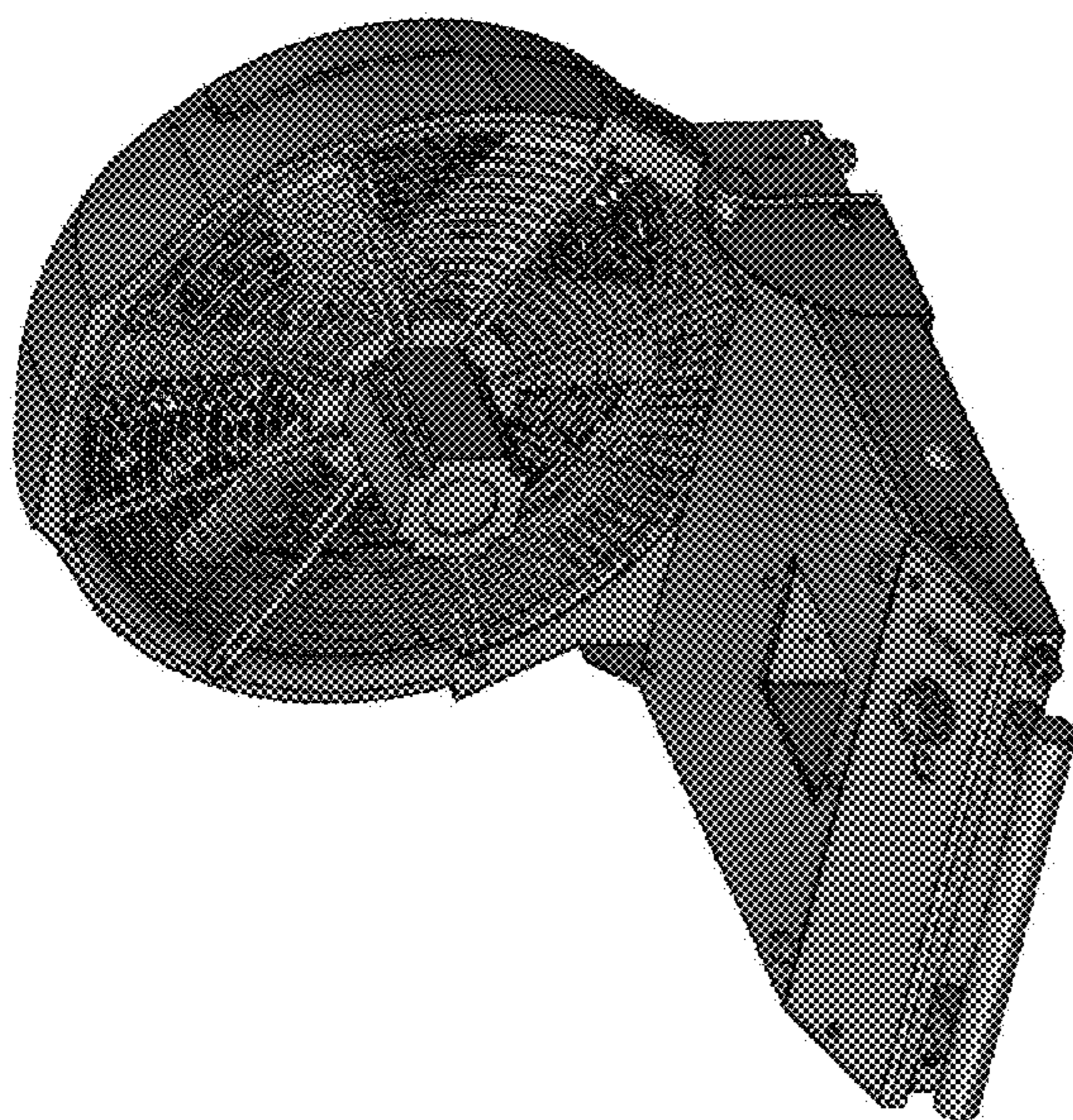
(57) **CLAIM**

The ornamental design for an extractor fan, as shown and described.

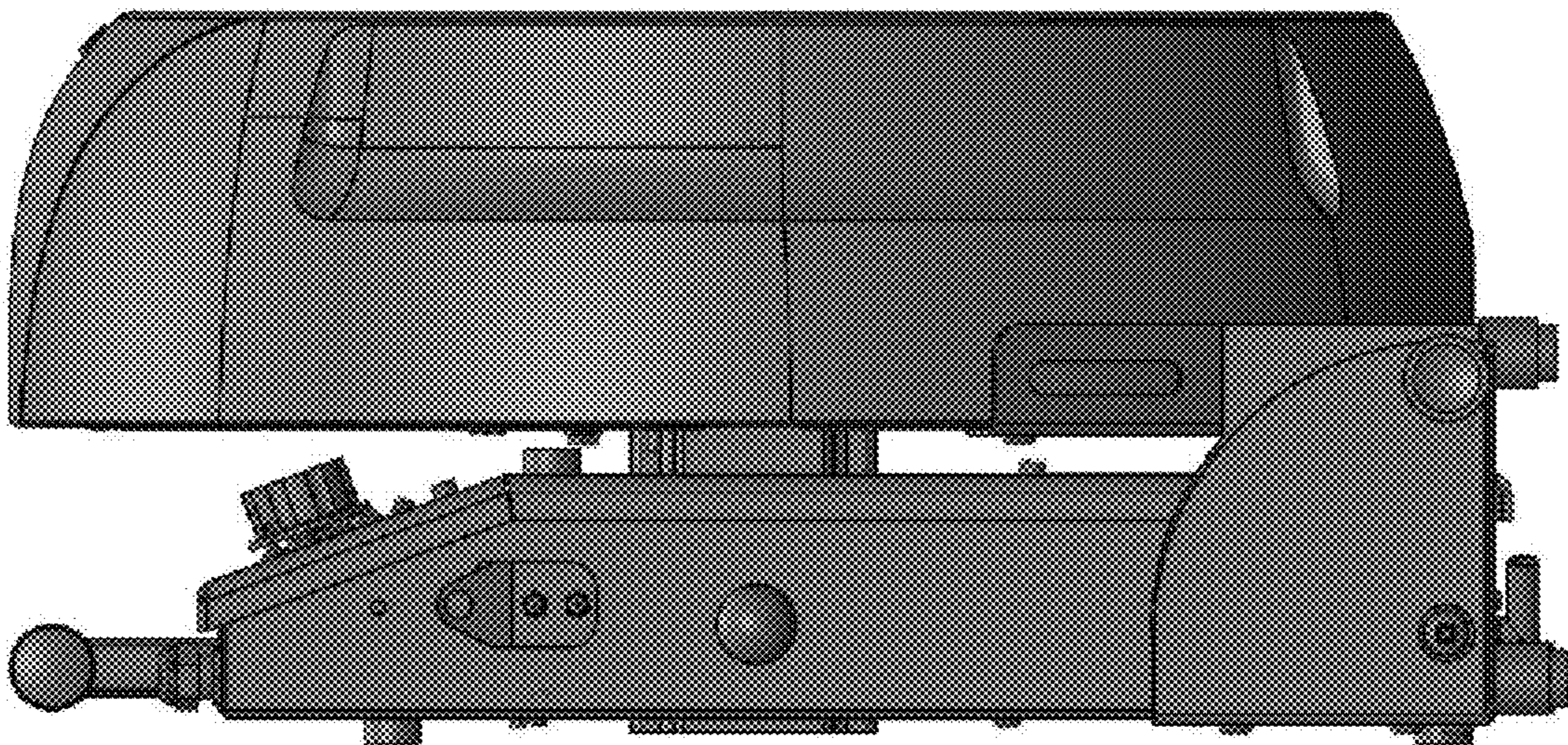
DESCRIPTION

- 1. Extractor fan
- 1.1 : Right
- 1.2 : Bottom
- 1.3 : Left
- 1.4 : Front
- 1.5 : Perspective
- 1.6 : Back
- 1.7 : Top

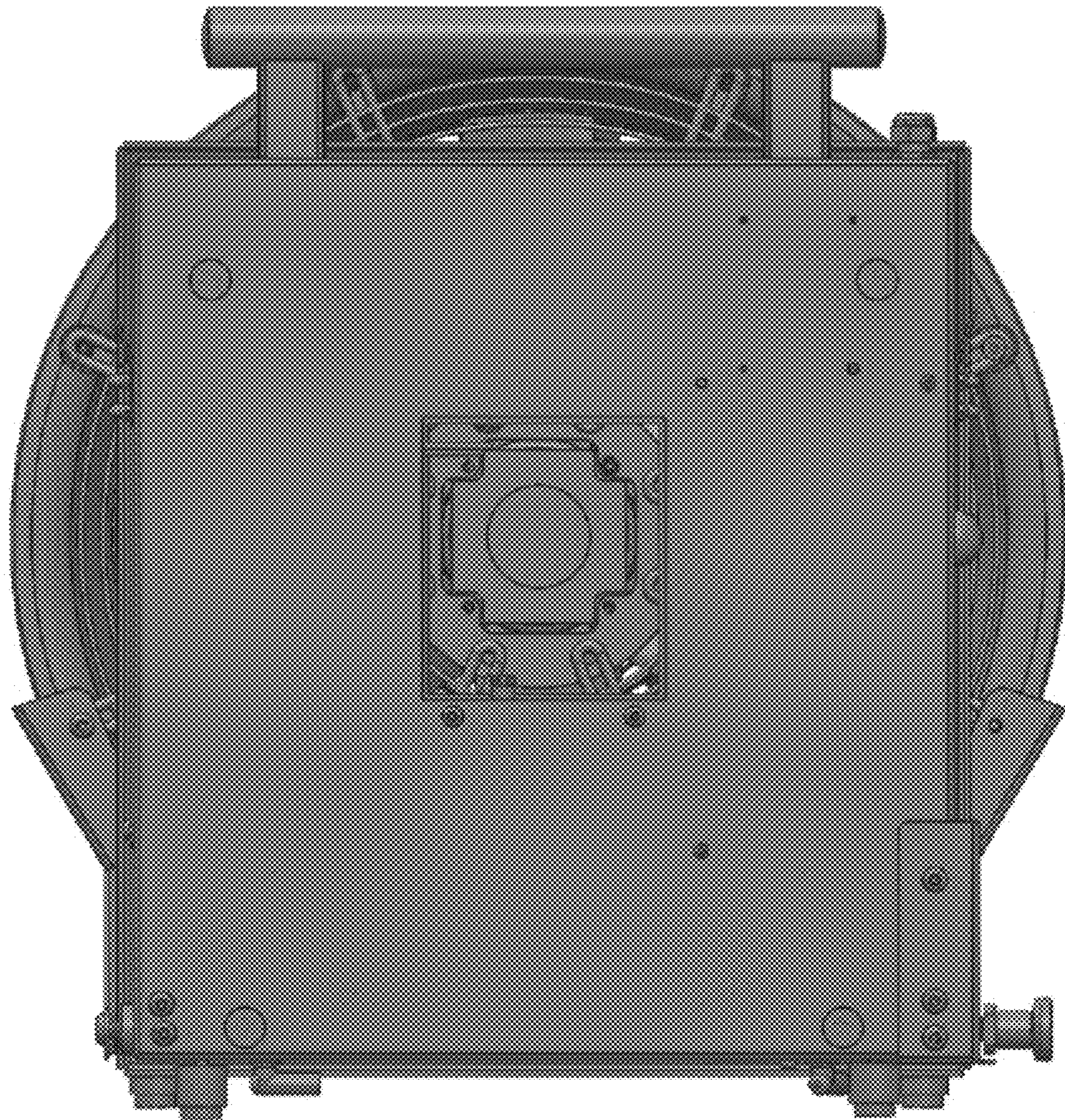
1 Claim, 7 Drawing Sheets



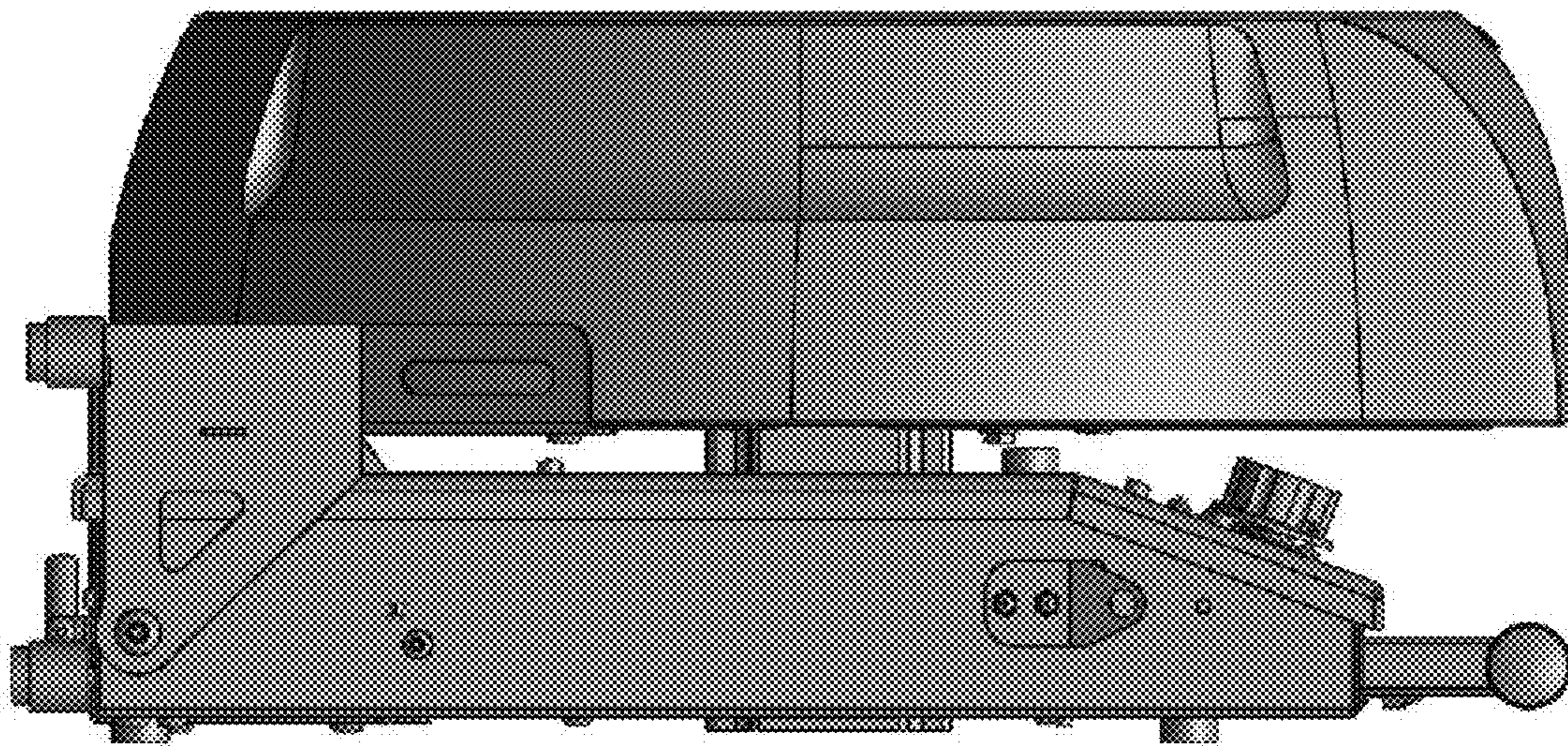
1.1



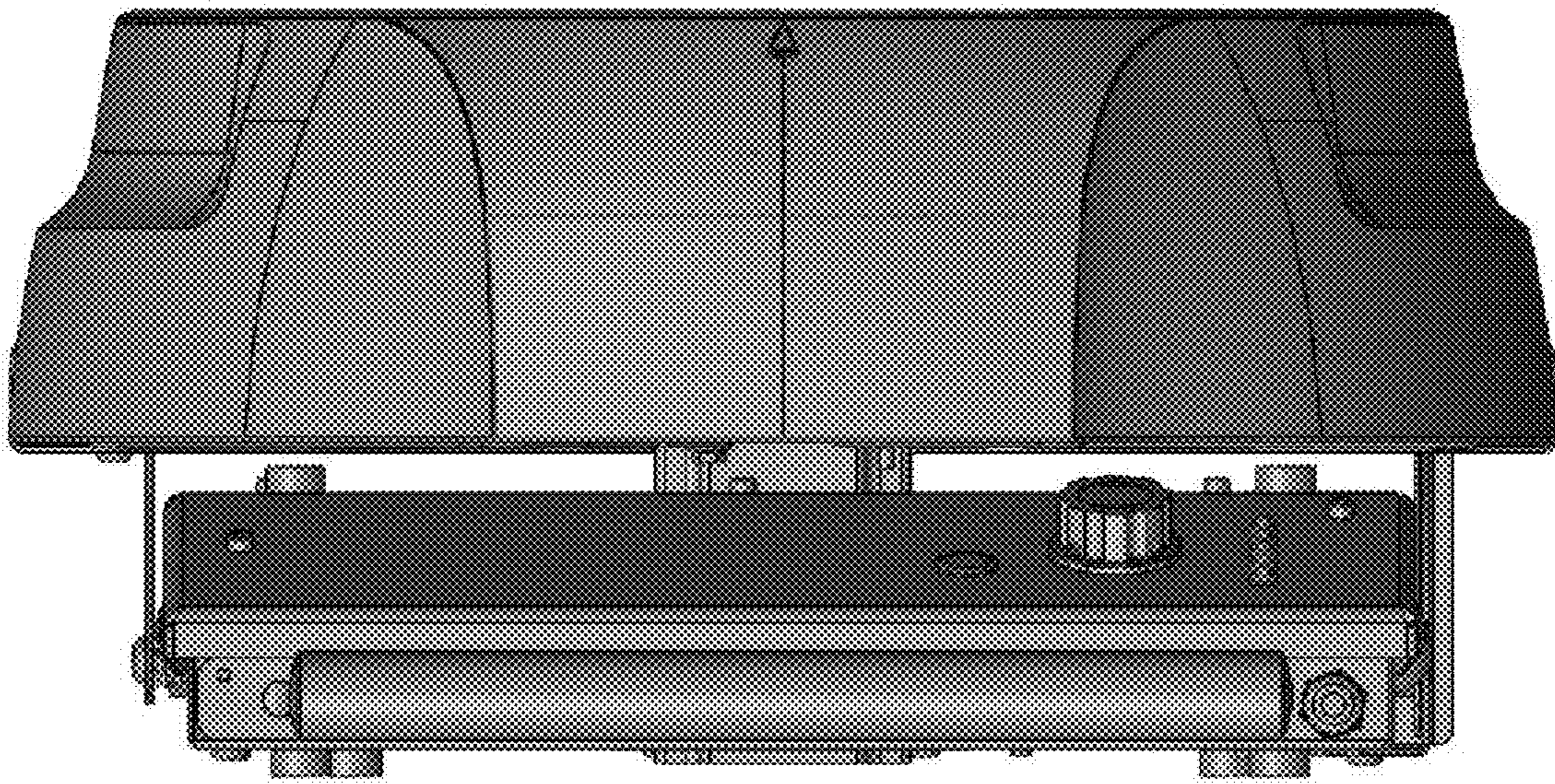
1.2



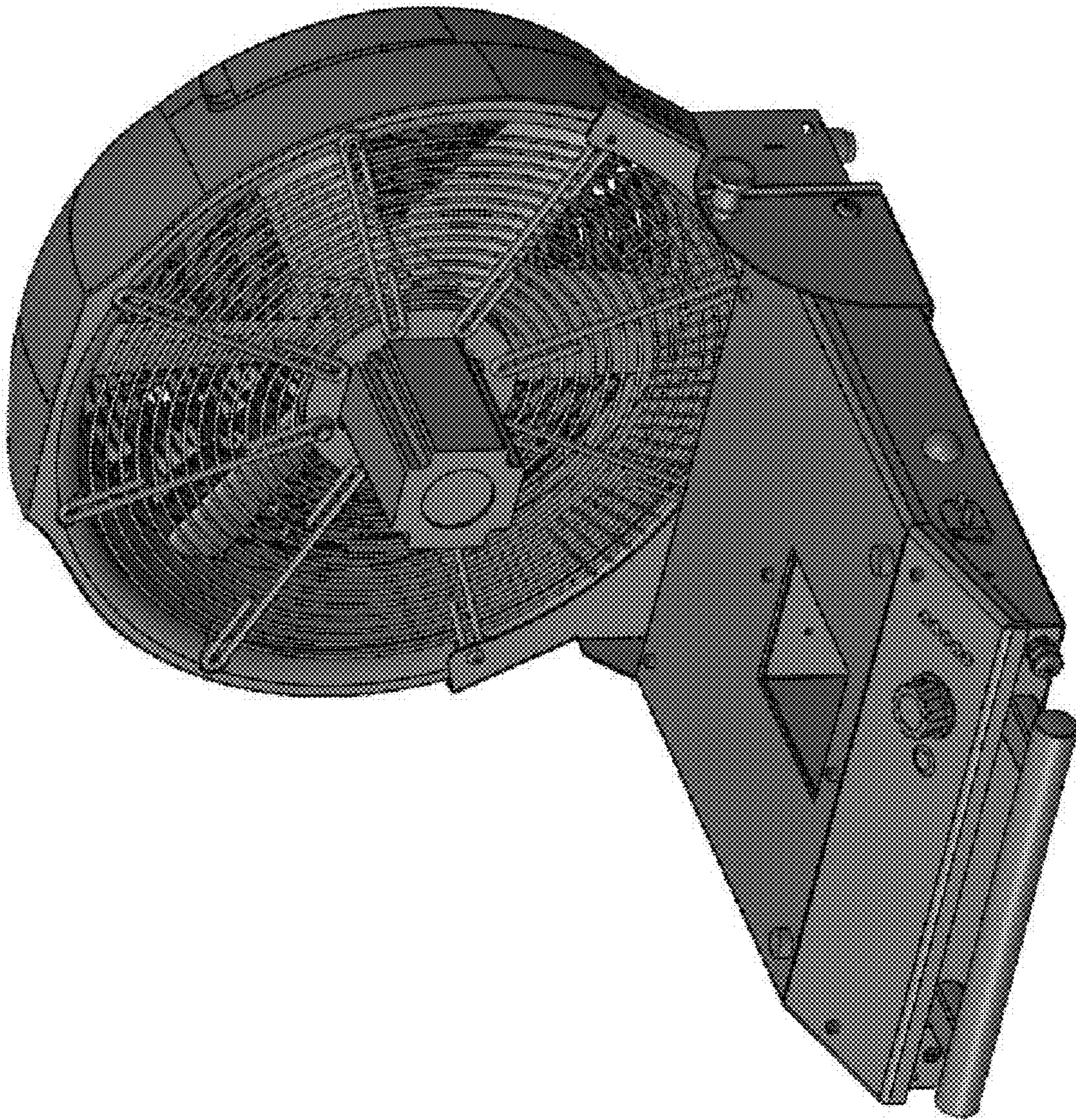
1.3



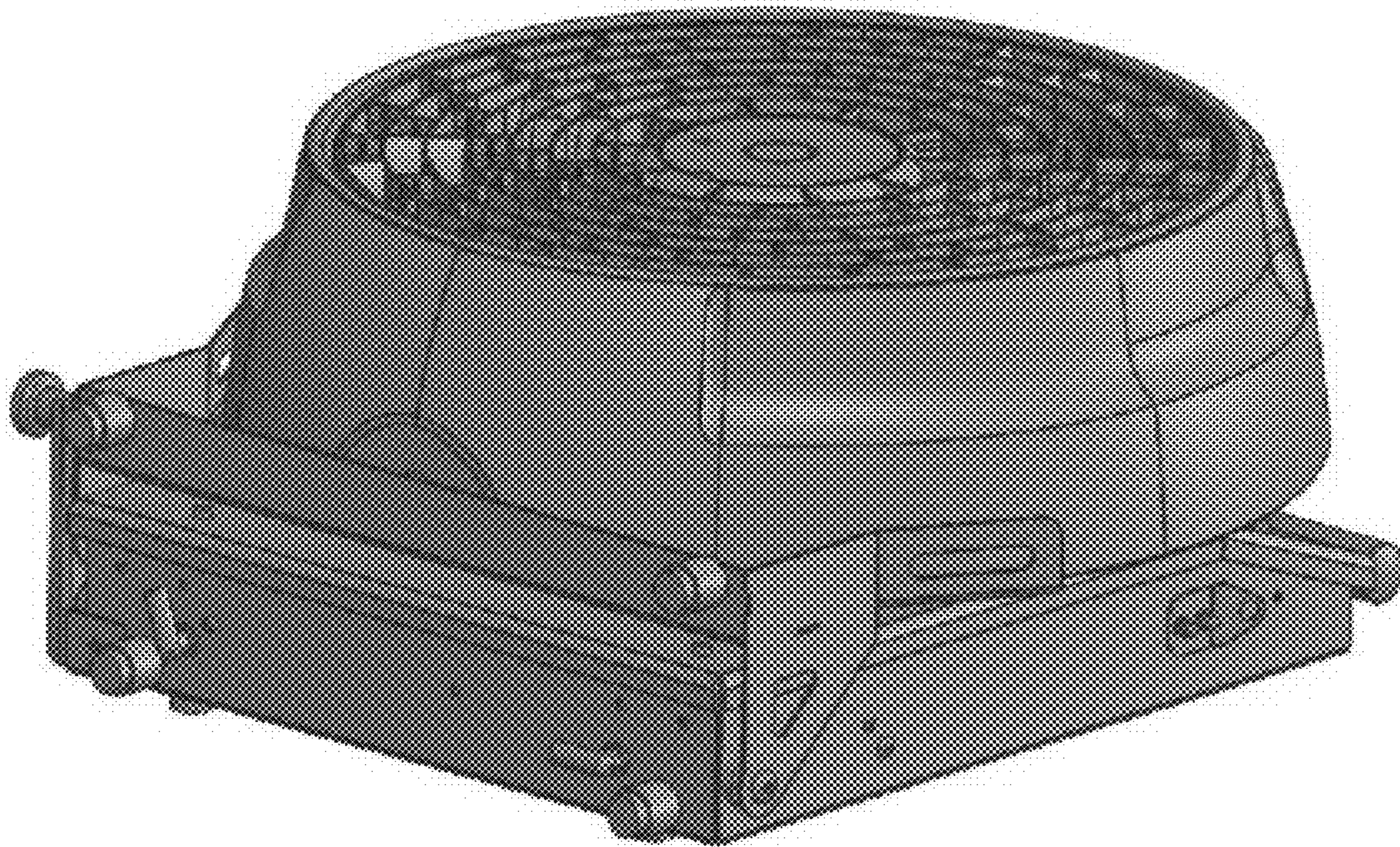
1.4



1.5



1.6



1.7

