



US00D807485S

(12) **United States Design Patent** (10) **Patent No.:** **US D807,485 S**
Bishop et al. (45) **Date of Patent:** **** Jan. 9, 2018**

(54) **INTEGRAL TERRARIUM AND FLAMELESS SCENT WARMER**

D612,924 S * 3/2010 Jorgensen D23/366
8,866,056 B2 * 10/2014 Shapiro B65D 1/34
219/735
2004/0261580 A1 * 12/2004 Carmo B67B 7/18
81/3.43

(71) Applicant: **Scentsy, Inc.**, Meridian, ID (US)

(Continued)

(72) Inventors: **Darin Bishop**, Meridian, ID (US);
Travis Dean, Meridian, ID (US);
Martin Stenger, Boise, ID (US);
Joseph B. Mason, Nampa, ID (US);
Mark Sullivan, Sandy, UT (US)

OTHER PUBLICATIONS

Scentsy Make a Scene Terrarium Warmer found online [Jun. 27, 2017]—<http://scentsoilswarmers.com/scentsy-make-scene-terrarium-warmer/>.*

(73) Assignee: **Scentsy, Inc.**, Meridian, ID (US)

Primary Examiner — Robert M Spear

(**) Term: **15 Years**

Assistant Examiner — John Voytek

(21) Appl. No.: **29/574,125**

(74) *Attorney, Agent, or Firm* — TraskBritt

(22) Filed: **Aug. 12, 2016**

(57) **CLAIM**

(51) **LOC (11) Cl.** **28-99**

The ornamental designs for an integral terrarium and flameless scent warmer, as shown and described.

(52) **U.S. Cl.**

USPC **D23/366; D30/104**

(58) **Field of Classification Search**

USPC D11/131.1; D23/300, 314, 325, 332–336,
D23/342, 351, 352, 355–369, 370,
D23/386–388; D9/544, 547, 570, 738,
D9/749, 752; D7/391; D30/104
CPC . A24F 15/18; A61L 9/03; A61L 9/122; F21V
33/0012; F22B 1/284; A01G 9/02; B65D
43/0202

DESCRIPTION

See application file for complete search history.

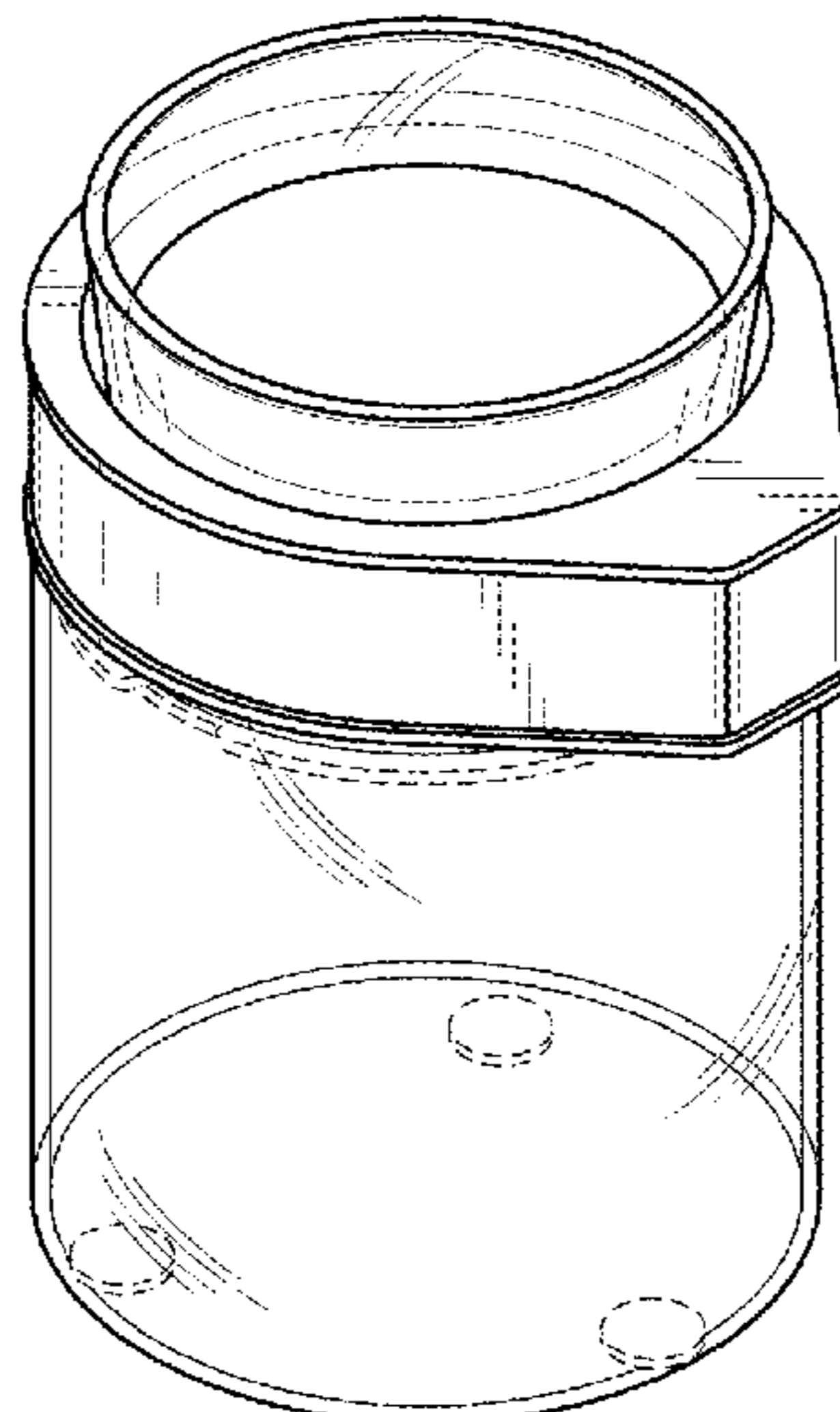
FIG. 1 is a perspective view of an embodiment of an integral terrarium and flameless scent warmer showing our new design;
FIG. 2 is a front view of the integral terrarium and flameless scent warmer shown in FIG. 1;
FIG. 3 is a rear view of the integral terrarium and flameless scent warmer shown in FIG. 1;
FIG. 4 is a first side view of the integral terrarium and flameless scent warmer shown in FIG. 1;
FIG. 5 is a second side view of the integral terrarium and flameless scent warmer shown in FIG. 1;
FIG. 6 is a top view of the integral terrarium and flameless scent warmer shown in FIG. 1; and,
FIG. 7 is a bottom view of the integral terrarium and flameless scent warmer shown in FIG. 1.
The broken lines in FIGS. 1-21 are for environmental purposes only and do not form any part of the claimed design.

(56) **References Cited**

U.S. PATENT DOCUMENTS

D213,703 S * 4/1969 Rice D30/104
D246,029 S * 10/1977 Lynn D9/780
5,181,615 A * 1/1993 Thompson B29C 57/12
156/69
5,682,706 A * 11/1997 Altenburg A01M 1/02
43/107
5,738,242 A * 4/1998 Paris B65D 51/246
220/735
D405,609 S * 2/1999 Fu D3/302
D434,843 S * 12/2000 Zaragoza D23/366

1 Claim, 2 Drawing Sheets



(56)

References Cited

U.S. PATENT DOCUMENTS

2007/0031769 A1* 2/2007 Burton F23Q 25/00
431/144
2008/0078328 A1* 4/2008 Orup A01K 5/00
119/51.01
2017/0079217 A1* 3/2017 Zappia A01G 9/02

* cited by examiner

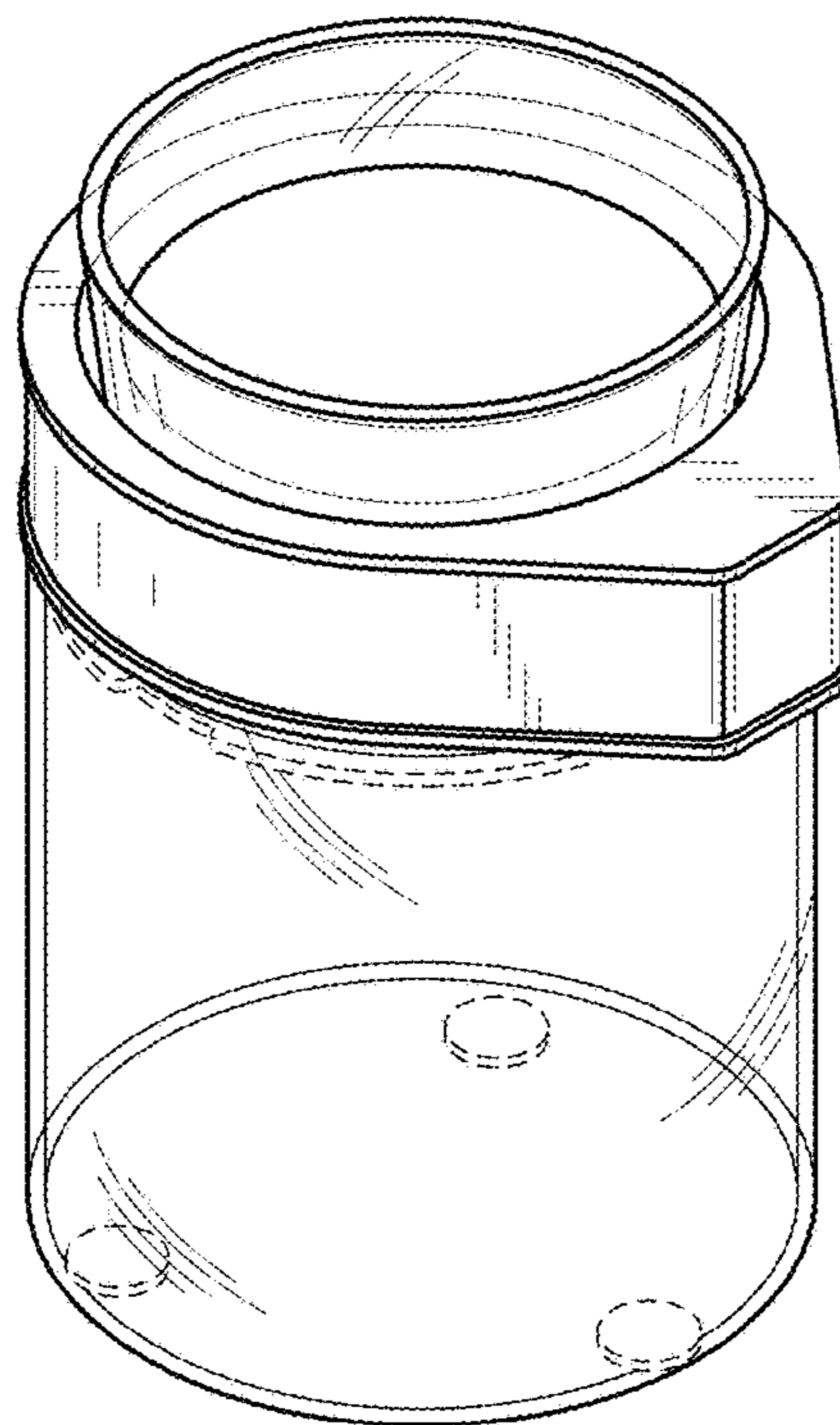


FIG. 1

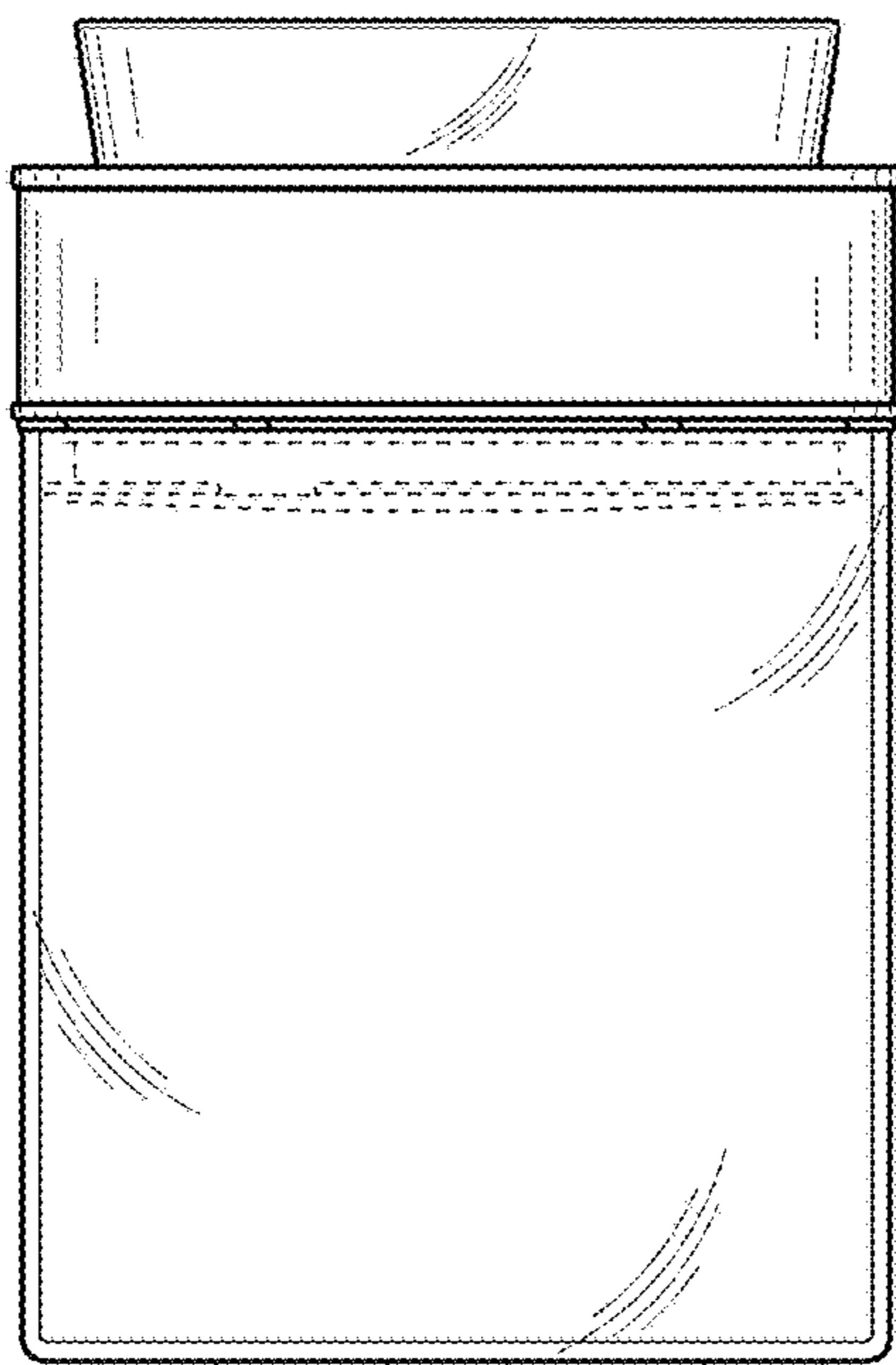


FIG. 2

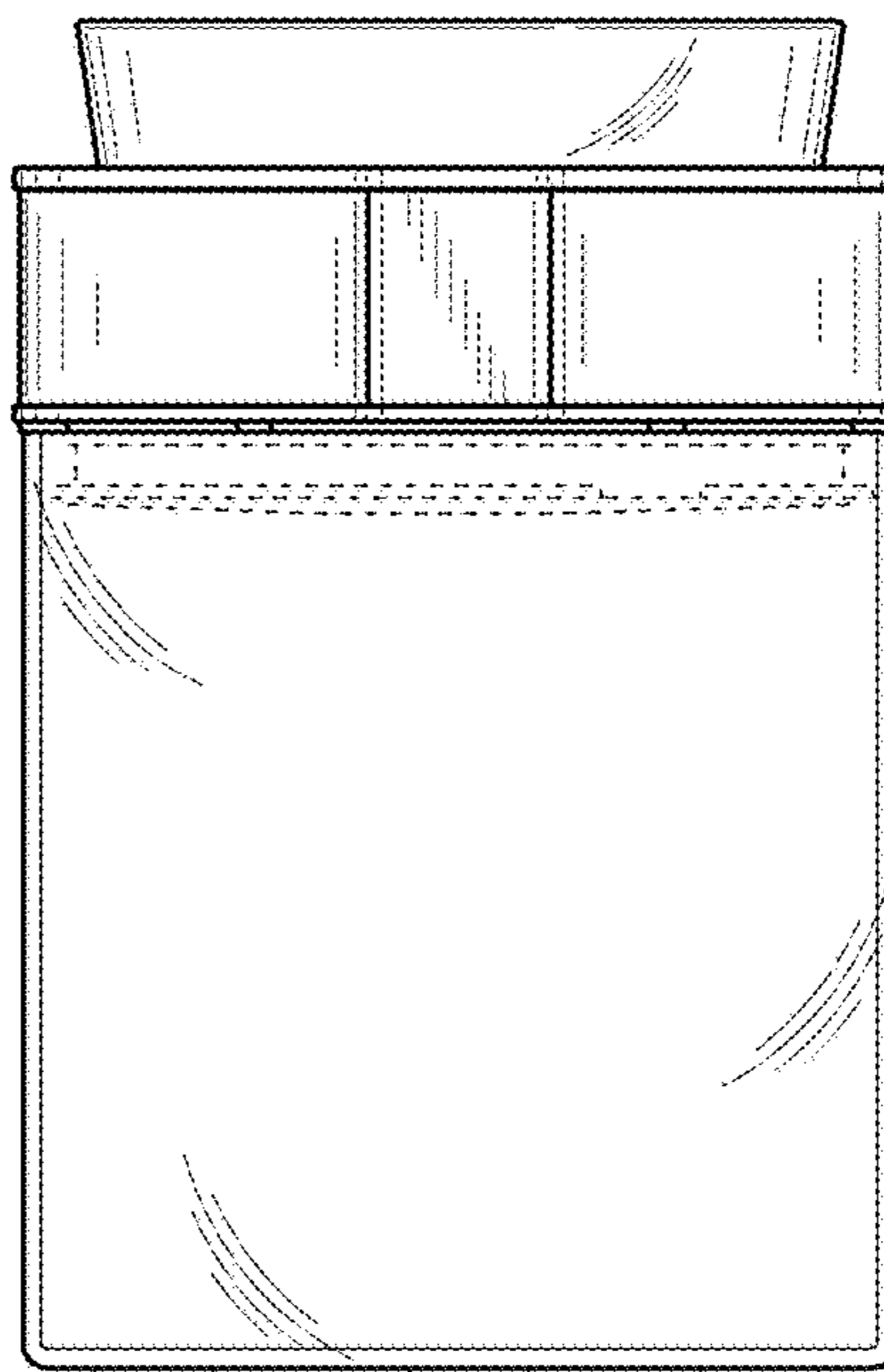


FIG. 3

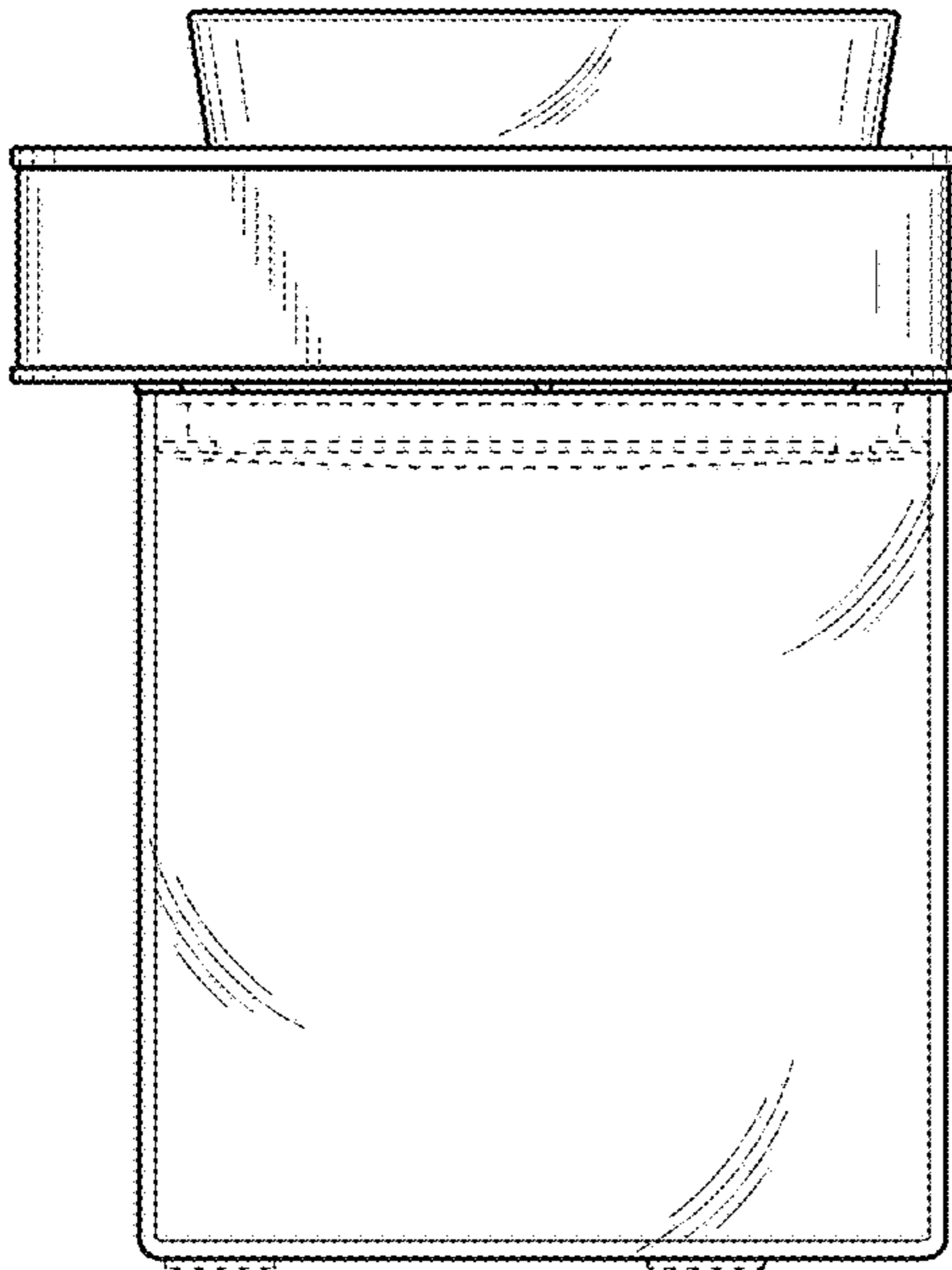


FIG. 4

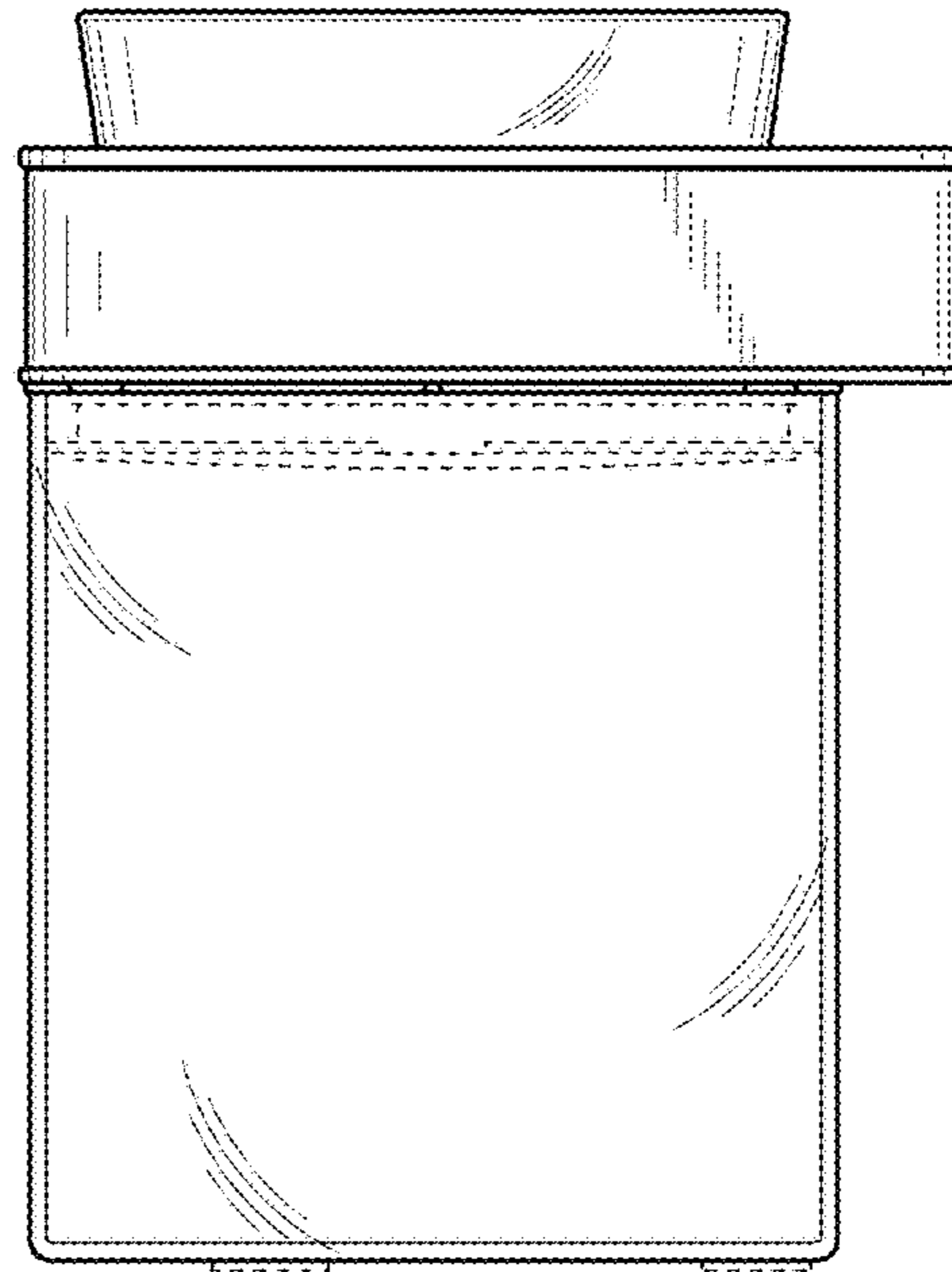


FIG. 5

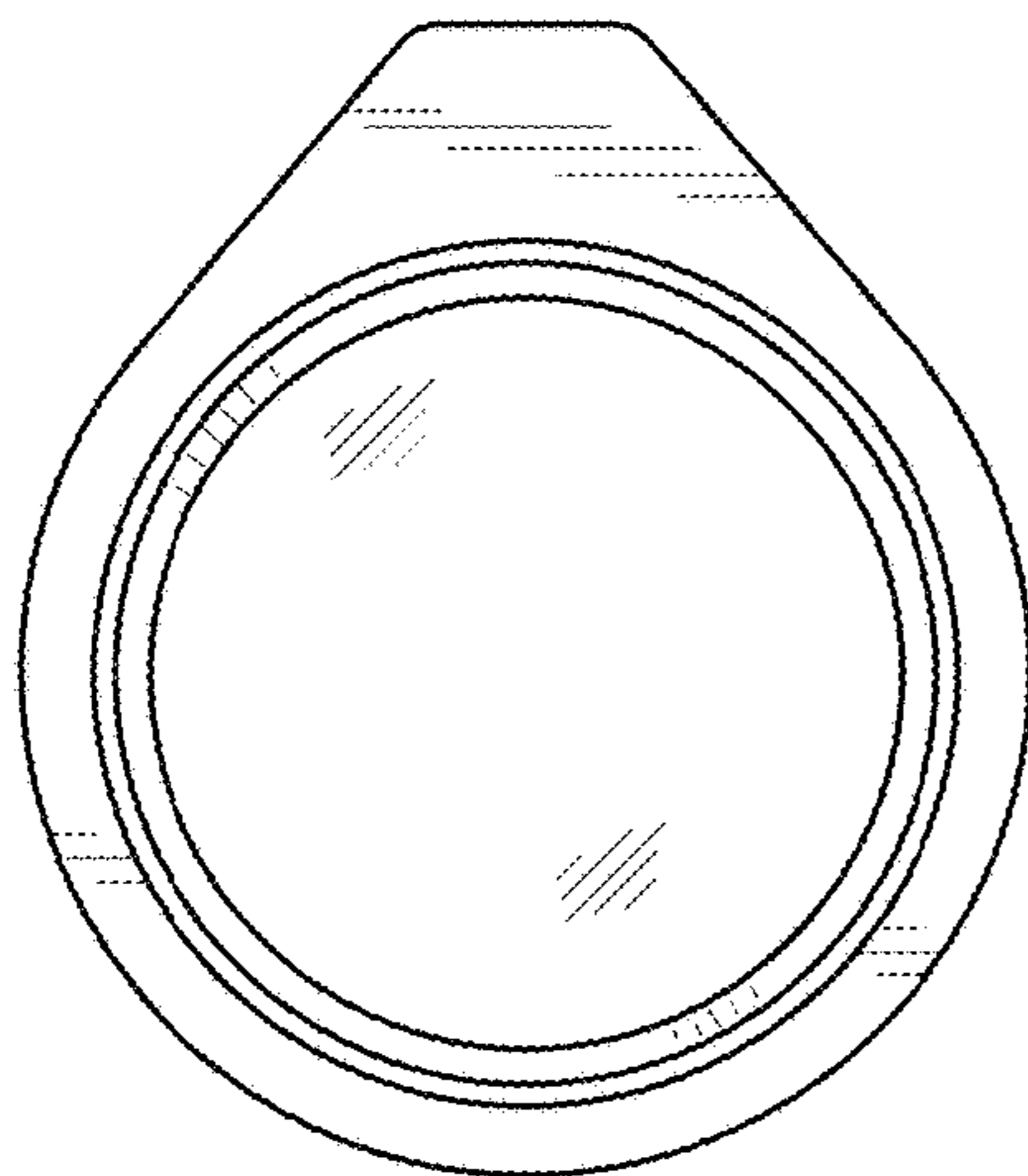


FIG. 6

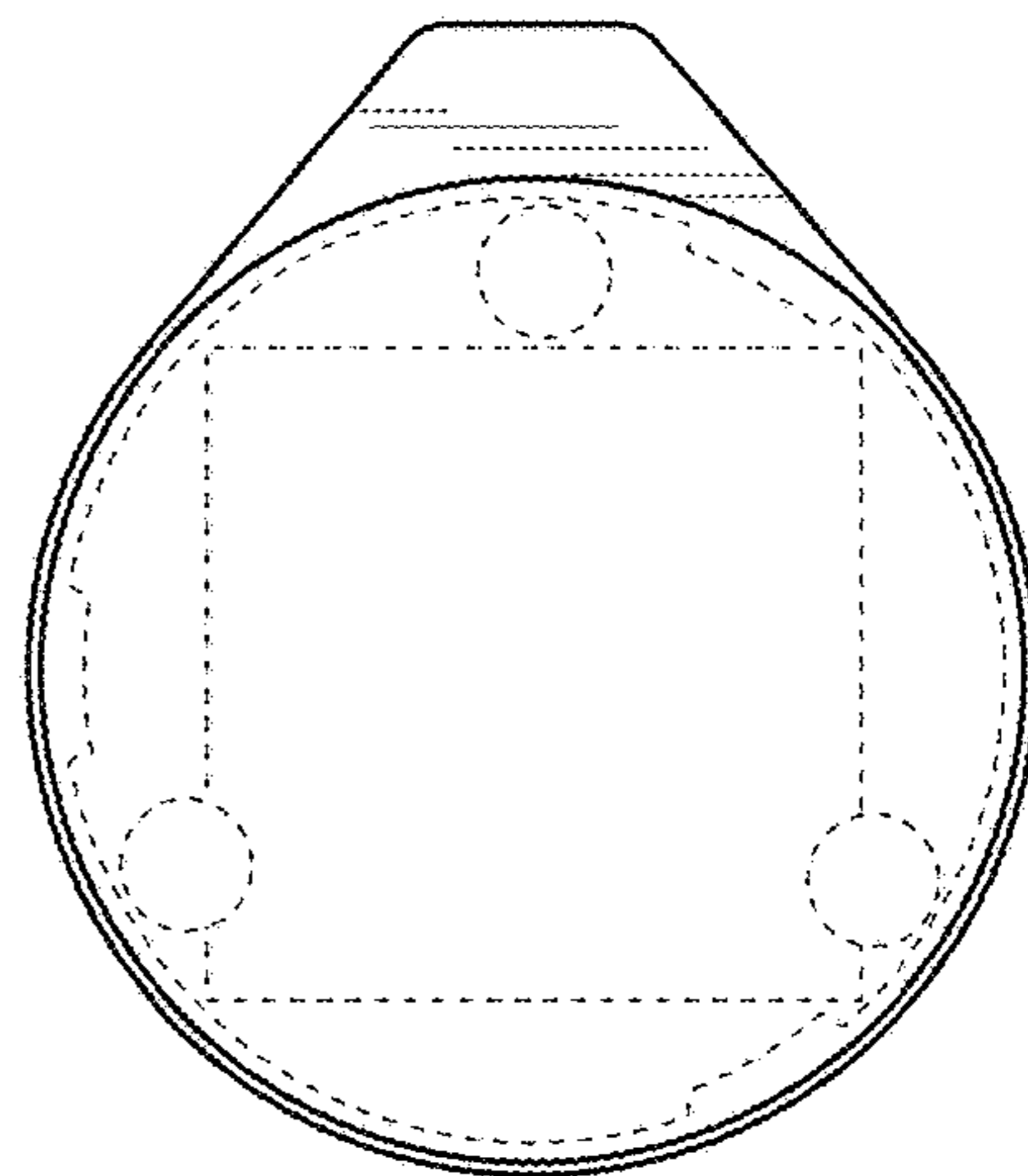


FIG. 7

UNITED STATES PATENT AND TRADEMARK OFFICE
CERTIFICATE OF CORRECTION

PATENT NO. : D807,485 S
APPLICATION NO. : 29/574125
DATED : January 9, 2018
INVENTOR(S) : Darin Bishop et al.

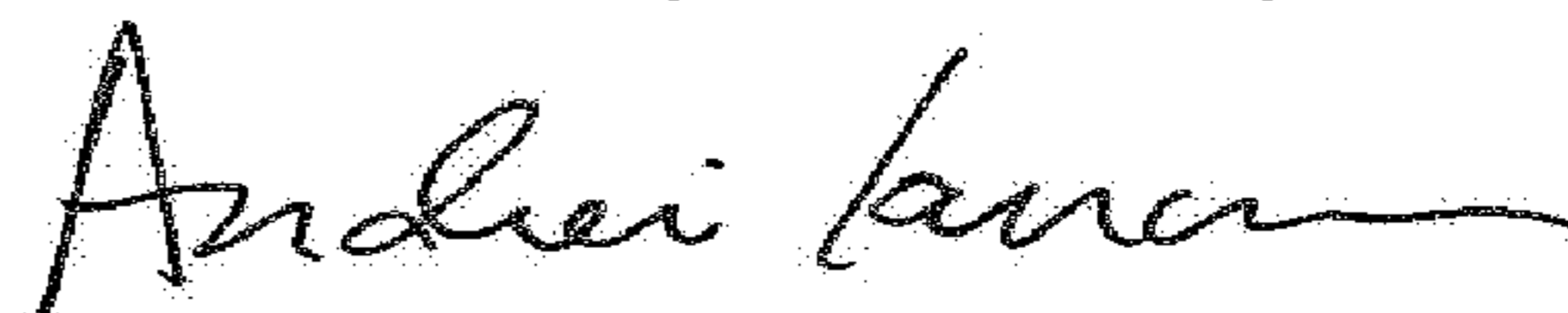
Page 1 of 1

It is certified that error appears in the above-identified patent and that said Letters Patent is hereby corrected as shown below:

On the Title Page

In DESCRIPTION (Line 16): change "in FIGS. 1-21 are" to --in FIGS. 1-7 are--

Signed and Sealed this
Twentieth Day of February, 2018



Andrei Iancu
Director of the United States Patent and Trademark Office